



US00D945846S

(12) **United States Design Patent**  
**Sato**

(10) **Patent No.:** **US D945,846 S**  
(45) **Date of Patent:** **\*\* Mar. 15, 2022**

- (54) **STAPLER**
- (71) Applicant: **MAX CO., LTD.**, Tokyo (JP)
- (72) Inventor: **Masaki Sato**, Tokyo (JP)
- (73) Assignee: **MAX CO., LTD.**, Tokyo (JP)
- (\*\*) Term: **15 Years**
- (21) Appl. No.: **29/741,709**
- (22) Filed: **Jul. 15, 2020**
- (51) **LOC (13) Cl.** ..... **19-02**
- (52) **U.S. Cl.**  
USPC ..... **D8/50; D8/49**
- (58) **Field of Classification Search**  
USPC ..... D8/49, 50, 61, 68, 69; D19/72, 73, 65,  
D19/69; D21/532; D24/145; 7/158,  
7/160; 227/4, 5, 6, 7, 8, 120, 127, 128,  
227/131, 132, 134, 144, 156, 175.1;  
606/139, 143, 153, 219  
CPC ..... B25C 5/0228; B25C 5/15  
See application file for complete search history.

(56) **References Cited**

**U.S. PATENT DOCUMENTS**

D441,796 S	*	5/2001	Chan	.....	D19/73
D512,290 S	*	12/2005	Adams	.....	D19/72
D512,461 S	*	12/2005	Tsuruha	.....	D19/73
D512,616 S	*	12/2005	Harris	.....	D19/72
D512,617 S	*	12/2005	Adams	.....	D19/72

D512,890 S	*	12/2005	Harris	.....	D19/72
D514,410 S	*	2/2006	Adams	.....	D8/49
D515,893 S	*	2/2006	Adams	.....	D8/49
D516,888 S	*	3/2006	Harris	.....	D19/72
D522,825 S	*	6/2006	Adams	.....	D8/49
D535,168 S	*	1/2007	Hattori	.....	D8/50
D913,065 S	*	3/2021	Chan	.....	D8/50
2002/0166884 A1	*	11/2002	Luo	.....	B25C 5/0228 227/131

\* cited by examiner

*Primary Examiner* — Austin Murphy

(74) *Attorney, Agent, or Firm* — Weihrouch IP

(57) **CLAIM**

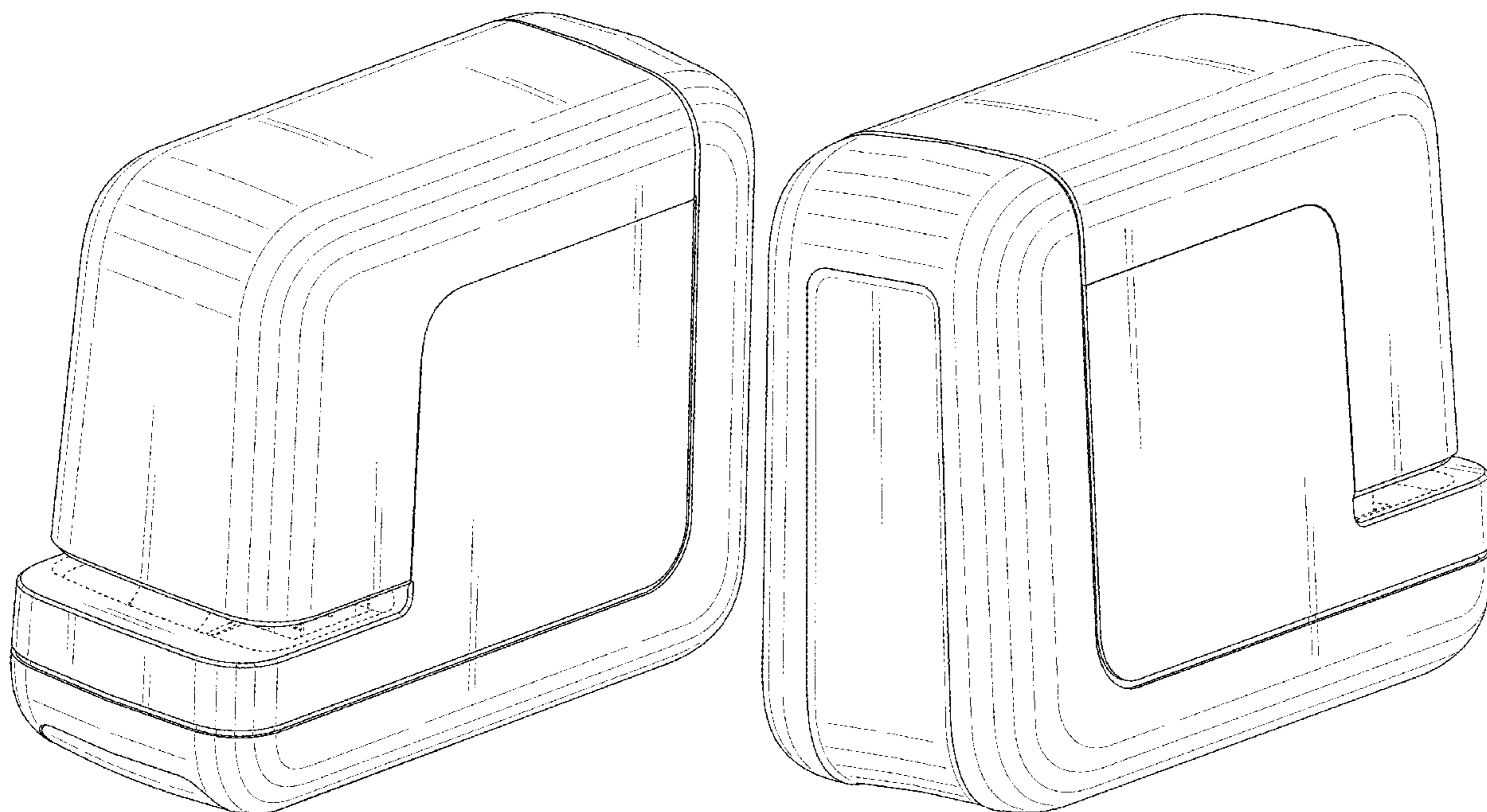
The ornamental design for a stapler, as shown and described.

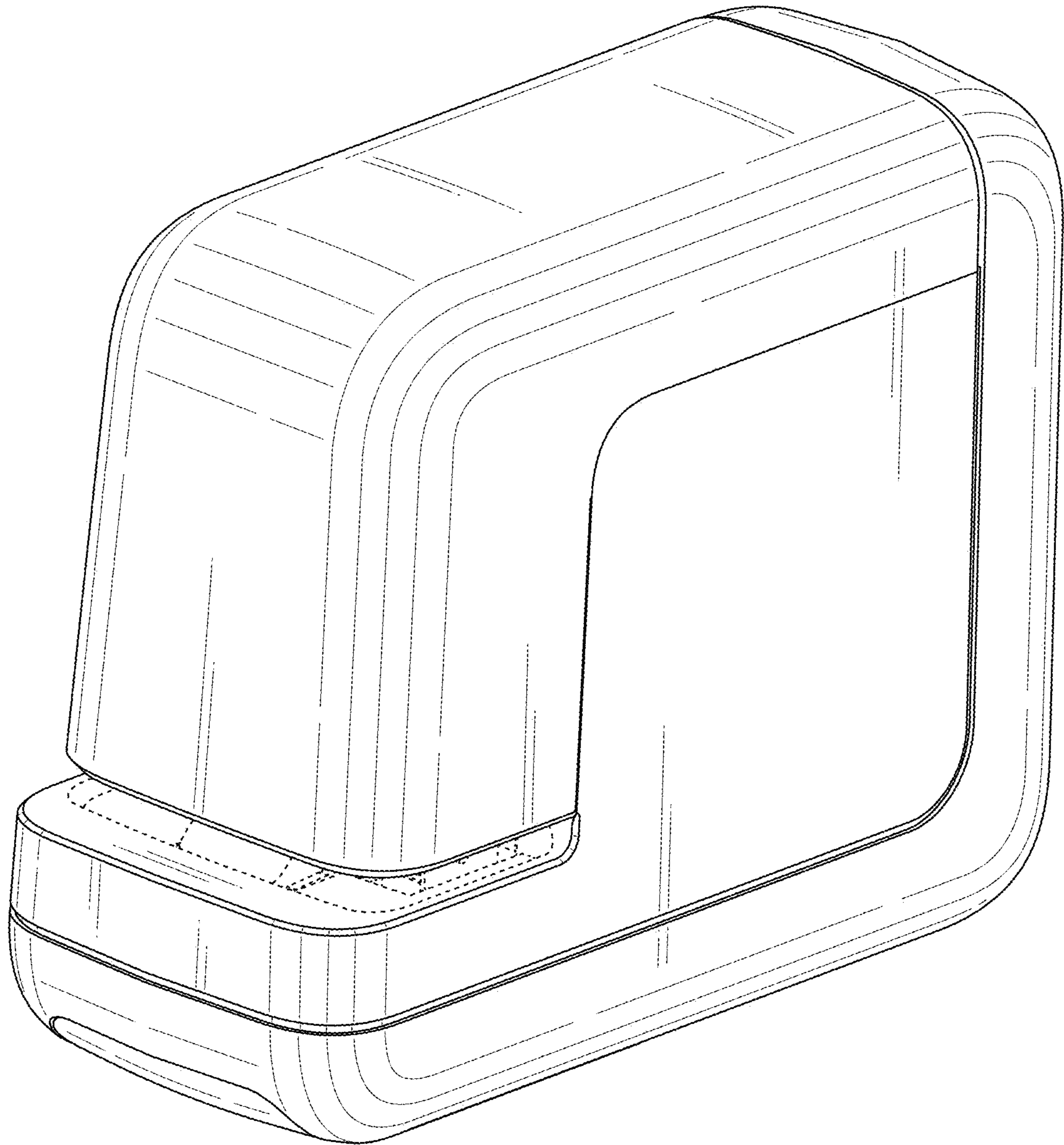
**DESCRIPTION**

FIG. 1 is a perspective view of the front, top and left side of a stapler showing my new design;  
 FIG. 2 is a perspective view of the rear, top and right side thereof;  
 FIG. 3 is a front view thereof;  
 FIG. 4 is a rear view thereof;  
 FIG. 5 is a left side view thereof;  
 FIG. 6 is a right side view thereof;  
 FIG. 7 is a top view thereof; and,  
 FIG. 8 is a bottom view thereof.

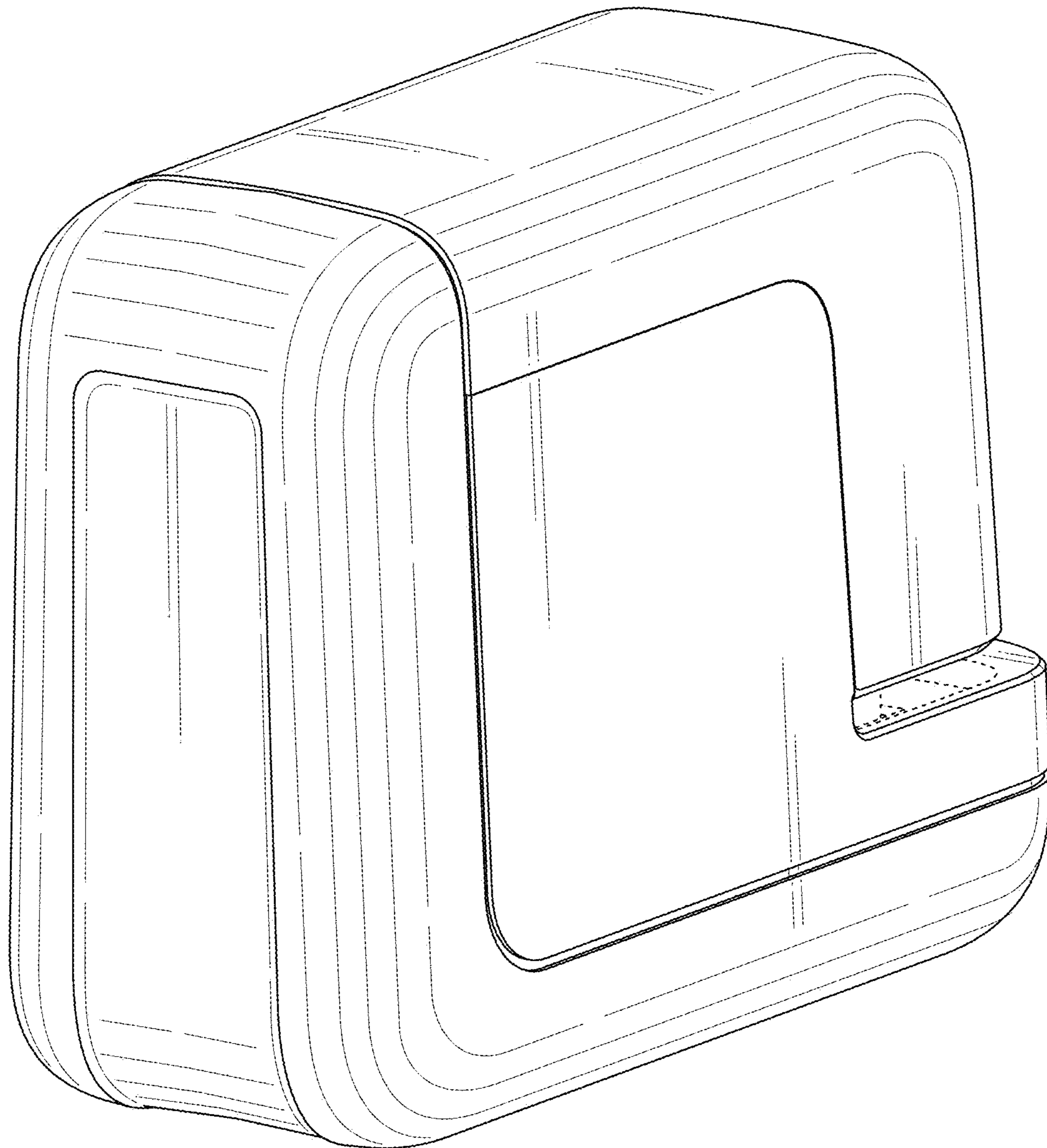
The broken line showing of the stapler is included for the purpose of illustrating portions of the stapler and forms no part of the claimed design.

**1 Claim, 6 Drawing Sheets**

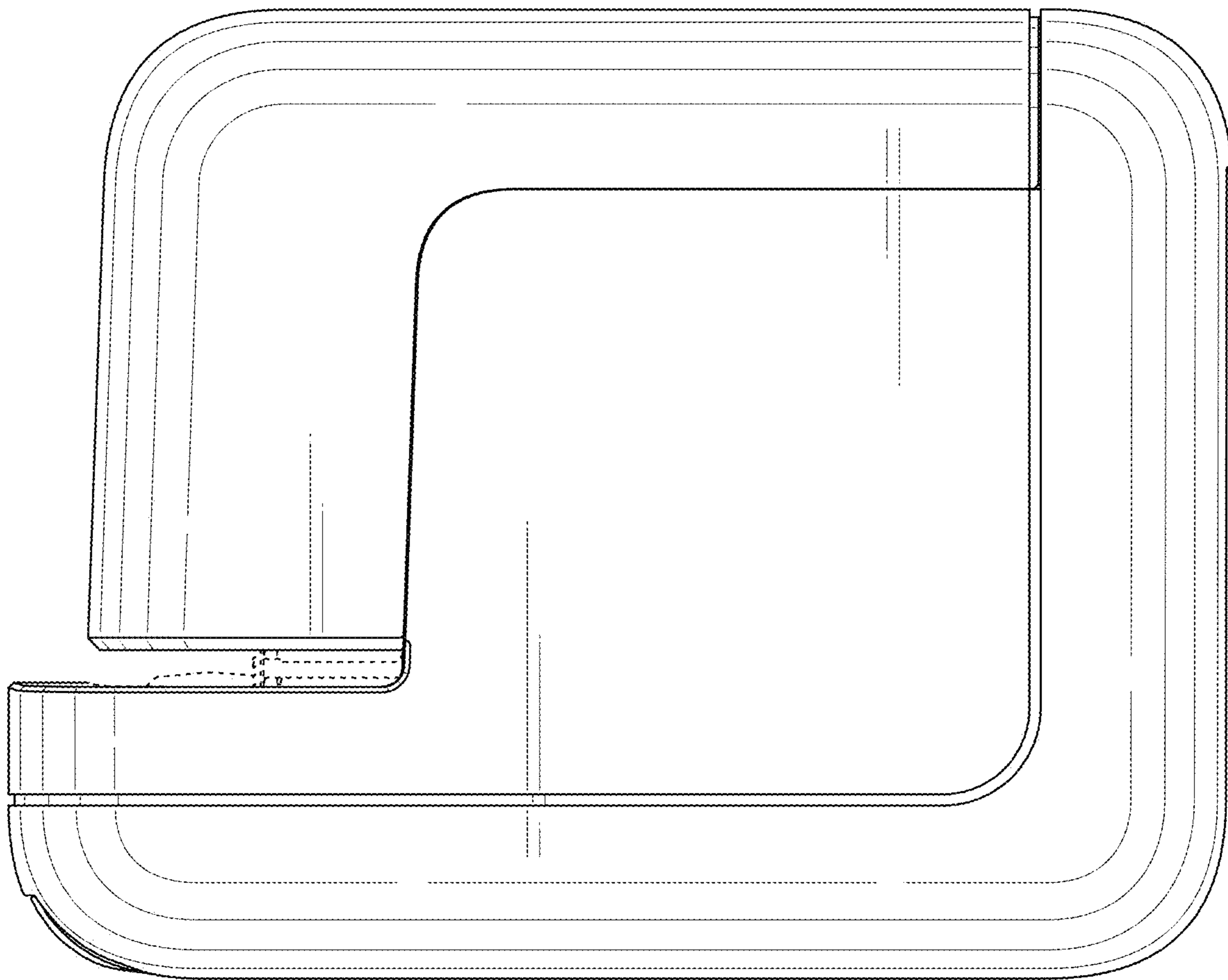




*FIG. 1*



*FIG. 2*



*FIG. 3*



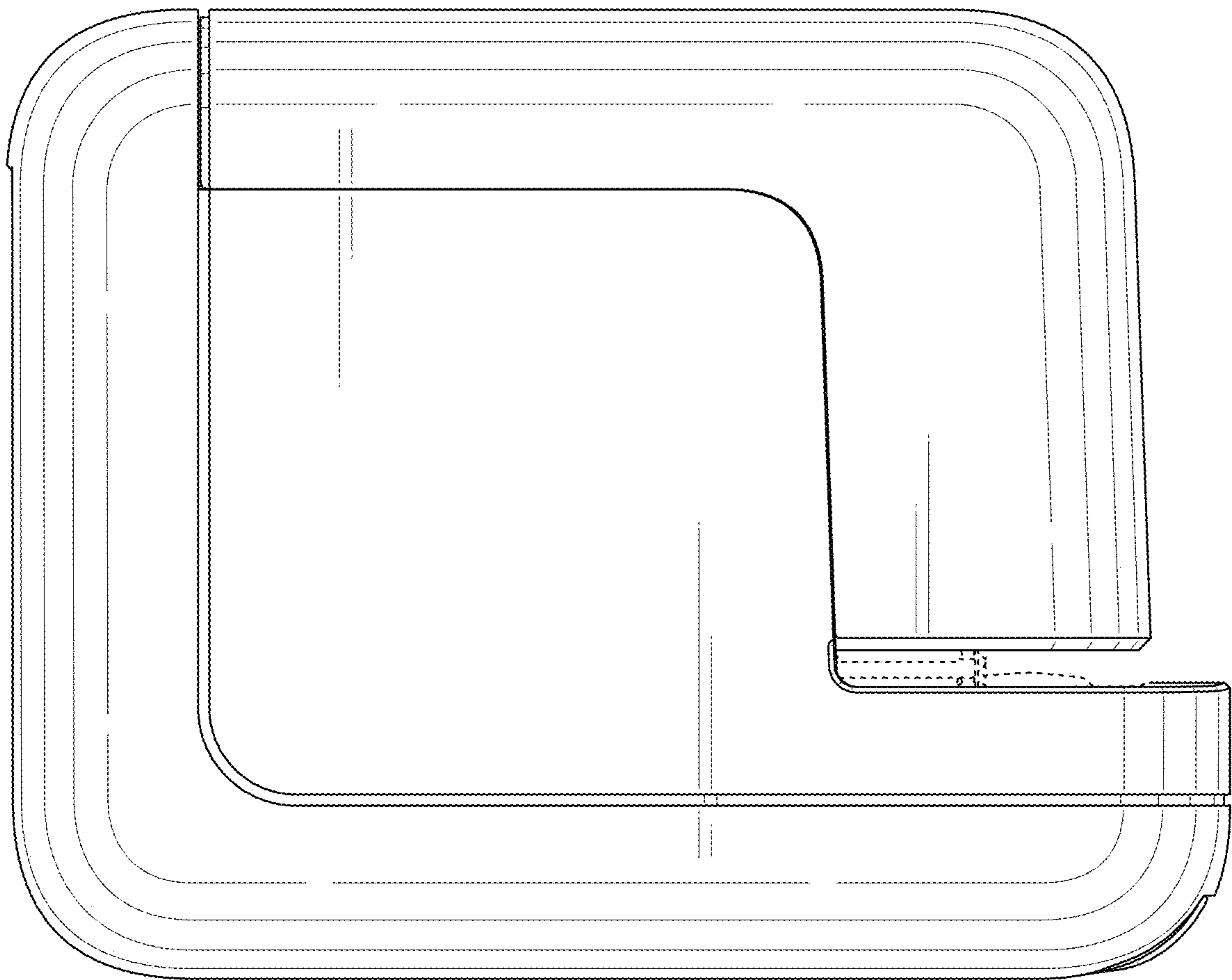
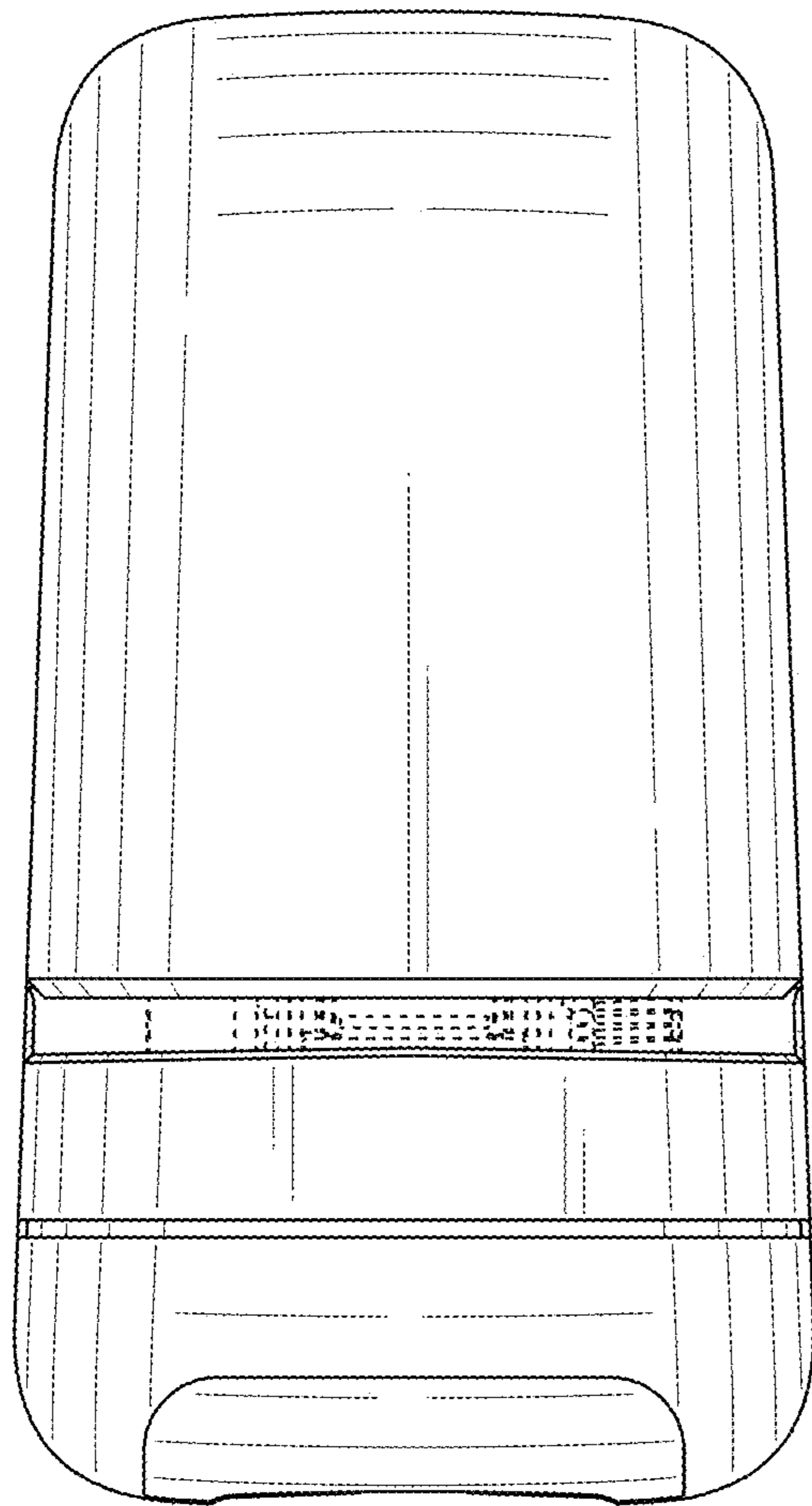
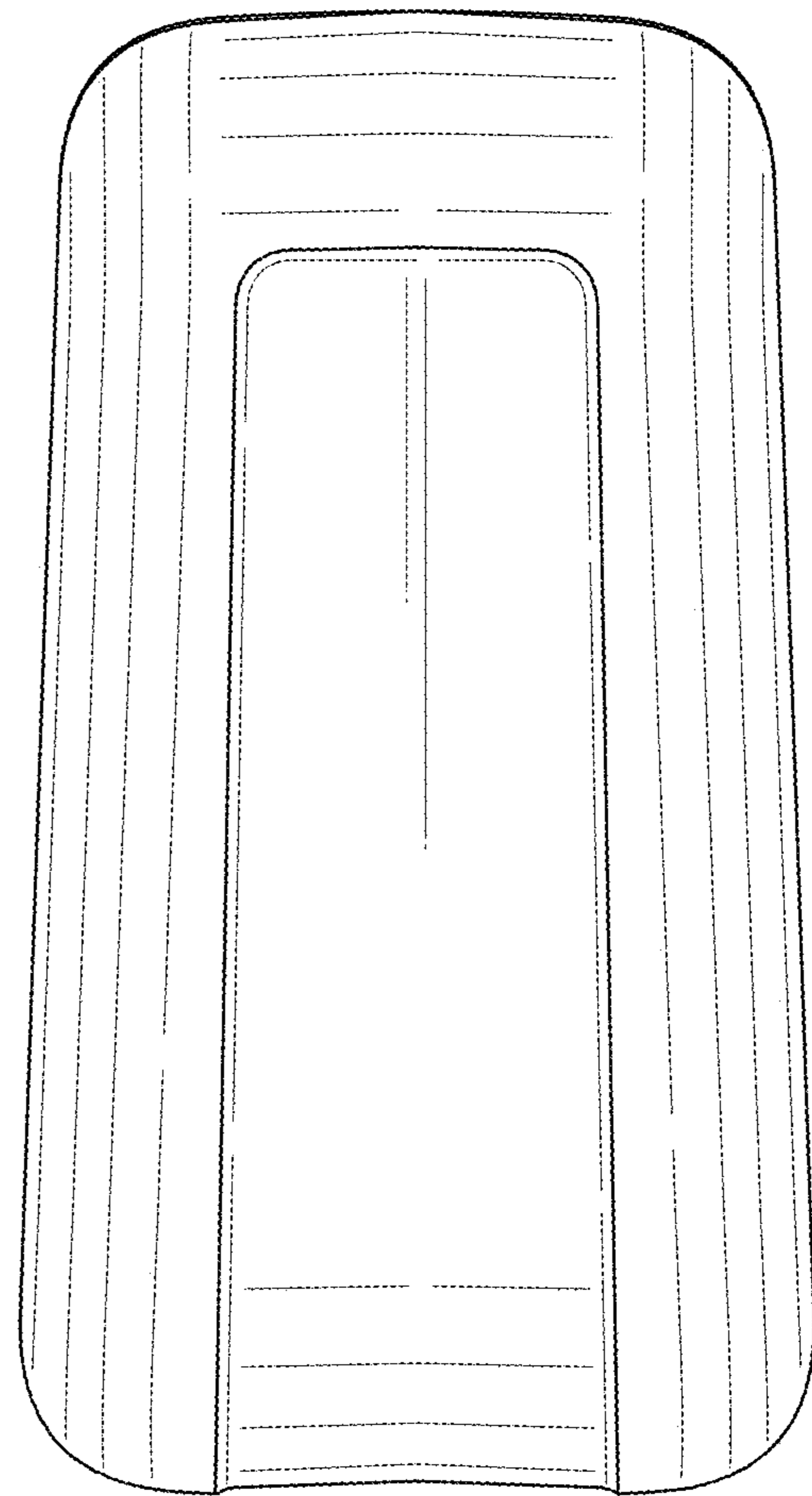


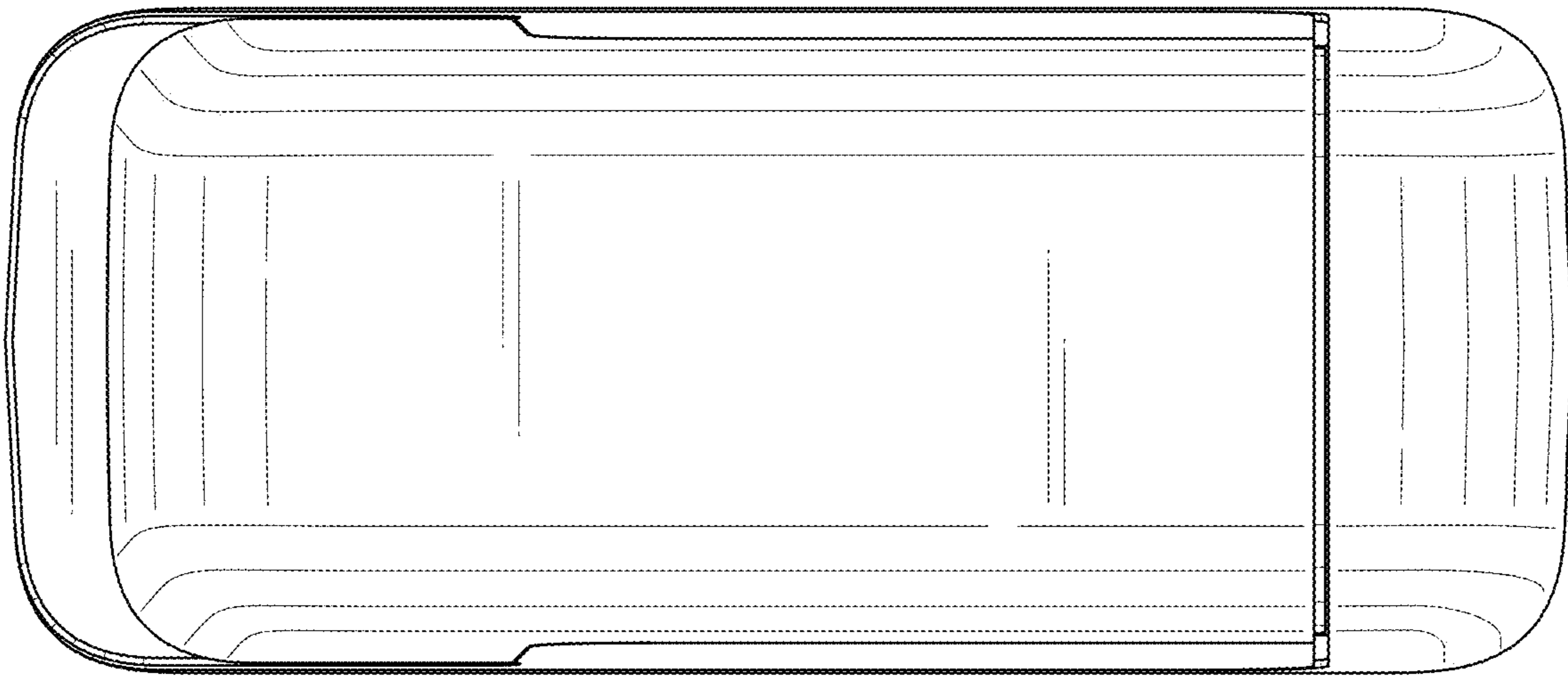
FIG. 4



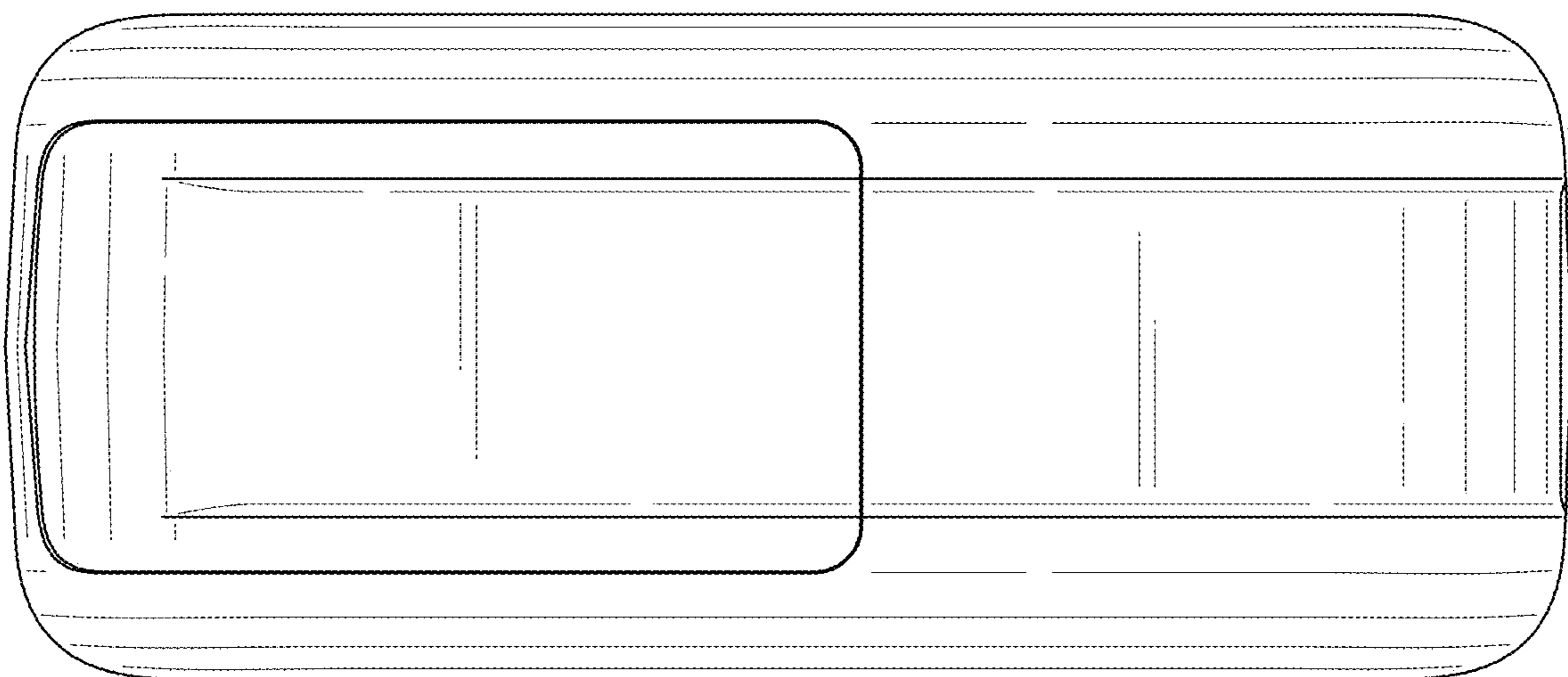
*FIG. 5*



*FIG. 6*



*FIG. 7*



*FIG. 8*

UNITED STATES PATENT AND TRADEMARK OFFICE  
**CERTIFICATE OF CORRECTION**

PATENT NO. : D945,846 S  
APPLICATION NO. : 29/741709  
DATED : March 15, 2022  
INVENTOR(S) : Masaki Sato

Page 1 of 1

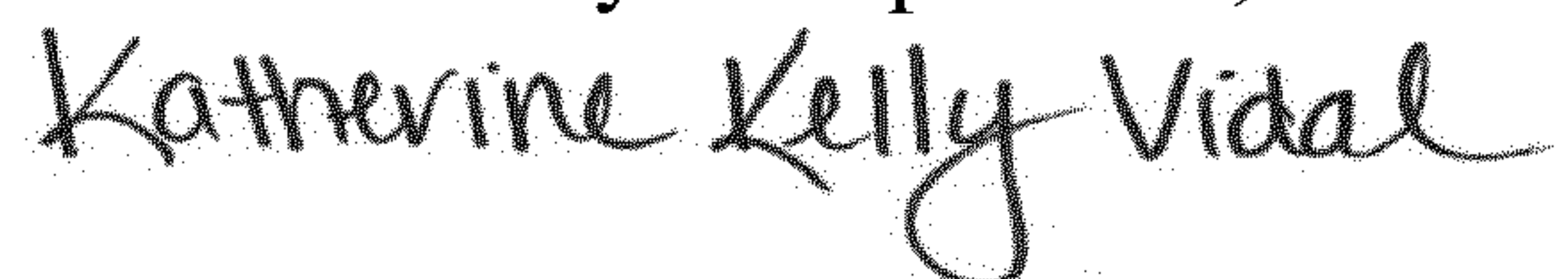
It is certified that error appears in the above-identified patent and that said Letters Patent is hereby corrected as shown below:

On the Title Page

Insert Item (30) Foreign Application Priority Data:

--(30) Jan. 1, 2018 (JP) 2020-001206D--.

Signed and Sealed this  
Thirteenth Day of September, 2022



Katherine Kelly Vidal  
*Director of the United States Patent and Trademark Office*