



US00D945844S

(12) **United States Design Patent**
Ying

(10) **Patent No.:** **US D945,844 S**

(45) **Date of Patent:** **** Mar. 15, 2022**

(54) **SHOPPING CART HANDLE HOLDER**

(71) Applicant: **NINGBO GECEN PROMOTION & GIFT CO., LTD**, Zhejiang (CN)

(72) Inventor: **Weijin Ying**, Ningbo (CN)

(73) Assignee: **NINGBO GECEN PROMOTION & GIFT CO., LTD.**

(**) Term: **15 Years**

(21) Appl. No.: **29/740,936**

(22) Filed: **Jul. 8, 2020**

(51) **LOC (13) Cl.** **08-05**

(52) **U.S. Cl.**
USPC **D8/19**

(58) **Field of Classification Search**
USPC D8/499, 404, 373, 372, 371, 367, 33, 28, D8/21, 19, 17, 16, 13, 105-107; D99/99; D29/113, 117.2; D3/207-212
CPC A47B 96/027; A47F 5/0823; A47G 1/20; A47G 1/202; A47G 1/22; A47G 2001/0672; A47G 29/10; A47H 1/102; B43L 1/00; B25G 3/26; B25F 1/00; B67B 7/14; F16B 15/00; F16B 15/02; F16B 35/00; F16B 45/00; F16M 13/02
See application file for complete search history.

(56) **References Cited**

U.S. PATENT DOCUMENTS

2,705,433	A *	4/1955	Goldman	B25B 13/56
					81/125.1
D257,383	S *	10/1980	Davenport	D22/149
D266,479	S *	10/1982	Hayakawa	D8/17
D278,291	S *	4/1985	Gurule	D6/328
D328,240	S *	7/1992	Polski	D8/367
D388,582	S *	12/1997	Irvin, Jr.	294/82.1
D389,728	S *	1/1998	Fitzwater	D8/367
D637,500	S *	5/2011	Corbin	D10/64

D666,883	S *	9/2012	Howard	F41A 35/00
					D8/19
D672,159	S *	12/2012	Lee	D6/315
D781,125	S *	3/2017	Manor	D8/105
D792,749	S *	7/2017	Faro	D8/19
D792,922	S *	7/2017	Benson	D17/22
D799,301	S *	10/2017	Cetera	D8/105
D808,765	S *	1/2018	Kisling	D8/105
D817,196	S *	5/2018	Haarburger	D10/64
D824,800	S *	8/2018	Blume	D8/367
D842,070	S *	3/2019	Kisling	F41A 35/00
					D6/315
D866,276	S *	11/2019	Shlaferman	294/82.1
D903,472	S *	12/2020	Kovacs	D8/354
D904,143	S *	12/2020	Hollinger	D6/328

(Continued)

OTHER PUBLICATIONS

Amazon.com: Sanitary Shopping Cart Handles—Set of 2 Hands-Free Anti-Germ Multi Functional—Keeps Hands Clean, Safe and Protected. (Mar. 30, 2020). Amazon. Retrieved Oct. 14, 2021, URL:<<https://www.amazon.com/Sanitary-Shopping-Hands-Free-Anti-Germ-Functional/dp/B086K12CZ1>> (Year: 2020).*

Primary Examiner — Rachel A. Voorhies
Assistant Examiner — Benjamin D. Wannemacher

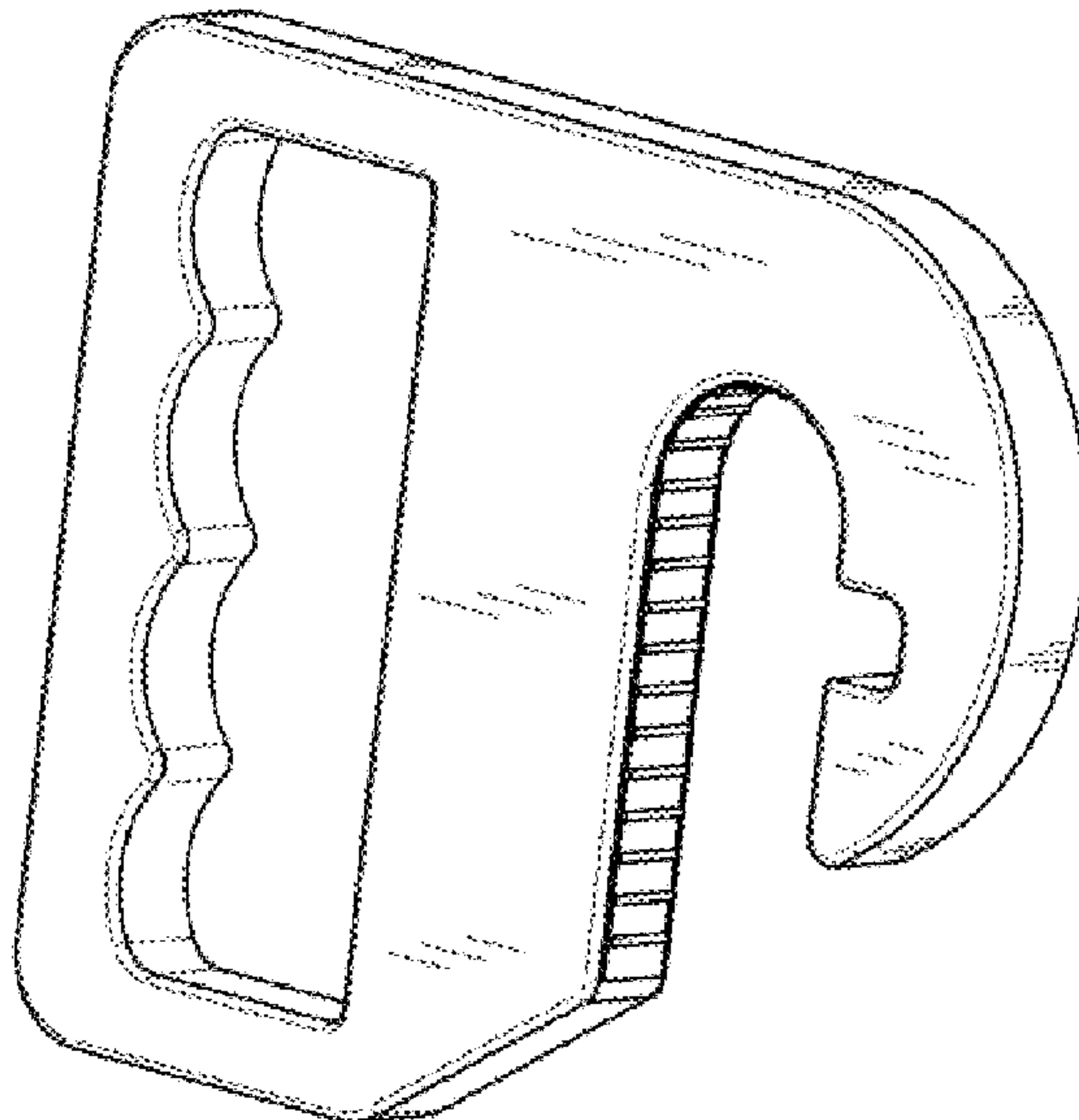
(57) **CLAIM**

The ornamental design for a shopping cart handle holder, as shown and described.

DESCRIPTION

FIG. 1 is a front view thereof;
FIG. 2 is a back view thereof;
FIG. 3 is a left side view thereof;
FIG. 4 is a right side view thereof;
FIG. 5 is a top view thereof;
FIG. 6 is a bottom view thereof; and,
FIG. 7 is a perspective view of the shopping cart handle holder showing my new design.

1 Claim, 7 Drawing Sheets



(56)

References Cited

U.S. PATENT DOCUMENTS

D909,158 S * 2/2021 Kao D8/367
D918,002 S * 5/2021 Borenstein B25B 13/56
D8/354

* cited by examiner

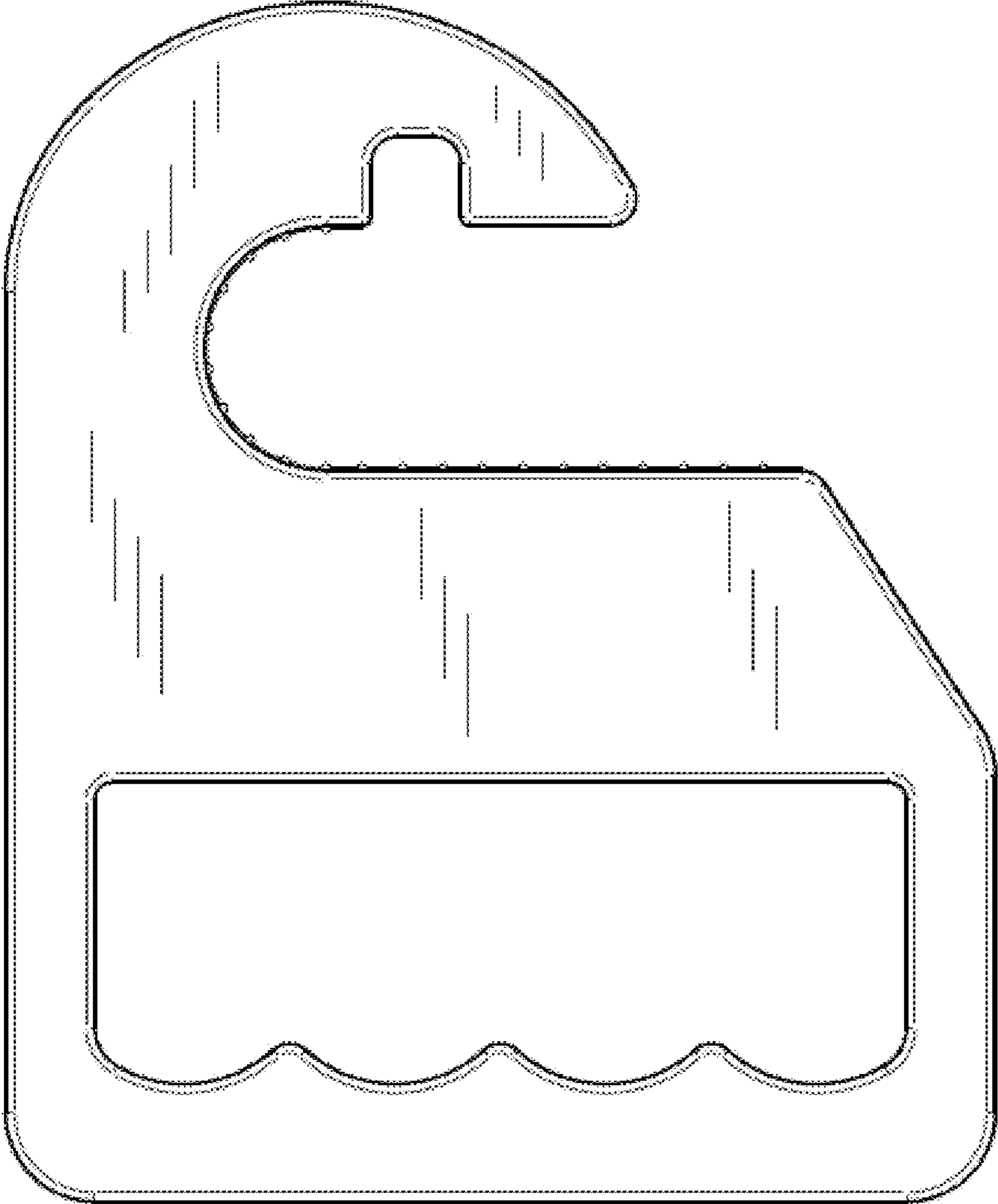


FIG.1

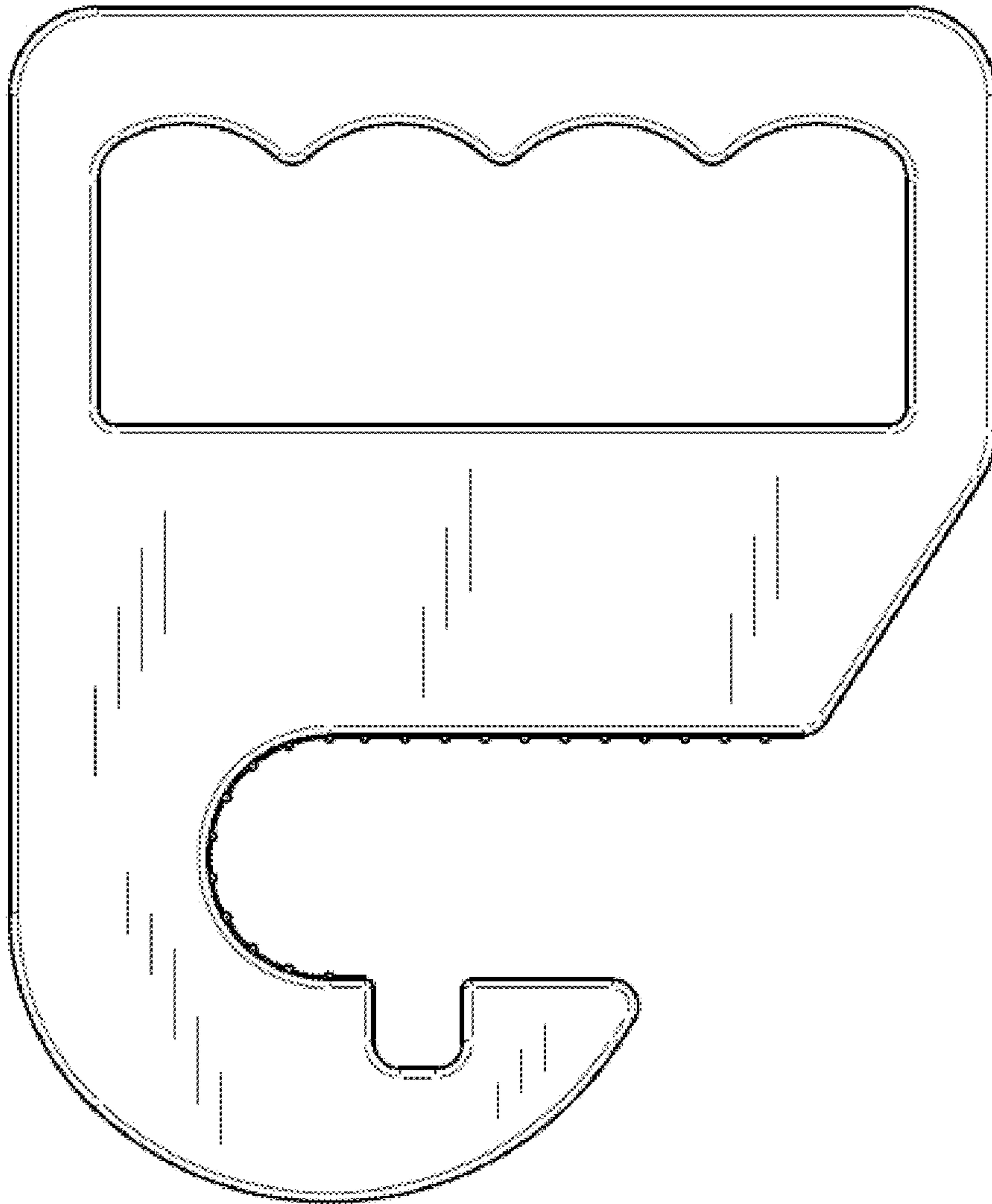


FIG. 2



FIG.3



FIG.4

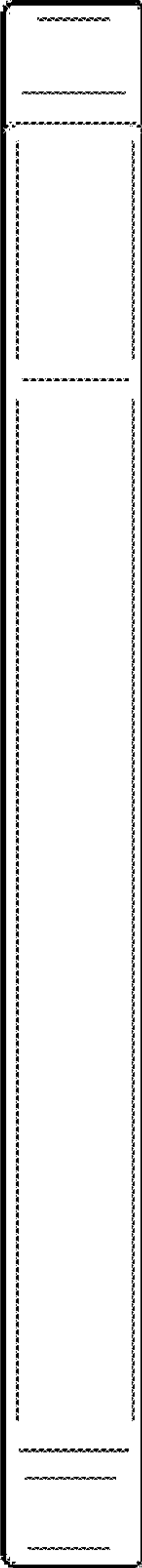


FIG.5

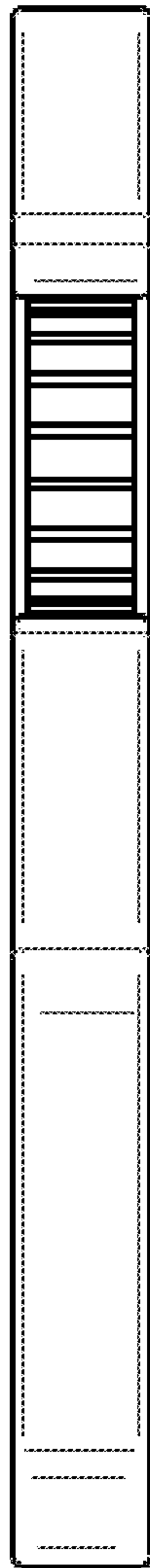


FIG.6

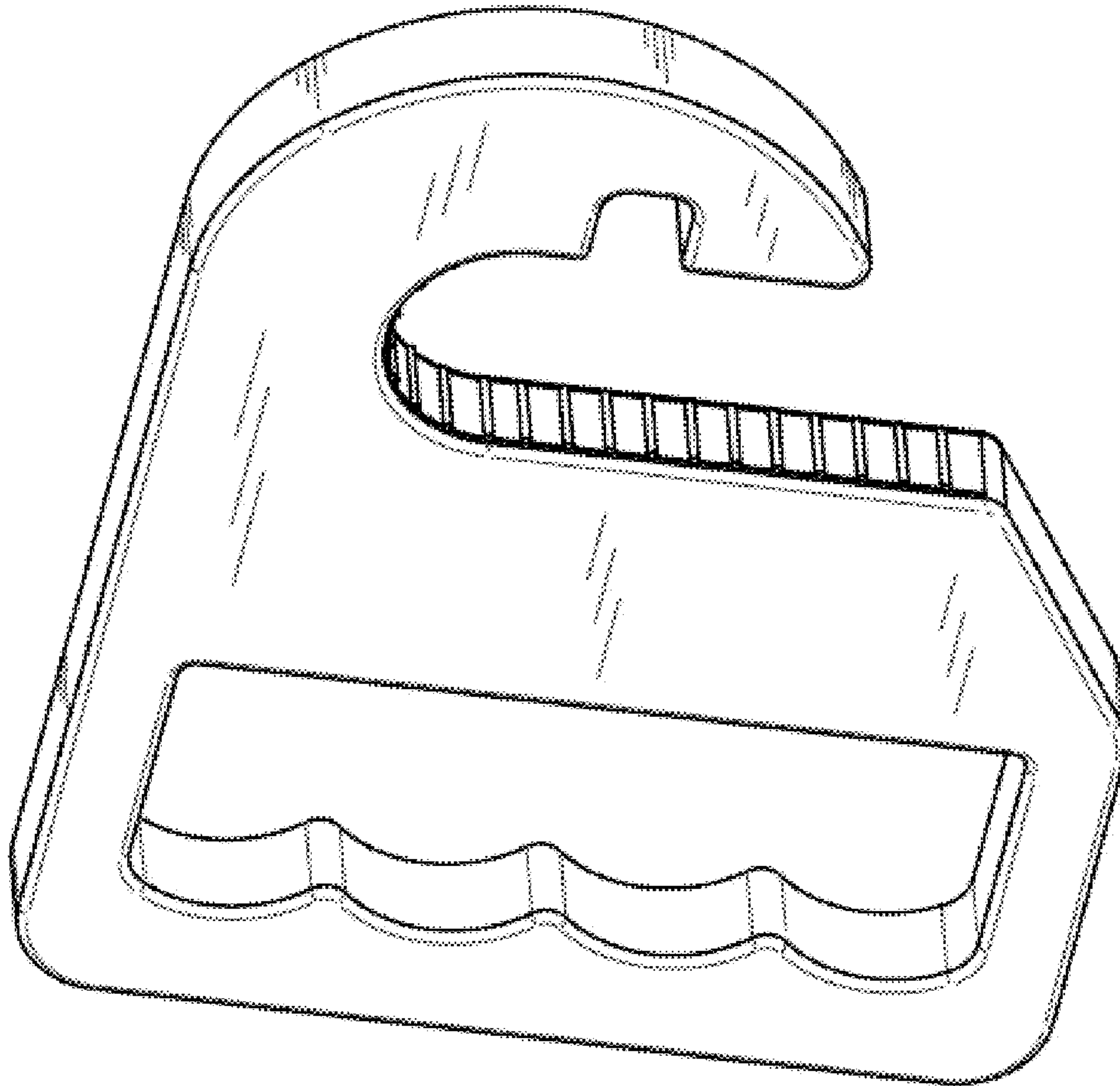


FIG. 7