



US00D945841S

(12) **United States Design Patent** (10) **Patent No.:** **US D945,841 S**  
**Wechsler** (45) **Date of Patent:** **\*\* Mar. 15, 2022**

(54) **TABLESPOON AND TEASPOON MEASUREMENT SPATULA**

(71) Applicant: **Sam Wechsler**, Delmar, NY (US)

(72) Inventor: **Sam Wechsler**, Delmar, NY (US)

(\*\*) Term: **15 Years**

(21) Appl. No.: **29/722,310**

(22) Filed: **Jan. 28, 2020**

(51) **LOC (13) Cl.** ..... **07-02**

(52) **U.S. Cl.**  
USPC ..... **D7/688**

(58) **Field of Classification Search**  
USPC ..... D7/213, 372, 381, 412, 673, 683, 686,  
D7/688, 689, 691, 692, 693, 694, 695,  
D7/696

CPC ..... A47J 43/282; A47J 43/288  
See application file for complete search history.

(56) **References Cited**

**U.S. PATENT DOCUMENTS**

2,964,773	A	*	12/1960	Pence	.....	A47J 43/288	15/245
D226,392	S	*	2/1973	Lindbo	.....	D7/688	
D304,144	S	*	10/1989	Gecchelin	.....	D7/688	
D360,561	S	*	7/1995	Littledeer	.....	D7/688	
D496,230	S	*	9/2004	Germany	.....	D7/688	
D604,125	S	*	11/2009	Griffith	.....	D7/688	
D606,372	S	*	12/2009	Gorskey	.....	D7/688	
D677,532	S	*	3/2013	Joseph	.....	D7/688	
D713,220	S	*	9/2014	Cloutier	.....	D7/688	
D837,617	S	*	1/2019	Frank	.....	D7/688	
D838,559	S	*	1/2019	Frank	.....	D7/688	
D906,771	S	*	1/2021	Lacotta	.....	D7/688	
D915,844	S	*	4/2021	Xie	.....	D7/688	

**OTHER PUBLICATIONS**

Geeky Gadgets website, CoffeeClip Coffee Spoon and kitchen essentials, Published Feb. 23, 2021, [site visited Jul. 30, 2021], Available on the Internet URL <https://www.geeky-gadgets.com/coffeeclip-coffee-spoon-and-kitchen-essentials-23-02-2021/> (Year: 2021).\*

Kickstarter website, Projects, Publication date unknown, [site visited Jul. 30, 2021], Available on the Internet URL <https://www.kickstarter.com/projects/teaspoon/coffeeclip-spoontula-and-teaspoon-xl6-cooking-simplified/faqs> (Year: 2021).\*

\* cited by examiner

*Primary Examiner* — S. Bryan Reinholdt, Jr.

(74) *Attorney, Agent, or Firm* — Heslin Rothenberg Farley & Mesiti P.C.

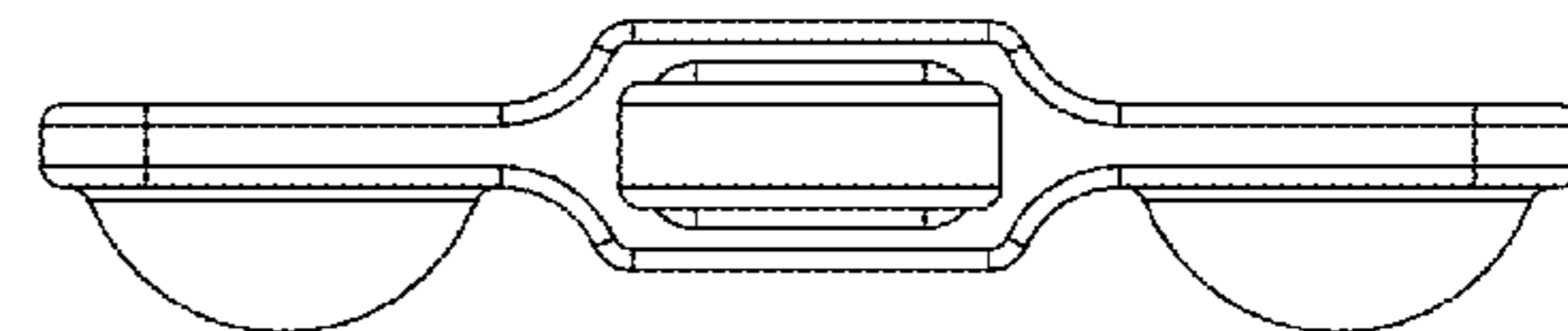
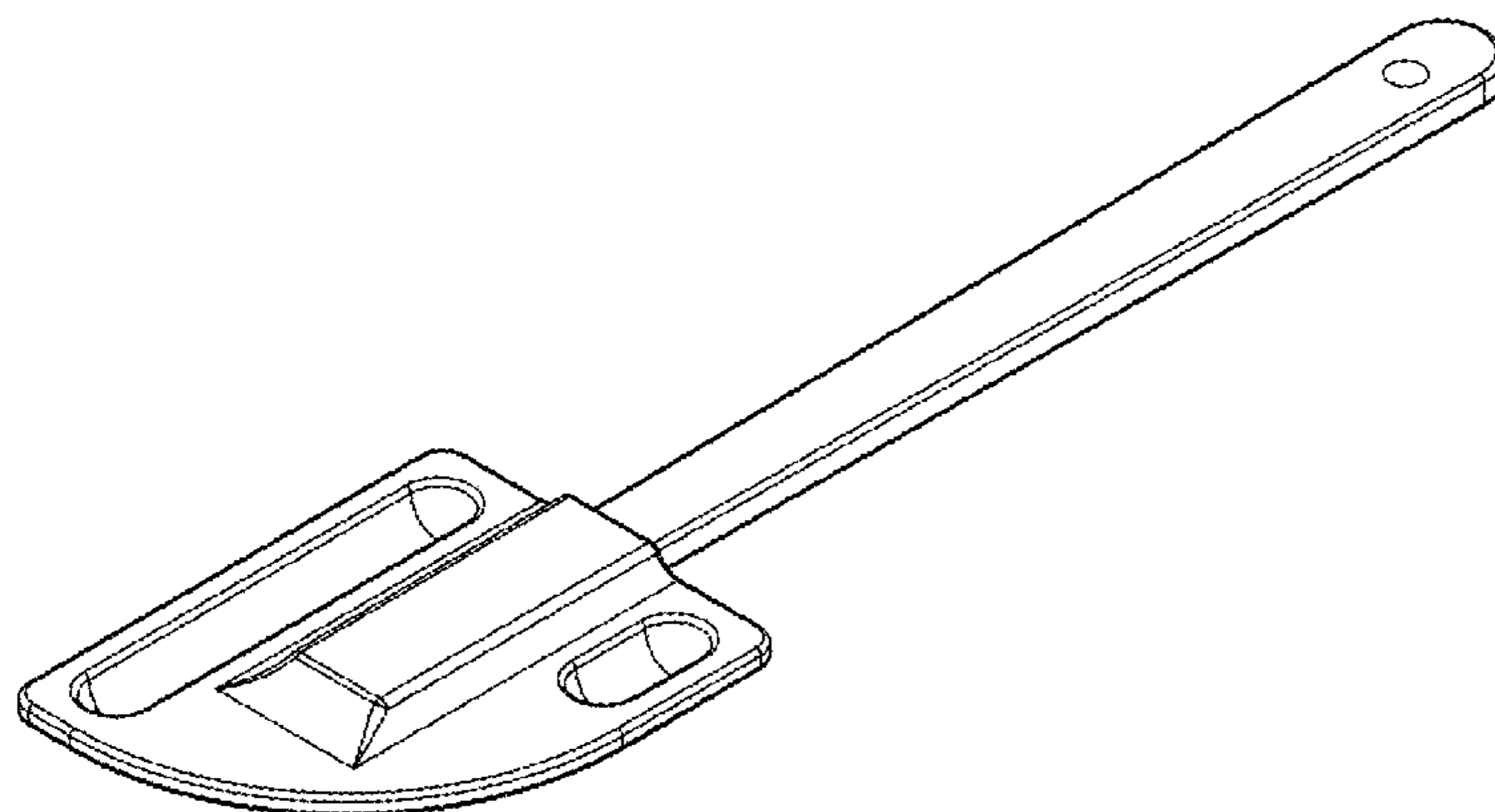
(57) **CLAIM**

The ornamental design for a tablespoon and teaspoon measurement spatula, as shown and described.

**DESCRIPTION**

FIG. 1 is a perspective view of the tablespoon and teaspoon measurement spatula showing my new design; FIG. 2 is a top plan view thereof; FIG. 3 is a side view thereof; FIG. 4 is a bottom plan view thereof; FIG. 5 is an enlarged front view thereof; and, FIG. 6 is an enlarged back view thereof. The broken lines in the drawings illustrate portions of the tablespoon and teaspoon measurement spatula which form no part of the claimed design.

**1 Claim, 3 Drawing Sheets**



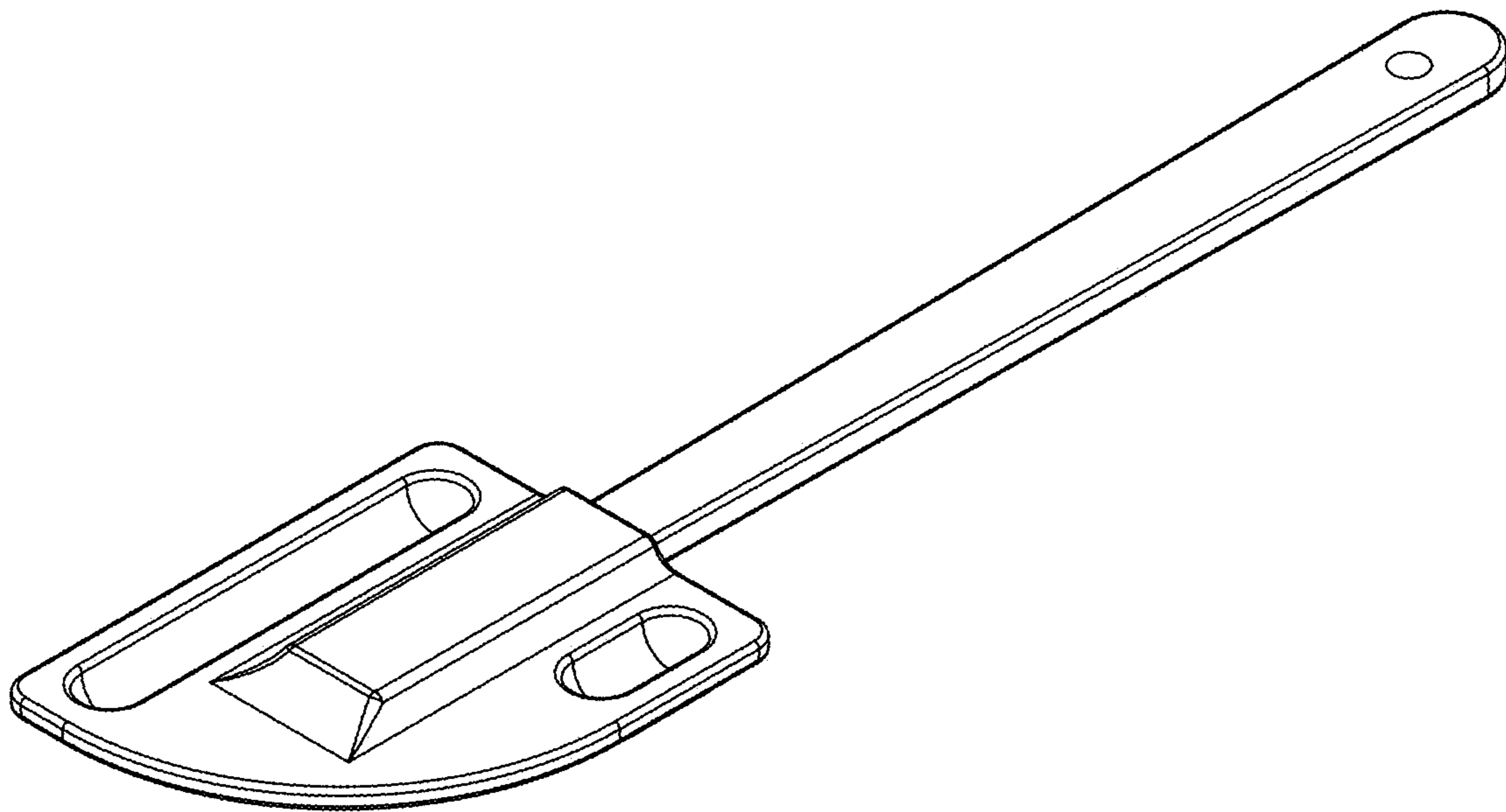


FIG. 1

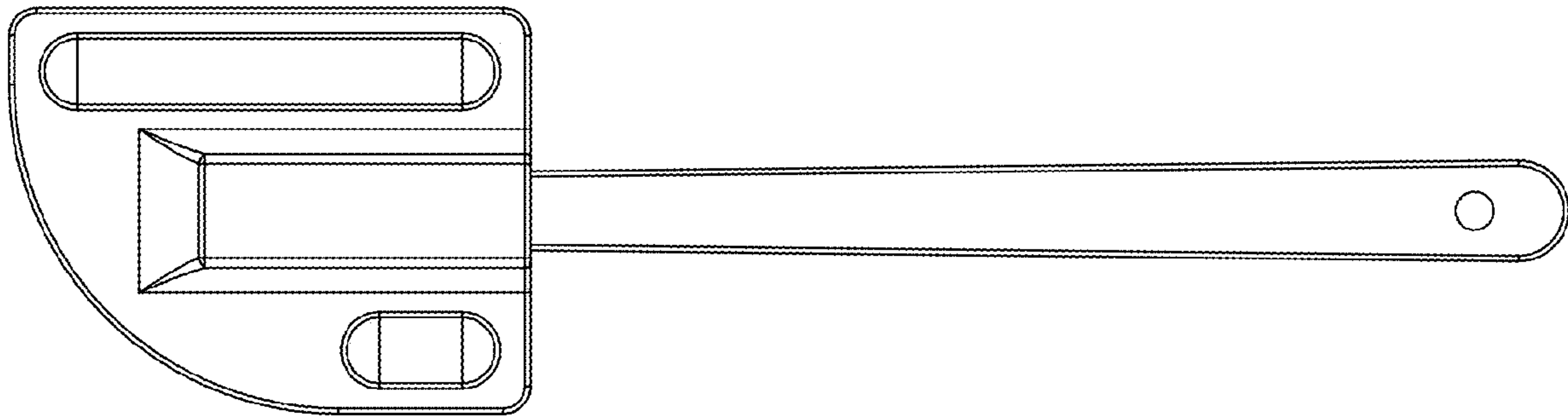


FIG. 2

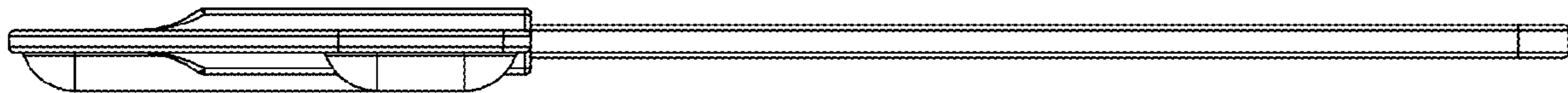


FIG. 3

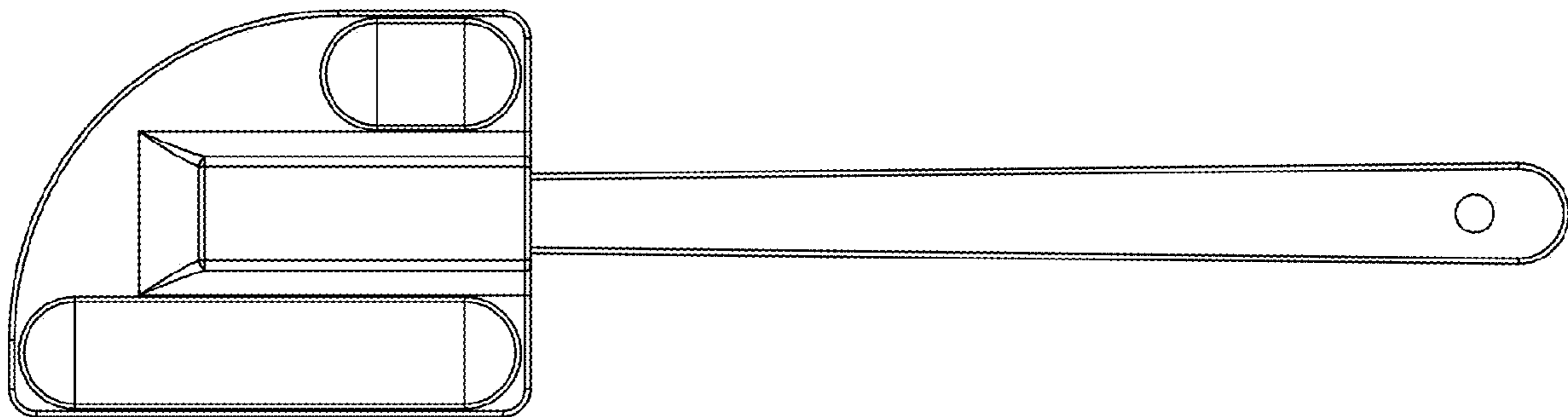


FIG. 4

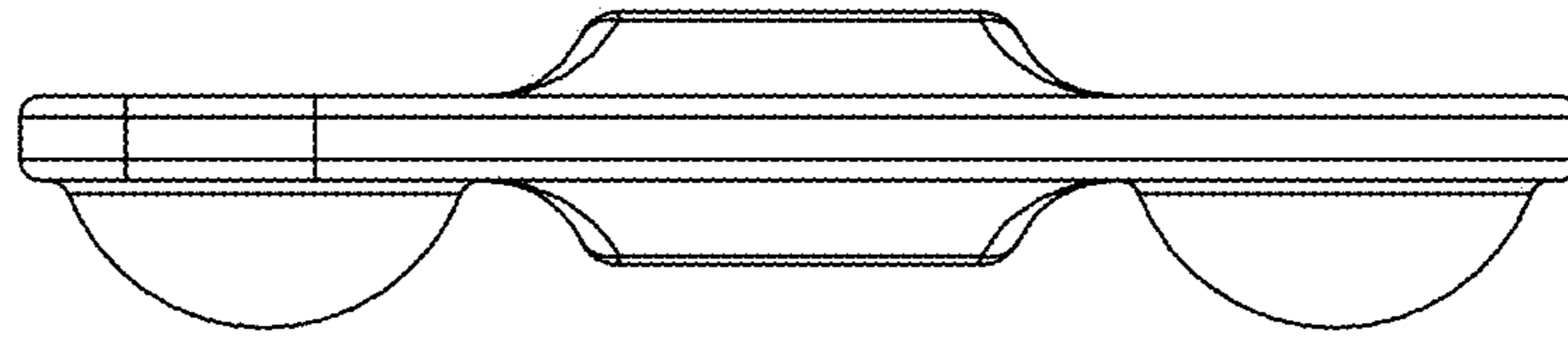


FIG. 5

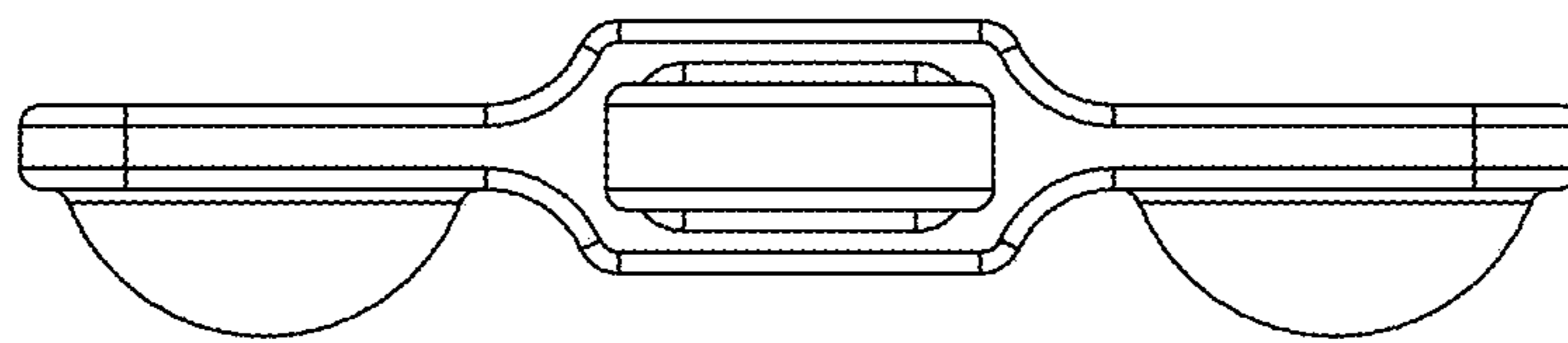


FIG. 6

UNITED STATES PATENT AND TRADEMARK OFFICE  
**CERTIFICATE OF CORRECTION**


PATENT NO. : D945,841 S  
APPLICATION NO. : 29/722310  
DATED : March 15, 2022  
INVENTOR(S) : Sam Wechsler

Page 1 of 1

It is certified that error appears in the above-identified patent and that said Letters Patent is hereby corrected as shown below:

On the Title Page

In the Description: Delete “The broken lines in the drawings illustrate portions of the Tablespoon and Teaspoon Measurement Spatula which form no part of the claimed design.”

Signed and Sealed this  
Seventeenth Day of May, 2022  
  
Katherine Kelly Vidal  
*Director of the United States Patent and Trademark Office*