



US00D945839S

(12) **United States Design Patent** (10) **Patent No.:** **US D945,839 S**
Gu (45) **Date of Patent:** **** Mar. 15, 2022**

(54) **CHEF KNIFE**
(71) Applicant: **Yaqin Gu**, HuaiAn (CN)
(72) Inventor: **Yaqin Gu**, HuaiAn (CN)
(**) Term: **15 Years**
(21) Appl. No.: **29/780,238**
(22) Filed: **Apr. 23, 2021**
(51) **LOC (13) Cl.** **07-03**
(52) **U.S. Cl.**
USPC **D7/649; D7/401.2**
(58) **Field of Classification Search**
USPC D7/393-395, 401.2, 642-652, 693,
D7/695-696; D8/93, 97-100, 107, 300;
D22/117-118
CPC A01B 1/20; A01B 1/22; A22C 25/006;
A47G 21/06; A47G 21/065; A61B
17/3211; A61B 17/3213; B21D 53/64;
B25G 1/102; B25G 3/36; B26B 1/00;
B26B 1/08; B26B 1/10; B26B 3/00;
B26B 3/02; B26B 3/03; B26B 3/04;
B26B 3/06; B26B 5/00; B26B 5/001;
B26B 5/007; B26B 7/00; B26B 7/005;
B26B 9/00; B26B 9/02; B26B 11/00;
B26B 11/006; B26B 17/00; B26B 17/006;
B26B 27/00; B26B 29/02
See application file for complete search history.

(56) **References Cited**
U.S. PATENT DOCUMENTS
3,100,935 A * 8/1963 Leafe B26B 27/00
30/294
D348,380 S * 7/1994 Allen D7/649
D455,937 S * 4/2002 Huebner
D461,373 S * 8/2002 Sylva D7/649
D461,375 S * 8/2002 Sylva D7/650
D461,688 S * 8/2002 Lothe D7/649
D564,305 S * 3/2008 Chisholm
D579,731 S * 11/2008 Ono D7/649

D623,027 S 9/2010 Behar
D643,260 S * 8/2011 Spiegel D7/649
D658,455 S * 5/2012 Wang D7/649
D690,562 S * 10/2013 Hasegawa D7/649
D719,405 S 12/2014 Miller
D749,916 S * 2/2016 Lessmann D7/649
D752,384 S 3/2016 Fredaeng
D770,837 S 11/2016 Yang
D816,433 S 5/2018 Murken
D891,882 S 8/2020 Almazan
D893,947 S 8/2020 Pulk
D920,056 S * 5/2021 Chen D7/649

(Continued)

OTHER PUBLICATIONS

Smith Chu Handmade Forged Serbian Meat Cleaver Knife. Date First Available on Amazon.com Mar. 4, 2020. <https://www.amazon.com/dp/B085GBSRXR/ref> (Year: 2020).*

(Continued)

Primary Examiner — Ricky Pham
(74) *Attorney, Agent, or Firm* — Rumit Ranjit Kanakia

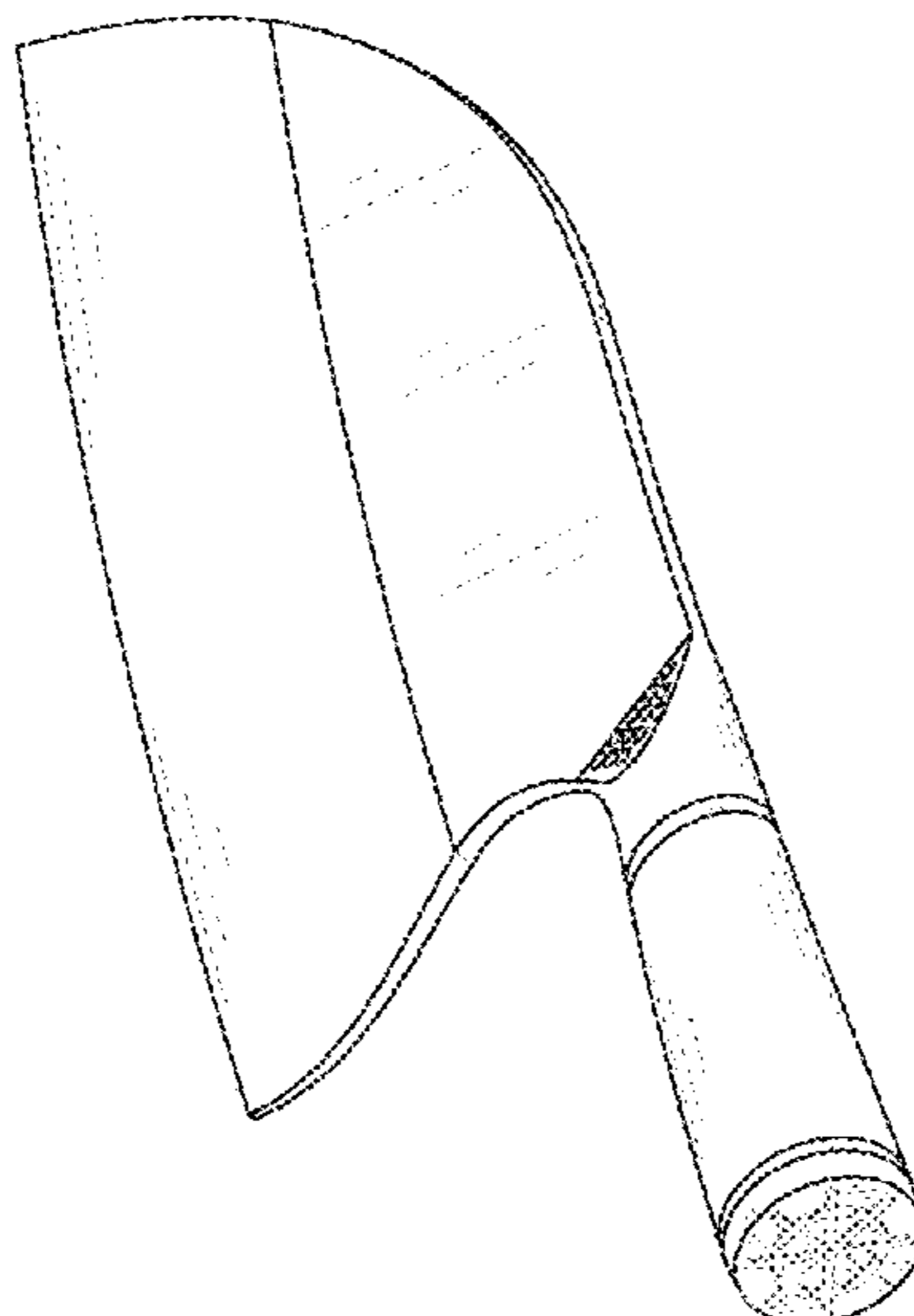
(57) **CLAIM**

The ornamental design for a chef knife, as shown and described.

DESCRIPTION

FIG. 1 is a front elevational view of a chef knife showing my new design;
FIG. 2 is a rear elevational view thereof; and
FIG. 3 is a left elevational view thereof;
FIG. 4 is a right side view thereof;
FIG. 5 is a top side view thereof;
FIG. 6 is a bottom plan view thereof; and,
FIG. 7 is a perspective view of a chef knife showing my new design.
The broken lines in the figures are for the purposes of illustrating portions of the chef knife, which form no part of the claimed design.

1 Claim, 7 Drawing Sheets



(56)

References Cited

U.S. PATENT DOCUMENTS

D925,301 S * 7/2021 Liang D7/649
2002/0170184 A1 * 11/2002 Lothe B25G 1/102
30/295

OTHER PUBLICATIONS

KOPALA Kitchen Knife Cleaver. Date First Available on Amazon.
com May 10, 2019. <https://www.amazon.com/dp/B07RRCTJFL/ref>
(Year: 2019).*

* cited by examiner

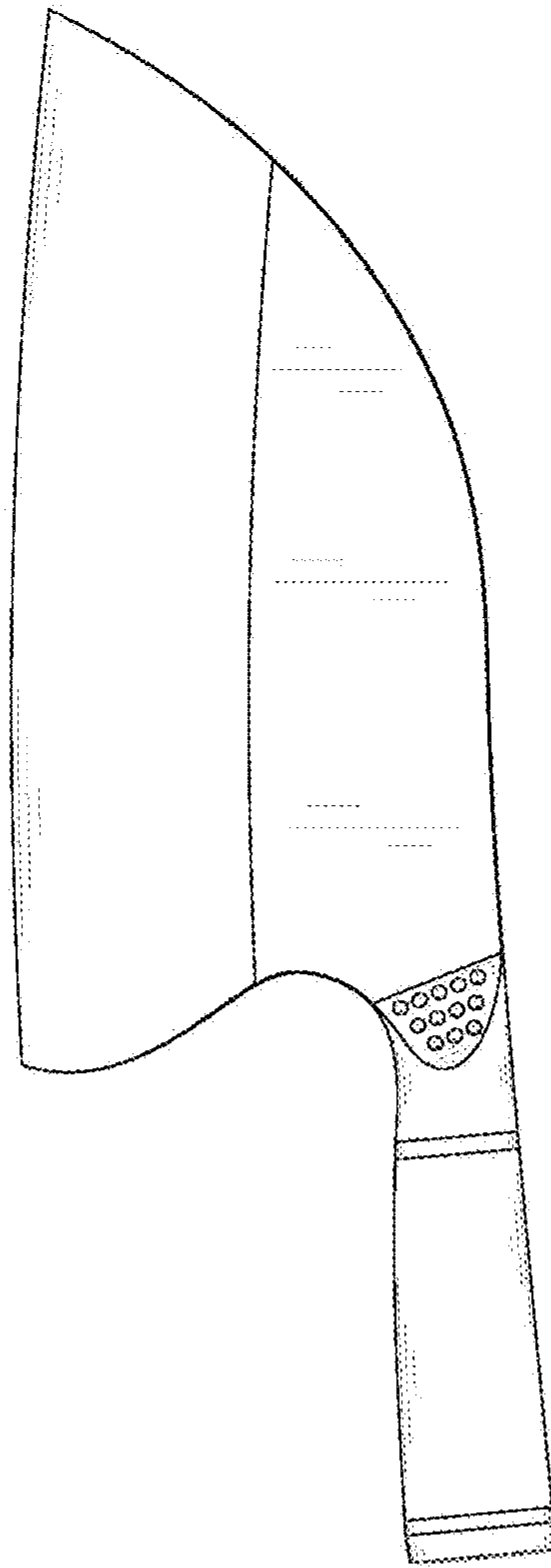


FIG. 1

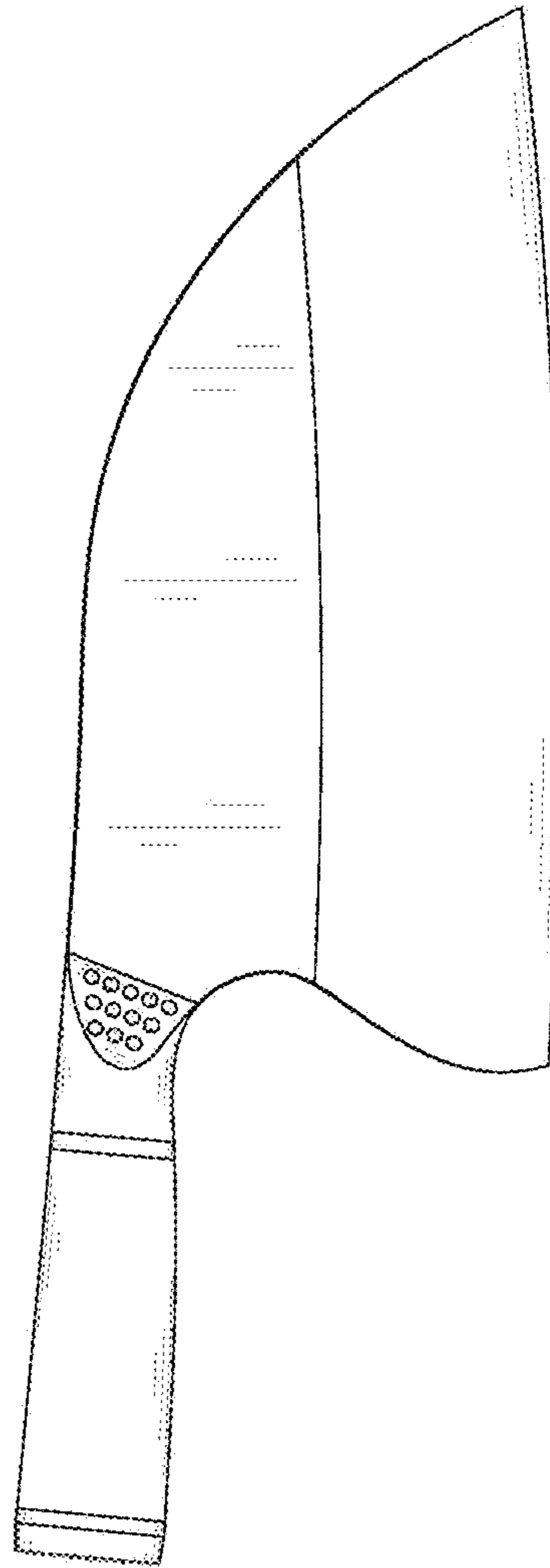


FIG. 2

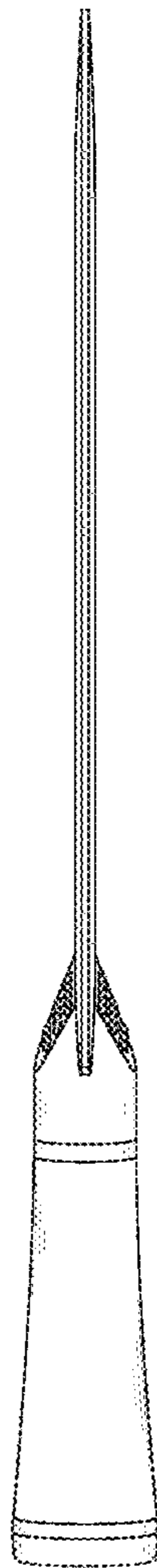


FIG.3

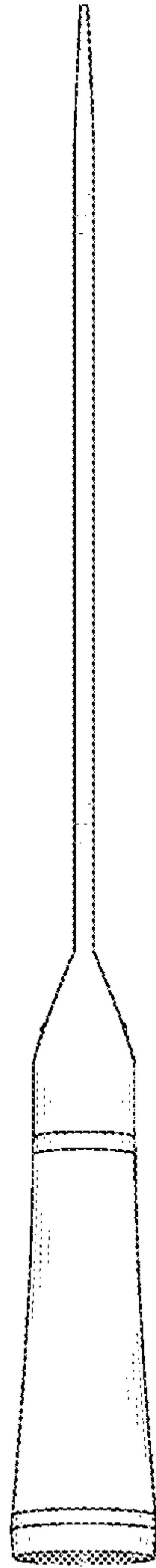


FIG.4



FIG. 5

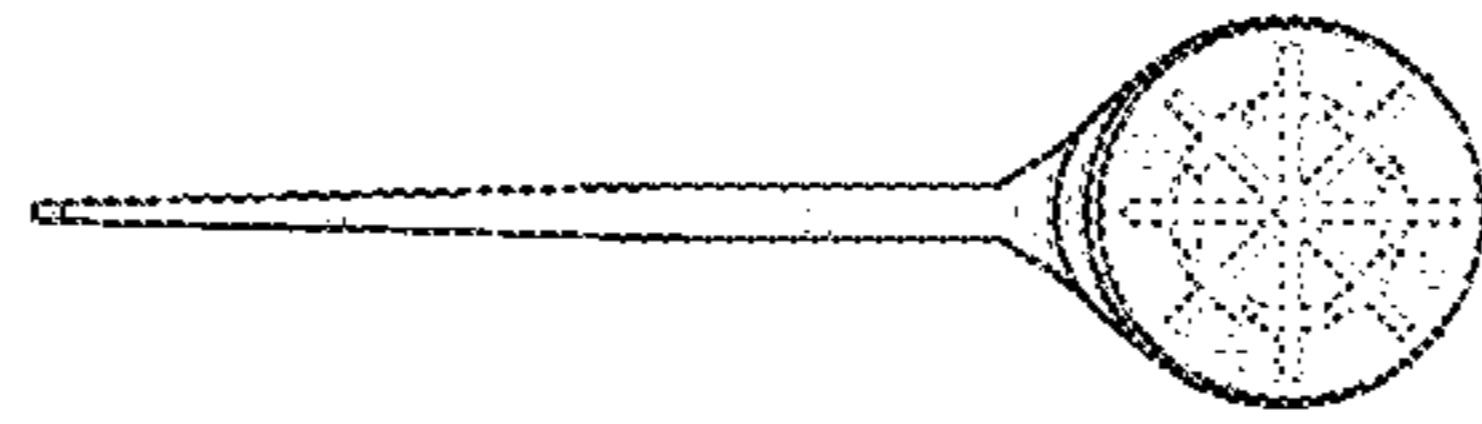


FIG. 6

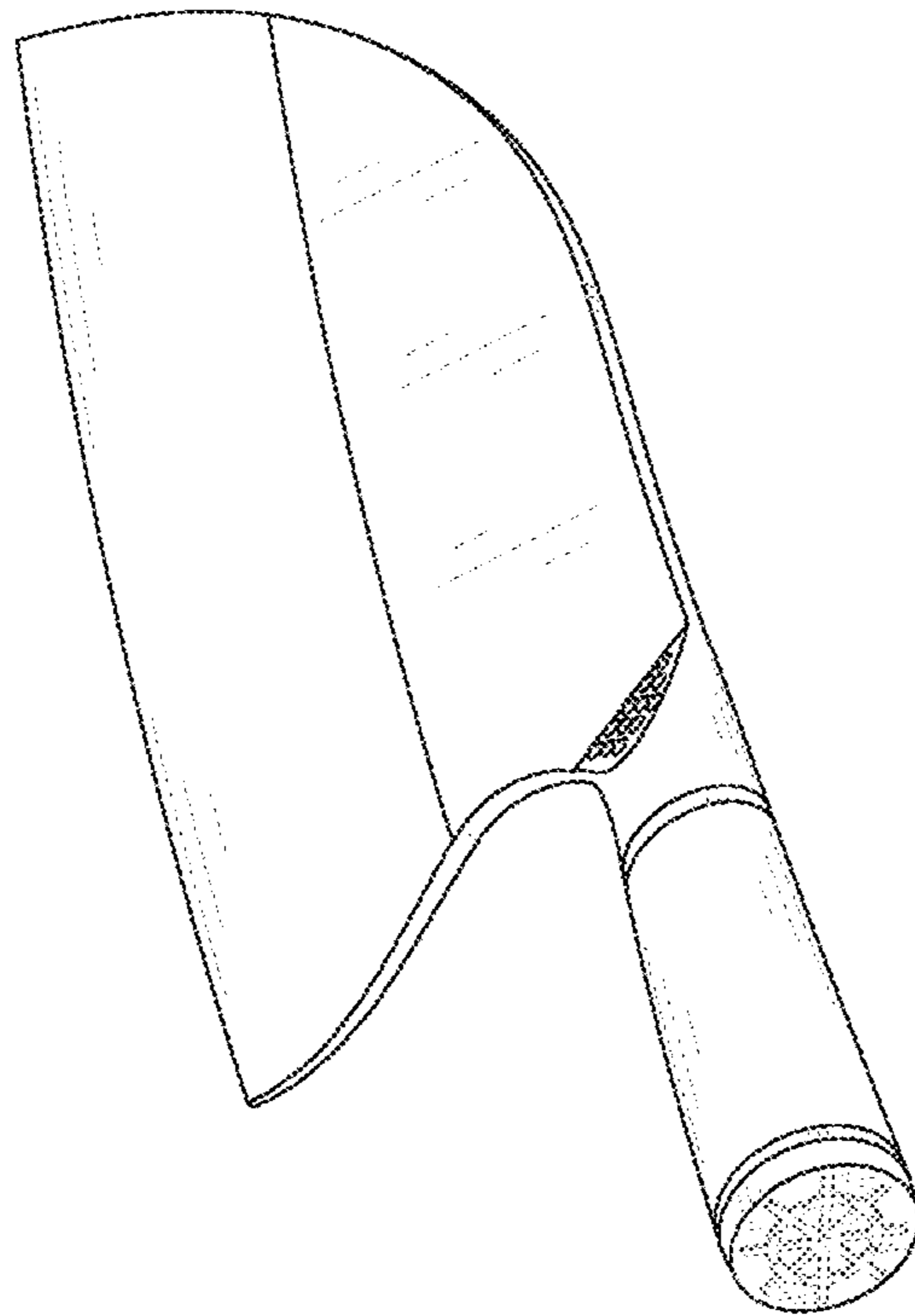


FIG. 7