



US00D945837S

(12) **United States Design Patent** (10) **Patent No.:** **US D945,837 S**
Carson (45) **Date of Patent:** **** Mar. 15, 2022**

(54) **INSULATED BEVERAGE CONTAINER WITH CAN HOLDER**

FOREIGN PATENT DOCUMENTS

(71) Applicant: **Matt Carson**, Warrenton, VA (US)

WO 2012051356 A2 4/2012
WO 2017068215 A1 4/2017

(72) Inventor: **Matt Carson**, Warrenton, VA (US)

OTHER PUBLICATIONS

(73) Assignee: **OUTSIDER LABS, LLC**, Warrenton, VA (US)

US Trademark Registration No. 5480162; Mark—Outsider Labs
Filing date: Oct. 9, 2017 Registration date: May 29, 2018.

(**) Term: **15 Years**

(Continued)

(21) Appl. No.: **29/748,278**

Primary Examiner — Joseph Kukella
Assistant Examiner — Darryl J Dardenne

(22) Filed: **Aug. 28, 2020**

(74) *Attorney, Agent, or Firm* — LegalForce RAPC
Worldwide

(51) **LOC (13) Cl.** **07-07**

(52) **U.S. Cl.**
USPC **D7/608**

(57) **CLAIM**

(58) **Field of Classification Search**
USPC D7/300, 313, 316, 507, 510, 511, 602,
D7/605, 608
CPC .. A47J 43/00; A47J 47/00; A47J 47/02; A47J
47/08; A47G 19/2205; A47G 23/16;
A47G 19/2272; A47G 19/2288; A47G
19/23; A45F 3/16; A45F 2200/0583;
B65D 1/265; B65D 3/22; B65D 81/3453;
B65D 81/3865

The ornamental design for an insulated beverage container with can holder, as shown and described.

See application file for complete search history.

DESCRIPTION

(56) **References Cited**

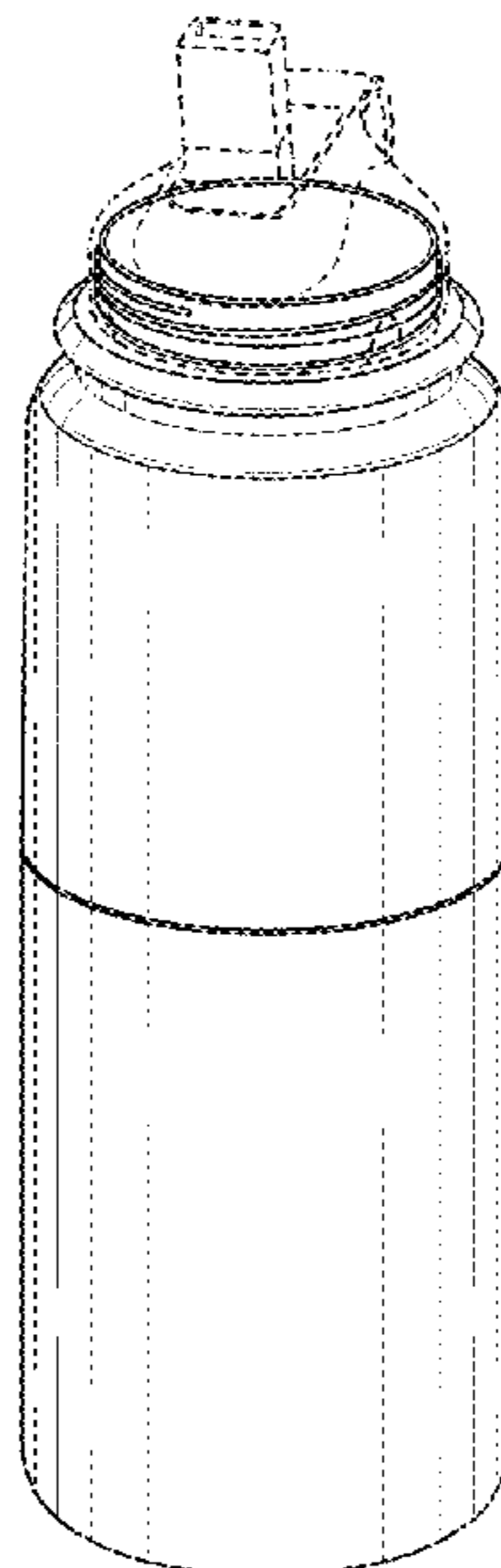
U.S. PATENT DOCUMENTS

5,086,926 A * 2/1992 Paige A47J 41/02
206/542
D360,338 S 7/1995 Westgerdes
D447,004 S 8/2001 Green
D488,675 S * 4/2004 Moore D7/608
D496,222 S 9/2004 Kleckauskas et al.
D593,876 S * 6/2009 Hayden D9/772
D625,616 S * 10/2010 Gogola D9/767
D626,414 S * 11/2010 Cresswell D9/500

FIG. 1 is a front top perspective view for an insulated beverage container with can holder, showing my new design;
FIG. 2 is a front elevational view of FIG. 1 thereof;
FIG. 3 is a rear elevational view of FIG. 1 thereof;
FIG. 4 is a left side elevational view of FIG. 1 thereof;
FIG. 5 is a right side elevational view of FIG. 1 thereof;
FIG. 6 is an exploded front top perspective view of insulated beverage container with can holder of FIG. 1 thereof; and,
FIG. 7 is a perspective view of the flipped top cup portion of insulated beverage container with can holder of FIG. 1 thereof with the bottom bottle portion removed to show details not disclosed in other views, the broken line showing of the can is included for the purpose of illustrating environment and form no part of the claimed design.
The broken lines indicate unclaimed portions of the design and form no part of the claimed design.

(Continued)

1 Claim, 7 Drawing Sheets



(56)

References Cited

U.S. PATENT DOCUMENTS

D641,591 S * 7/2011 Tsukida D7/608
 D647,369 S 10/2011 Bryman et al.
 D675,066 S * 1/2013 Conlin D7/608
 D683,590 S 6/2013 Austin
 D684,483 S * 6/2013 Jahina D9/772
 D688,520 S 8/2013 Lin
 D695,070 S 12/2013 Strobel et al.
 D700,808 S * 3/2014 Eyal D7/510
 D731,238 S 6/2015 Kalaouze, Jr.
 D768,507 S 10/2016 Hotell
 9,505,527 B1 * 11/2016 Campbell A47G 19/2205
 D783,368 S * 4/2017 Seiders D7/608
 D791,549 S * 7/2017 Goodwin A47G 19/2272
 D799,266 S 10/2017 Schroedter et al.
 D808,735 S * 1/2018 Beckman B65D 81/3823
 D812,992 S 3/2018 Pisarevsky
 D816,426 S * 5/2018 Washburn A47G 23/0241
 D850,205 S 6/2019 Hotell
 D850,854 S 6/2019 Lyons
 D861,431 S 10/2019 Demopoulos
 D867,068 S * 11/2019 Jacobsen D7/511
 D878,863 S 3/2020 Ke
 D892,548 S 8/2020 Yoon
 D897,774 S * 10/2020 Pisarevsky D7/507
 D901,250 S * 11/2020 McCabe D7/511
 D915,826 S * 4/2021 Ulla D7/507
 D917,969 S * 5/2021 Eyal D7/511
 D922,152 S * 6/2021 Seiders D7/608
 D931,060 S * 9/2021 Volkoff D7/608

D931,681 S * 9/2021 McCabe D7/510
 2009/0188884 A1 * 7/2009 Nelson B65D 81/3205
 2017/0166385 A1 * 6/2017 Pisarevsky A47G 23/0241
 2019/0047773 A1 * 2/2019 Bullock B65D 47/142
 2019/0337675 A1 * 11/2019 Rajendran B65D 81/3823
 2020/0130904 A1 * 4/2020 Jones A47G 19/2272

OTHER PUBLICATIONS

US Trademark Registration No. 5480164; Mark—Outsider Labs
 Filing date: Oct. 9, 2017 Registration date: May 29, 2018.
 “3 In 1 Insulated Stainless Steel Vacuum Sealed Beer Bottle” by
 Grand Fusion Housewares, Published Online on [May 9, 2019]
https://cdn.shopify.com/s/files/1/0040/3790/2425/products/IcyBev2.0Instructions_2048xjpg?v=1598373814.
 “2 in 1 Can & Bottle Insulated Cooler Thermos” by Bison Coolers,
 Found Online on [Aug. 31, 2020] https://images-na.ssl-images-amazon.com/images/I/51MQOUIJpmL._AC_SL1001_.jpg.
 “Frosty Beer Can Cooler Double Walled Insulated Stainless Steel
 with Beer Bottle Extension and Opener” by ASOBU, Published
 Online on [Aug. 7, 2016] https://images-na.ssl-images-amazon.com/images/I/71dYxF5CqRL._AC_SL1500_.jpg.
 “Beer Bottle Thermos Beer Bottle Cooler Insulated Beer Bottle
 Holder” by Wingprint, Published Online on [Mar. 3, 2020] https://images-na.ssl-images-amazon.com/images/I/919pdgiGLfL._AC_SL1500_.jpg.
 “Beer Bottle Cooler—Insulated Beer Bottle Holder—Stainless Steel
 Beer Cooler Insulator” by Bottle Thermos, Found Online on [Jan.
 12, 2020] https://images-na.ssl-images-amazon.com/images/I/71cun0jLAnL._AC_SL1500_.jpg.

* cited by examiner

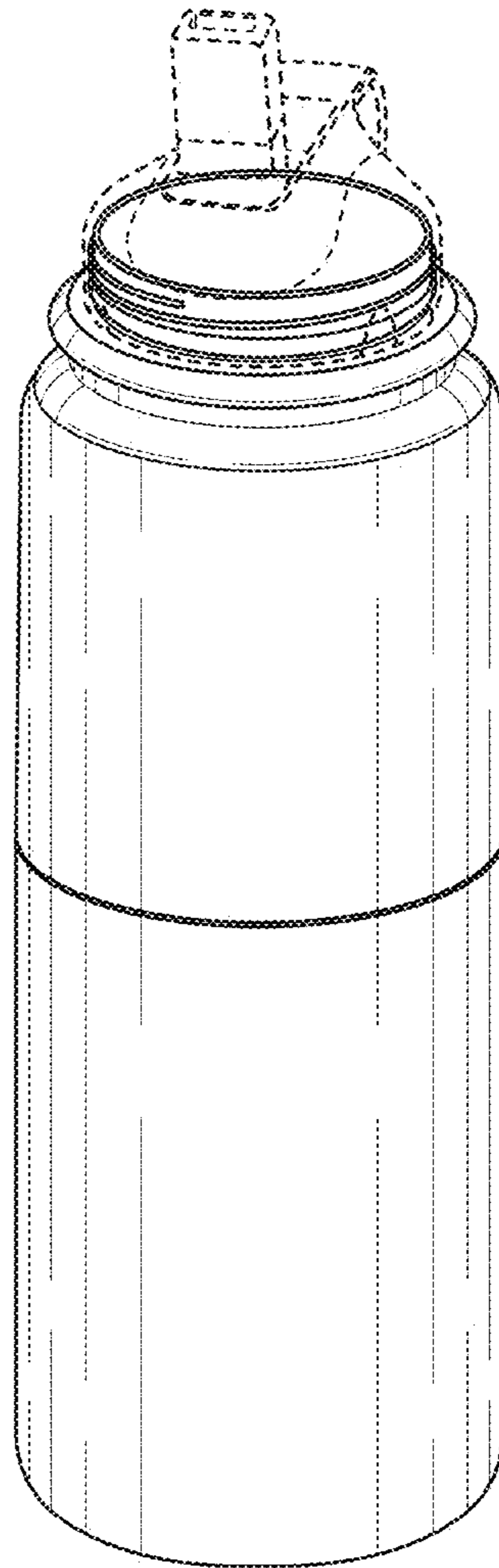


FIG. 1

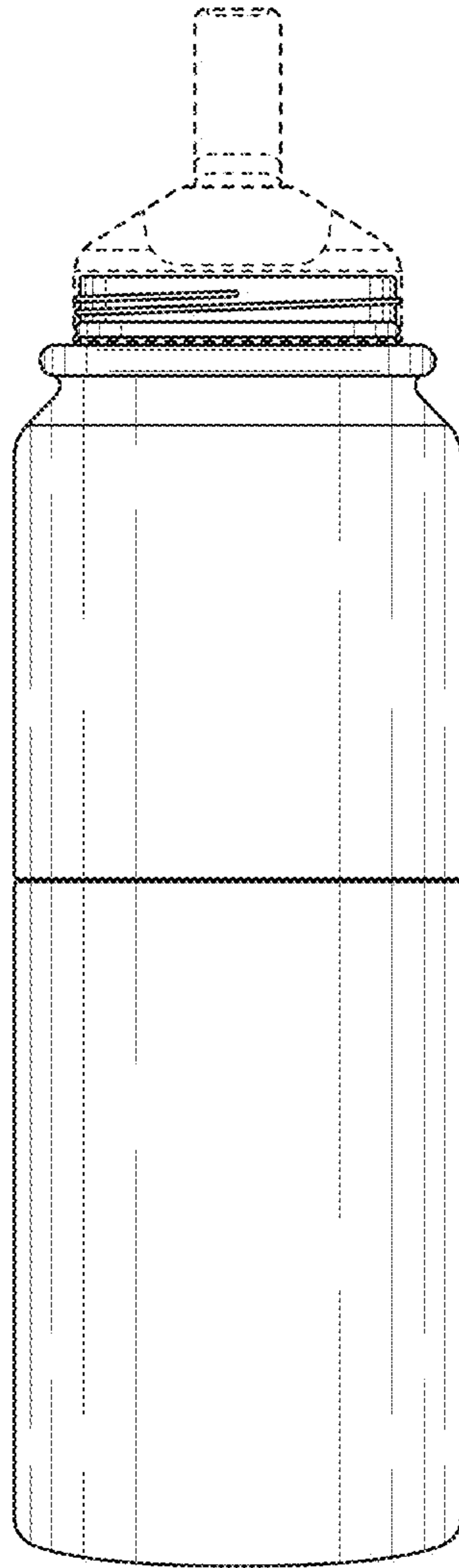


FIG. 2

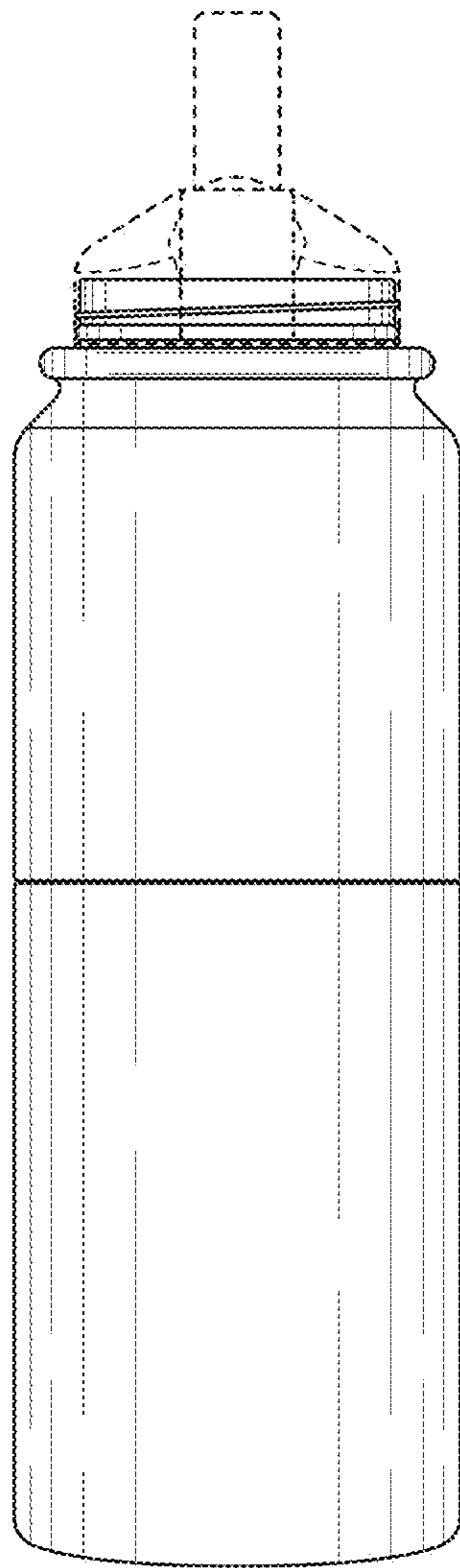


FIG. 3

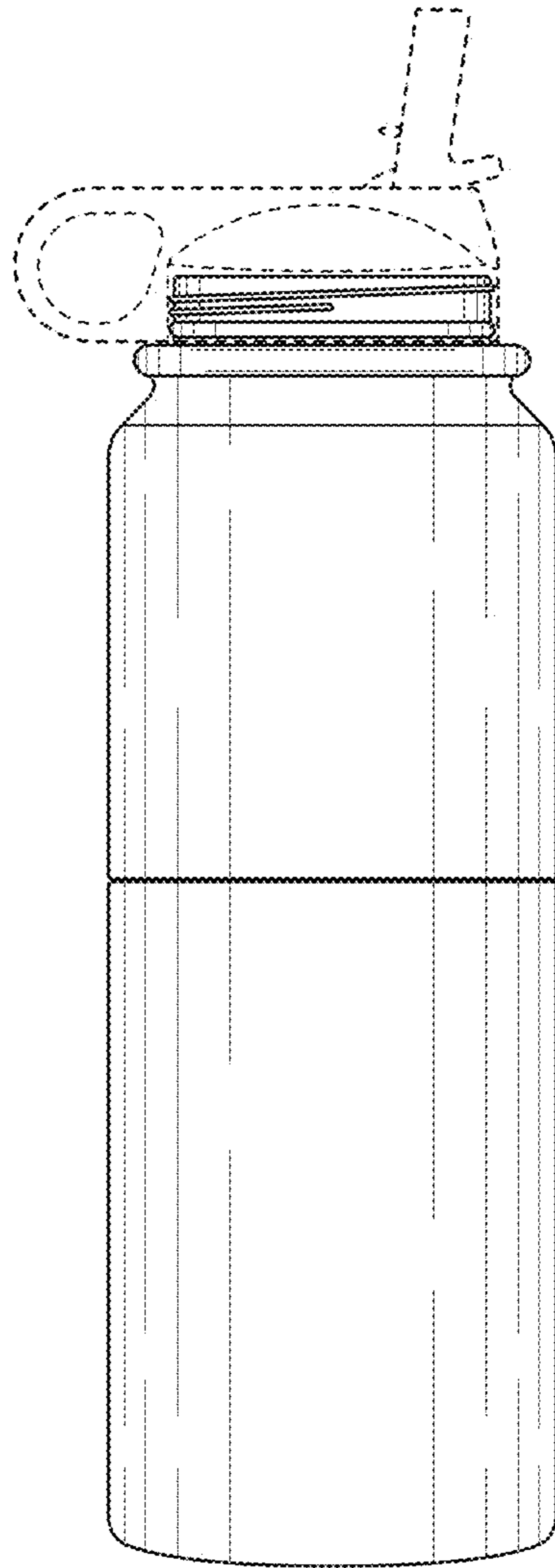


FIG. 4

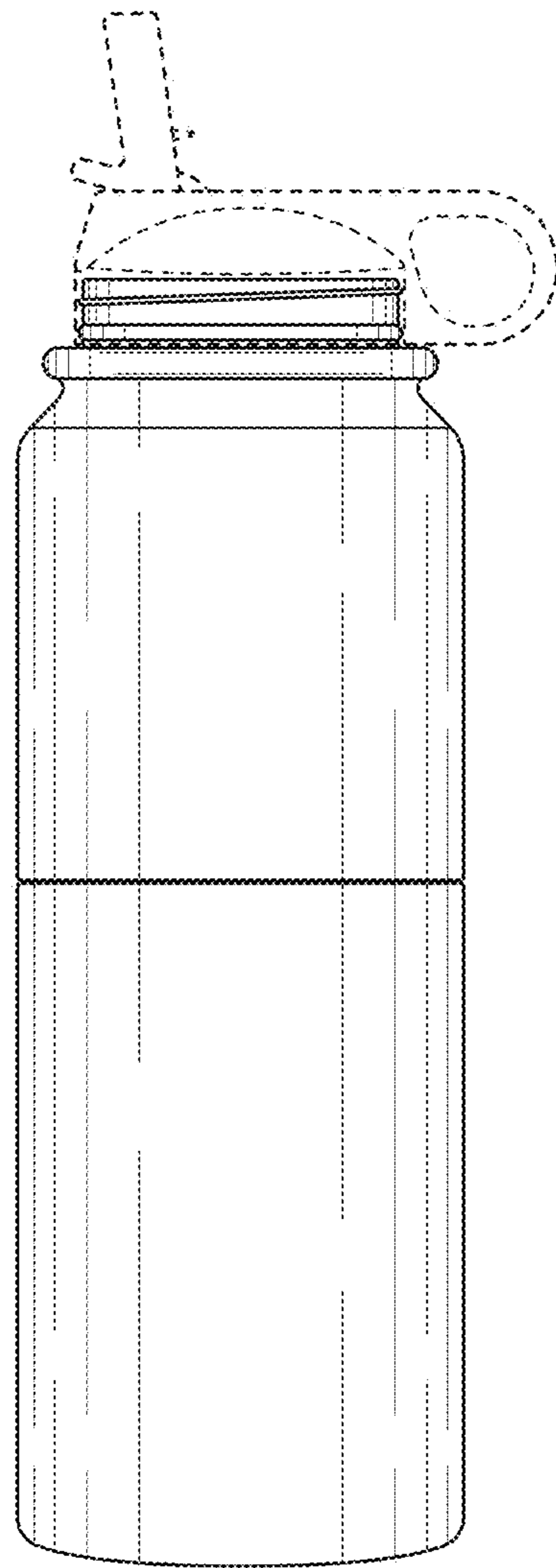
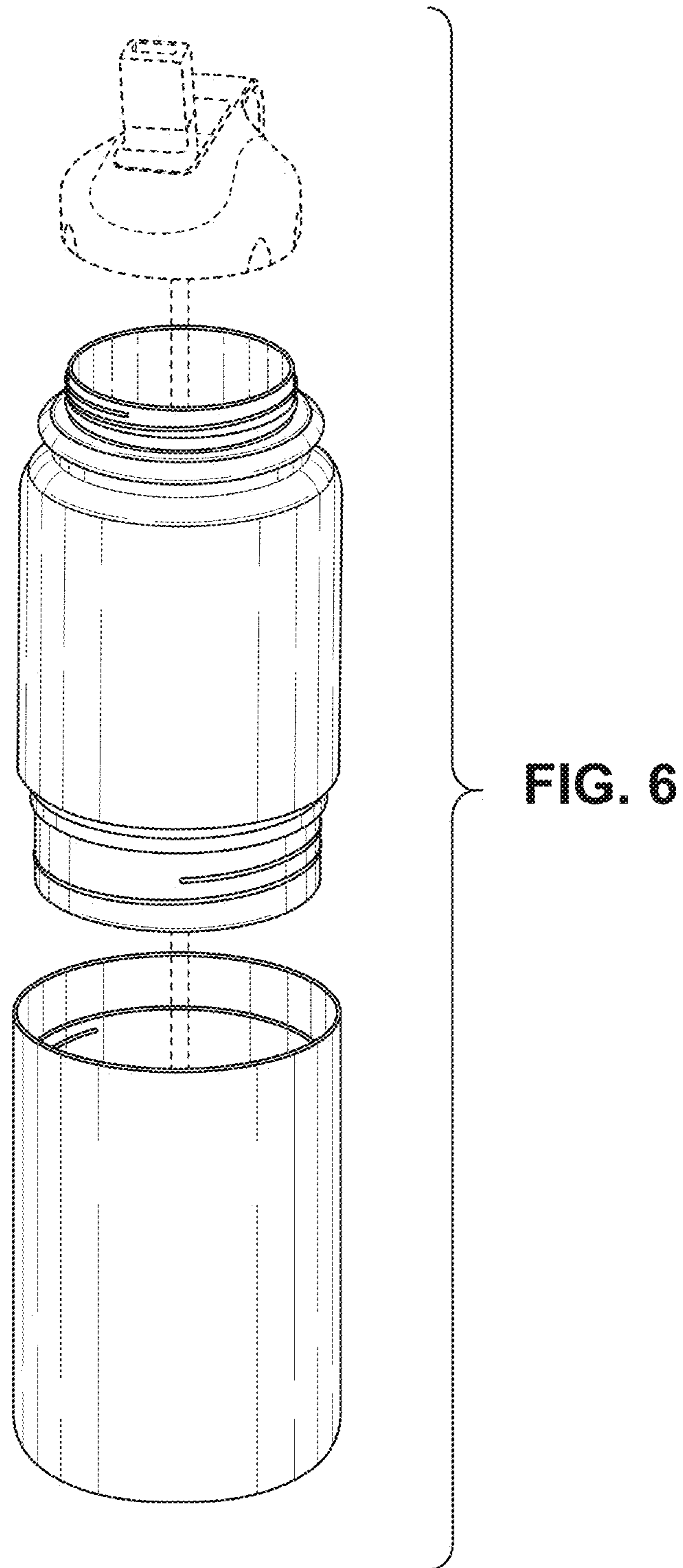


FIG. 5



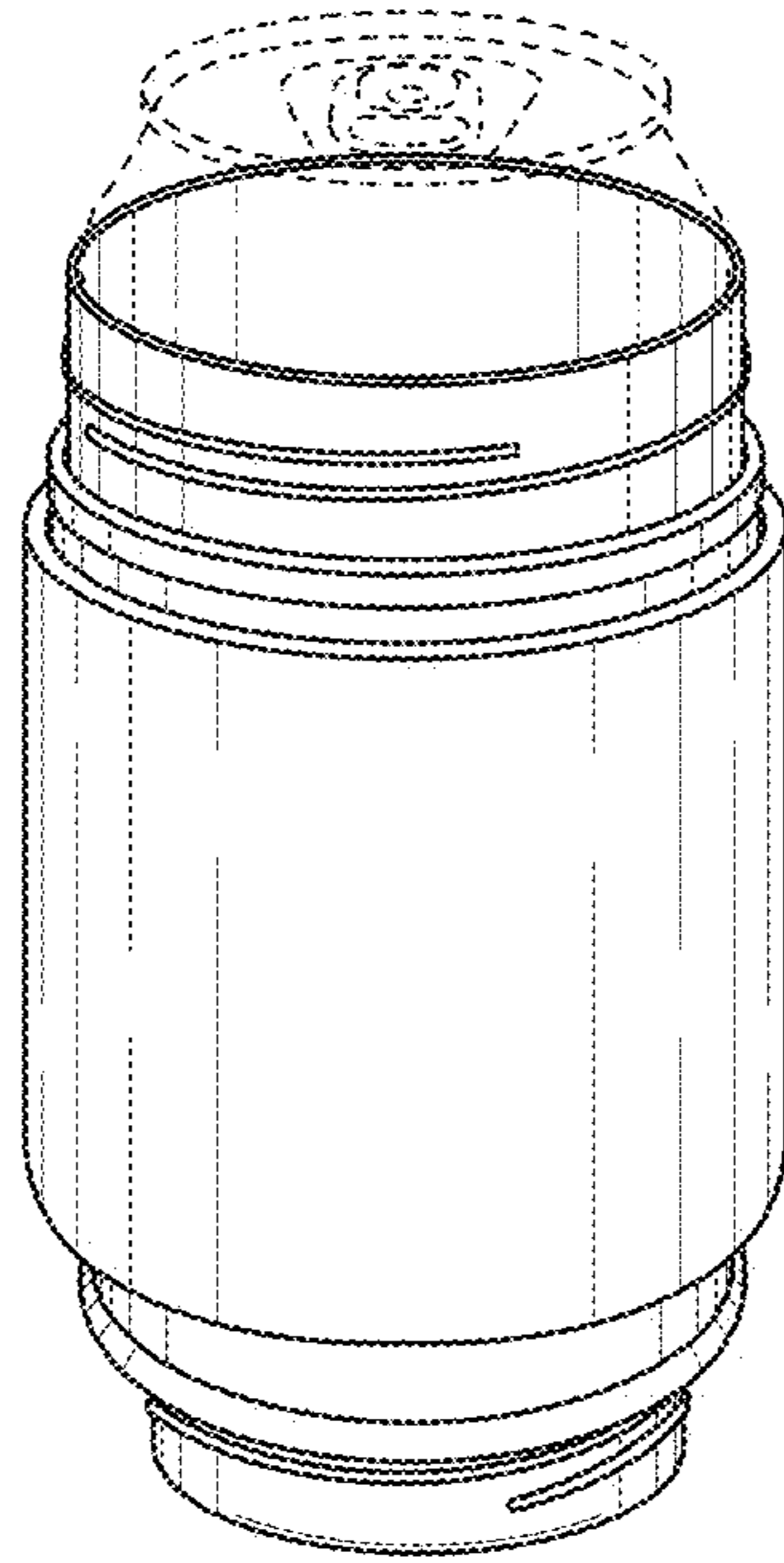


FIG. 7