



US00D945836S

(12) **United States Design Patent**
Aranda et al.

(10) **Patent No.:** **US D945,836 S**
(45) **Date of Patent:** **** Mar. 15, 2022**

(54) **BEVERAGE CONTAINER**
(71) Applicant: **Thermos L.L.C.**, Schaumburg, IL (US)
(72) Inventors: **Freddy Aranda**, Chicago, IL (US);
Audra Norvilas, Palos Park, IL (US)
(73) Assignee: **Thermos L.L.C.**, Schaumburg, IL (US)
(**) Term: **15 Years**

D651,045 S * 12/2011 Eyal D7/510
D652,682 S * 1/2012 Eyal D7/510
D654,762 S * 2/2012 Gilbert D7/510
D662,361 S * 6/2012 Eyal D7/510
D697,802 S 1/2014 Lane
D709,734 S * 7/2014 Kotani D7/608
D727,102 S * 4/2015 Eyal D7/523
D741,657 S * 10/2015 George D7/510
D797,508 S 9/2017 Gobrecht
D797,509 S 9/2017 Gobrecht
D804,807 S * 12/2017 Wengreen D3/203.1
D806,545 S * 1/2018 Circosta D9/449

(Continued)

(21) Appl. No.: **29/727,328**
(22) Filed: **Mar. 10, 2020**
(51) **LOC (13) Cl.** **07-07**
(52) **U.S. Cl.**
USPC **D7/608**
(58) **Field of Classification Search**
USPC D7/300, 313, 316, 507, 510, 511, 602,
D7/605, 608
CPC .. A47J 43/00; A47J 47/00; A47J 47/02; A47J
47/08; A47G 19/2205; A47G 23/16;
A47G 19/2272; A47G 19/2288; A47G
19/23; A45F 3/16; A45F 2200/0583;
B65D 1/265; B65D 3/22; B65D 81/3453;
B65D 81/3865
See application file for complete search history.

Primary Examiner — George D. Kirschbaum
Assistant Examiner — Darryl J Dardenne
(74) *Attorney, Agent, or Firm* — Polsinelli PC

(57) **CLAIM**

The ornamental design for a beverage container, as shown and described.

DESCRIPTION

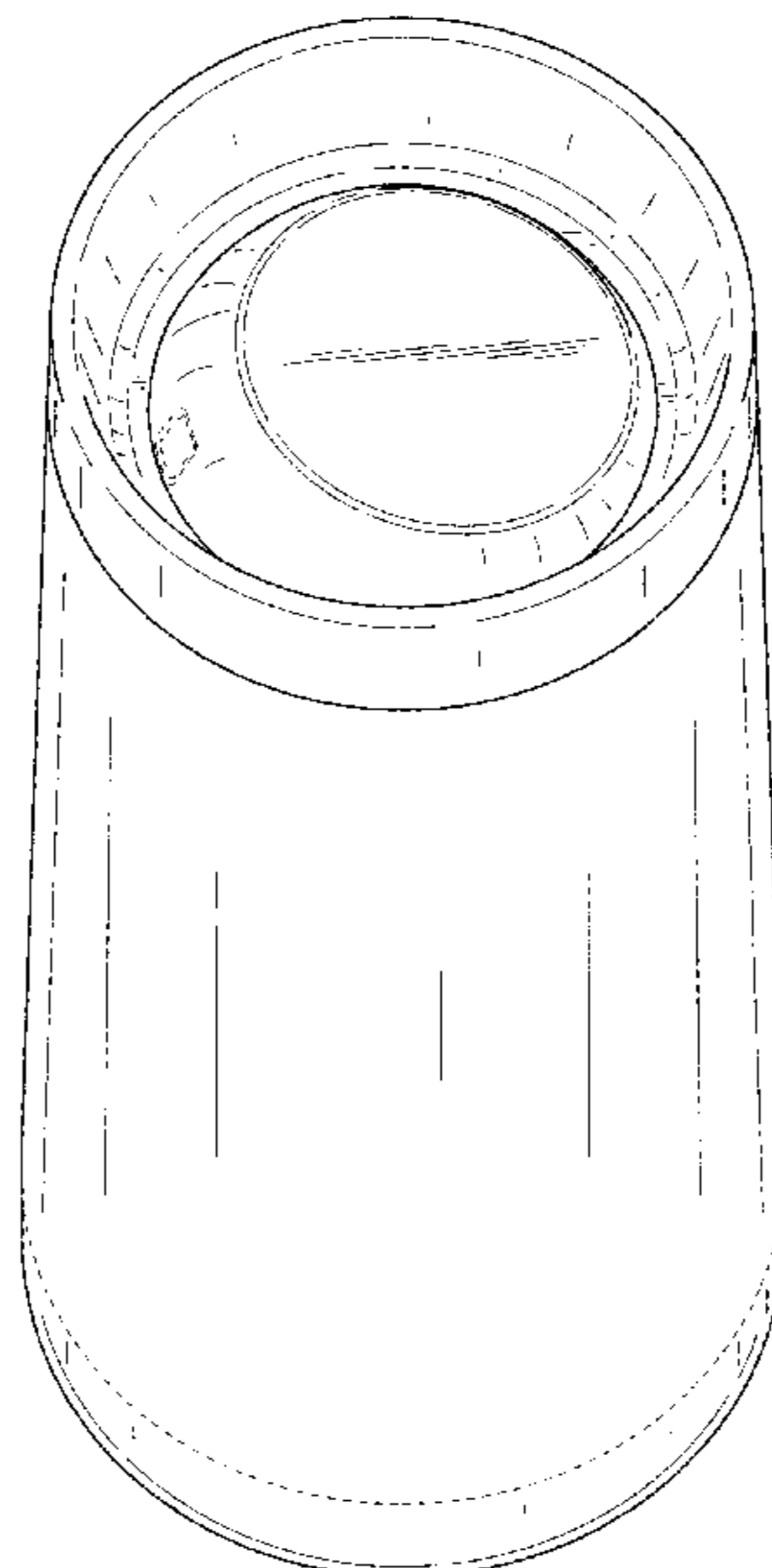
FIG. 1 is an upper perspective view of a beverage container; FIG. 2 is a second upper perspective view of the beverage container; FIG. 3 is a third upper perspective view of the beverage container; FIG. 4 is a front view of the beverage container; FIG. 5 is a rear view of the beverage container; FIG. 6 is a right side view of the beverage container; FIG. 7 is a left side view of the beverage container; FIG. 8 is a top view of the beverage container; and, FIG. 9 is a bottom view of the beverage container; The broken lines showing in the figures are included for the purpose of illustrating portions of the beverage container that form no part of the claimed design. The dash-dot lines showing in the figures are included for defining the bounds of the claimed design that form no part thereof.

(56) **References Cited**

U.S. PATENT DOCUMENTS

D286,604 S * 11/1986 Bierlein D11/152
D507,721 S 7/2005 Schuler et al.
D592,909 S * 5/2009 Alviar D7/510
D599,168 S * 9/2009 Alviar D7/510
D612,747 S * 3/2010 Ball D9/772
D615,359 S * 5/2010 George D7/510
D622,547 S 8/2010 Carreno
D629,252 S * 12/2010 Alviar D7/510
D632,525 S * 2/2011 George D7/523
D641,591 S * 7/2011 Tsukida D7/608
D648,599 S 11/2011 Watanabe et al.

1 Claim, 8 Drawing Sheets



(56)

References Cited

U.S. PATENT DOCUMENTS

D827,388	S	*	9/2018	Kander	D7/608
D859,079	S		9/2019	Boroski		
D874,227	S	*	2/2020	Fleischhut	D7/608
D878,156	S	*	3/2020	Rittri	D7/511
D878,160	S	*	3/2020	Corbet	D7/523
10,654,623	B2	*	5/2020	Circosta	B65D 47/30
D900,313	S	*	10/2020	Chen	D24/121
D911,778	S	*	3/2021	Jacobsen	D7/511
D923,408	S	*	6/2021	Hamilton	D7/510
D926,522	S	*	8/2021	Kander	D7/523
2021/0155384	A1	*	5/2021	McCluskey	B65D 39/0005

* cited by examiner

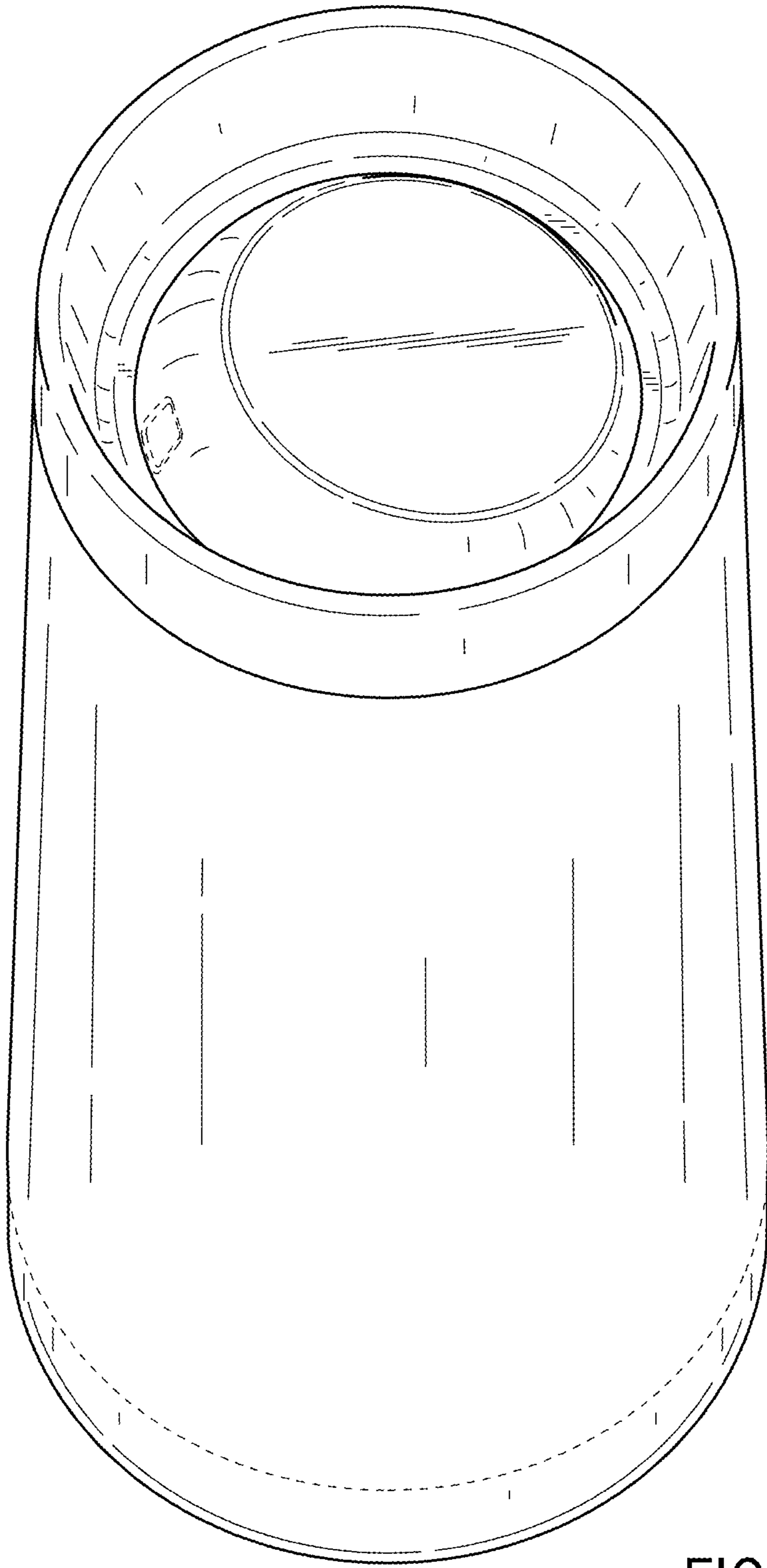


FIG. 1

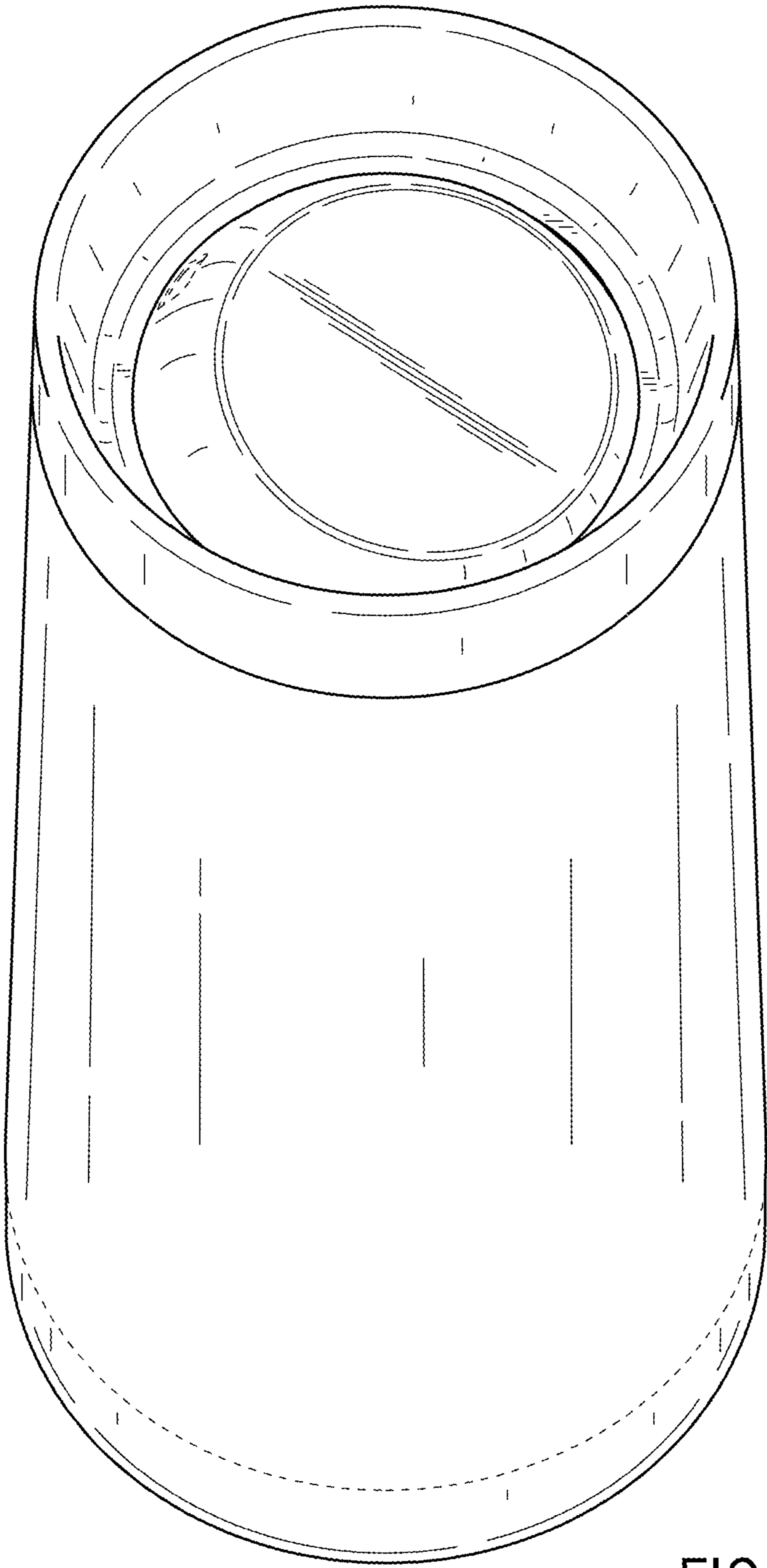


FIG. 2

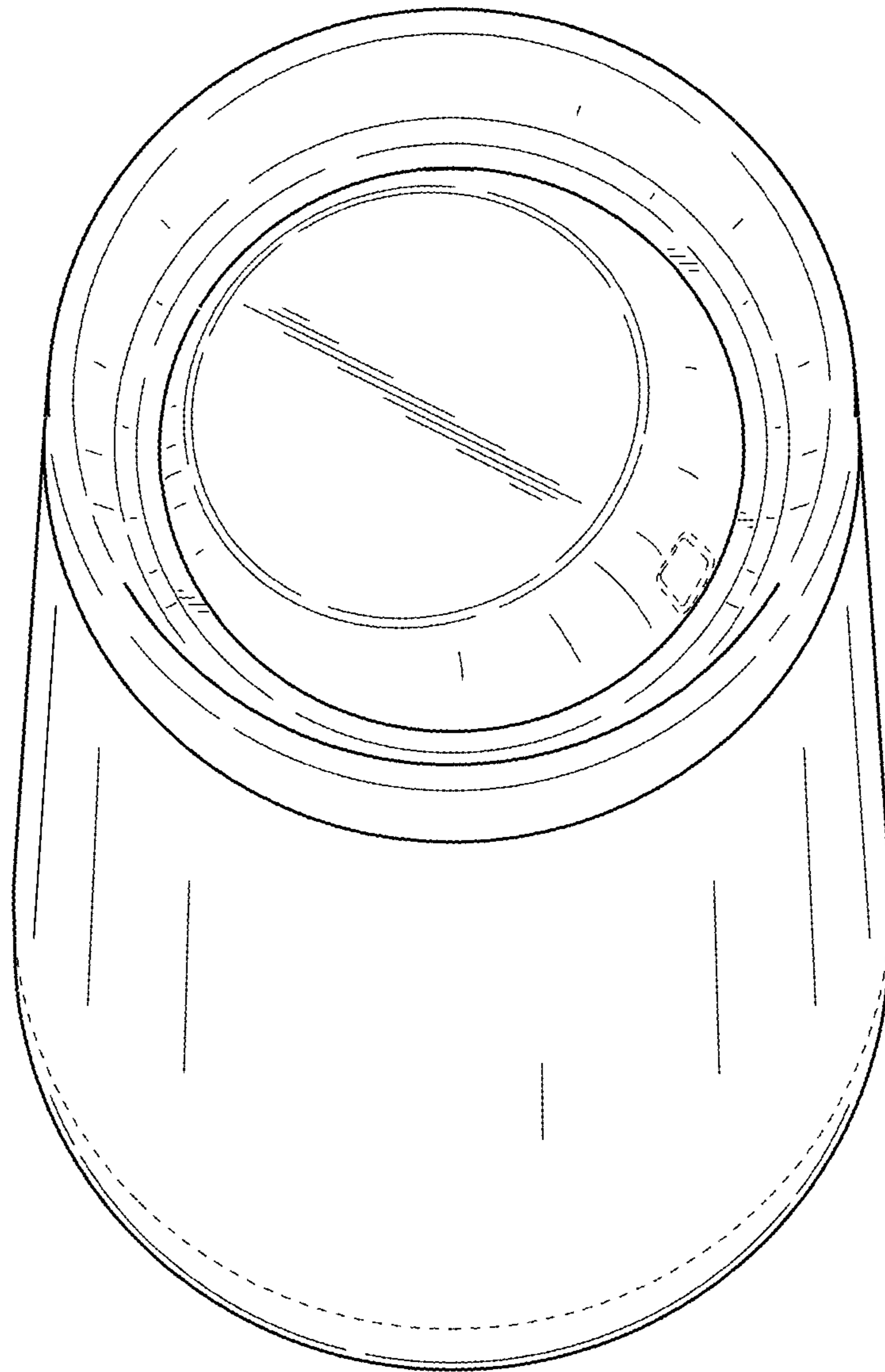


FIG. 3

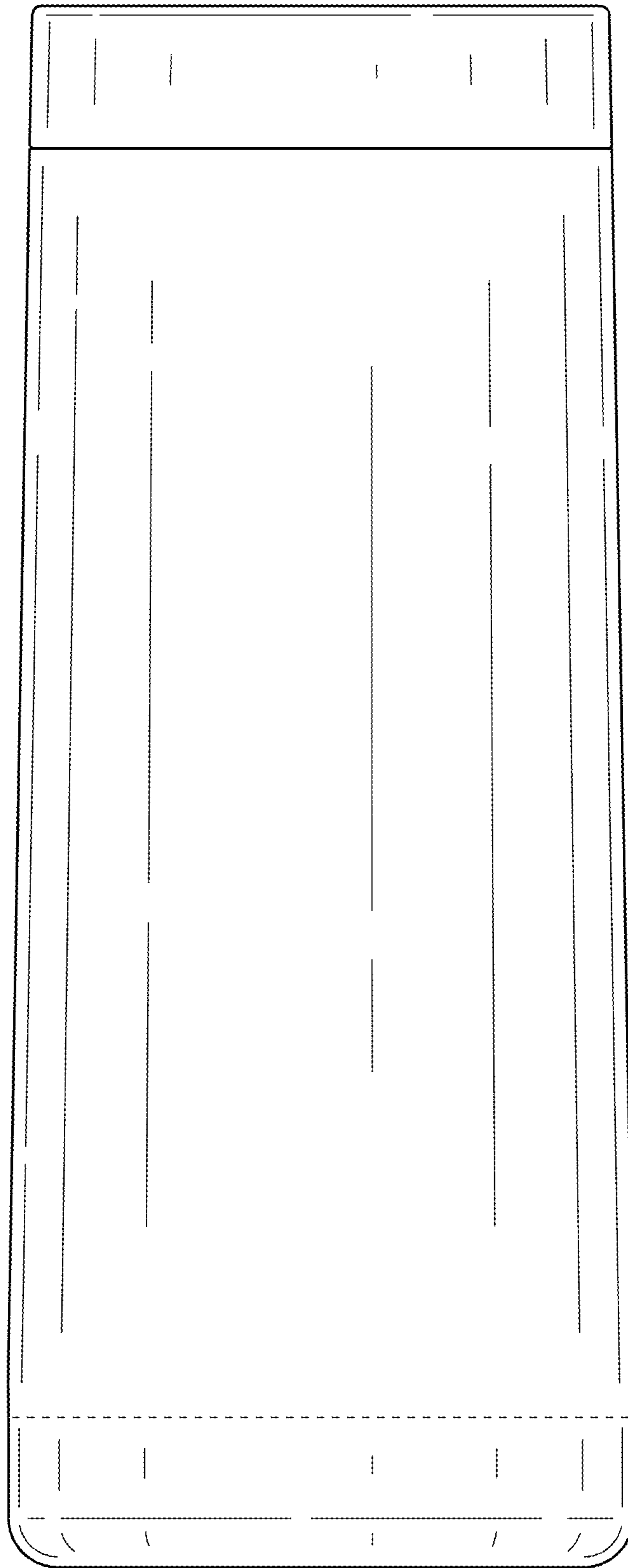


FIG. 4

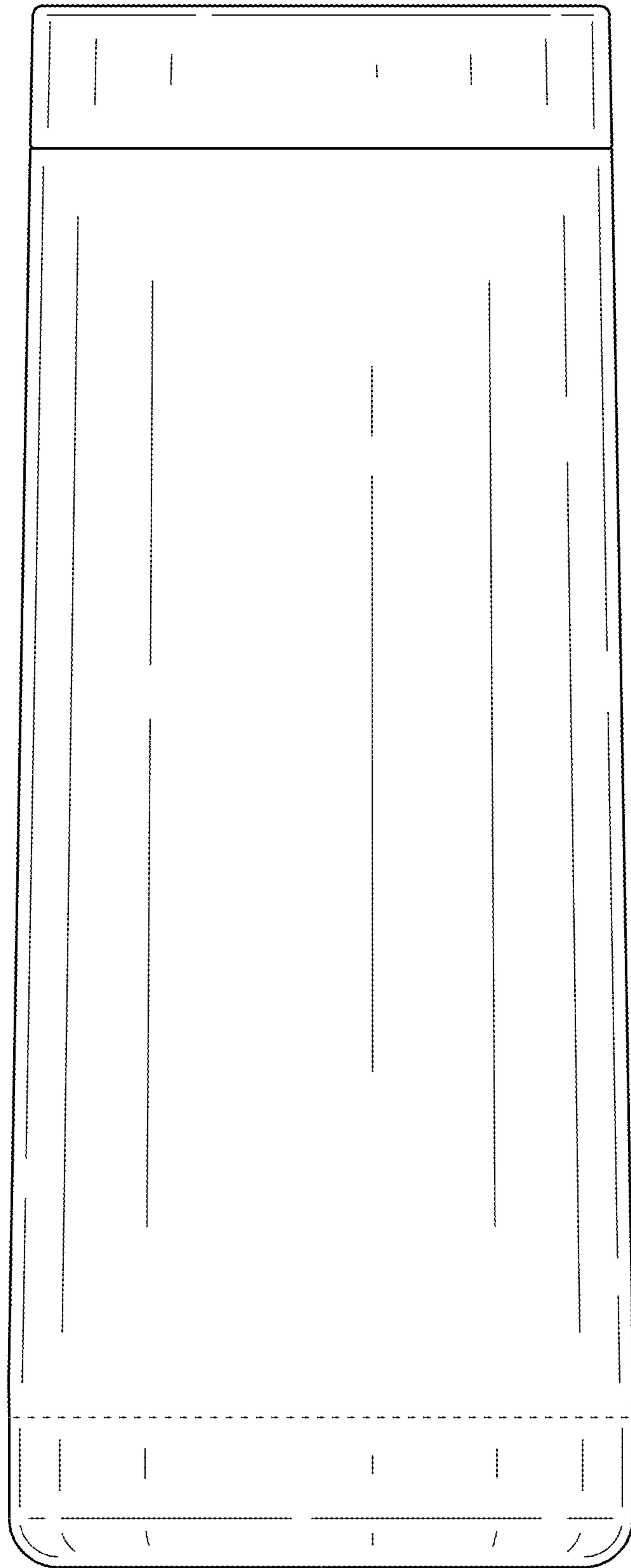


FIG. 5

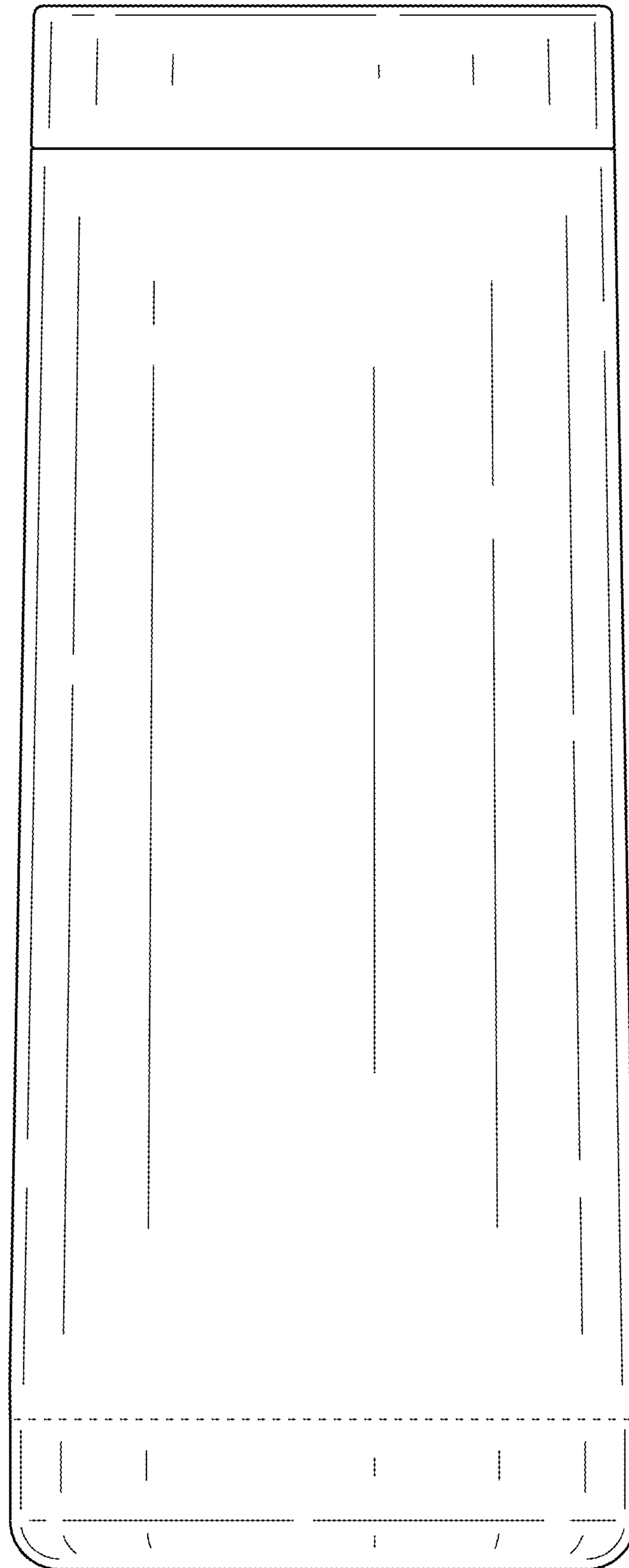


FIG. 6

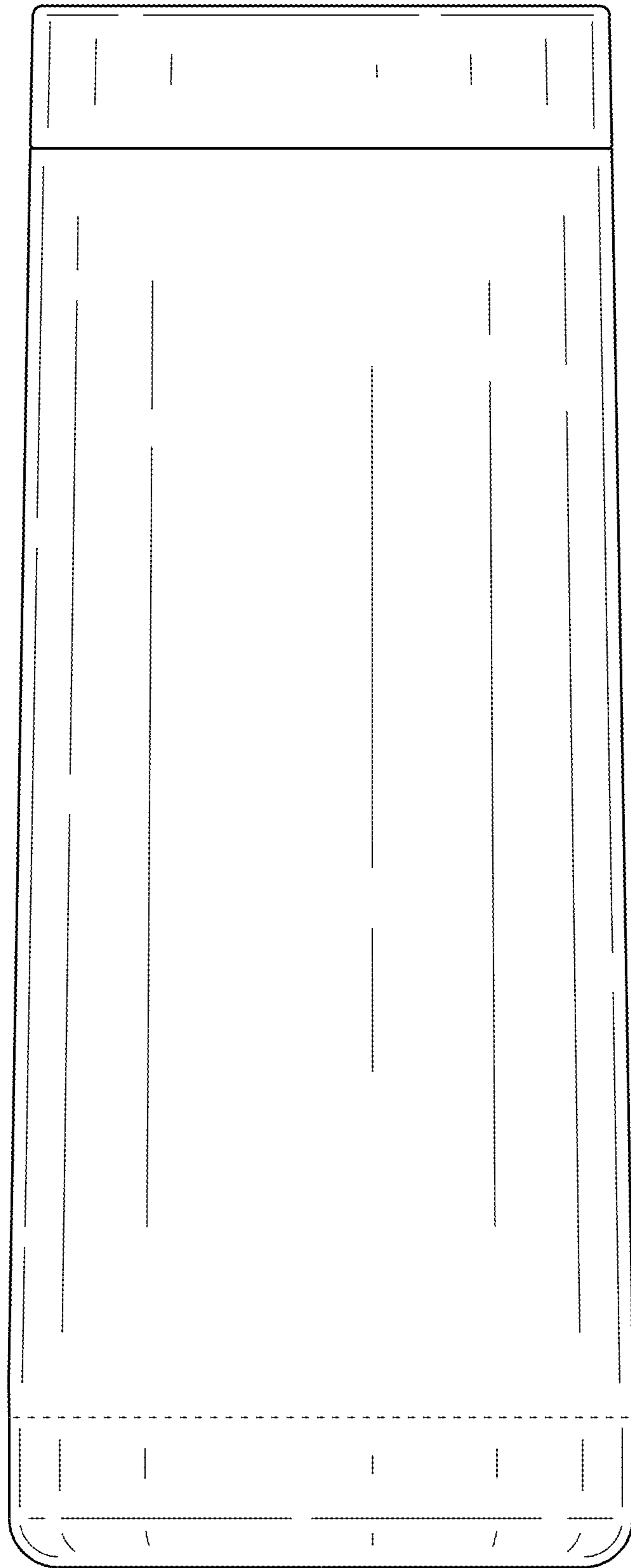


FIG. 7

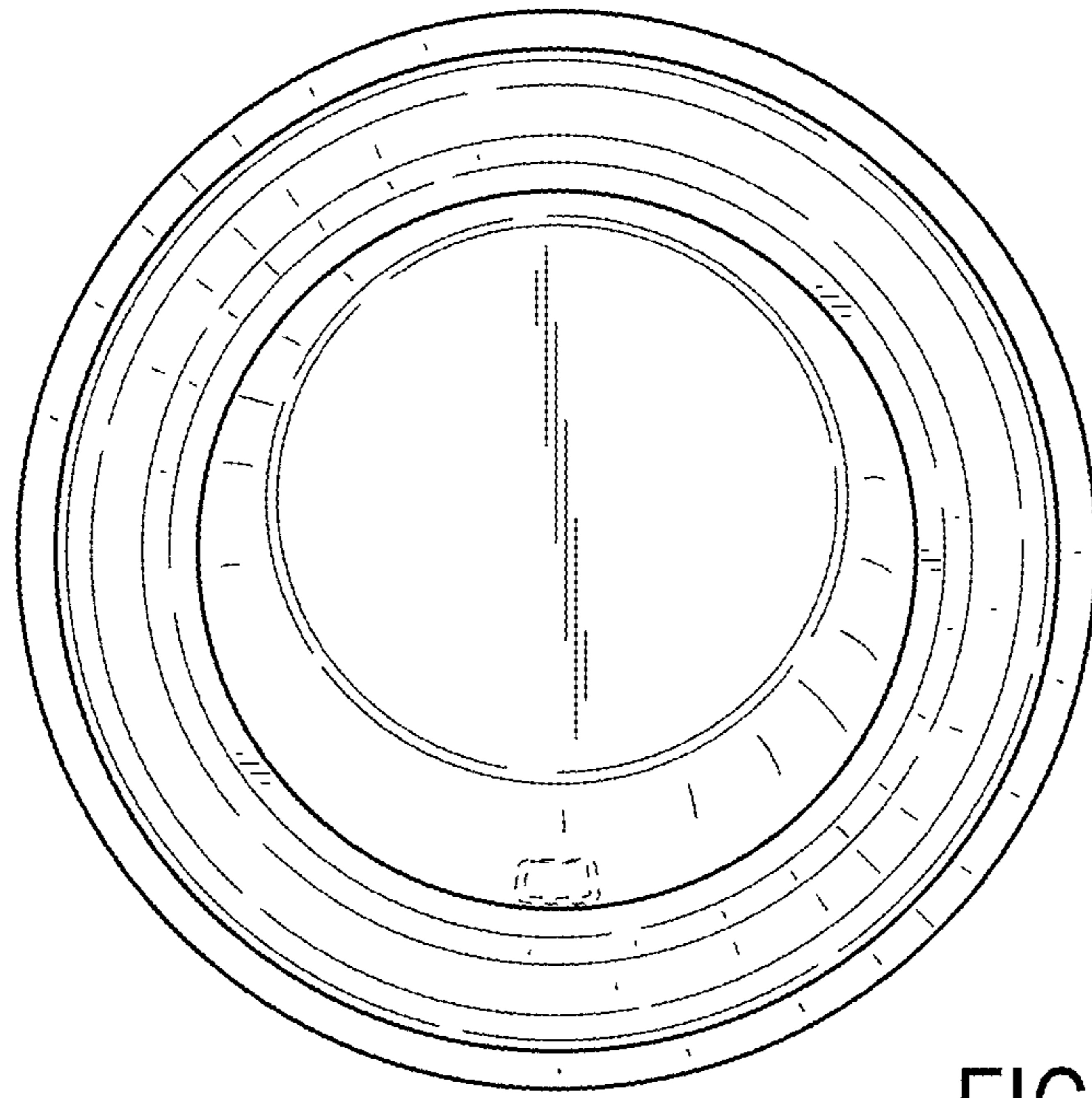


FIG. 8

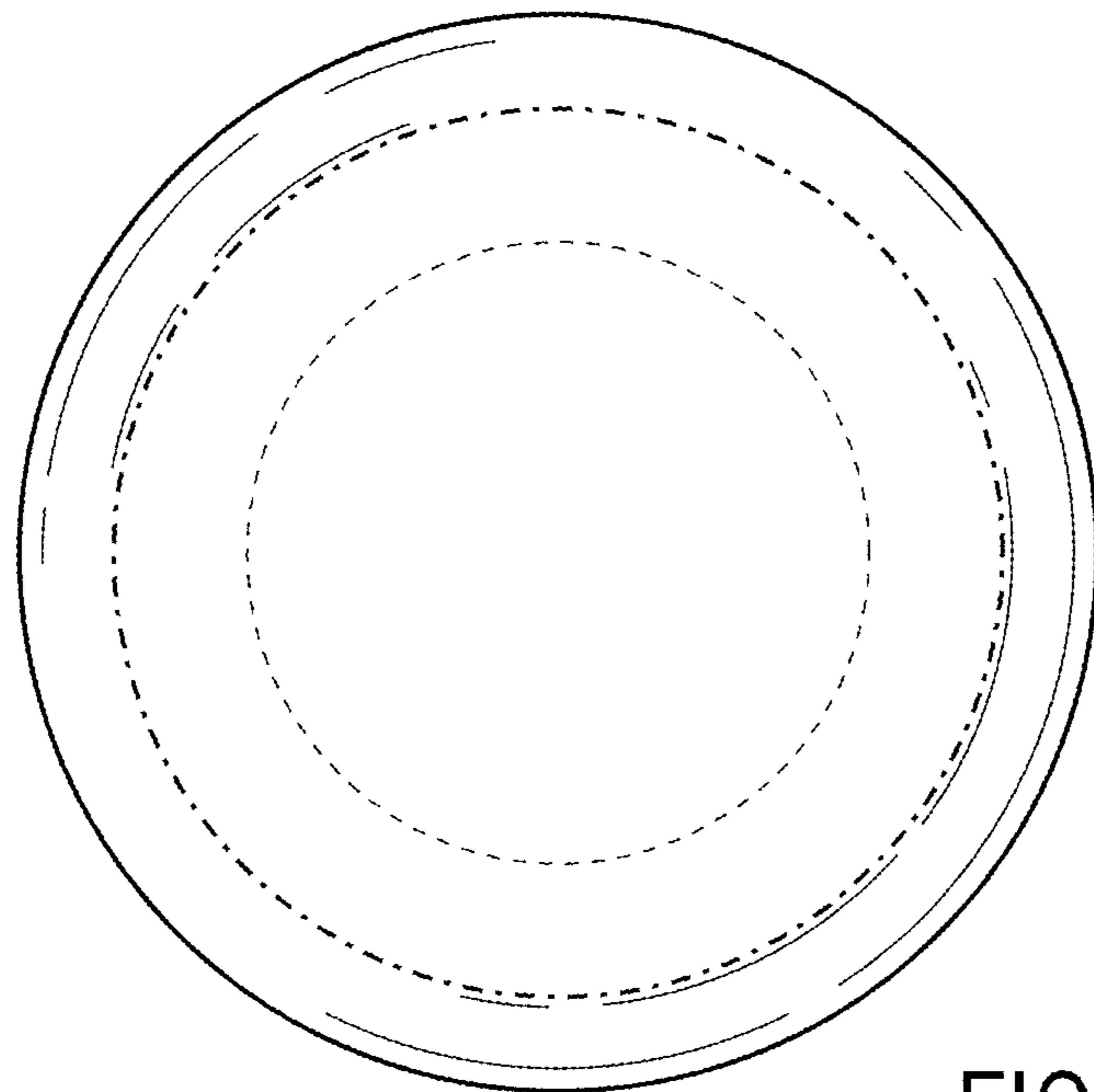


FIG. 9