



US00D945831S

(12) **United States Design Patent**
Matsumoto

(10) **Patent No.:** **US D945,831 S**
(45) **Date of Patent:** **** Mar. 15, 2022**

(54) **WINE COOLER**
(71) Applicant: **TEX E.G. CO., LTD.**, Tokyo (JP)
(72) Inventor: **Hiroyuki Matsumoto**, Tokyo (JP)
(73) Assignee: **TEX E.G. CO., LTD.**, Tokyo (JP)
(**) Term: **15 Years**
(21) Appl. No.: **29/729,990**
(22) Filed: **Mar. 31, 2020**

D543,788 S * 6/2007 Hong D7/603
D557,991 S * 12/2007 Hong D7/587
D829,510 S * 10/2018 Harms D7/603

FOREIGN PATENT DOCUMENTS

JP D1605771 S 6/2018

* cited by examiner

Primary Examiner — Terry A Wallace

(74) *Attorney, Agent, or Firm* — Seed IP Law Group LLP

(30) **Foreign Application Priority Data**

Oct. 2, 2019 (JP) 2019-022161

(51) **LOC (13) Cl.** **07-01**

(52) **U.S. Cl.**
USPC **D7/603**

(58) **Field of Classification Search**

USPC D7/619.1-625, 603, 605, 607; D15/79
CPC .. F25D 31/007; F25D 2331/803; F25B 21/04;
A47G 23/0216; A47G 23/0241; A47G
19/2283; B65D 81/38; B65D 81/3876;
B65D 81/3881; B65D 81/3886; B65D
81/3888; B65D 81/389; B65D 81/3893;
B65D 81/3895; B65D 81/3869; B65D
81/3897; B65D 81/3883

See application file for complete search history.

(56) **References Cited**

U.S. PATENT DOCUMENTS

6,330,808 B1 * 12/2001 Kouwenberg F25D 31/007
62/372

(57) **CLAIM**

The ornamental design for a wine cooler, as shown and described.

DESCRIPTION

FIG. 1 is a front elevational view of a wine cooler showing my new design.

FIG. 2 is a rear elevational view thereof.

FIG. 3 is a left side elevational view thereof.

FIG. 4 is a right side elevational view thereof.

FIG. 5 is a top plan view thereof.

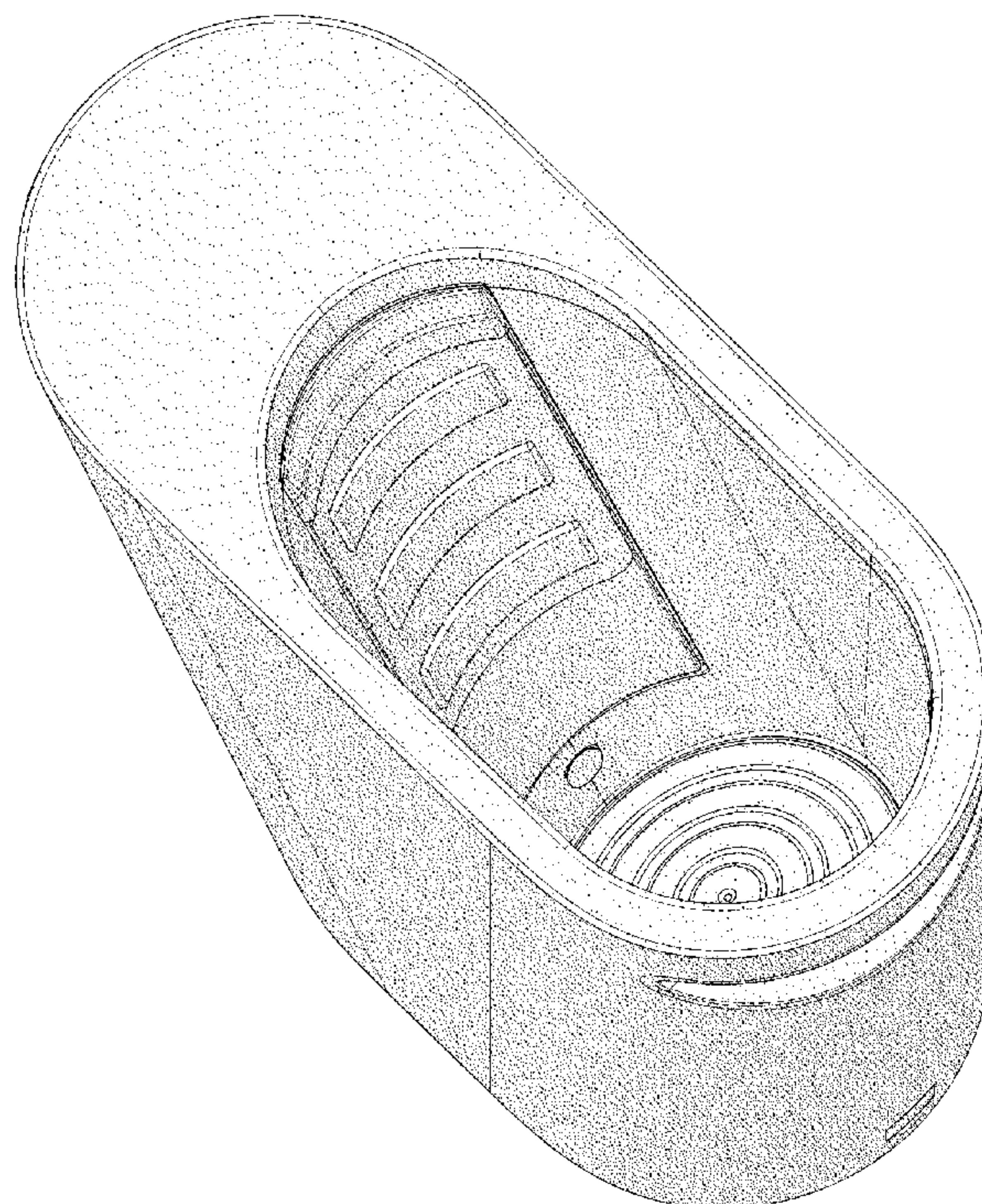
FIG. 6 is a bottom plan view thereof.

FIG. 7 is a front perspective view thereof.

FIG. 8 is a top perspective view thereof; and,

FIG. 9 is a bottom perspective view thereof.

1 Claim, 8 Drawing Sheets



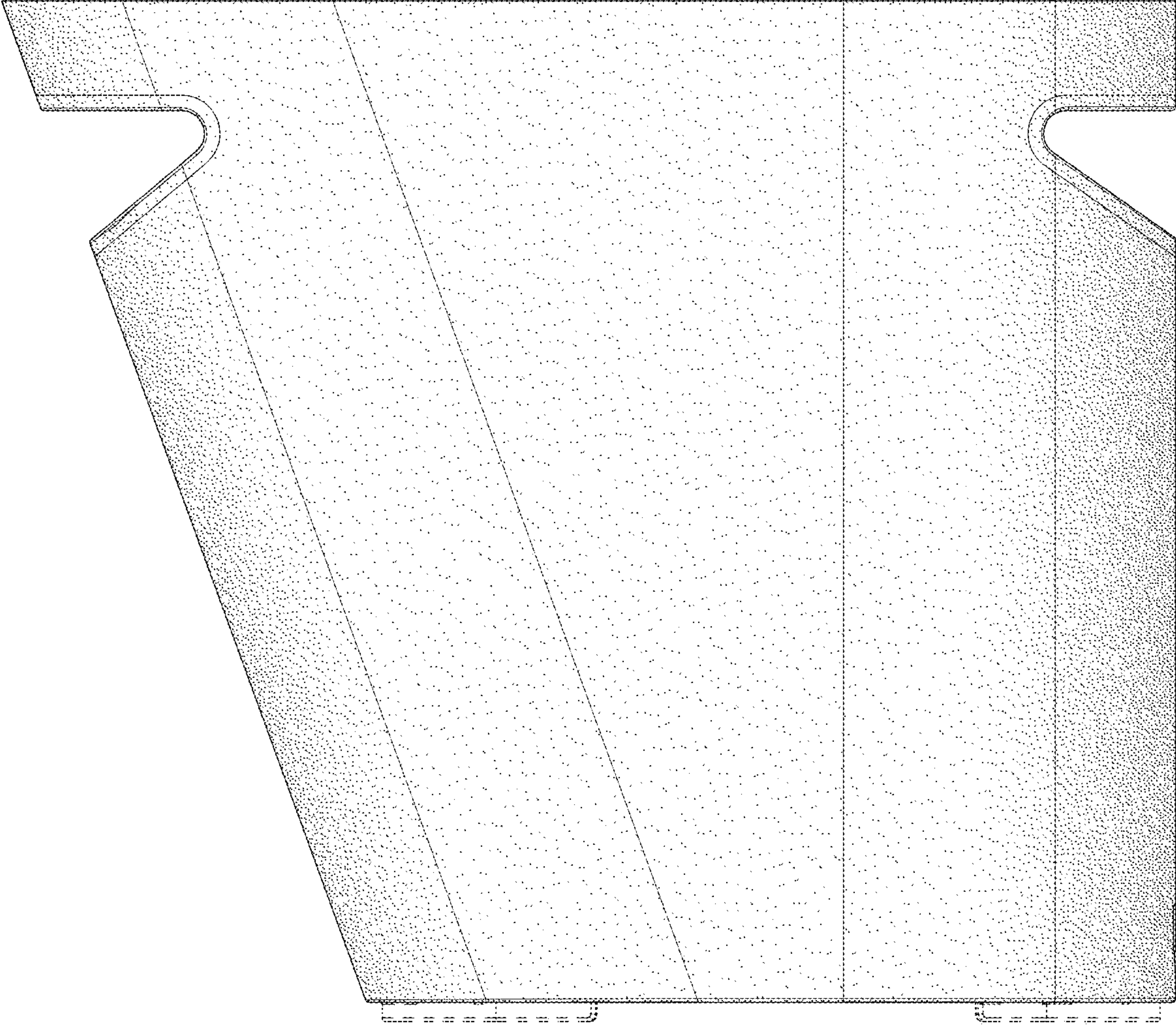


FIG. 1

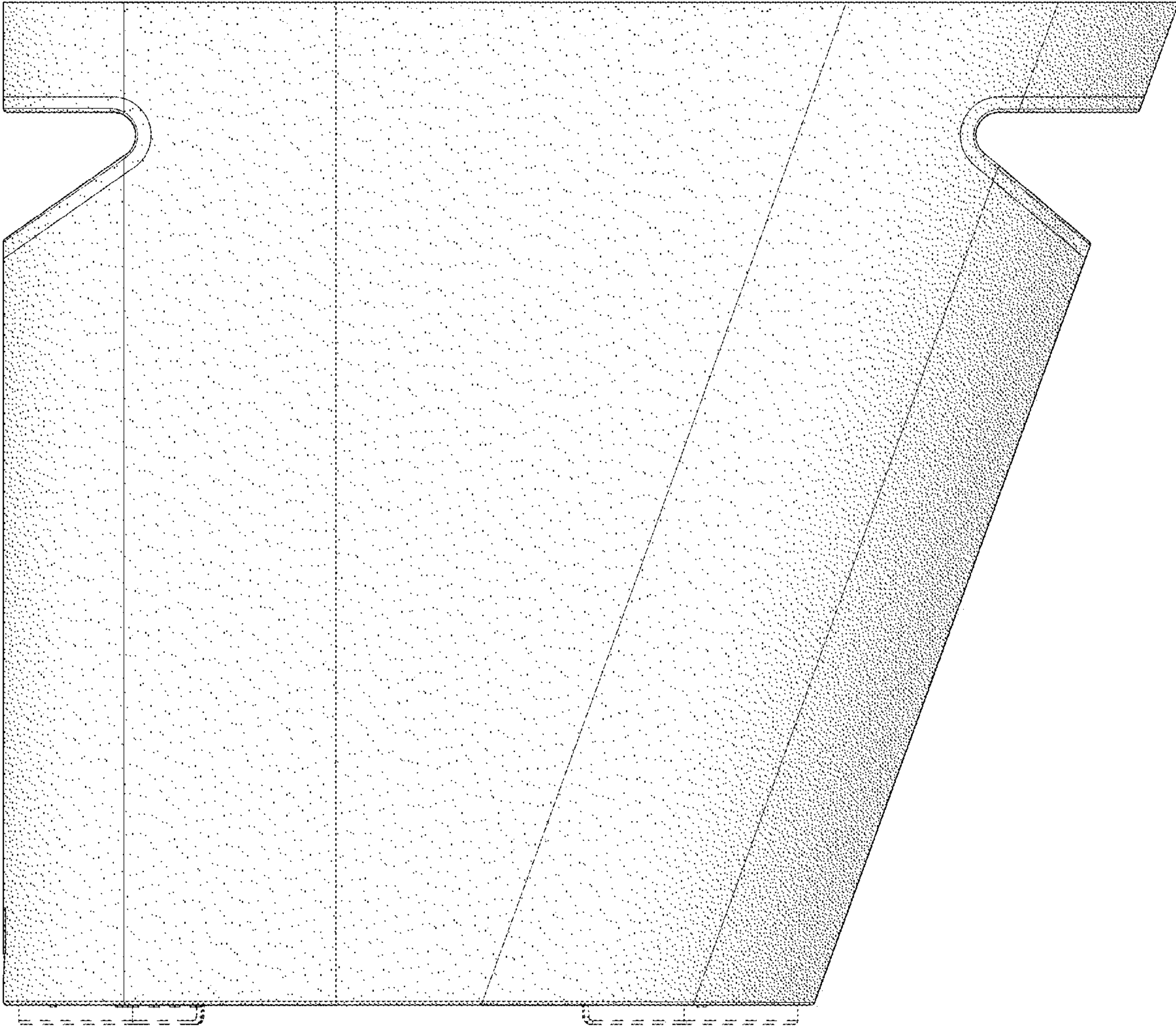


FIG. 2

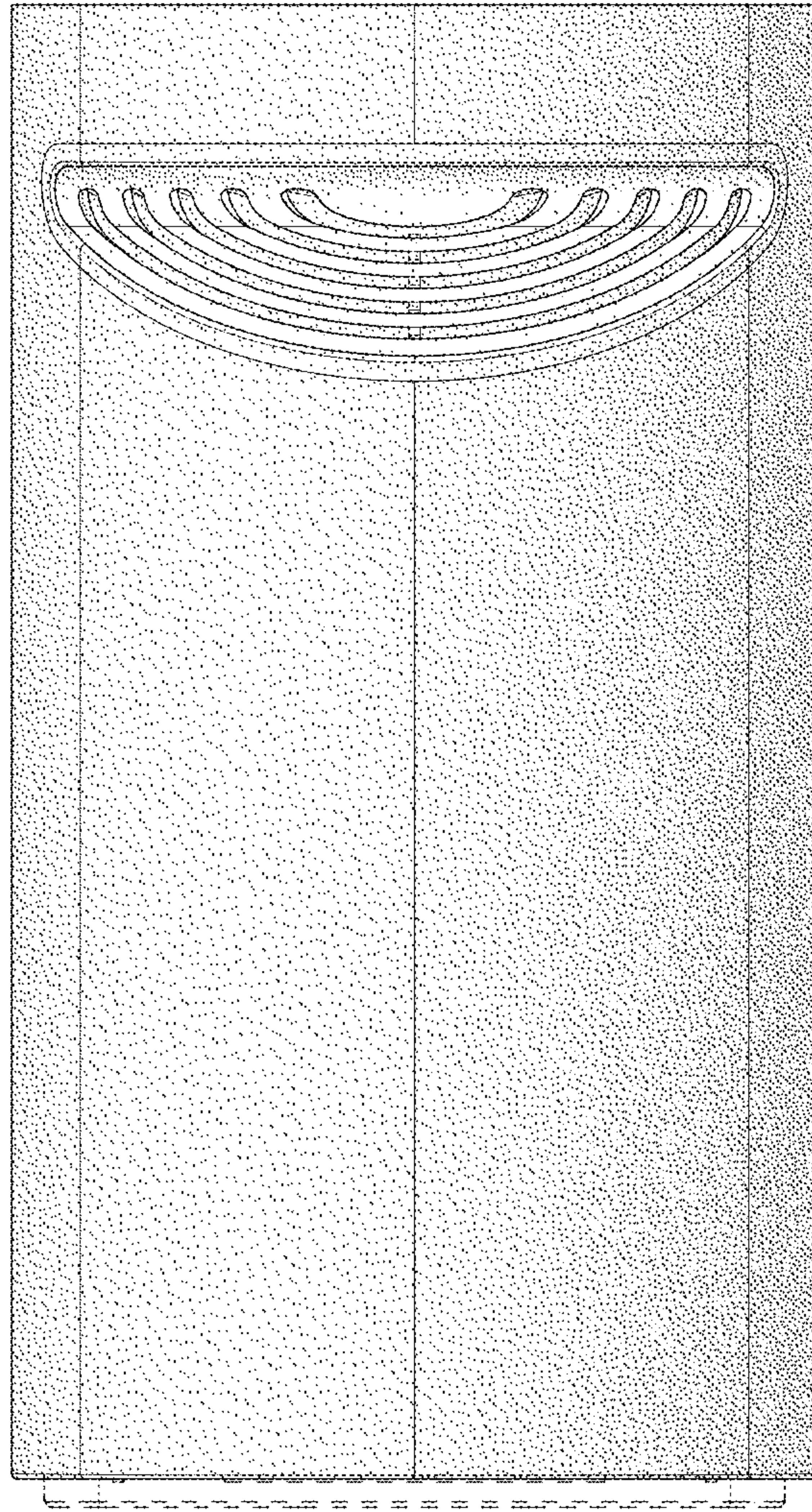


FIG. 3

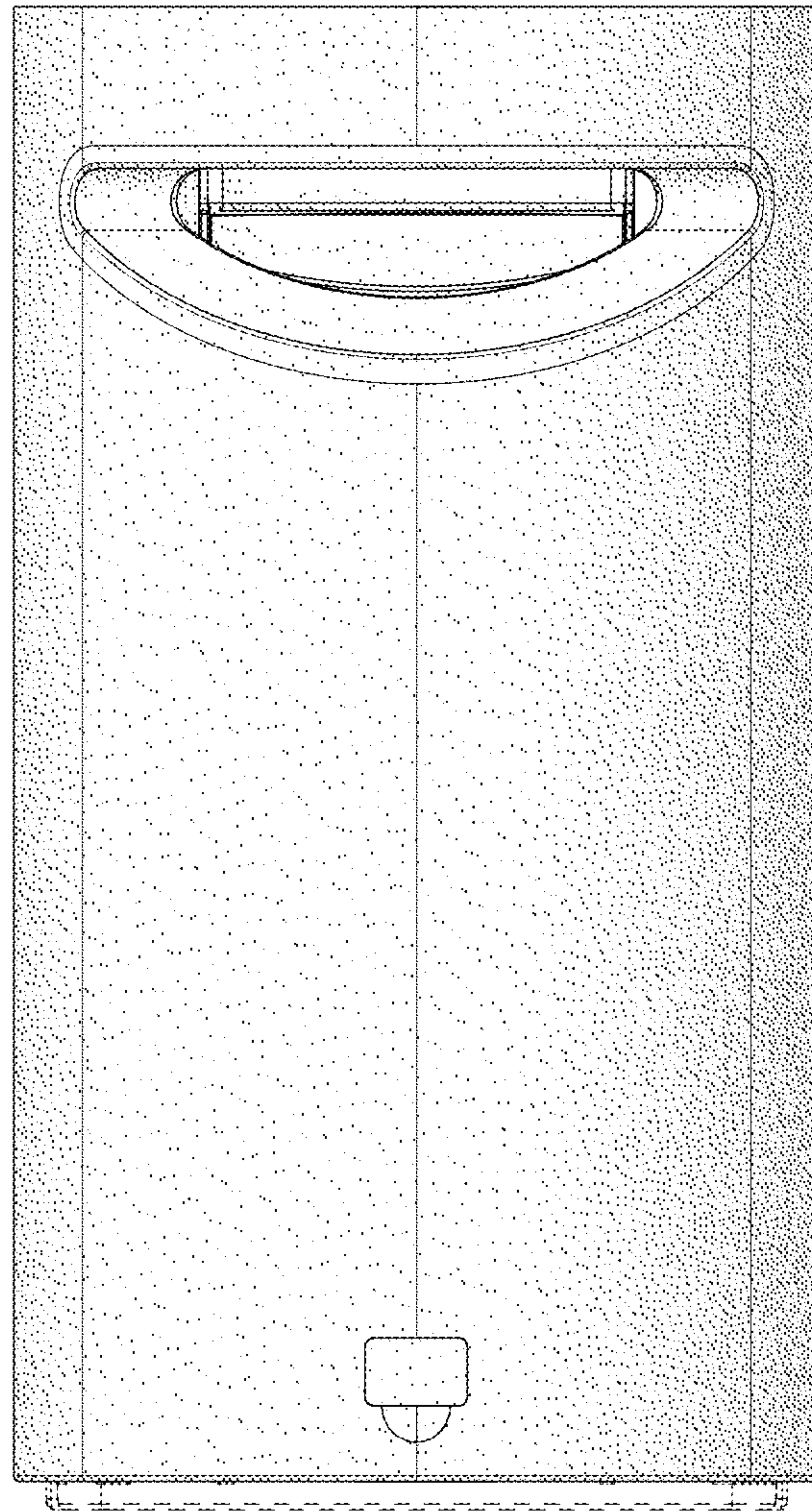


FIG. 4

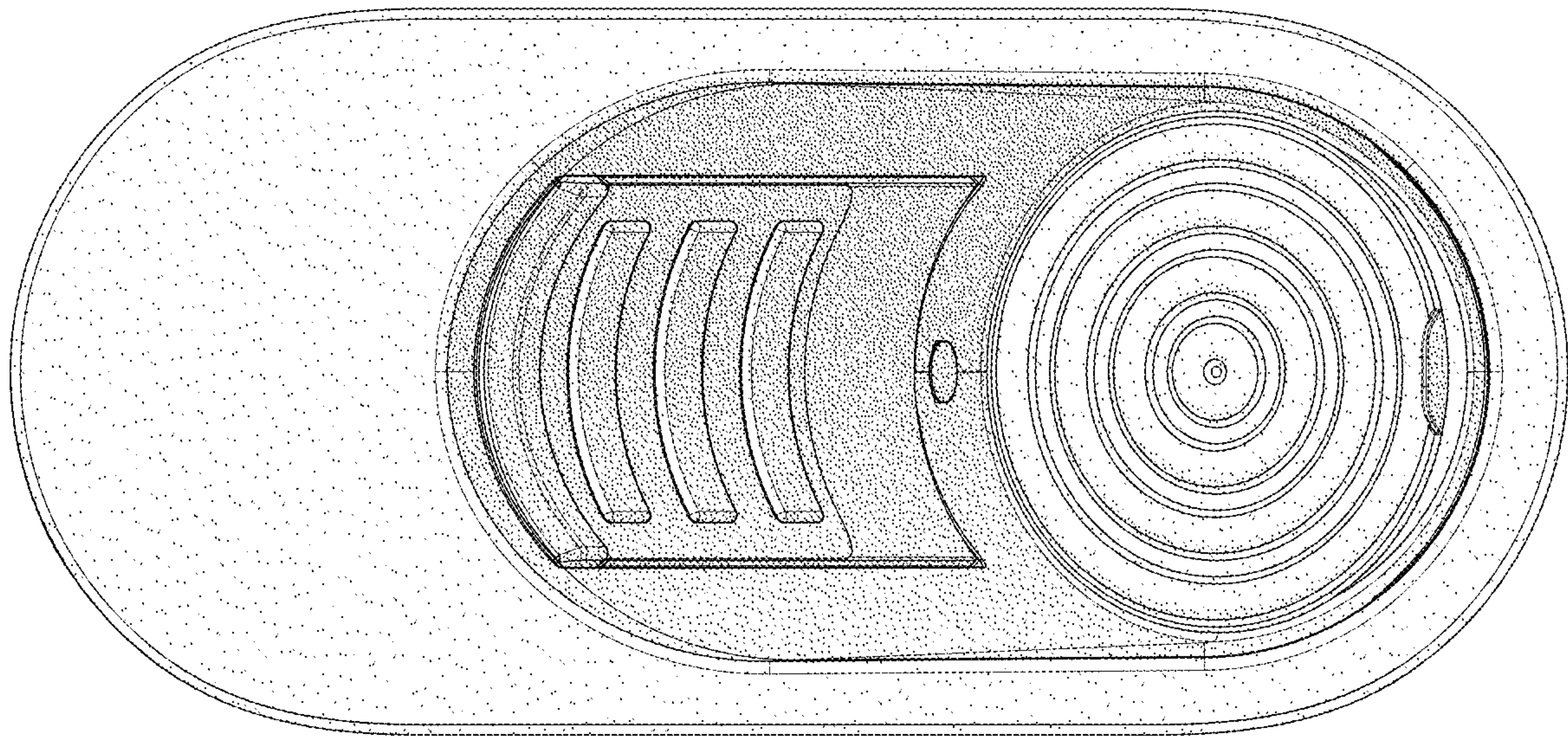


FIG. 5

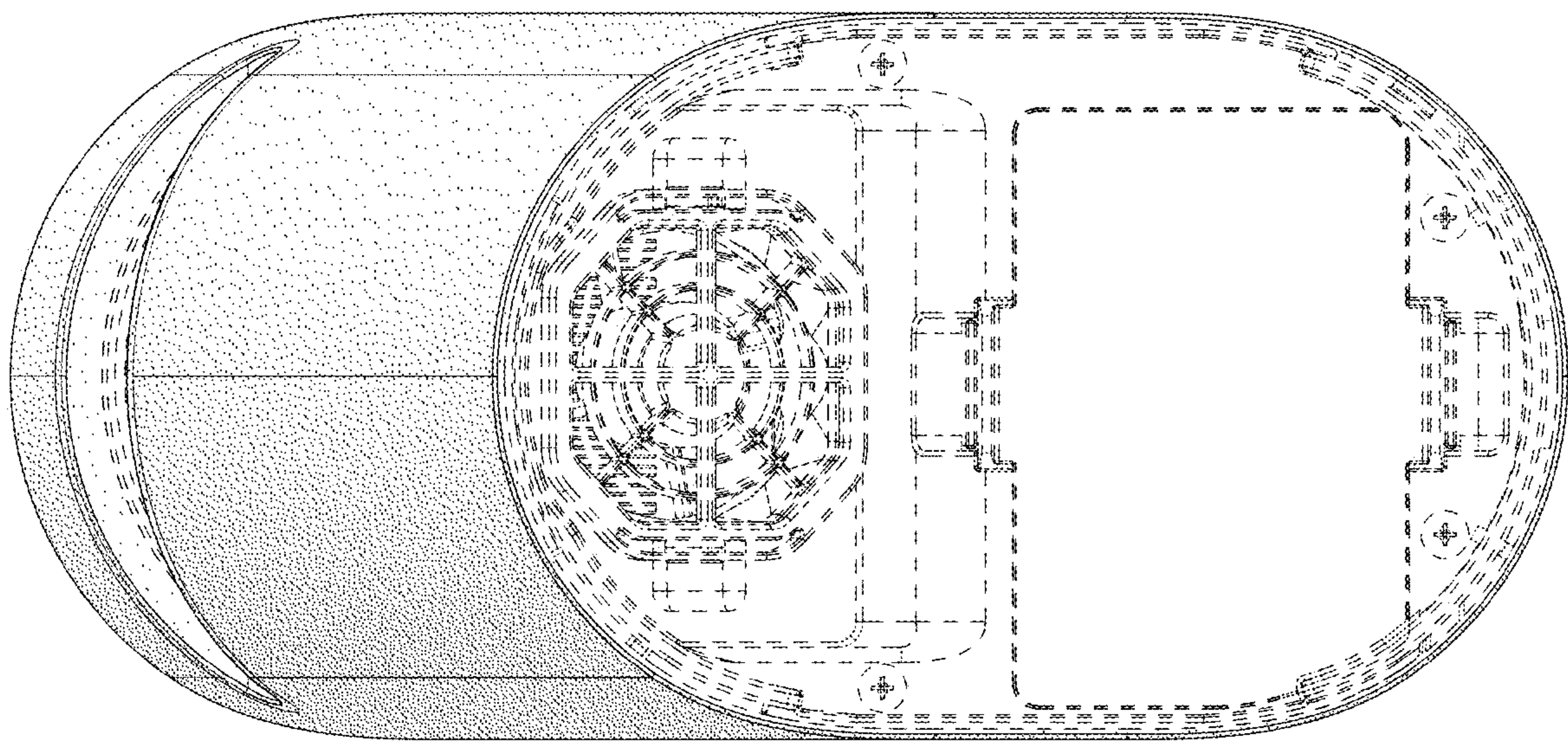


FIG. 6

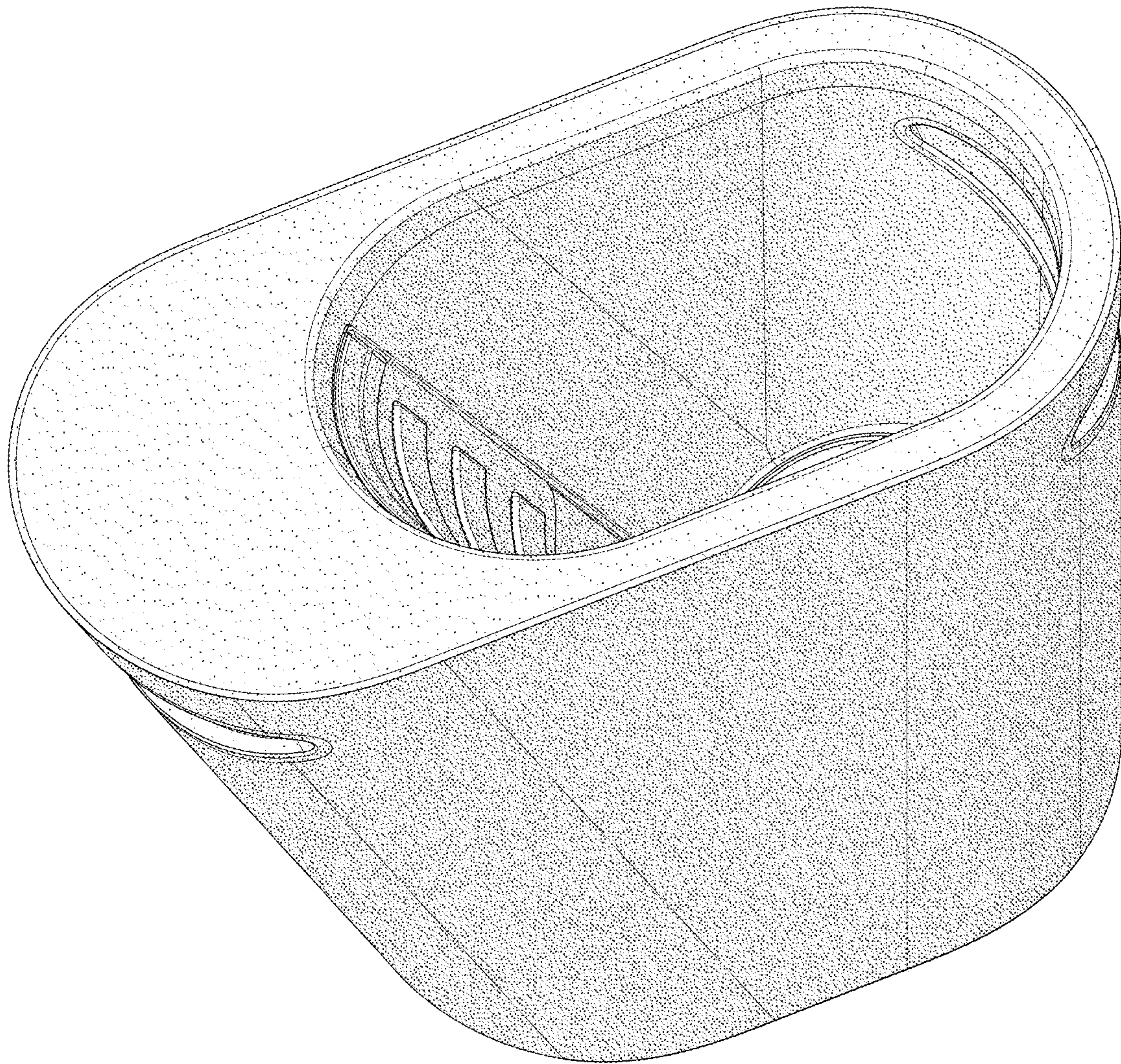


FIG. 7

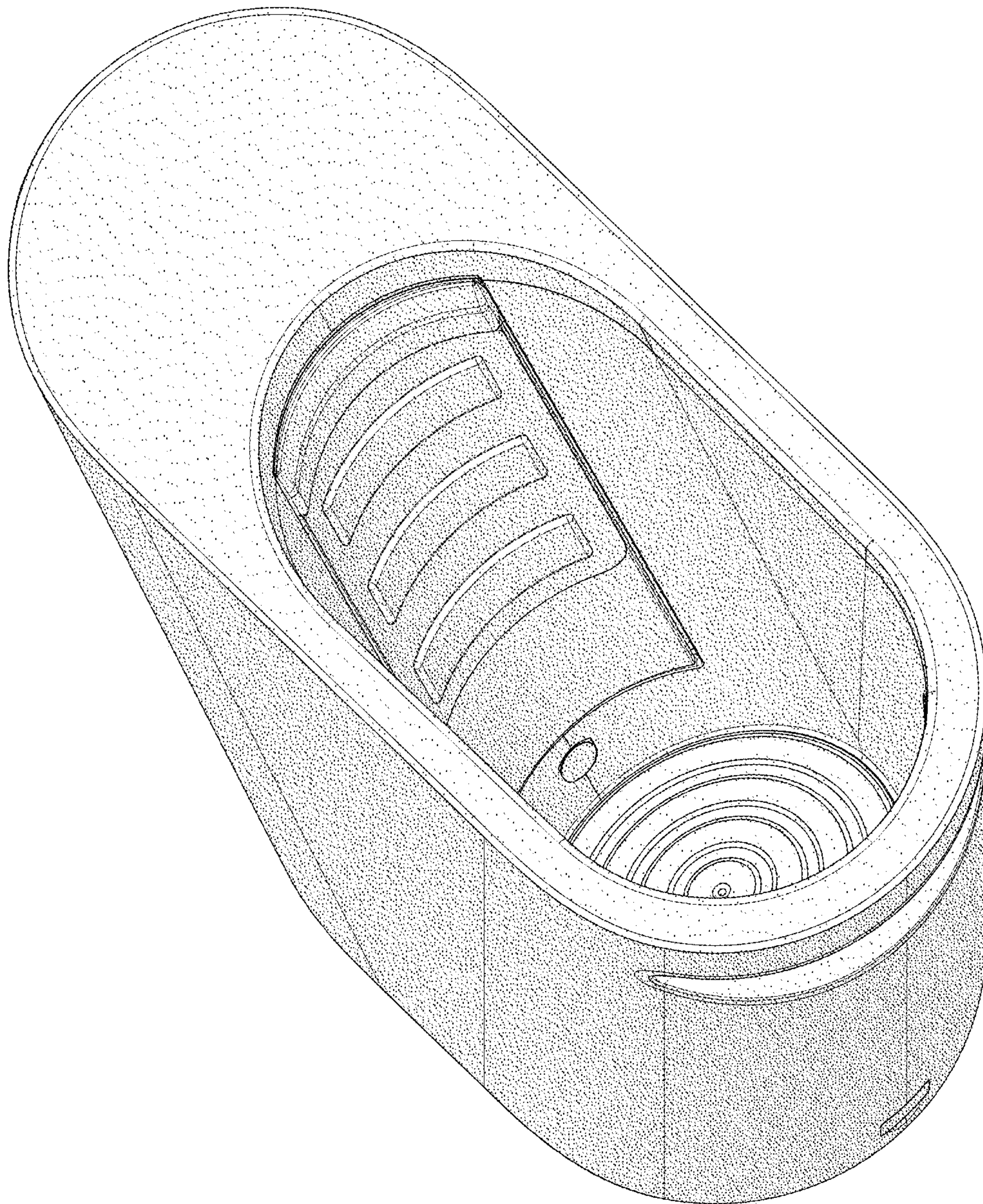


FIG. 8

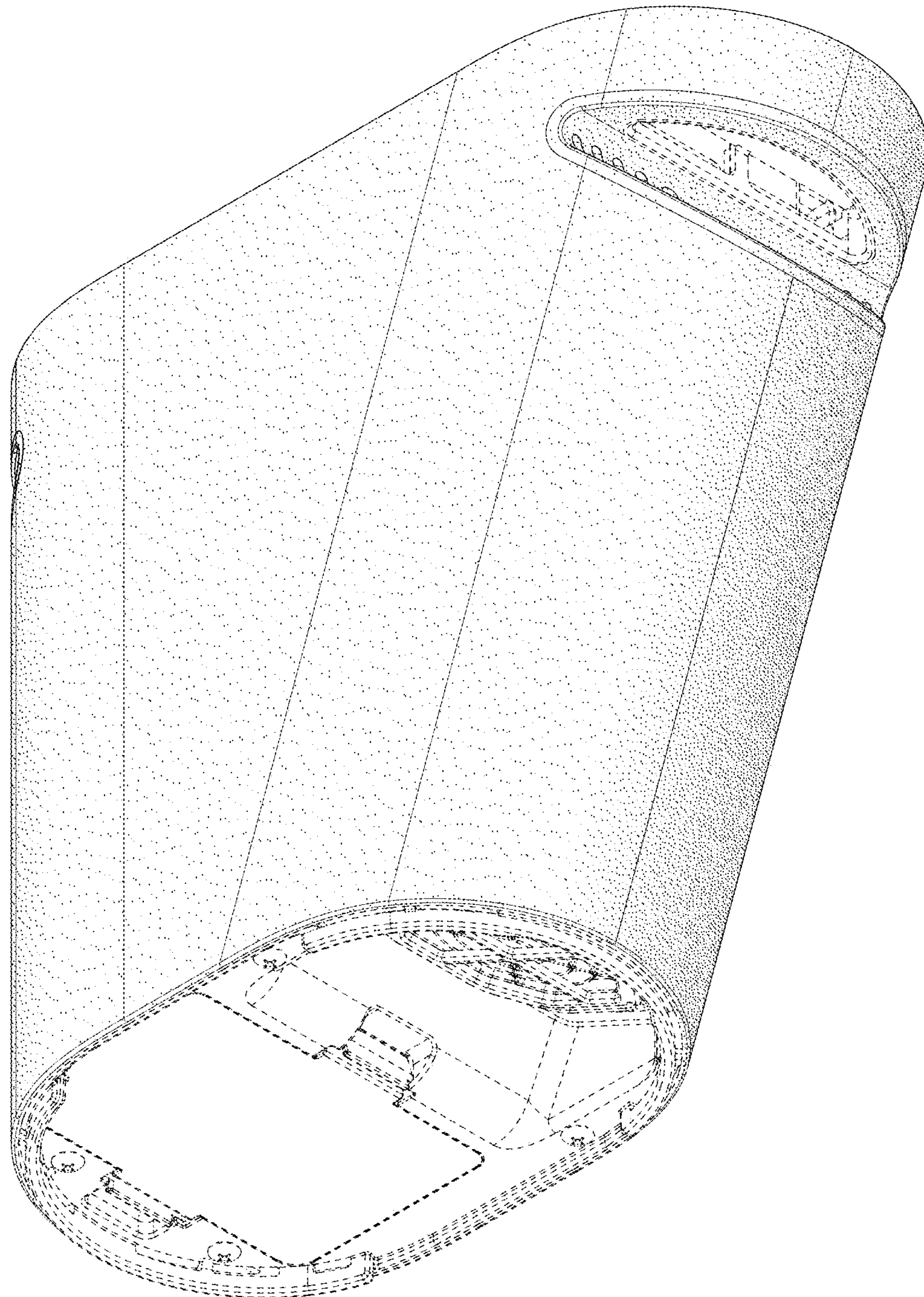


FIG. 9