



US00D945830S

(12) **United States Design Patent**
Lipert

(10) **Patent No.:** **US D945,830 S**
(45) **Date of Patent:** **** Mar. 15, 2022**

(54) **DRINK SERVING CADDY**
(71) Applicant: **LIPCO INDUSTRIES, LLC**, Lincoln, NE (US)
(72) Inventor: **Harry Lipert**, Lincoln, NE (US)
(73) Assignee: **LIPCO INDUSTRIES, LLC**, Lincoln, NE (US)
(**) Term: **15 Years**

6,131,732 A * 10/2000 Schneider A47G 23/0641
206/217
D542,600 S 5/2007 James
D563,726 S * 3/2008 Fraser D7/553.1
(Continued)

(21) Appl. No.: **29/755,970**
(22) Filed: **Oct. 23, 2020**
(51) **LOC (13) Cl.** **07-01**
(52) **U.S. Cl.**
USPC **D7/552.1**
(58) **Field of Classification Search**
USPC D7/550.1, 552.1, 552.2, 553.1, 553.6,
D7/553.7, 553.8, 554.1, 554.2, 601-602,
D7/397, 401.1; D9/737, 738, 741, 742,
D9/751, 756
CPC B65D 1/00; B65D 11/20;
B65D 2501/24019; A47G 19/00; A47G
19/02; A47G 19/30; A47G 21/08; A47G
23/02; A47G 23/0208; A47G 23/06;
A47G 23/08
See application file for complete search history.

FOREIGN PATENT DOCUMENTS

DE 9003532 U1 5/1990
DE 20112009 U1 10/2001
(Continued)

OTHER PUBLICATIONS

Kolschglashalter, Kolschkranz (Drink Caddy), URL: <https://www.xn-kl-schglashalter-8sb.de/i/koelschtraeger>, Printed Oct. 23, 2020, 4 pages.

Primary Examiner — Kelley A Donnelly
(74) *Attorney, Agent, or Firm* — Suiter Swantz pc llo

(57) **CLAIM**

The ornamental design for a drink serving caddy, as shown and described.

DESCRIPTION

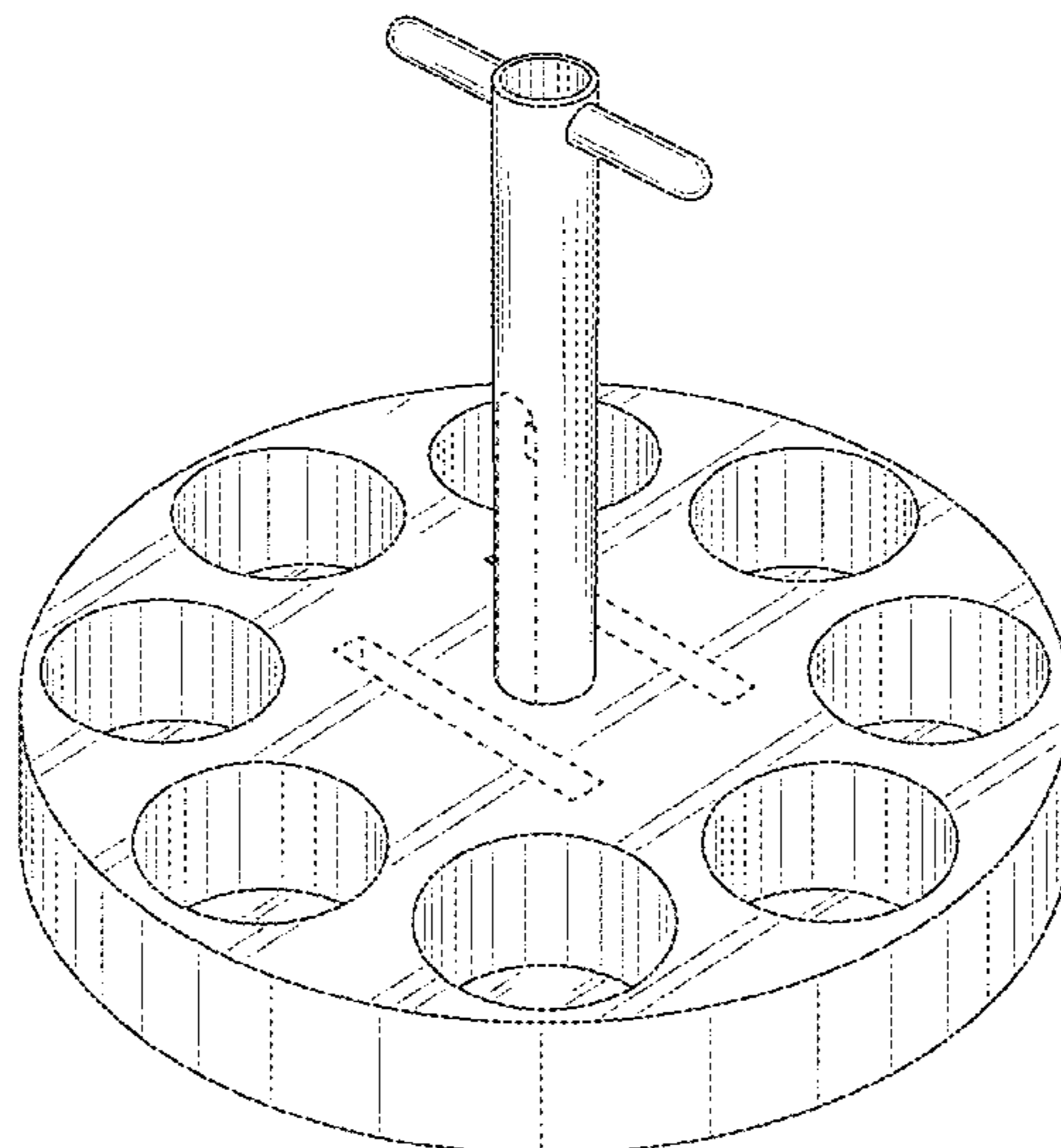
FIG. 1 is a top perspective view of the drink serving caddy. FIG. 2 is a bottom perspective view thereof. FIG. 3 is a top plan view thereof. FIG. 4 is a bottom plan view thereof. FIG. 5 is a front view thereof. FIG. 6 is a rear view thereof. FIG. 7 is a first side view thereof. FIG. 8 is a second side view thereof; and, FIG. 9 is a top perspective view thereof in an exemplary environment depicting a cup and coaster being held by the drink serving caddy. The broken lines form no part of the claimed design and are included for the purpose of illustrating the environment structure.

(56) **References Cited**

U.S. PATENT DOCUMENTS

1,541,672 A 6/1925 Tulay
D76,744 S * 10/1928 Forman D7/546
D148,883 S * 3/1948 Panzer D7/706
2,459,921 A * 1/1949 Comer B65D 71/0003
220/512
3,146,906 A 9/1964 Swett
3,908,877 A * 9/1975 Kosisky A47G 23/0641
294/143
D256,871 S * 9/1980 Snyder D6/680.2
D292,161 S * 10/1987 Spolter D7/553.6
D366,394 S * 1/1996 Kypreos D7/543

1 Claim, 9 Drawing Sheets



(56)

References Cited

U.S. PATENT DOCUMENTS

D649,416 S * 11/2011 Tietjen D7/707
D683,593 S 6/2013 Pilgaard
D769,676 S * 10/2016 Alleyne D7/553.8
D776,548 S * 1/2017 Bell D9/753
D811,833 S * 3/2018 Thurow D7/706
10,694,876 B2 6/2020 Boyatt
D925,292 S * 7/2021 Abusoud D7/553.8
2012/0097555 A1* 4/2012 Munn B65D 71/0003
206/139

FOREIGN PATENT DOCUMENTS

EP 1438915 A1 7/2004
KR 20120000746 U 2/2012

* cited by examiner

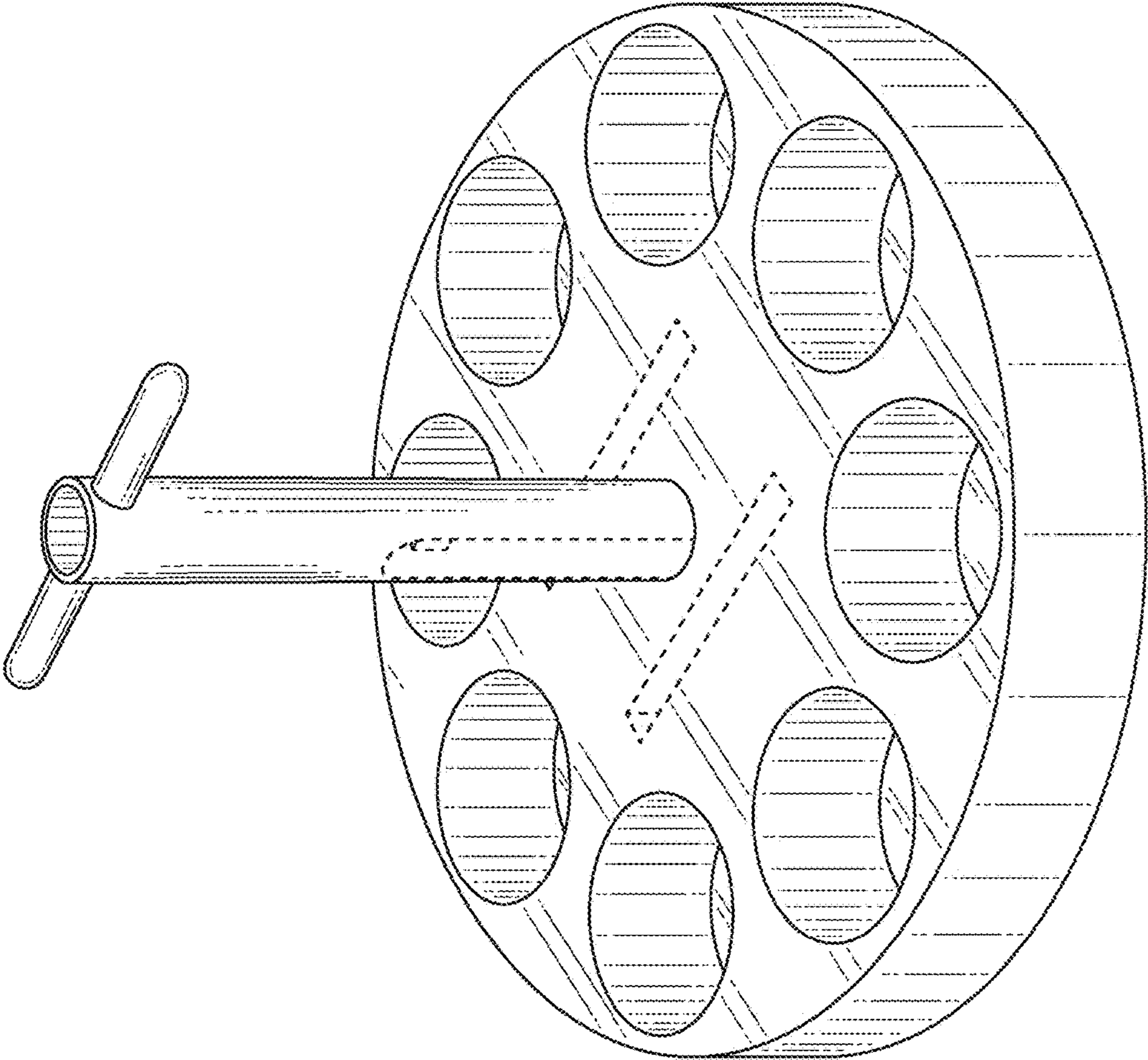


FIG.1

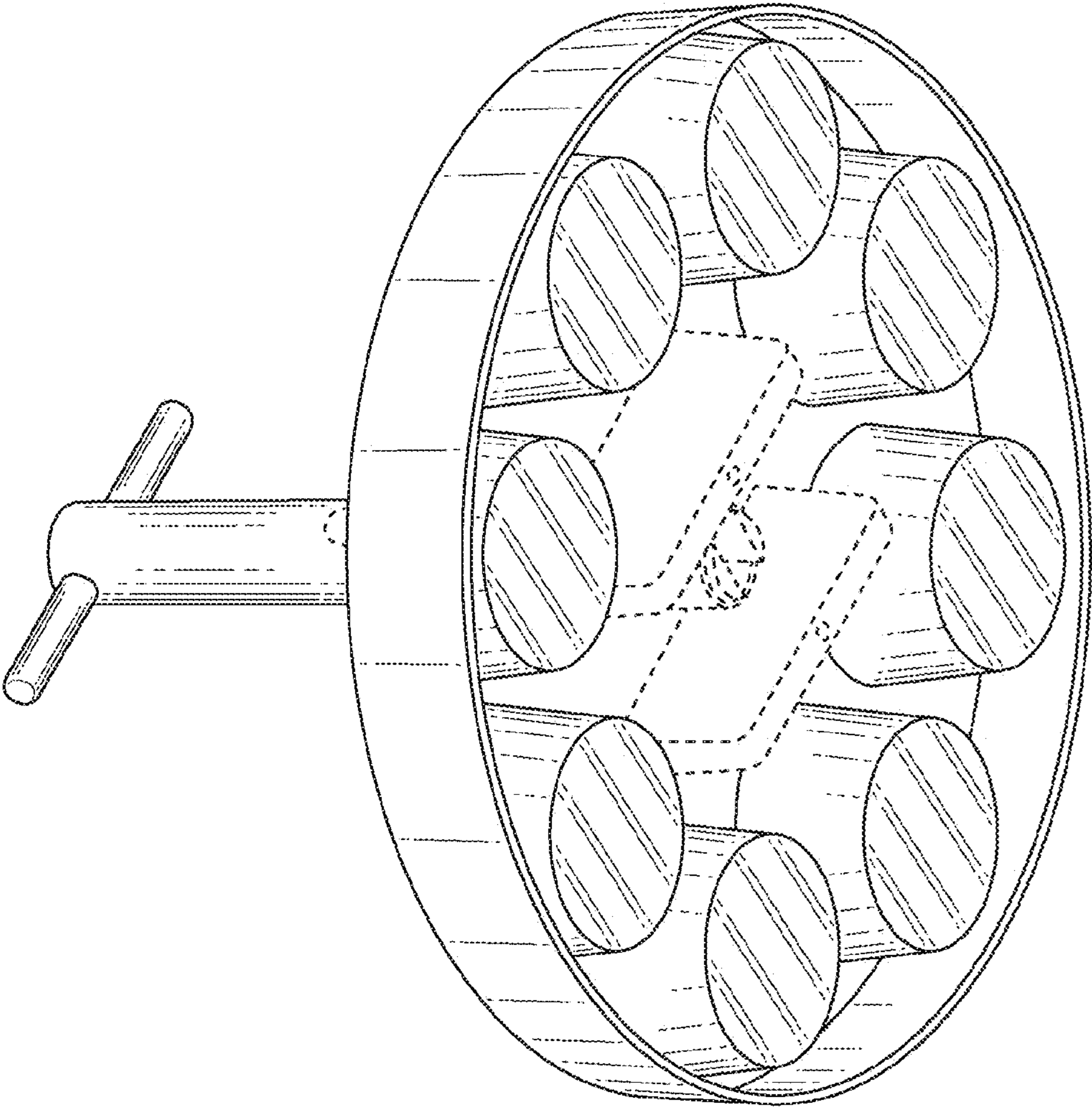


FIG. 2

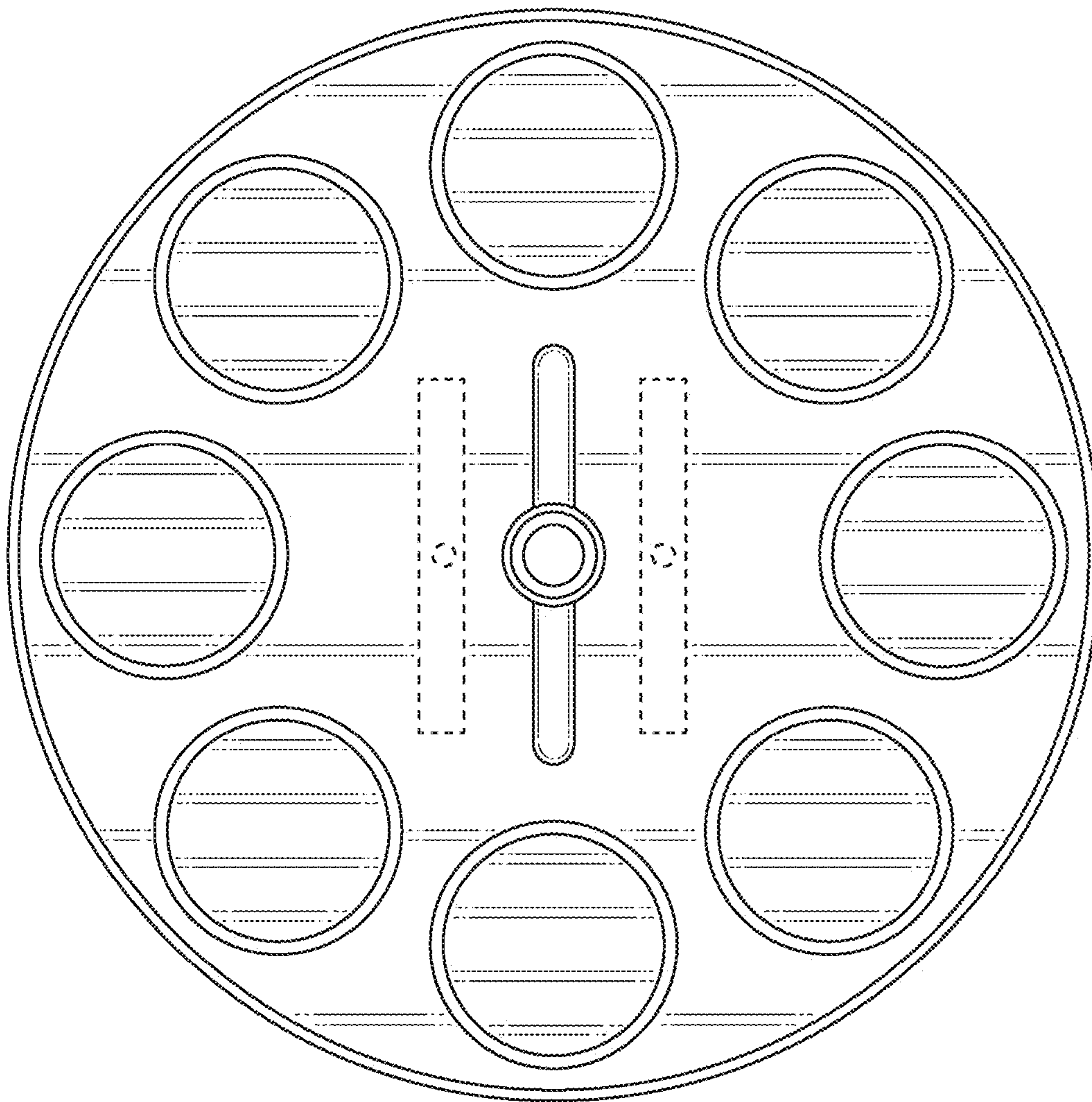


FIG. 3

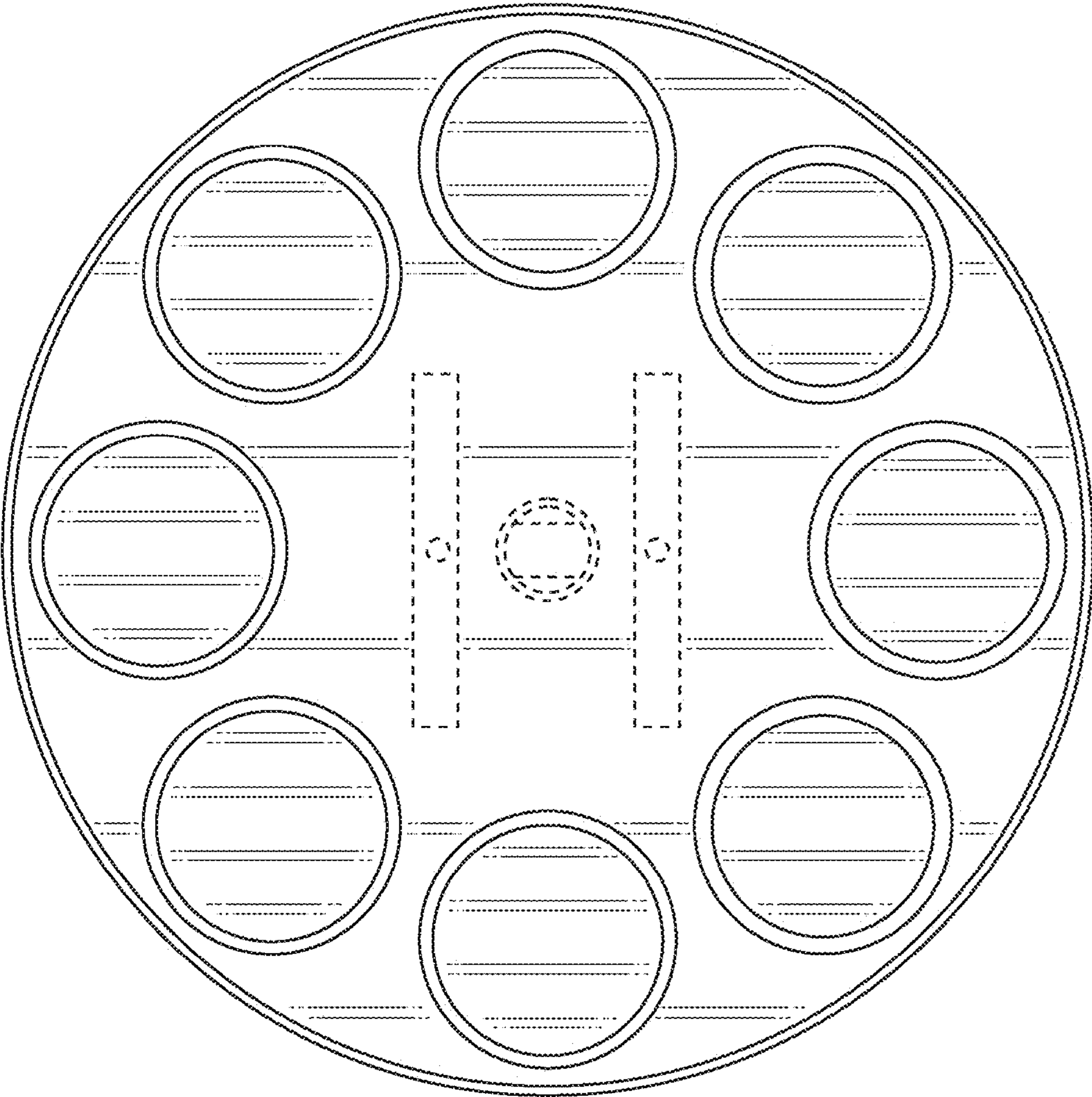


FIG.4

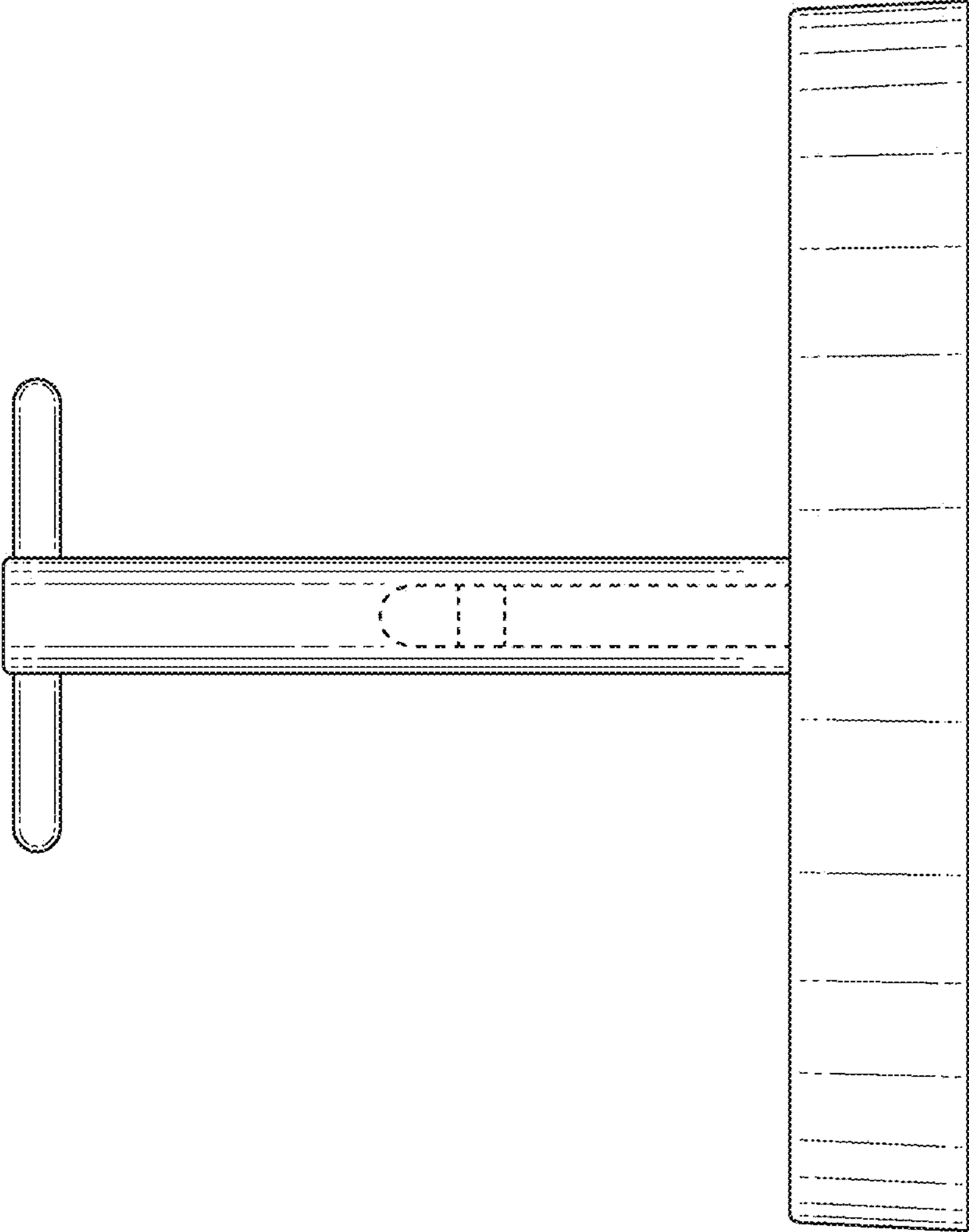


FIG. 5

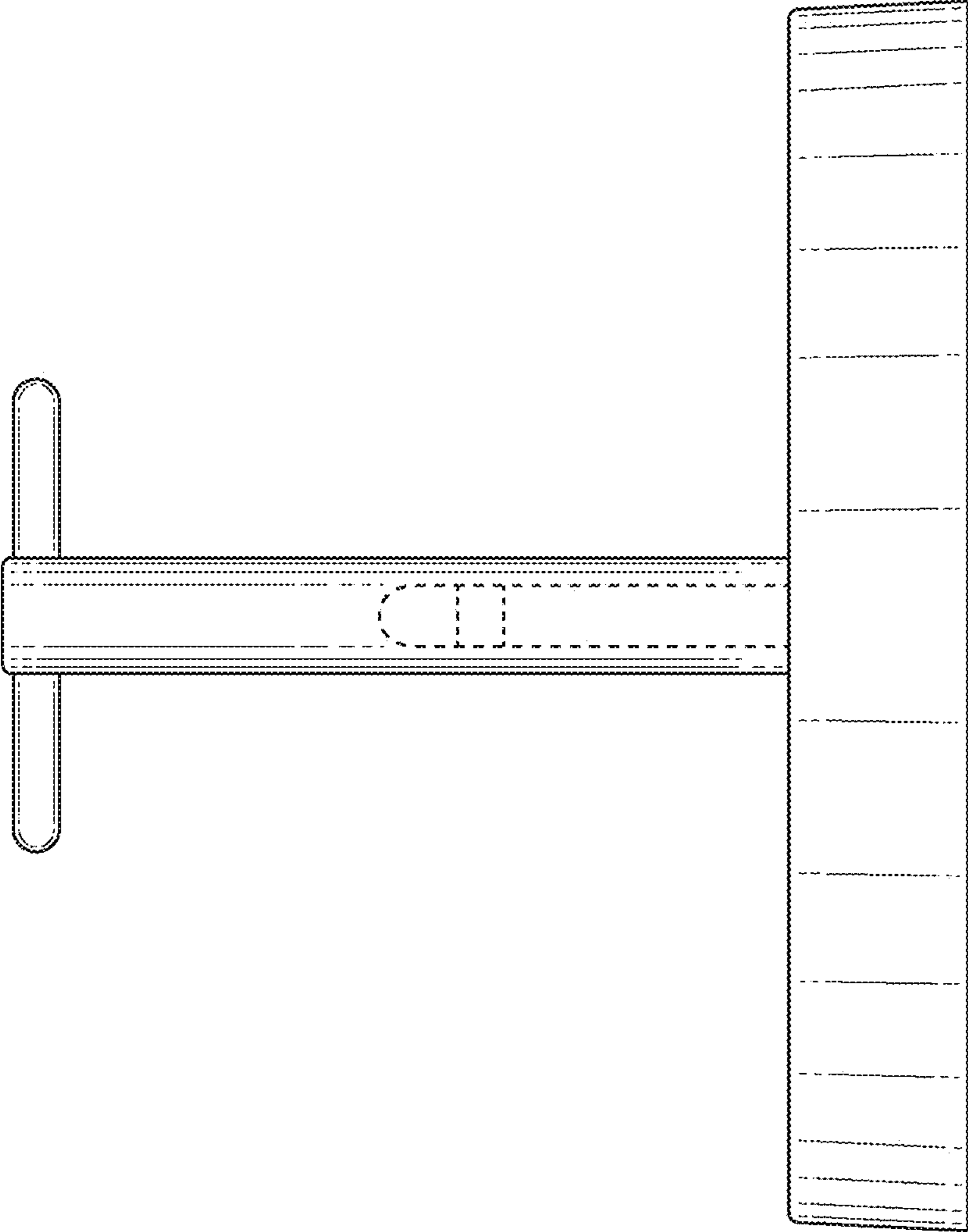


FIG. 6

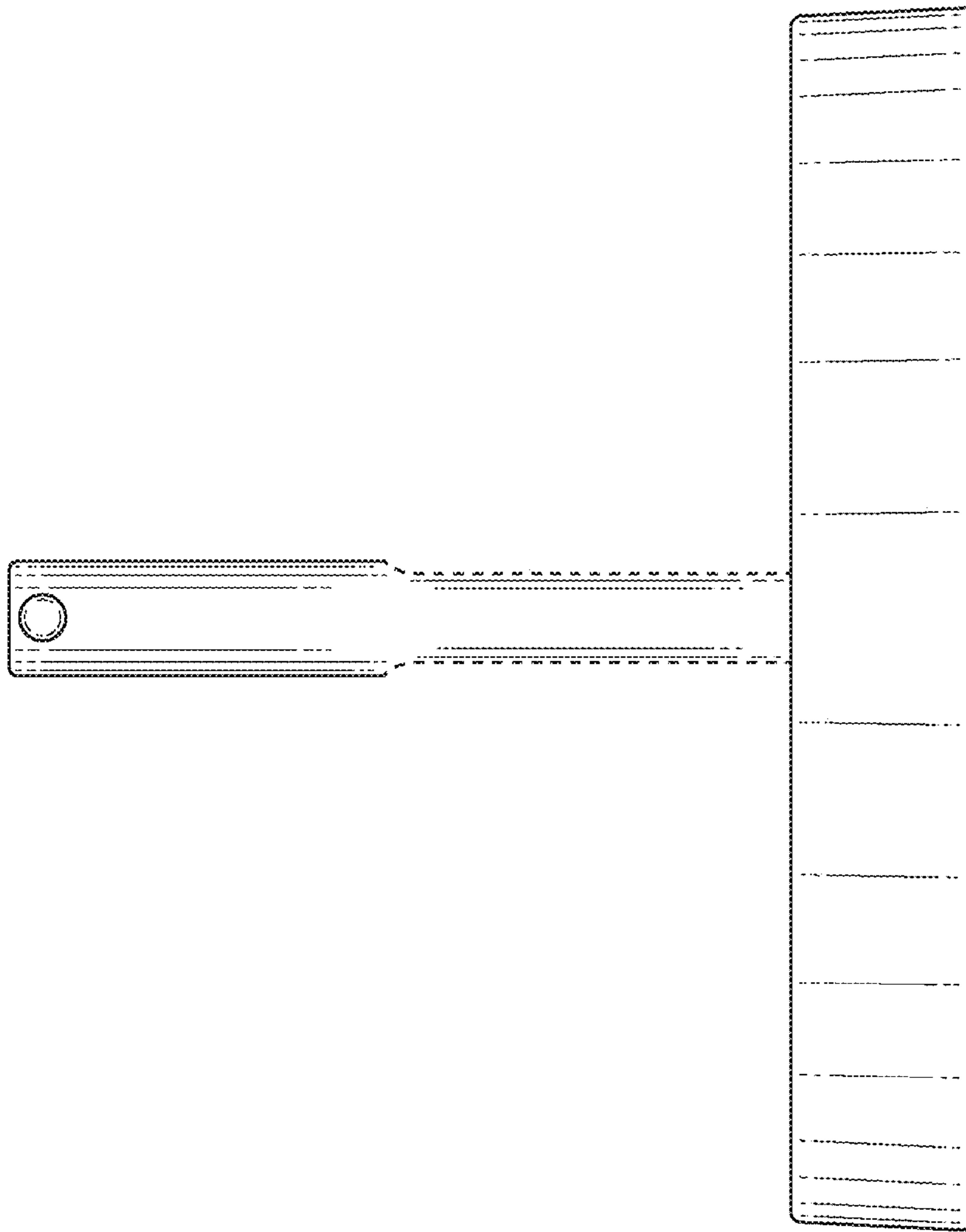


FIG.7

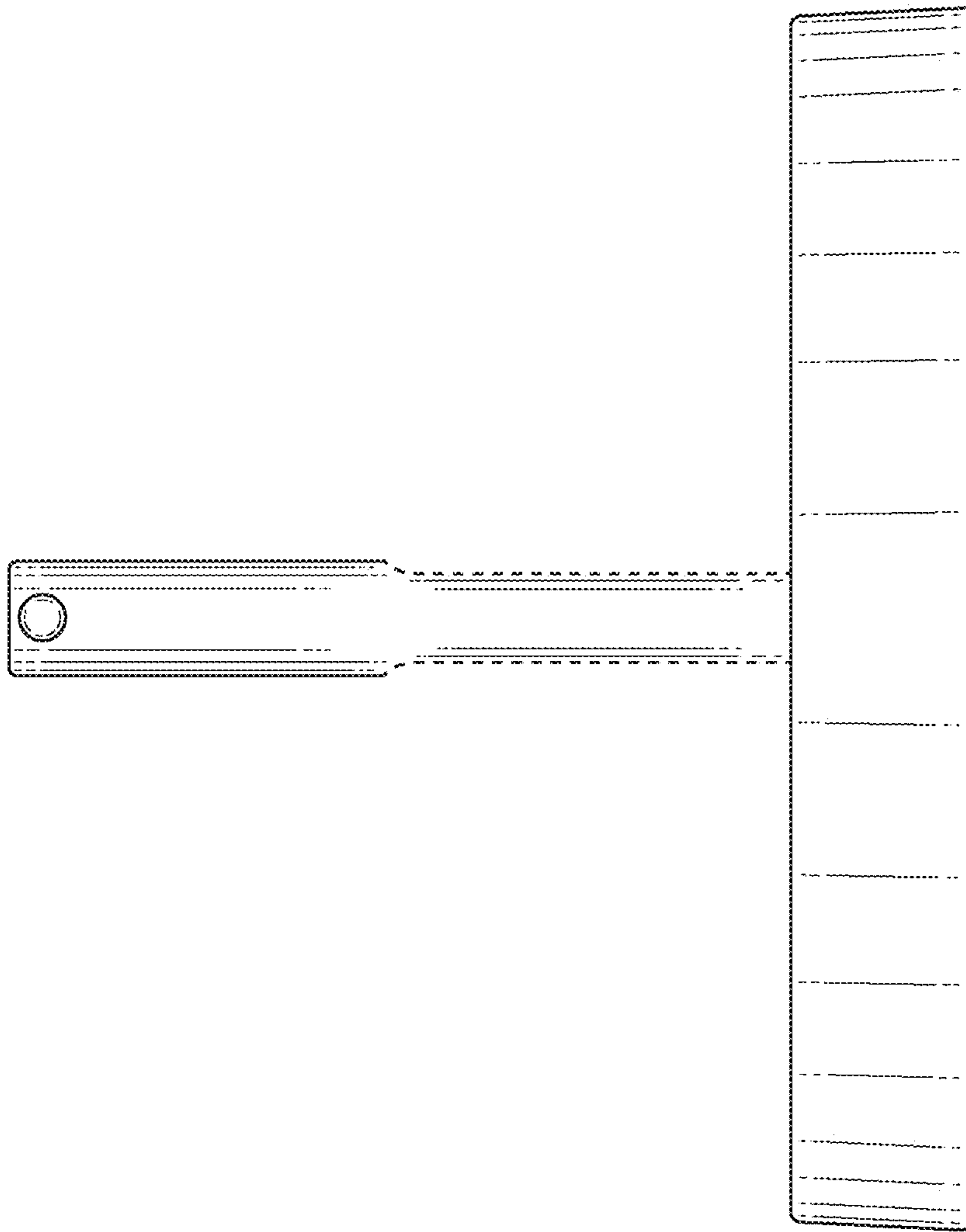


FIG. 8

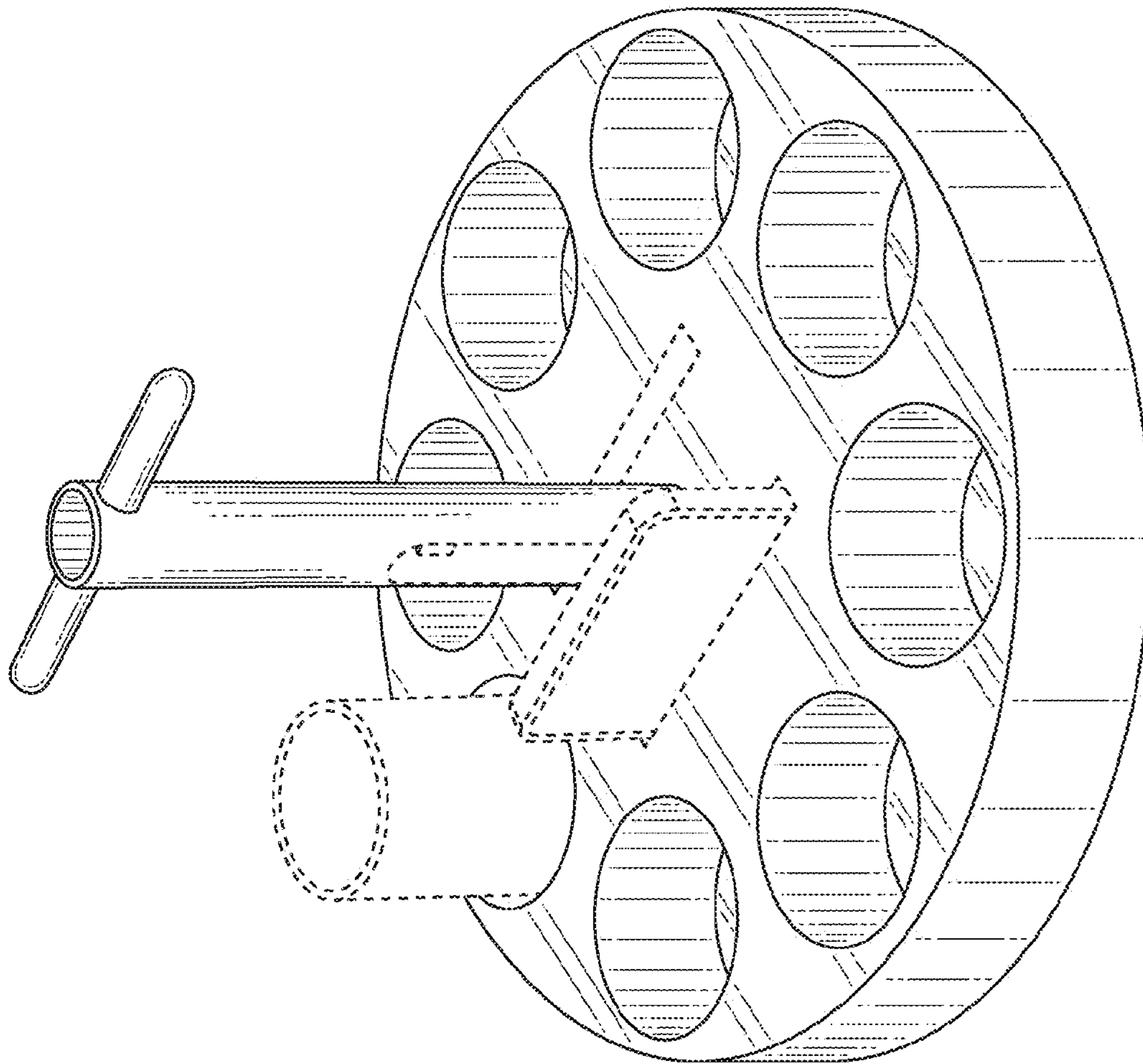


FIG. 9