



US00D945829S

(12) **United States Design Patent** (10) **Patent No.:** **US D945,829 S**
Yue (45) **Date of Patent:** **** Mar. 15, 2022**

(54) **WATER BOTTLE**
(71) Applicant: **Wenyong Yue**, Shenzhen (CN)
(72) Inventor: **Wenyong Yue**, Shenzhen (CN)
(**) Term: **15 Years**
(21) Appl. No.: **29/778,549**
(22) Filed: **Apr. 14, 2021**
(51) **LOC (13) Cl.** **07-01**
(52) **U.S. Cl.**
USPC **D7/510; D7/511; D7/512**
(58) **Field of Classification Search**
USPC D7/507, 509, 510, 511, 523, 533, 535,
D7/536, 392.1, 396.1, 396.2, 300.1, 598,
D7/600, 512, 532, 900; D9/443, 446,
D9/449; D3/202; 220/713, 715;
102/486
CPC B65D 1/40; B65D 21/086; A47G 21/18;
A47G 19/22; A47G 19/2288; A47G
19/2205; A45F 2003/205; A47J 41/0055;
A47J 41/0022; A47J 41/00; A47J
41/0077; A47J 41/0088; Y10S 220/903
See application file for complete search history.

D756,705 S * 5/2016 Abrams D7/512
D766,654 S * 9/2016 Forti D7/397
D777,520 S * 1/2017 Singlaub D7/532
D779,886 S * 2/2017 Singlaub D7/532
D802,349 S * 11/2017 Resic D7/300.1
D810,512 S * 2/2018 Wu D7/512

(Continued)

FOREIGN PATENT DOCUMENTS

CN 305007338 * 1/2019
CN 305234471 * 6/2019

(Continued)

OTHER PUBLICATIONS

Rampula [online] URL: <https://www.amazon.com/RamPula-Foldable-Patented-Waterbottle-Reusable/dp/B09G2XBK17> (site visited: Nov. 20, 2021) (Year: 2021).*

(Continued)

Primary Examiner — Jae Liang
Assistant Examiner — Tia Ruth-Renee Polidori

(57) **CLAIM**

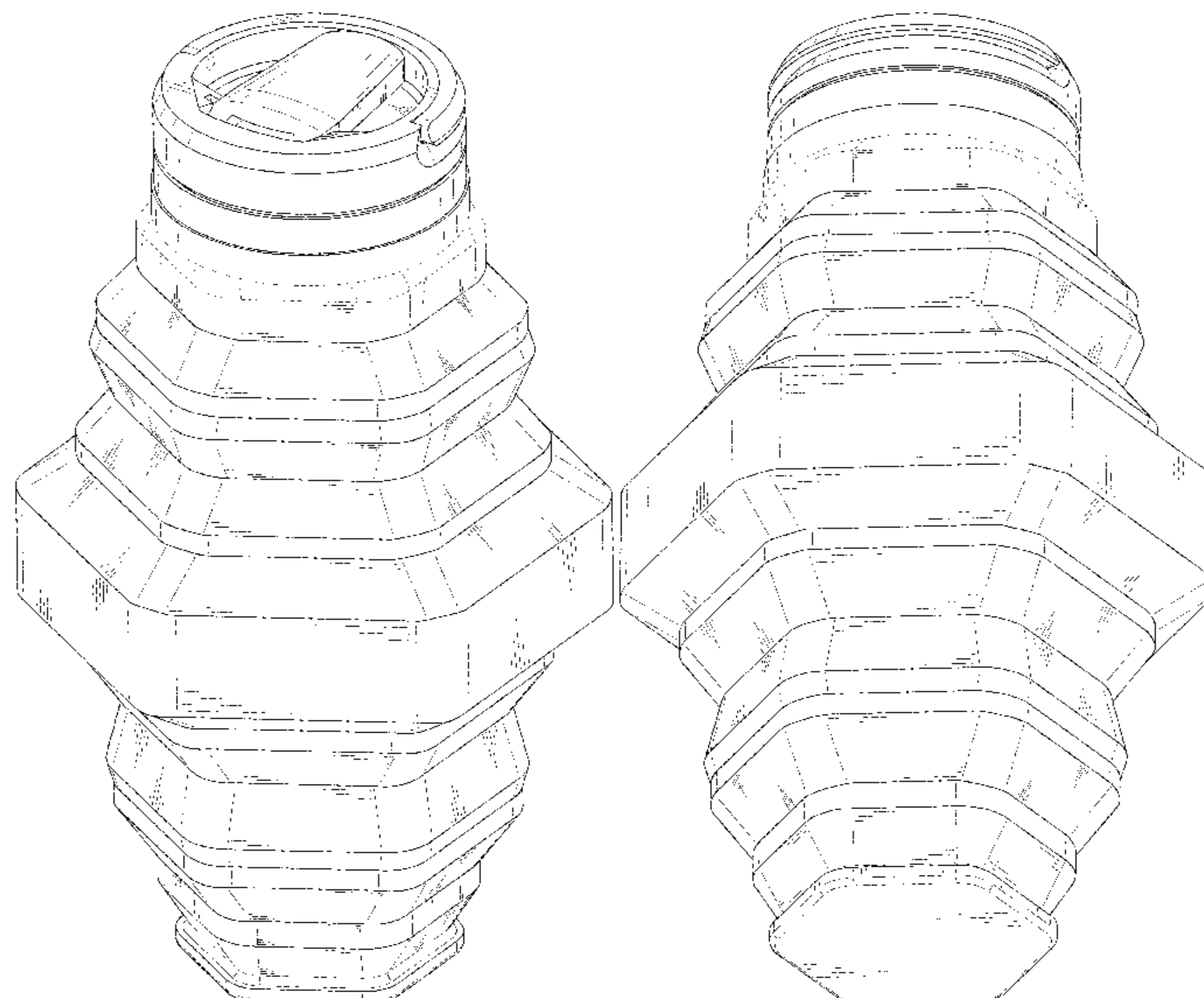
The ornamental design for a water bottle, as shown and described.

DESCRIPTION

FIG. 1 is a perspective view of a water bottle showing my new design;
FIG. 2 is another perspective view thereof;
FIG. 3 is a front elevational view thereof;
FIG. 4 is a rear elevational view thereof;
FIG. 5 is a left side elevational view thereof;
FIG. 6 is a right side elevational view thereof;
FIG. 7 is a top plan view thereof; and,
FIG. 8 is a bottom plan view thereof.
The broken lines in the drawings depict portions of the water bottle that form no part of the claimed design.

1 Claim, 8 Drawing Sheets

(56) **References Cited**
U.S. PATENT DOCUMENTS
1,811,574 A * 6/1931 Barrett A47G 7/085
206/423
D154,999 S * 8/1949 Eratico D9/503
3,939,888 A * 2/1976 Scarnato B65D 1/0292
220/666
D483,225 S * 12/2003 Gain D7/512
D486,736 S * 2/2004 Kokubo D9/447
D553,908 S * 10/2007 Bonini D7/507
D658,008 S * 4/2012 Wahl D7/510
D664,003 S * 7/2012 Nagoya D7/512
D675,482 S * 2/2013 Heggstad D7/512
D702,489 S * 4/2014 Steel D7/392.1
D725,967 S 4/2015 Peng



(56)

References Cited

U.S. PATENT DOCUMENTS

D831,435 S * 10/2018 Zhang D7/608
 D832,051 S * 10/2018 Charleson D7/512
 D861,435 S * 10/2019 Yang D7/512
 10,433,632 B2 * 10/2019 Resic B01F 15/0087
 D873,145 S 1/2020 Hamgeri
 D883,735 S * 5/2020 Adams, Jr. D7/392
 D888,497 S * 6/2020 Cai D7/512
 D893,955 S * 8/2020 Cai D7/532
 D915,826 S * 4/2021 Ulla D7/507
 D918,660 S * 5/2021 Cui D7/532
 D931,052 S * 9/2021 Shen D7/512
 D936,422 S * 11/2021 Cui D7/510
 D940,506 S * 1/2022 Singlaub D7/512
 2013/0277364 A1 * 10/2013 Kusuma A45F 3/20
 220/8
 2013/0284753 A1 * 10/2013 Kellmann B65D 1/165
 220/666
 2014/0131354 A1 * 5/2014 Chang B65D 81/2038
 220/203.07
 2014/0263162 A1 * 9/2014 Napoli B65D 1/40
 215/384
 2015/0041478 A1 * 2/2015 Abrams B65D 21/086
 220/592.17
 2015/0053700 A1 * 2/2015 Pierson A45F 3/20
 220/666
 2015/0313389 A1 * 11/2015 Velasquez A47G 19/22
 220/8

2016/0090210 A1 * 3/2016 Vasquez B65D 39/08
 220/254.9
 2016/0347503 A1 * 12/2016 Tsui A47J 27/21008
 2017/0008670 A1 * 1/2017 Wu A47G 19/2205
 2017/0050800 A1 * 2/2017 Gain B65B 5/02
 2017/0320611 A1 * 11/2017 Shen B65D 41/04
 2018/0194517 A1 * 7/2018 Brooks B65D 43/0231
 2019/0021474 A1 * 1/2019 Resic A47J 43/27
 2020/0305619 A1 * 10/2020 Tsui A47G 19/22
 2021/0339907 A1 * 11/2021 Dickson A47G 19/2272
 2021/0361053 A1 * 11/2021 Stewart-Stand B65D 21/086

FOREIGN PATENT DOCUMENTS

CN 306601442 * 6/2021
 CN 306709580 * 7/2021
 CN 306852375 * 9/2021
 EM 008488159-0001 * 4/2021
 JP D1697685 * 10/2021

OTHER PUBLICATIONS

Hydaway [online] URL: <https://www.amazon.com/HYDAWAY-Collapsible-Ultra-Packable-Travel-Friendly-Food-Grade/dp/B07JBMP8Y8?th=1> (site visited: Nov. 20, 2021) (Year: 2018).*
 Cyclemate [online] URL: <https://www.kickstarter.com/projects/367386619/cyclemate-the-most-reasonable-collapsible-bottle> (site visited: Nov. 20, 2021) (Year: 2021).*

* cited by examiner

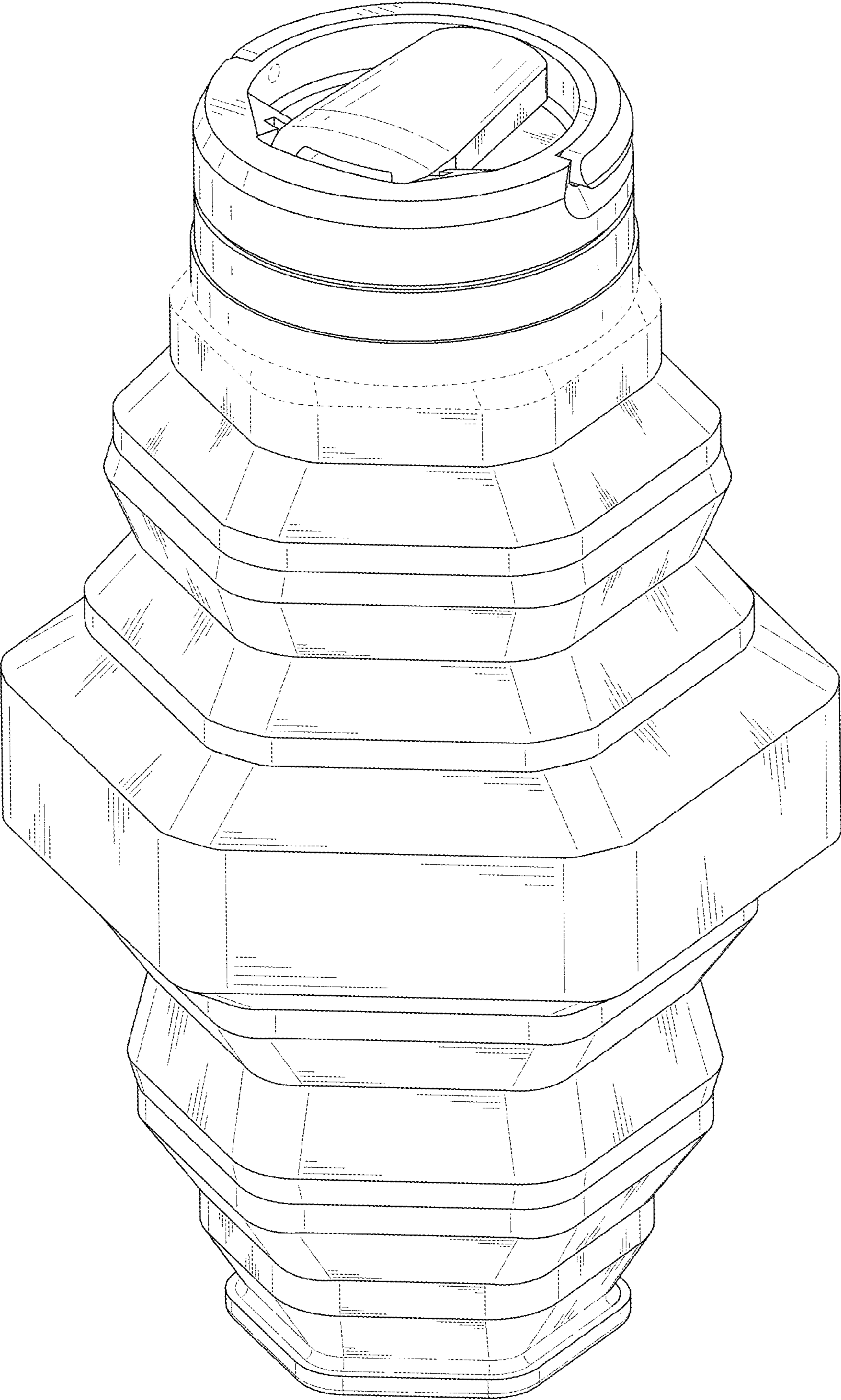


FIG. 1

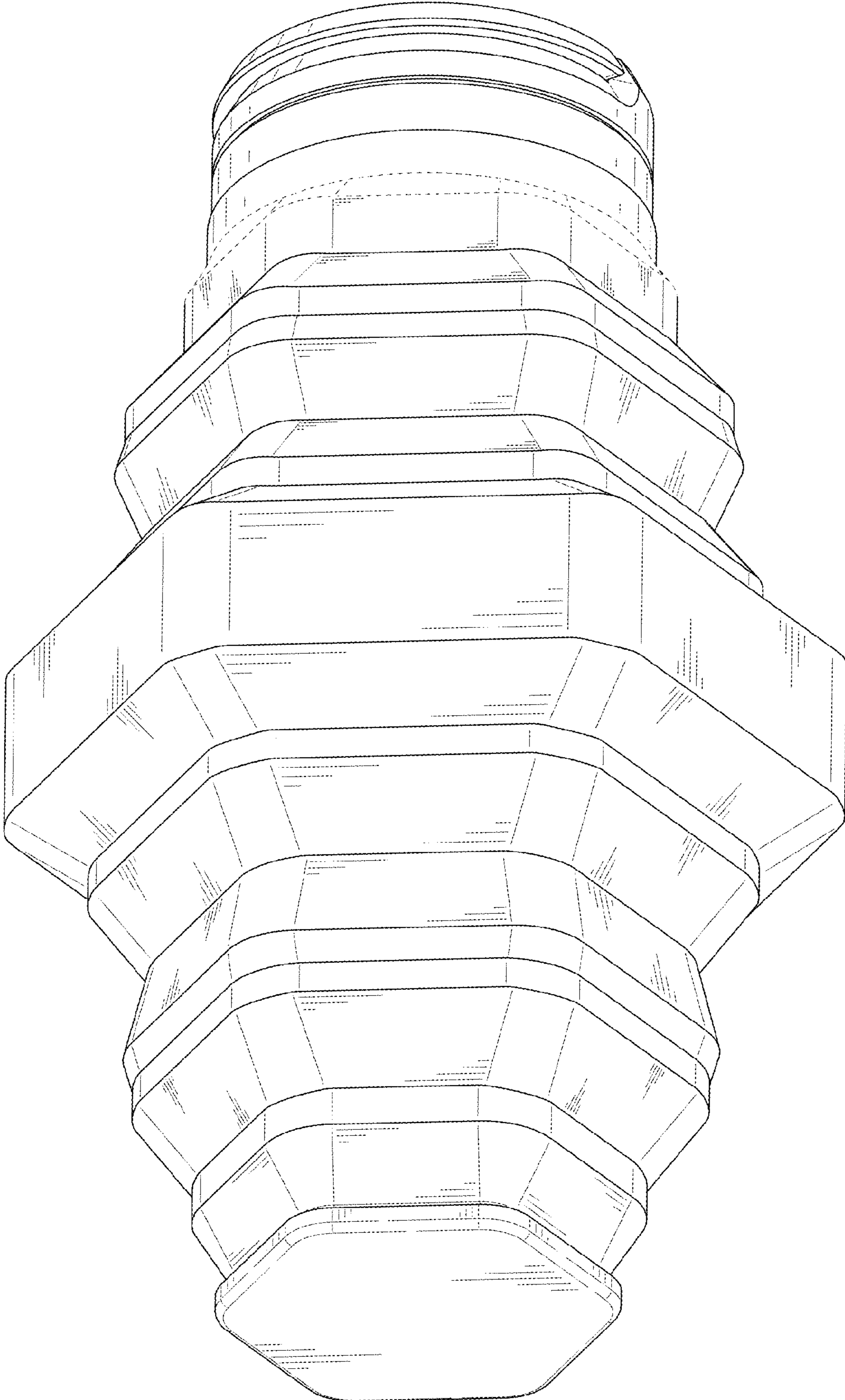


FIG. 2

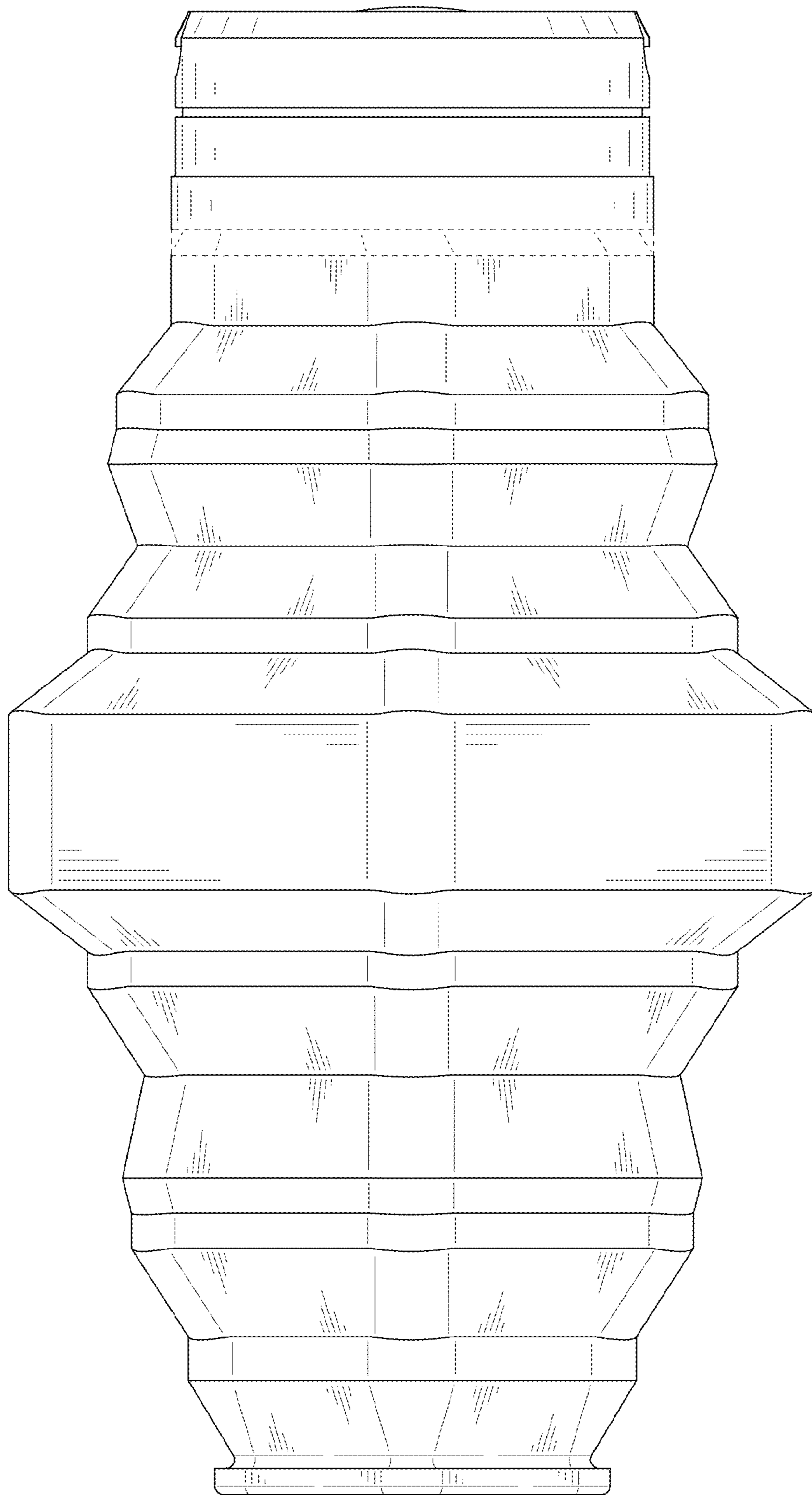


FIG. 3

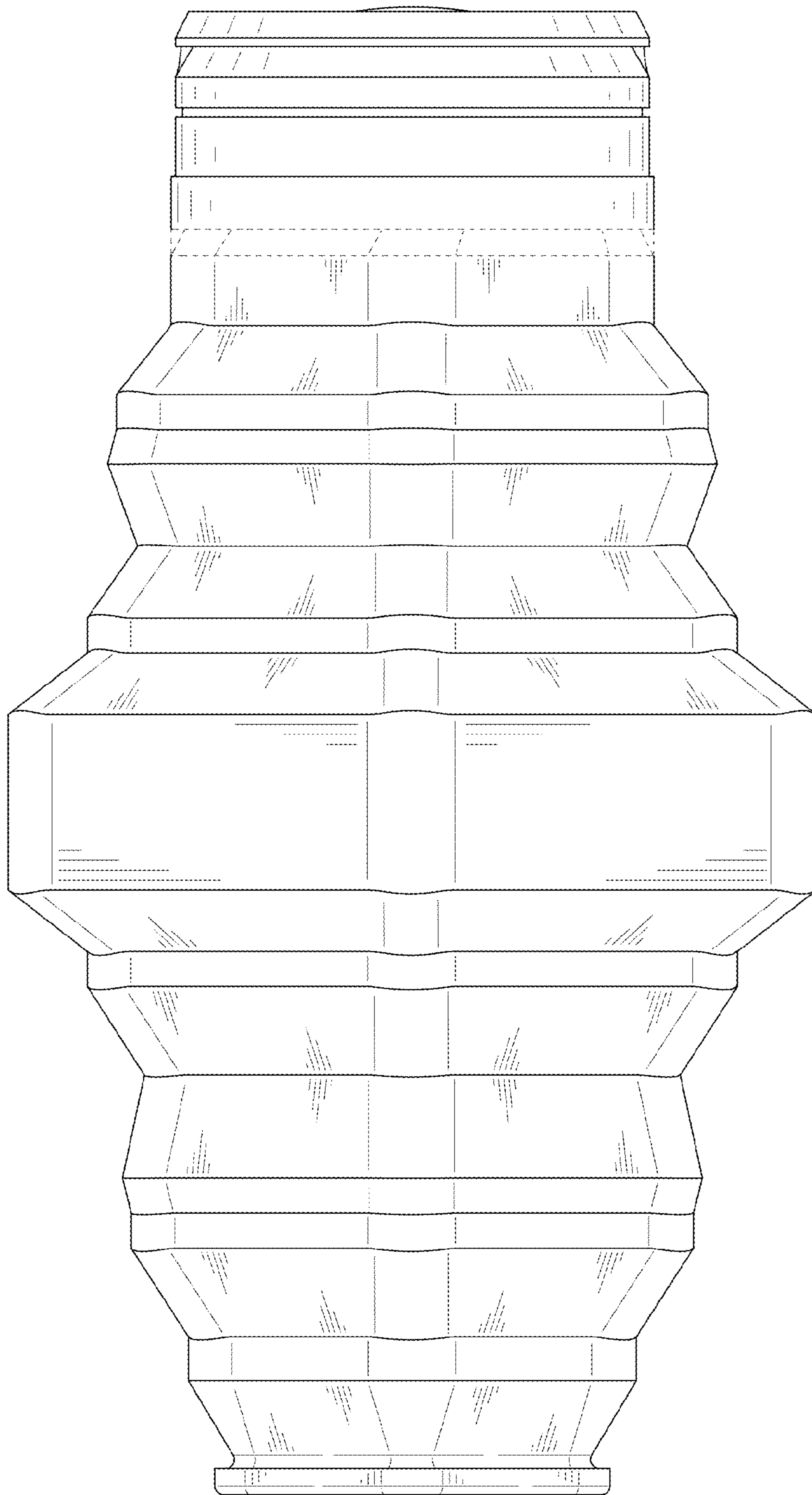


FIG. 4

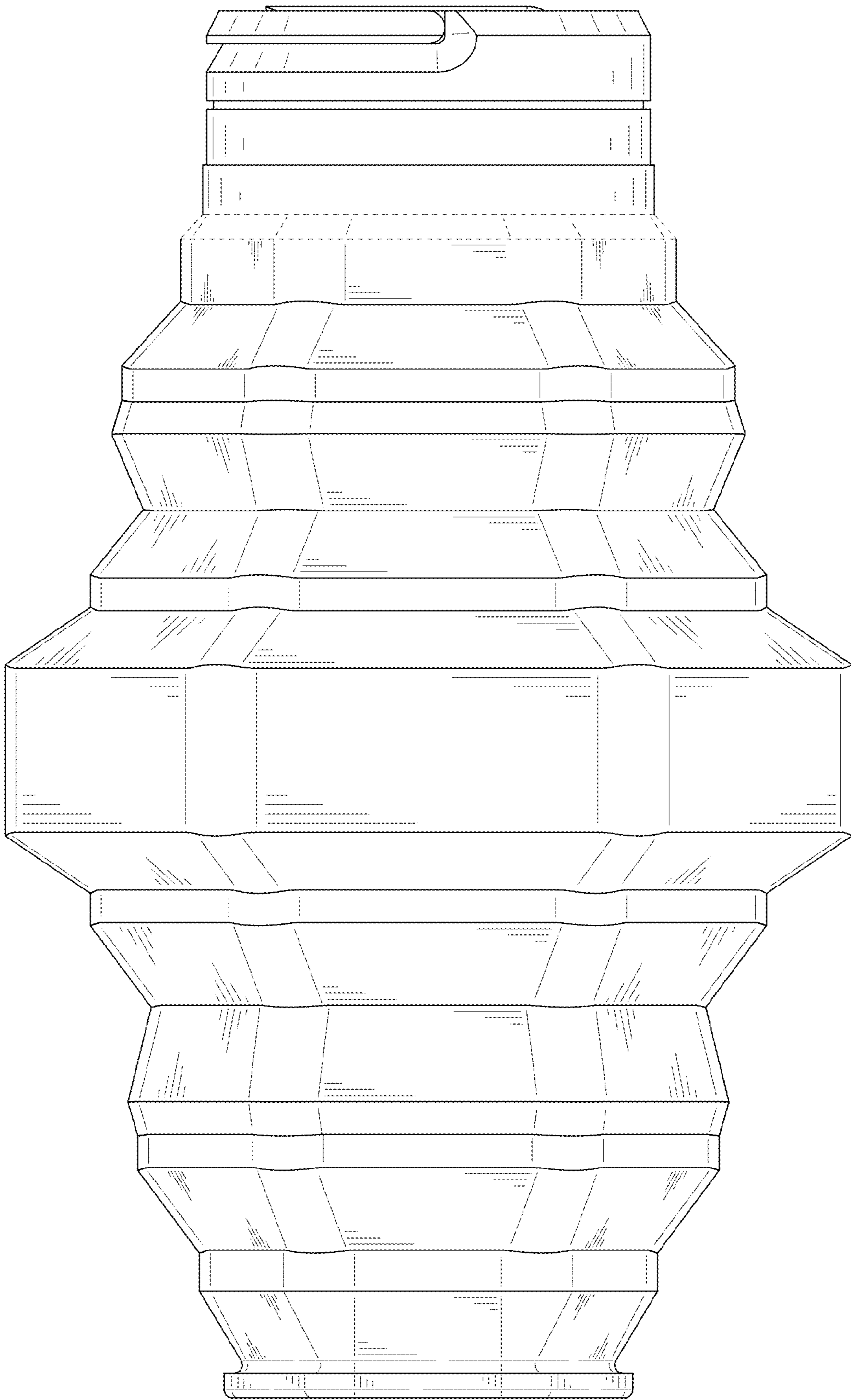


FIG. 5

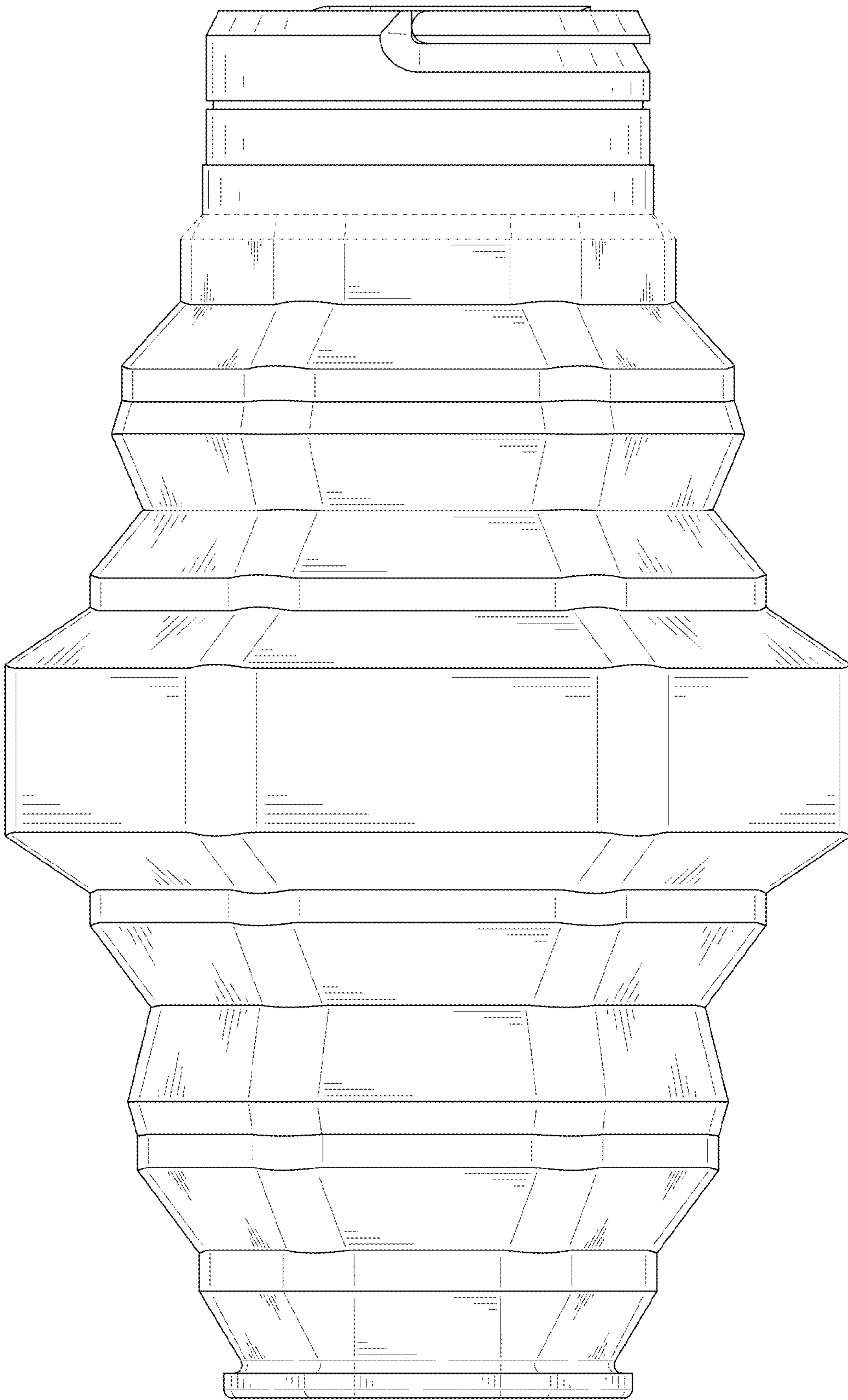


FIG. 6

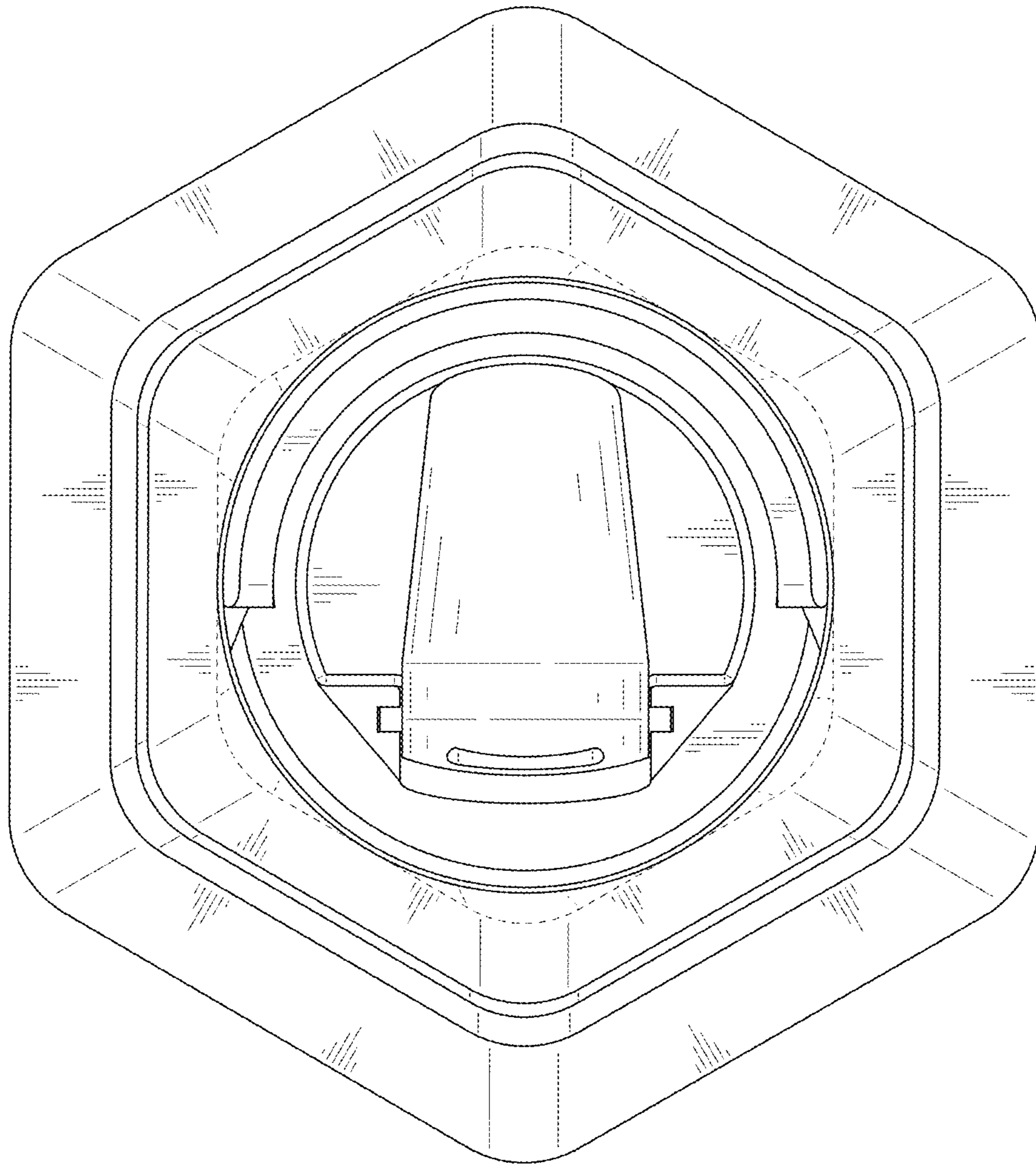


FIG. 7

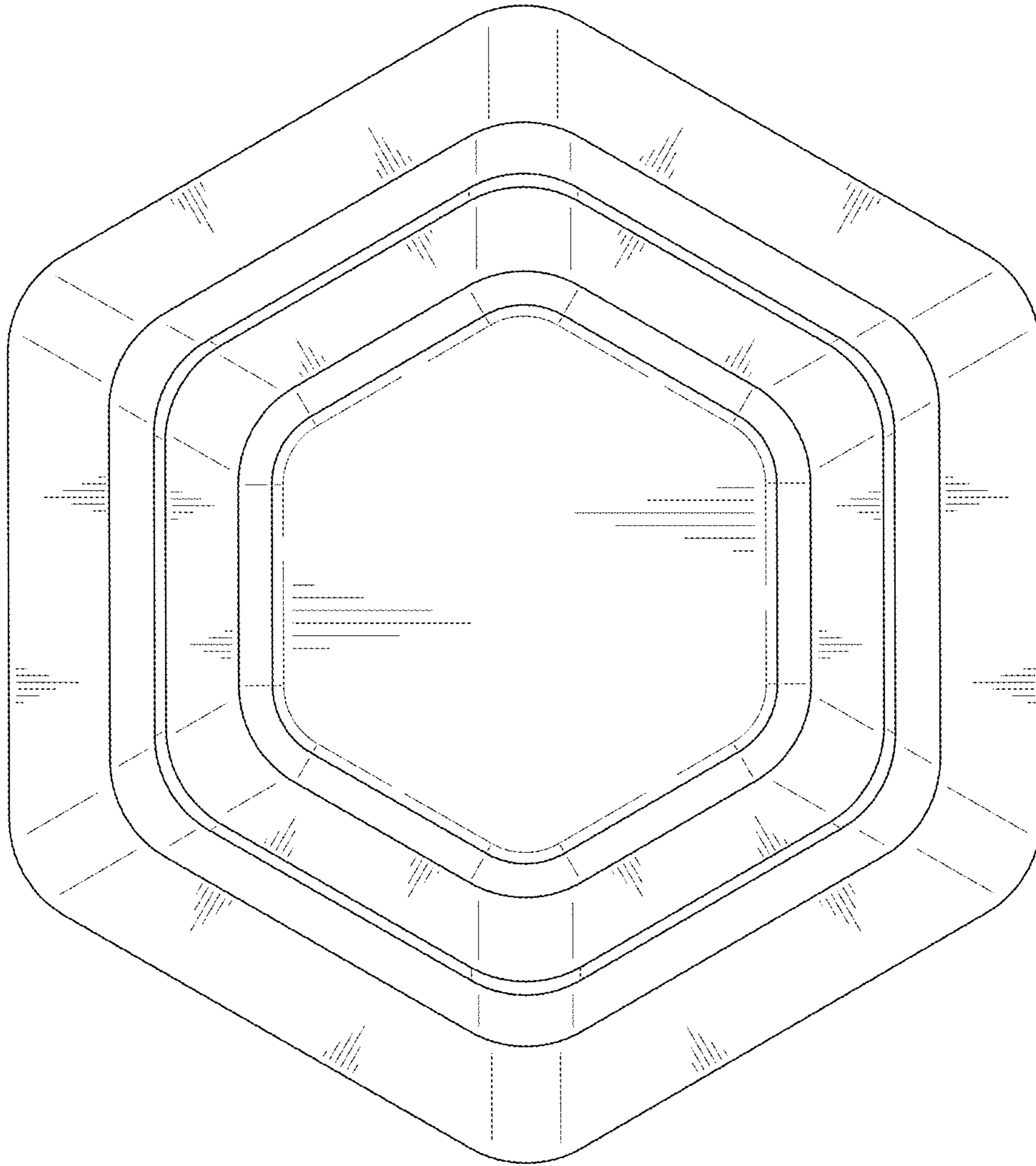


FIG. 8