



US00D945825S

(12) **United States Design Patent**  
**Beckstrom**

(10) **Patent No.:** **US D945,825 S**  
(45) **Date of Patent:** **\*\* Mar. 15, 2022**

(54) **SOUND ENCLOSURE SYSTEM FOR FOOD BLENDER**

(71) Applicant: **CONAIR CORPORATION**, Stamford, CT (US)

(72) Inventor: **David William Beckstrom**, Roxbury, CT (US)

(73) Assignee: **CONAIR LLC**, Stamford, CT (US)

(\*\*) Term: **15 Years**

(21) Appl. No.: **29/758,127**

(22) Filed: **Nov. 12, 2020**

(51) **LOC (13) Cl.** ..... **31-00**

(52) **U.S. Cl.**  
USPC ..... **D7/412; D7/376; D7/378**

(58) **Field of Classification Search**  
USPC ..... D7/372-374, 376-386, 412-413, 602, D7/629, 665-666, 669, 679, 693-694; D15/122

CPC .... A21C 1/02; A21C 1/04; A23N 1/00; A23N 1/02; A47J 43/04; A47J 43/25; A47J 43/27; A47J 43/042; A47J 43/044; A47J 43/046; A47J 43/075; A47J 43/0716; A47J 43/0722; A47J 43/0727; B01F 3/00; B01F 3/0807; B01F 3/0853; B01F 13/047; B01F 13/0059; B01F 13/0064; B02C 1/08; B02C 2/04; B02C 4/42; B02C 4/142; B02C 4/143; B02C 4/423; B02C 13/1835; B28C 5/10; B28C 5/12; B28C 5/14; B28C 5/16; F25C 5/046

See application file for complete search history.

(56) **References Cited**

**U.S. PATENT DOCUMENTS**

2,930,596 A 3/1960 Waters  
3,250,518 A 5/1966 Rossem  
3,415,497 A 12/1968 Johnson

RE27,002 E 12/1970 Stephan et al.  
4,100,613 A 7/1978 Shaeffer  
5,383,613 A 1/1995 Sundquist  
5,533,797 A 7/1996 Gelber  
5,957,577 A 9/1999 Dickson et al.  
D424,865 S 5/2000 Crescenzi et al.  
D432,864 S \* 10/2000 Kindig ..... D7/412  
D466,760 S \* 12/2002 Baerenrodt ..... D7/378  
D466,761 S \* 12/2002 Baerenrodt ..... D7/378  
6,571,908 B2 6/2003 Bohannon et al.  
D528,364 S 9/2006 Kolar et al.  
D637,862 S \* 5/2011 Fouquet ..... D7/378  
8,087,603 B2 1/2012 Kolar et al.

(Continued)

**OTHER PUBLICATIONS**

Blendtec Commercial CONNOISSEUR 825 Blender. Date First Available on Amazon.com Feb. 16, 2018. <https://www.amazon.com/Blendtec-Commercial-CONNOISSEUR-825-Blender/dp/B079TH7XXD/ref> (Year: 2018).\*

*Primary Examiner* — Ricky Pham  
(74) *Attorney, Agent, or Firm* — Grogan, Tuccillo & Vanderleeden LLP

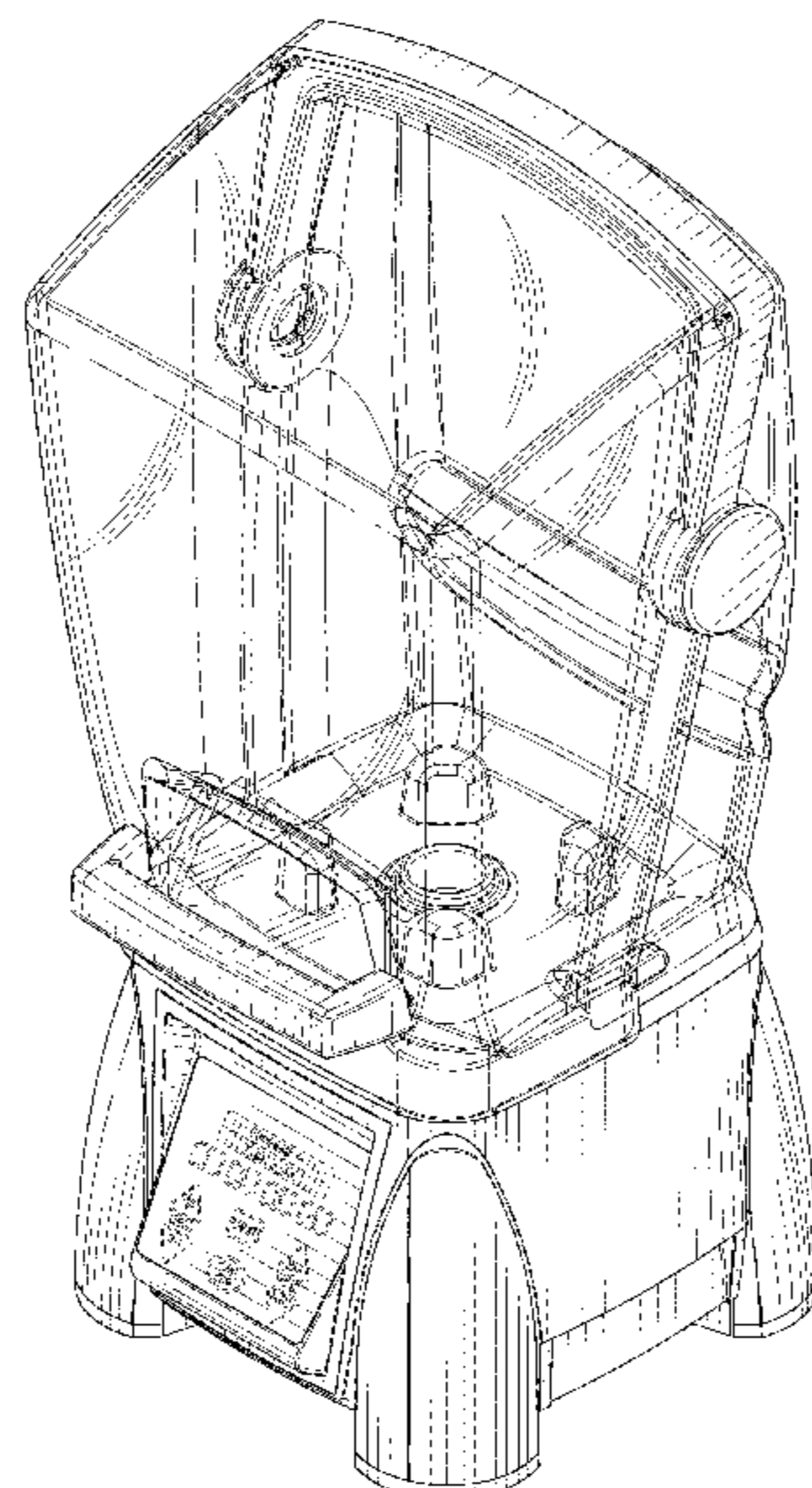
(57) **CLAIM**

The ornamental design for a sound enclosure system for food blender, as shown and described.

**DESCRIPTION**

FIG. 1 is a top perspective view of a sound enclosure system for food blender showing a new design; FIG. 2 is a front elevational view thereof; FIG. 3 is a rear elevational view thereof; FIG. 4 is a left side elevational view thereof; FIG. 5 is a right side elevational view thereof; FIG. 6 is a top plan view thereof; and, FIG. 7 is bottom plan view thereof. The broken lines are for illustrative purposes only and form no part of the claimed design.

**1 Claim, 7 Drawing Sheets**



(56)

**References Cited**

U.S. PATENT DOCUMENTS

8,287,180 B2 \* 10/2012 Kolar ..... A47J 43/0716  
366/347  
D787,882 S \* 5/2017 McConnell ..... D7/378  
9,681,778 B2 6/2017 Pendleton et al.  
9,770,133 B2 9/2017 Dickson, Jr. et al.  
D838,538 S 1/2019 Carlson  
10,357,131 B2 7/2019 Dickson, Jr. et al.  
10,357,749 B2 7/2019 Fleming  
D883,021 S 5/2020 McConnell et al.  
10,638,884 B2 5/2020 Zakowski et al.  
D900,172 S \* 10/2020 Wu ..... D15/122  
D922,144 S \* 6/2021 McConnell ..... D7/412  
2003/0034200 A1 \* 2/2003 Bohannon ..... A47J 43/0716  
181/202  
2010/0038462 A1 \* 2/2010 Kolar ..... A47J 43/046  
241/285.3  
2014/0299701 A1 10/2014 Zakowski  
2017/0224169 A1 \* 8/2017 Kolar ..... B01F 13/047

\* cited by examiner

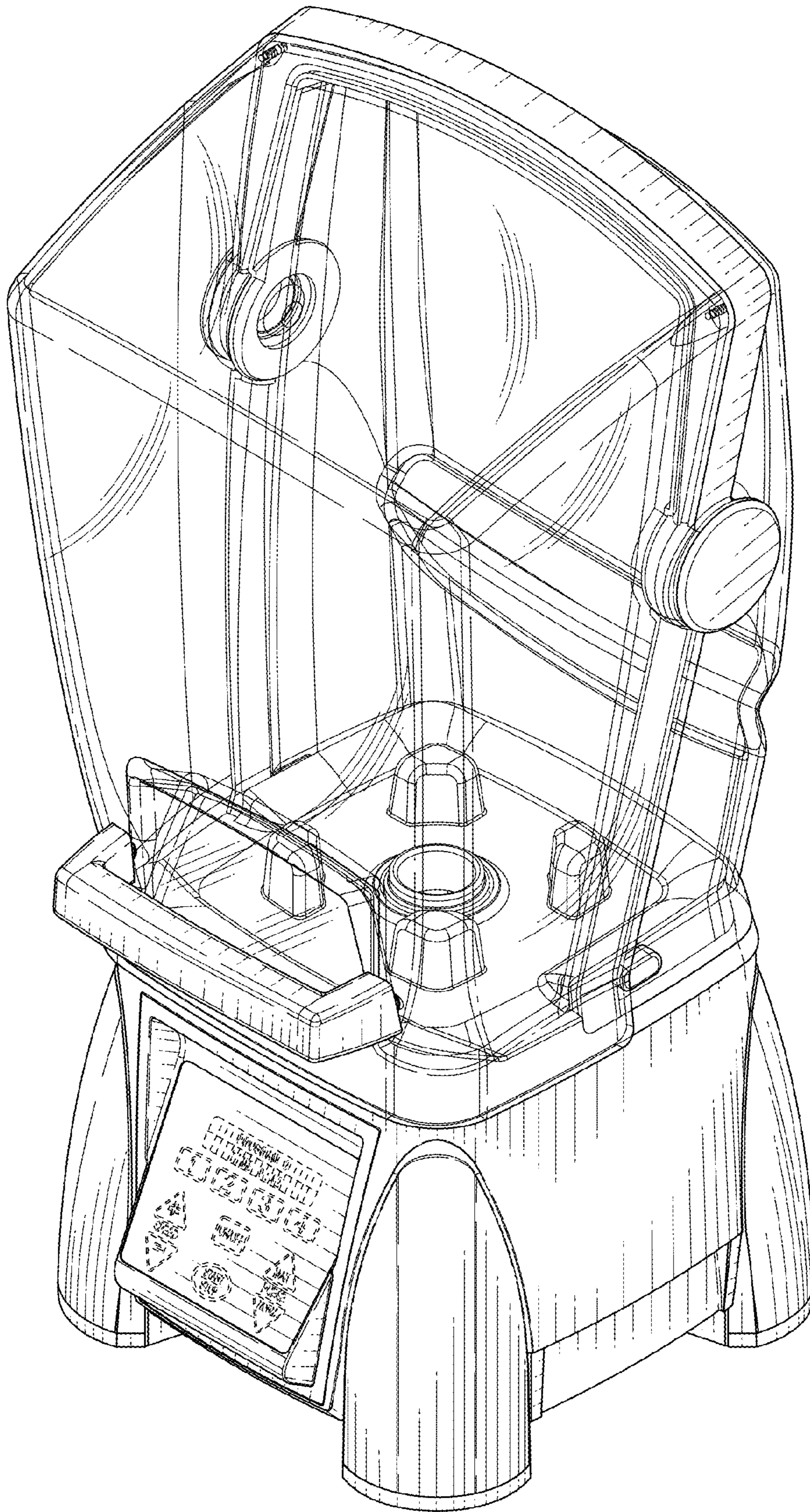


FIG. 1

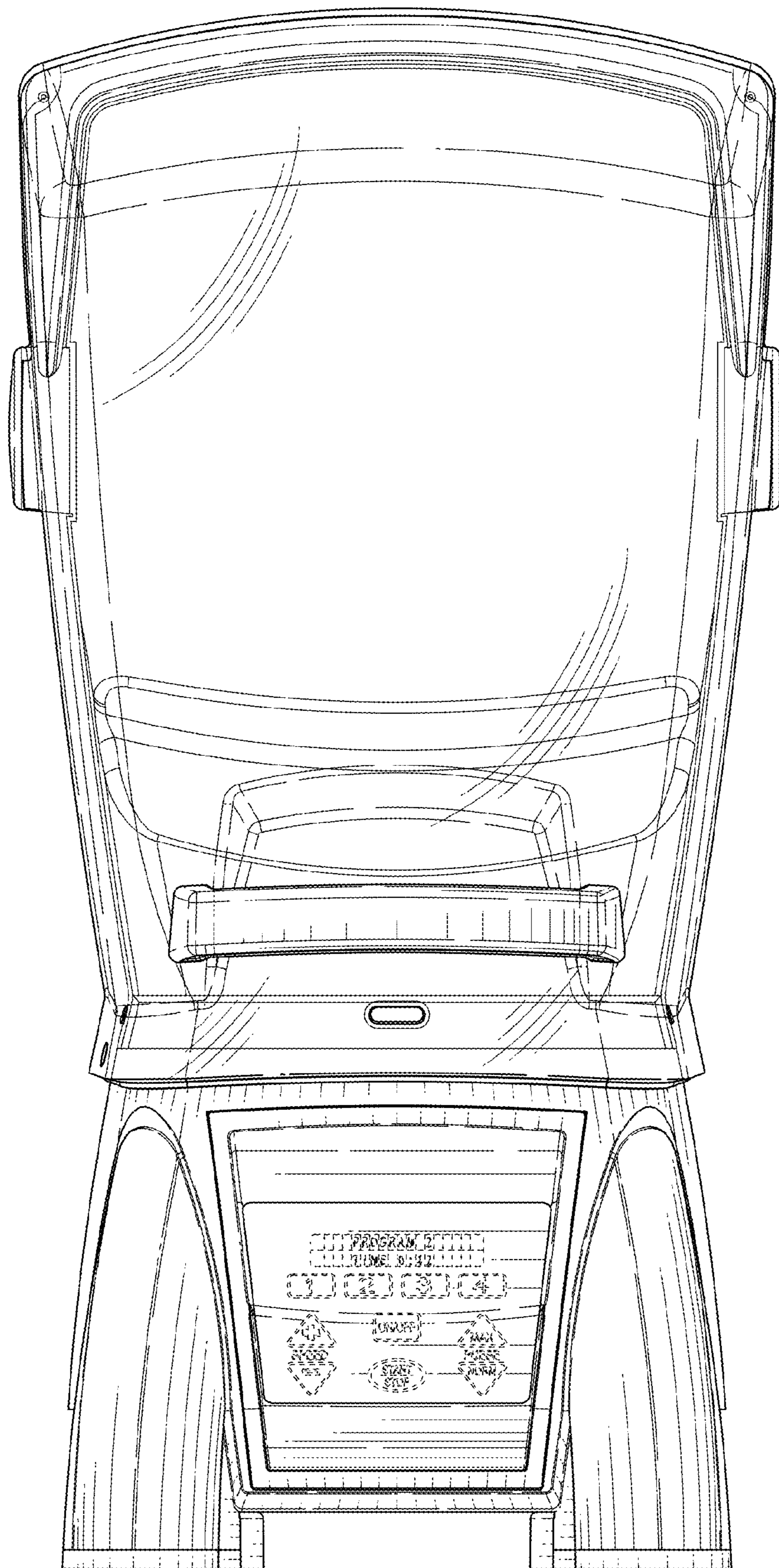


FIG. 2

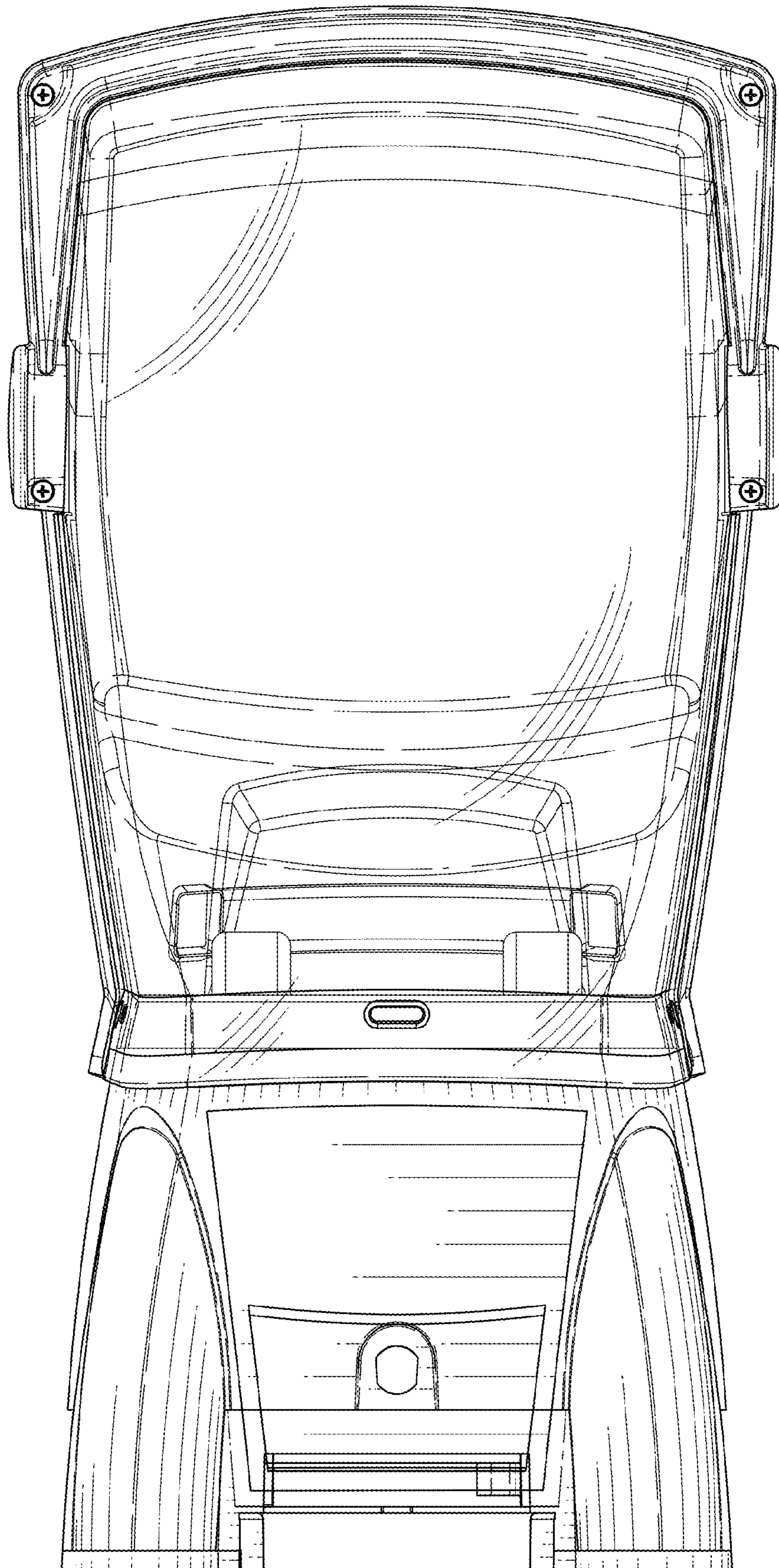


FIG. 3

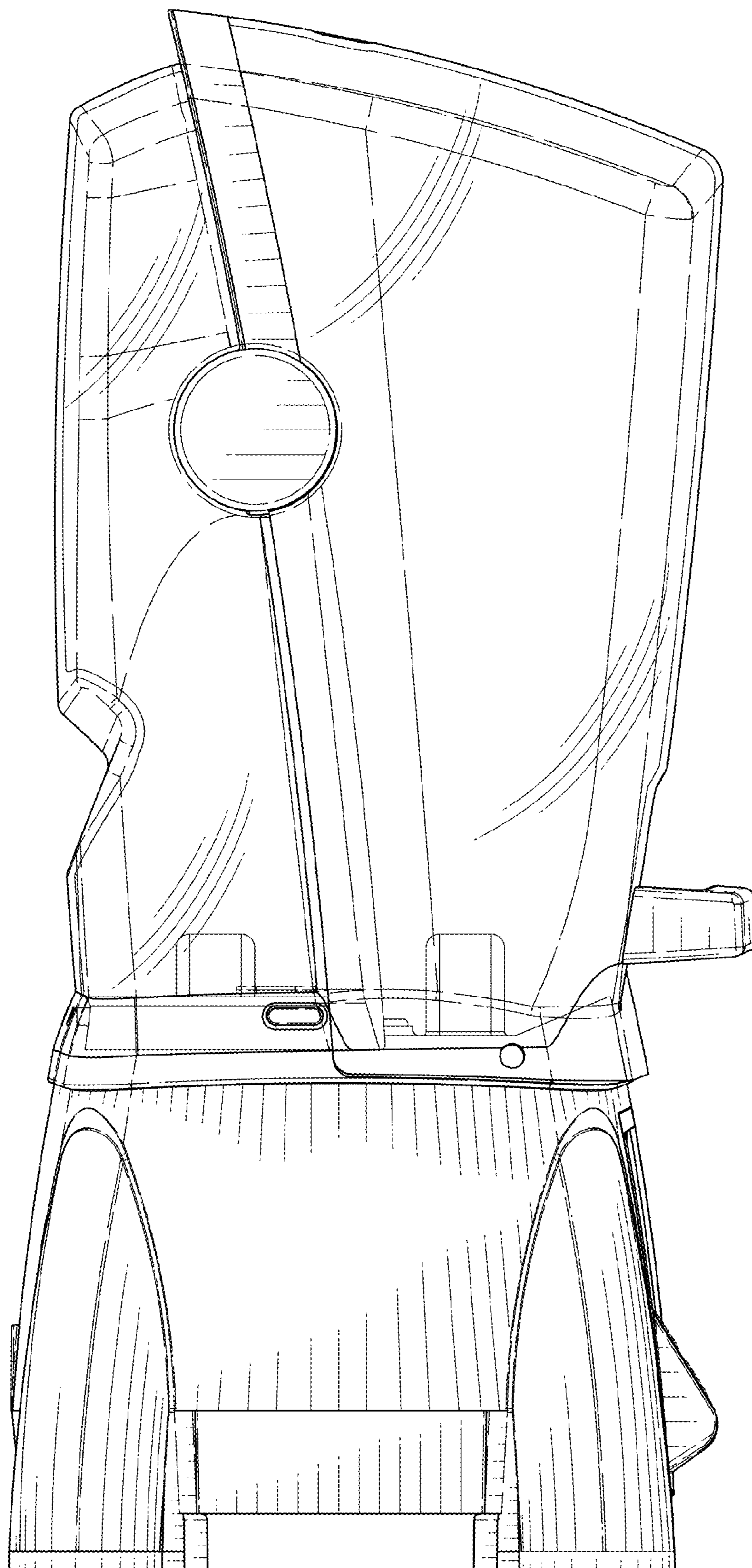


FIG. 4

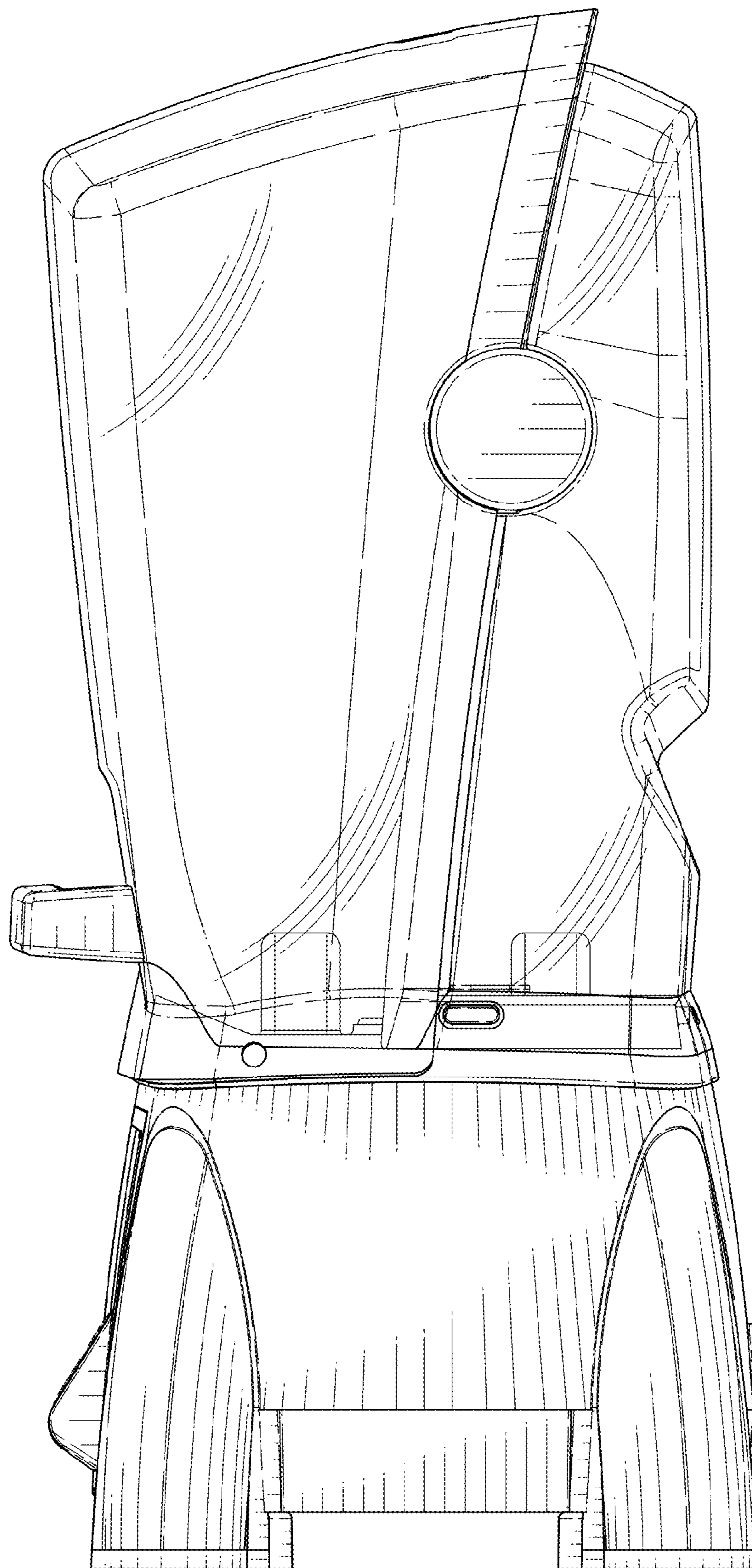


FIG. 5

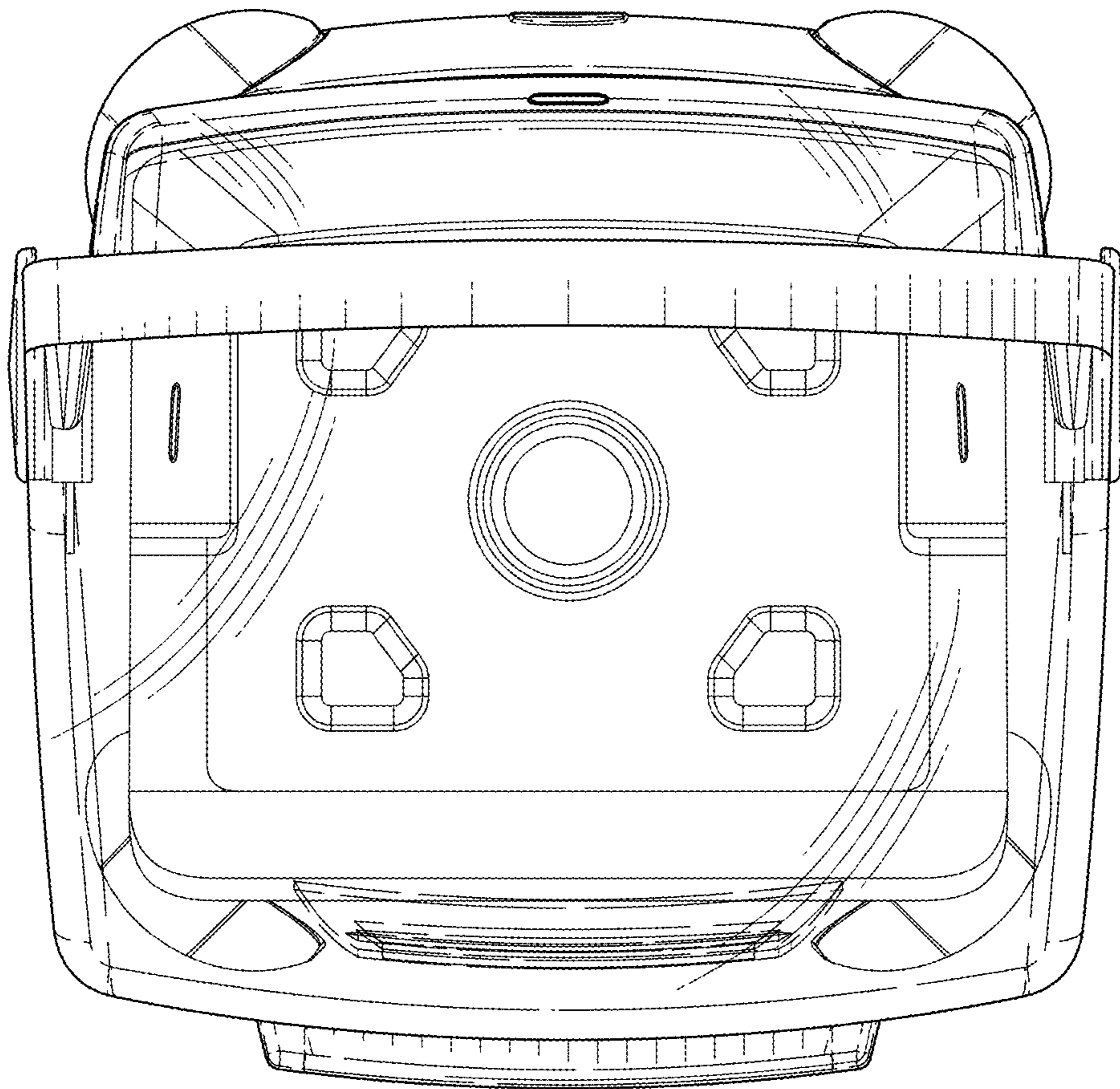


FIG. 6



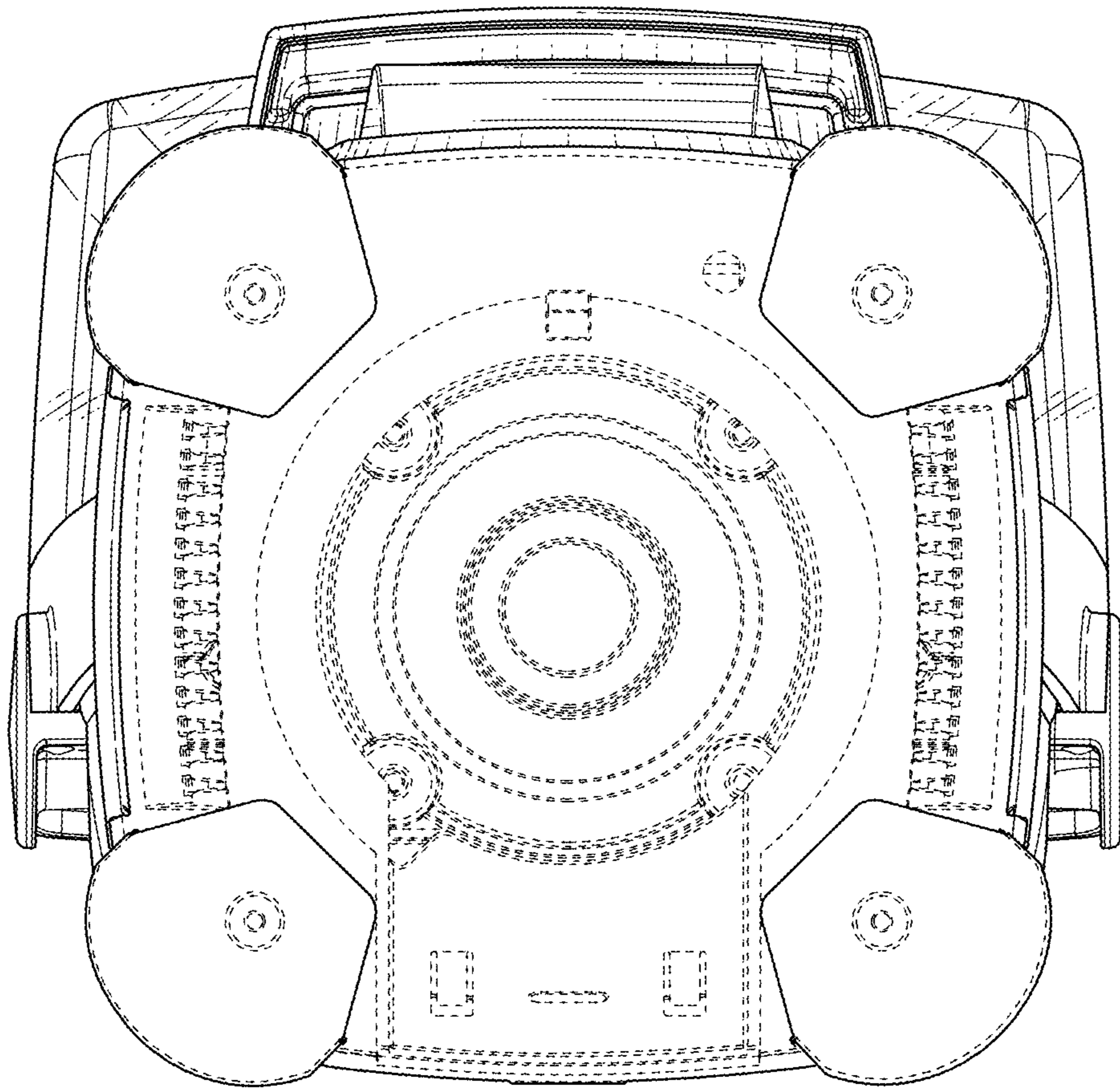


FIG. 7