



US00D945823S

(12) **United States Design Patent**
Liaw

(10) **Patent No.:** **US D945,823 S**
(45) **Date of Patent:** **** Mar. 15, 2022**

- (54) **FAUCET HANDLE**
- (71) Applicant: **KING SANPOH MOLD COMPANY LTD.**, Tainan (TW)
- (72) Inventor: **Y-Tan Liaw**, Tainan (TW)
- (73) Assignee: **DATUM DISPENSING SOLUTIONS CO., LTD.**, Tainan (TW)
- (**) Term: **15 Years**
- (21) Appl. No.: **29/761,292**
- (22) Filed: **Dec. 8, 2020**
- (51) **LOC (13) Cl.** **07-99**
- (52) **U.S. Cl.**
USPC **D7/398**
- (58) **Field of Classification Search**
USPC D7/387, 389, 393, 395, 397, 398, 399,
D7/401.1, 300, 306-312, 313; D23/213,
D23/233, 259
CPC B67D 1/00; B67D 1/14; B67D 1/1405;
B67D 3/00; B65D 41/04; A47J 31/40
See application file for complete search history.

D798,657 S * 10/2017 Lin D7/398
D832,038 S * 10/2018 Lin D7/398
D833,217 S * 11/2018 Lin D7/398

(Continued)

OTHER PUBLICATIONS

AquaNation Cooler Faucet | posted at Amazon.com, posted on Oct. 12, 2018 © 1996-2021 Amazon.com, [online], [site visited Nov. 14, 2021]. Available from Internet, <URL:https://www.amazon.com/AquaNation-Replacement-Reusable-Beverage-Dispenser/dp/B07JDM6YSZ/> (Year: 2018).*

Primary Examiner — Susan E Krakower

Assistant Examiner — Andrew Kerr

(74) *Attorney, Agent, or Firm* — Browdy and Neimark, PLLC

(57) **CLAIM**

The ornamental design for a faucet handle, as shown and described.

DESCRIPTION

FIG. 1 is a perspective view of a faucet handle, showing my new design;
FIG. 2 is an another perspective view thereof;
FIG. 3 is a front view thereof;
FIG. 4 is a rear view thereof;
FIG. 5 is a left side view thereof;
FIG. 6 is a right side view thereof;
FIG. 7 is a top view thereof;
FIG. 8 is a bottom view thereof; and,
FIG. 9 is a cross-section view taken along 9-9 of FIG. 7 thereof.

The even-spaced dashed broken lines shown in the drawings depict portions of the article that form no part of the claimed design.

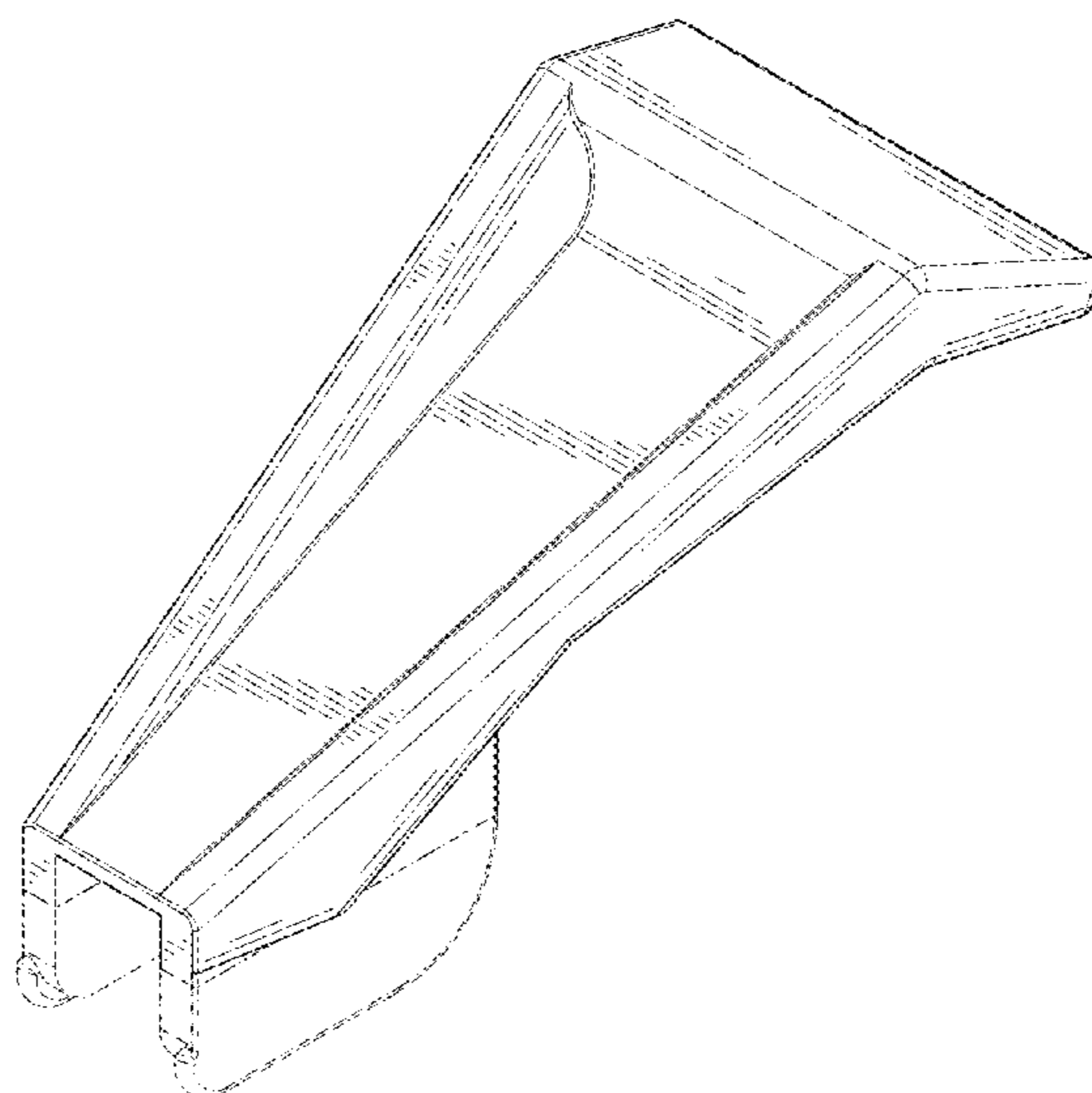
The dash-dot broken lines shown in the drawings define the bounds of the claimed design that form no part thereof.

1 Claim, 9 Drawing Sheets

(56) **References Cited**

U.S. PATENT DOCUMENTS

- D189,904 S * 3/1961 Seltsam D7/398
- 3,104,089 A * 9/1963 Seltsam B67D 1/1466
251/263
- 3,301,525 A * 1/1967 Chernak F16K 41/103
251/331
- 6,086,045 A * 7/2000 Moon F16K 41/103
251/109
- D429,943 S * 8/2000 Yu D7/306
- D440,458 S * 4/2001 Ohu D7/300
- 6,736,298 B2 * 5/2004 Busick B01D 35/143
222/146.1
- 6,808,088 B2 * 10/2004 Chiu B67D 1/0871
222/155
- D525,828 S * 8/2006 Daniels, Jr. D7/398
- D786,002 S * 5/2017 Archer D7/306



(56)

References Cited

U.S. PATENT DOCUMENTS

D834,871 S *	12/2018	Rupp	D7/315
D840,736 S *	2/2019	Petruzzi	D7/313
D858,185 S *	9/2019	Vazin	D7/398
D860,722 S *	9/2019	Gallagher	D7/398
D883,027 S *	5/2020	Chung	D7/398
D897,153 S *	9/2020	Vazin	D7/398
D929,167 S *	8/2021	Vul	D7/313
2015/0048118 A1 *	2/2015	English	B67D 3/00 222/131

* cited by examiner

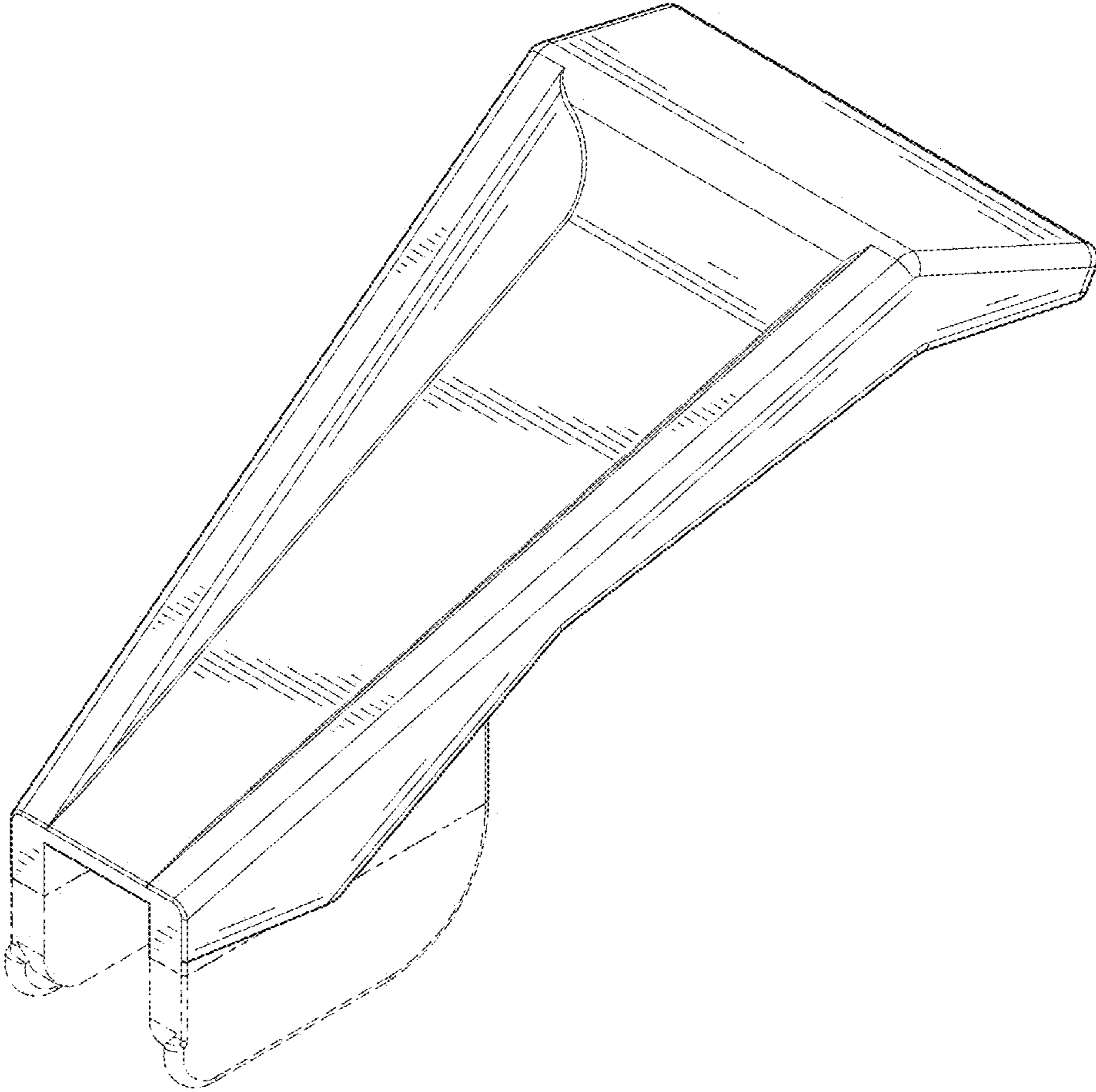


FIG.1

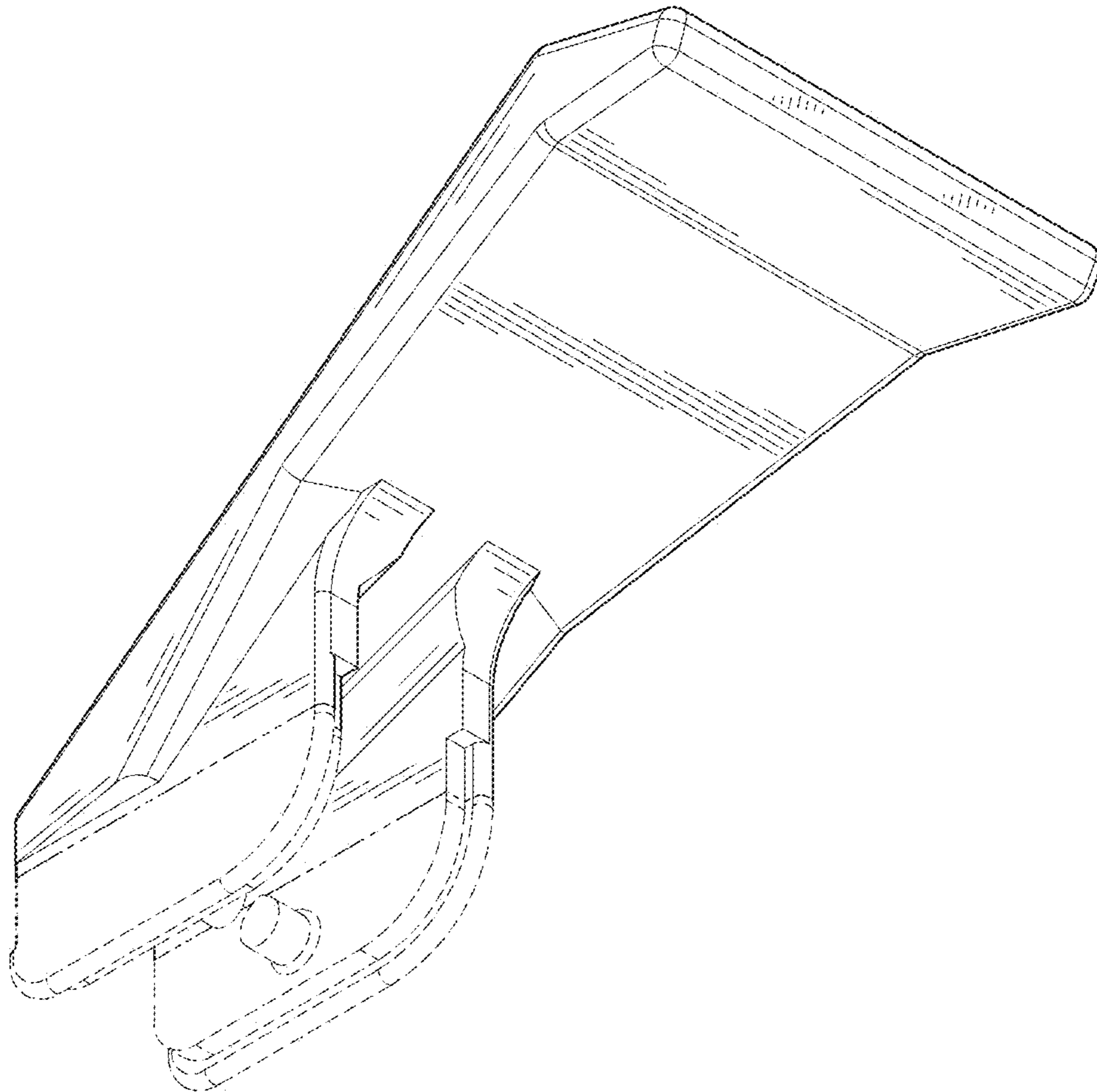


FIG.2

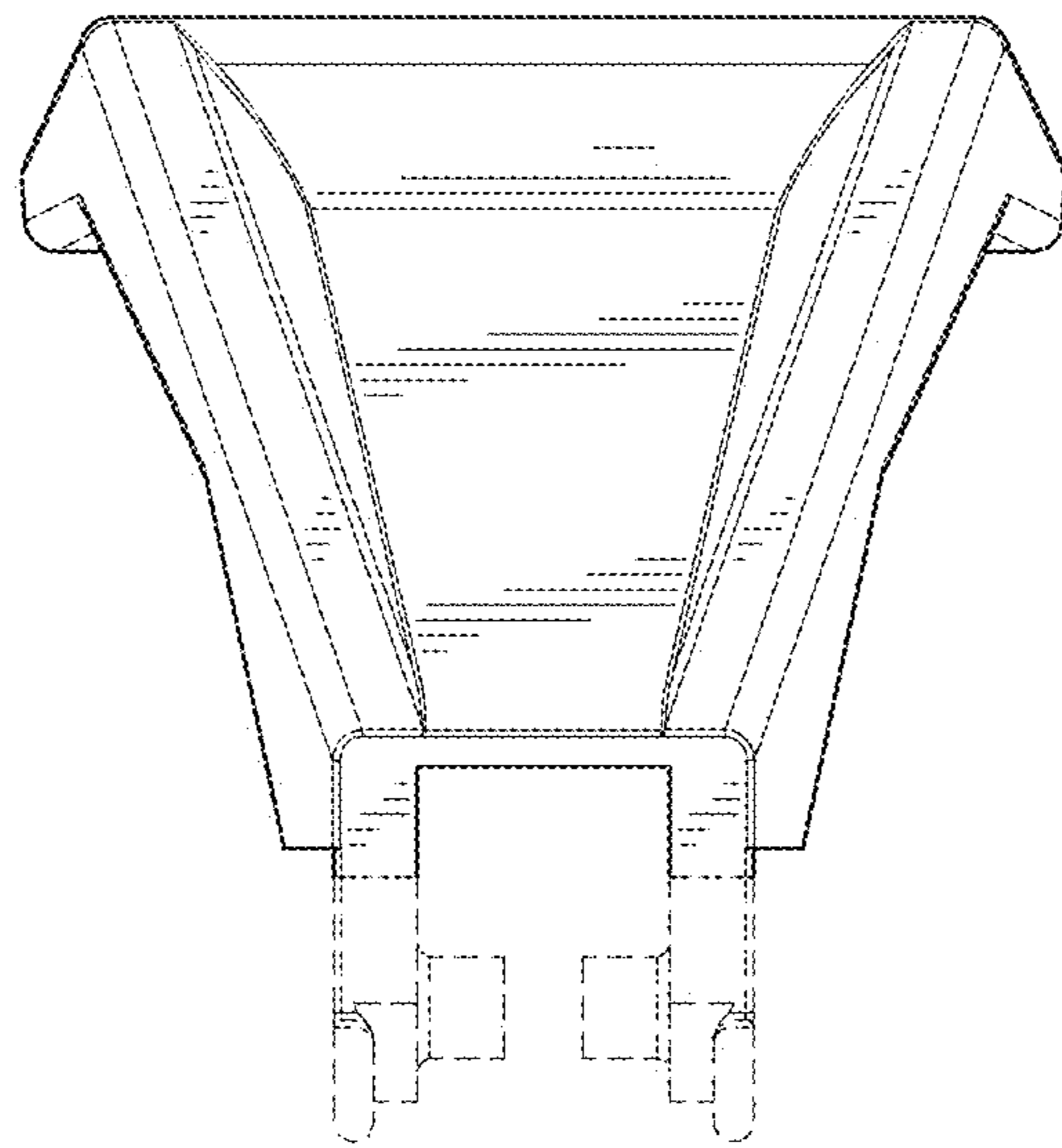


FIG.3

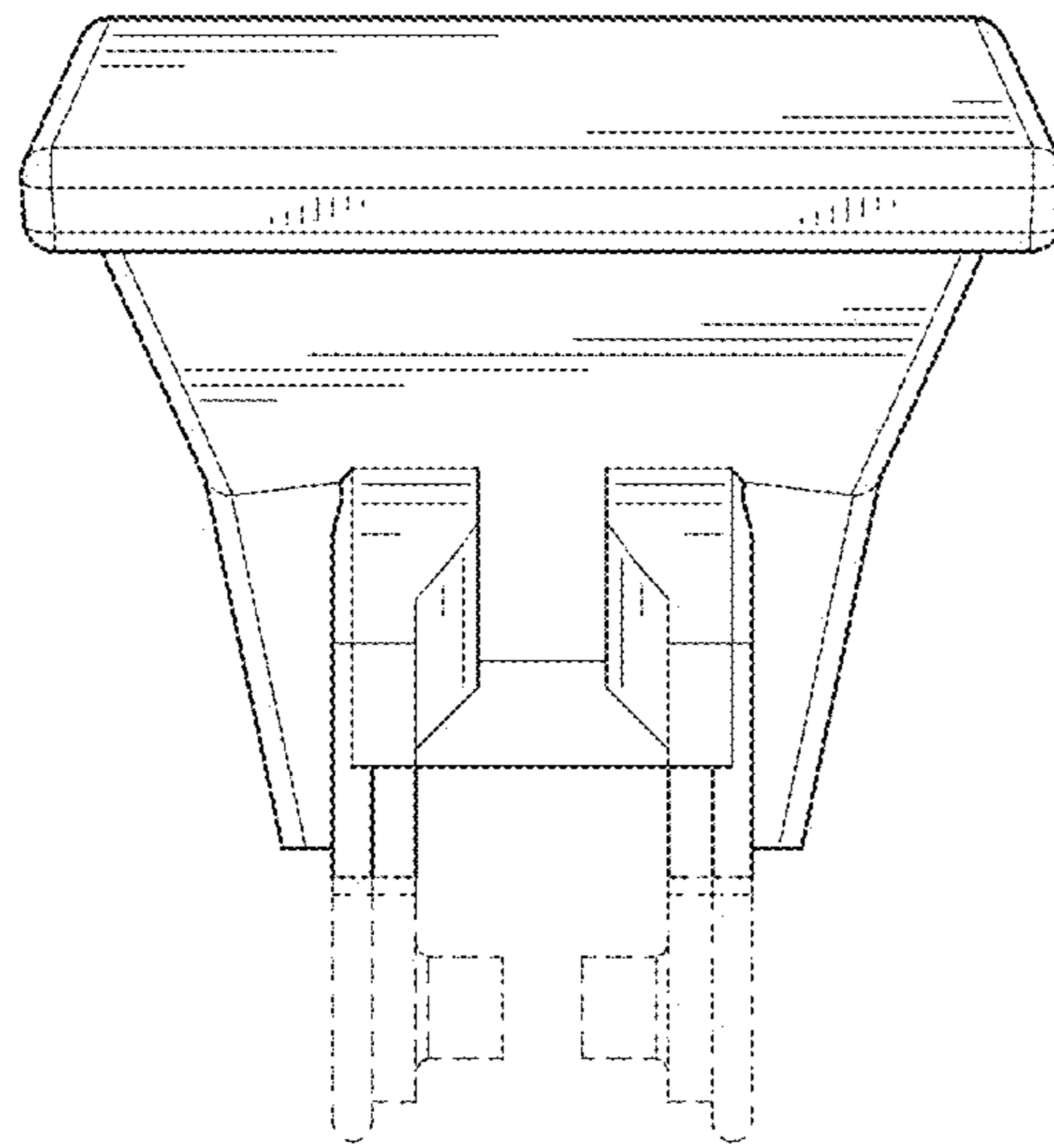


FIG.4

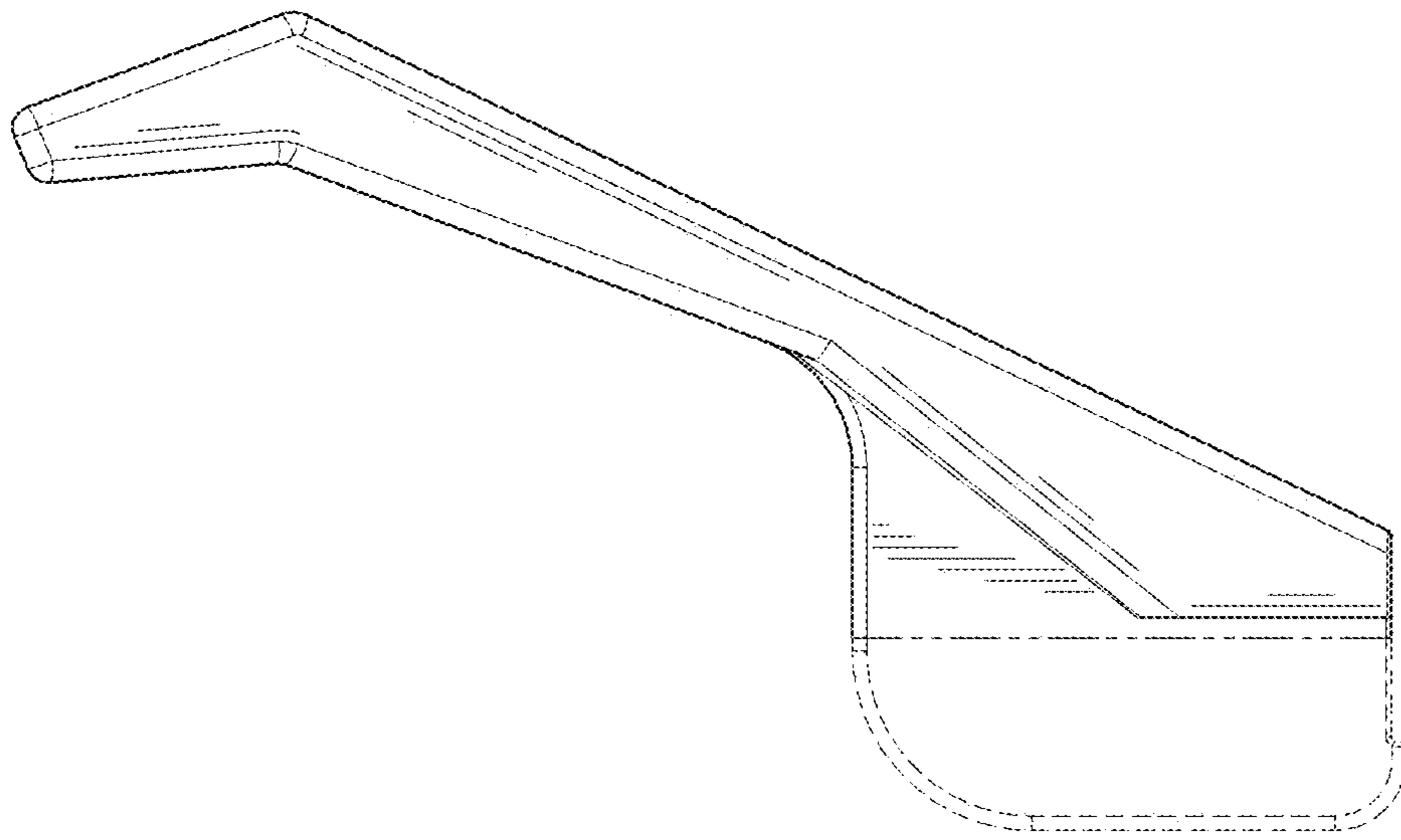


FIG. 5

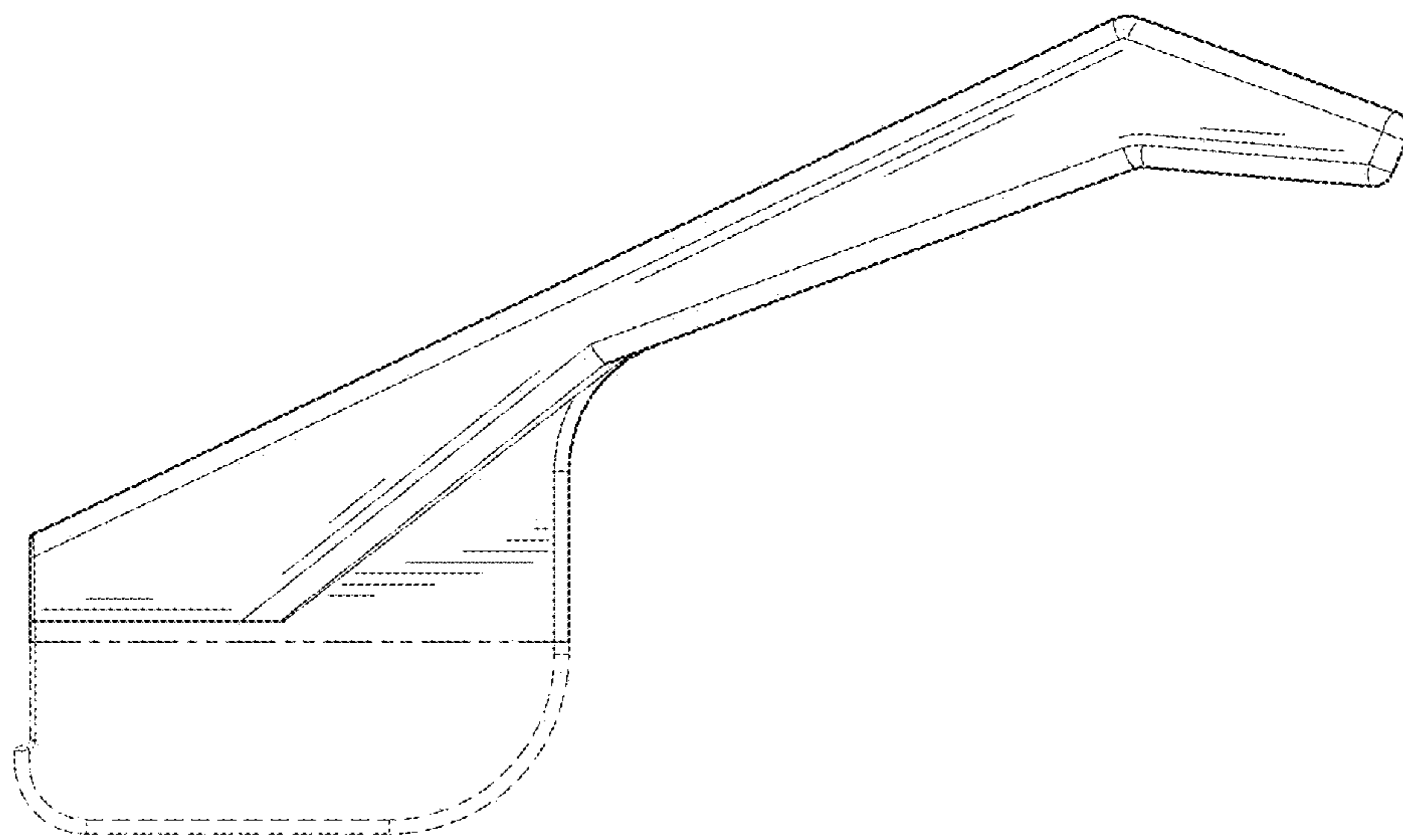


FIG.6

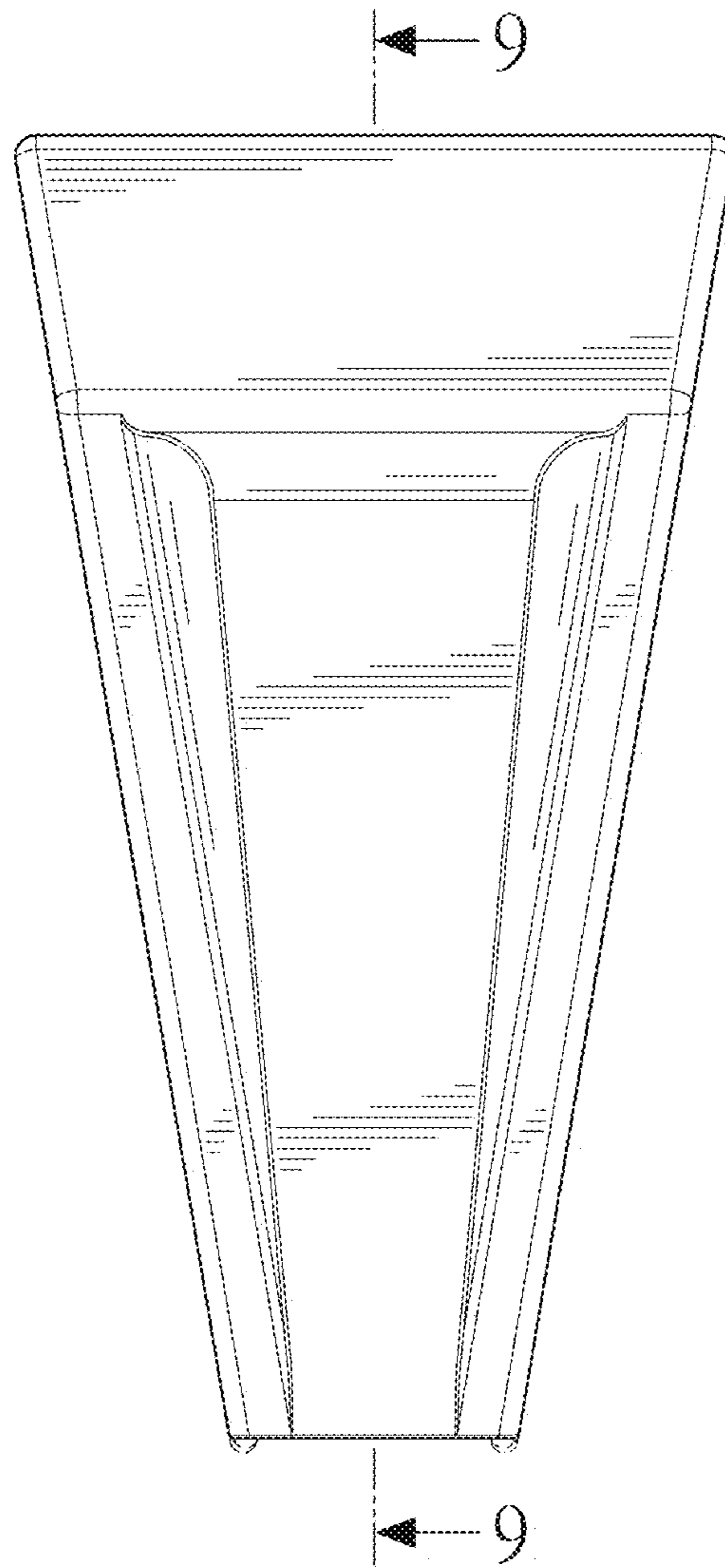


FIG.7

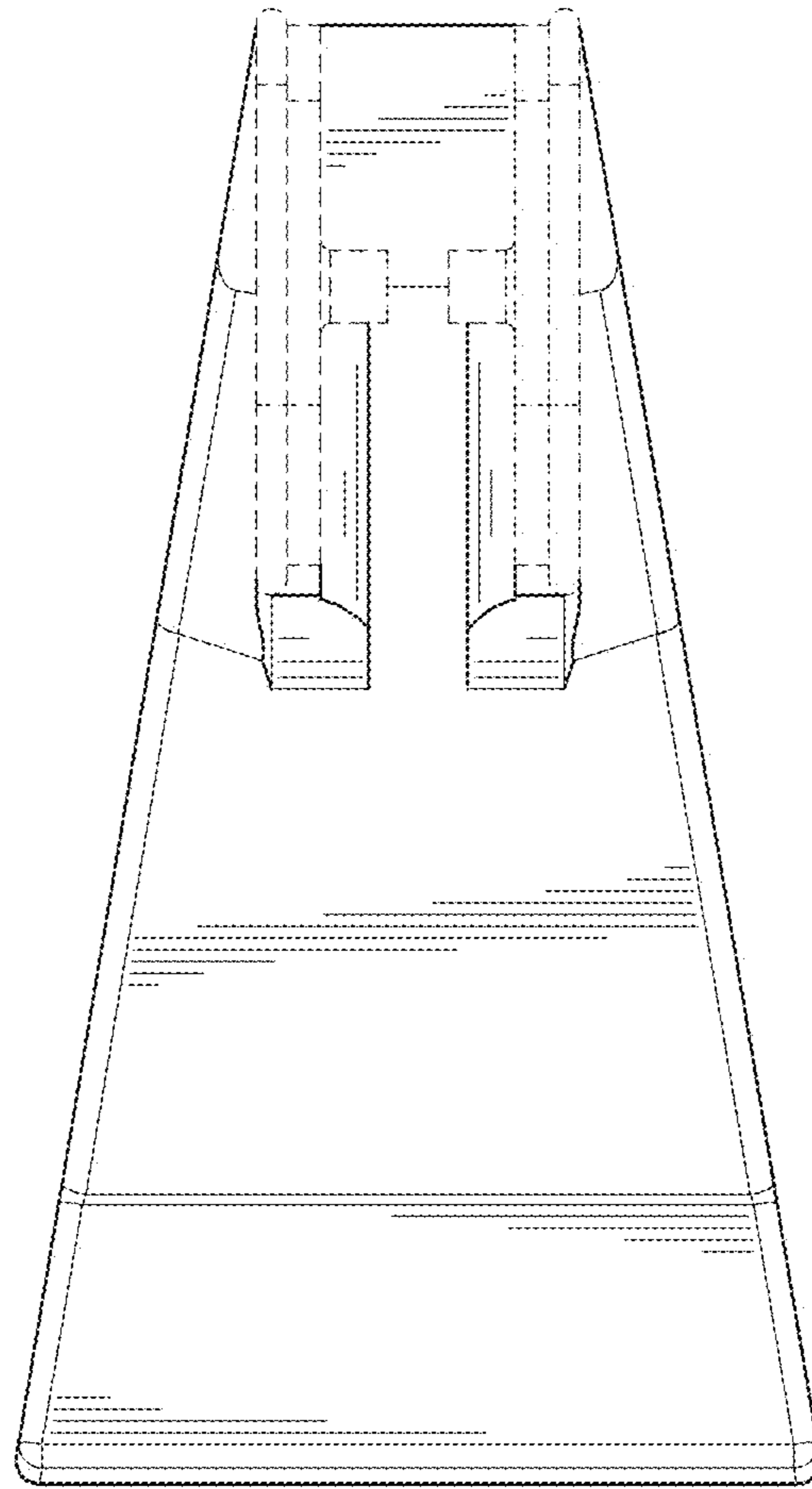


FIG.8

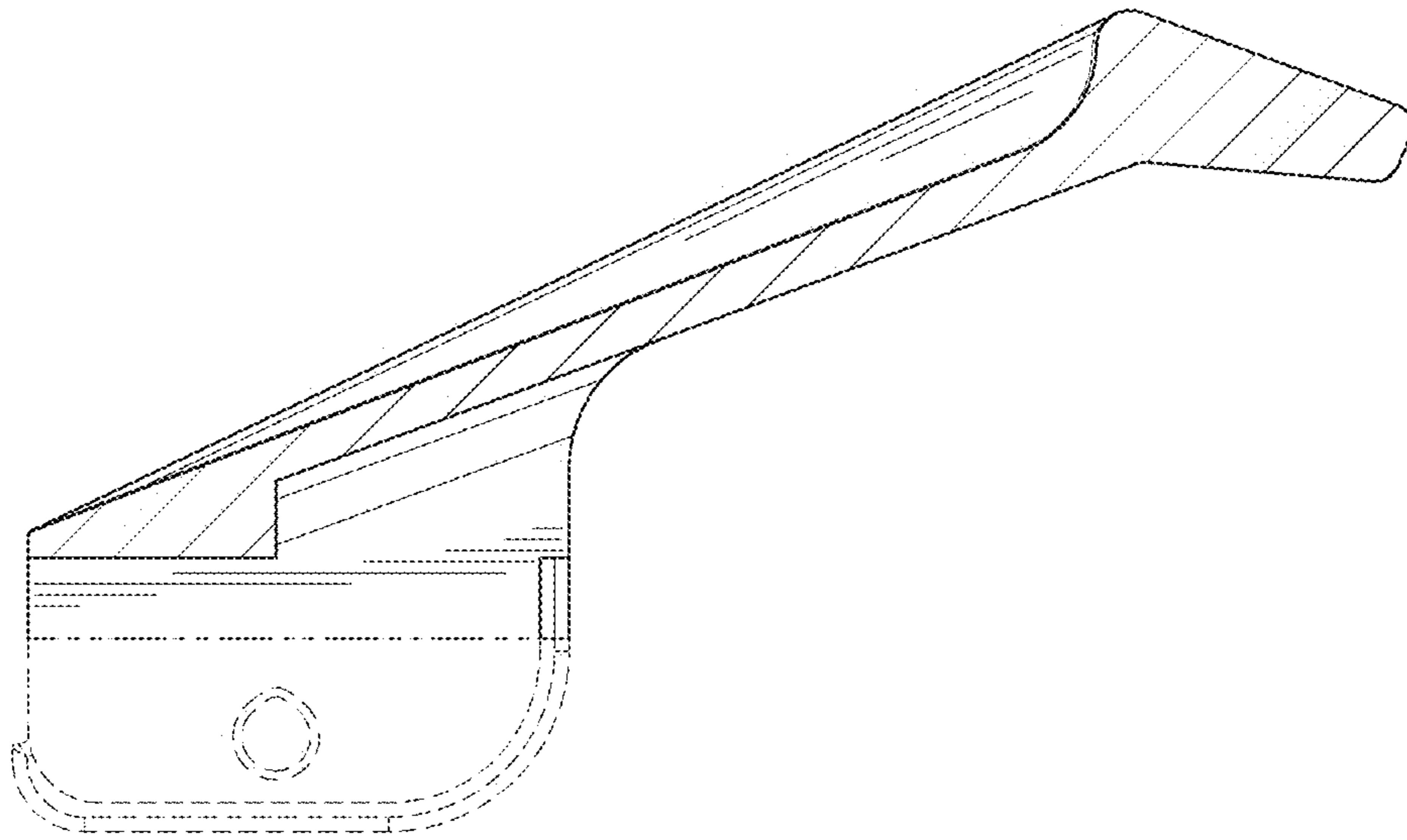


FIG.9