

US00D945817S

(12) **United States Design Patent**  
**Chen**

(10) **Patent No.:** **US D945,817 S**  
(45) **Date of Patent:** **\*\* Mar. 15, 2022**

- (54) **SPAGHETTI RAVIOLI MAKER**
- (71) Applicant: **Yusheng Chen**, Puning (CN)
- (72) Inventor: **Yusheng Chen**, Puning (CN)
- (\*\*) Term: **15 Years**
- (21) Appl. No.: **29/778,341**
- (22) Filed: **Apr. 13, 2021**

(30) **Foreign Application Priority Data**

Mar. 25, 2021 (CN) ..... 202130164476.X

- (51) **LOC (13) Cl.** ..... **31-00**
- (52) **U.S. Cl.**  
USPC ..... **D7/381**

(58) **Field of Classification Search**

USPC ..... D7/368, 372, 376-386, 412-413, 602,  
D7/629, 665-666, 669, 679, 693-694  
CPC .. A21C 1/02; A21C 1/04; A21C 11/22; A23N  
1/00; A23N 1/02; A47J 43/04; A47J  
43/25; A47J 43/27; A47J 43/042; A47J  
43/044; A47J 43/046; A47J 43/075; A47J  
43/0722; A47J 43/0727; B01F 3/00; B01F  
3/0807; B01F 3/0853; B01F 13/0059;  
B01F 13/0064; B02C 1/08; B02C 2/04;  
B02C 4/42; B02C 4/142; B02C 4/143;  
B02C 4/423; B02C 13/1835; B28C 5/10;  
B28C 5/12; B28C 5/14; B28C 5/16  
See application file for complete search history.

(56) **References Cited**

**U.S. PATENT DOCUMENTS**

- 1,994,854 A \* 3/1935 Dieterle ..... A21C 11/22  
425/310
- D192,704 S \* 5/1962 Giunta ..... D7/383
- 5,770,239 A \* 6/1998 Ancona ..... A21C 11/22  
366/309
- D444,669 S \* 7/2001 Prot ..... D7/376

- D467,767 S \* 12/2002 Ancona ..... D7/376
- D551,493 S \* 9/2007 Marcato ..... D7/368
- D688,104 S \* 8/2013 Muspratt-Williams
- D790,917 S \* 7/2017 Benoit ..... D7/412
- D809,853 S \* 2/2018 Zhang ..... D7/381
- D893,241 S \* 8/2020 Hua
- D906,051 S \* 12/2020 Xie ..... D7/412
- D910,374 S \* 2/2021 Bin et al.
- D915,815 S \* 4/2021 Hua ..... D7/368
- D931,040 S \* 9/2021 Zhan ..... D7/381

**OTHER PUBLICATIONS**

ANTREE 3-1 Ravioli Maker & Pasta Maker Attachment for KitchenAid Stand Mixers included Ravioli Maker. Date First Available on Amazon.com Aug. 24, 2021. <https://www.amazon.com/Attachment-KitchenAid-included-Spaghetti-Accessories/dp/B09DG25VR9/ref> (Year: 2021).\*

\* cited by examiner

*Primary Examiner* — Ricky Pham

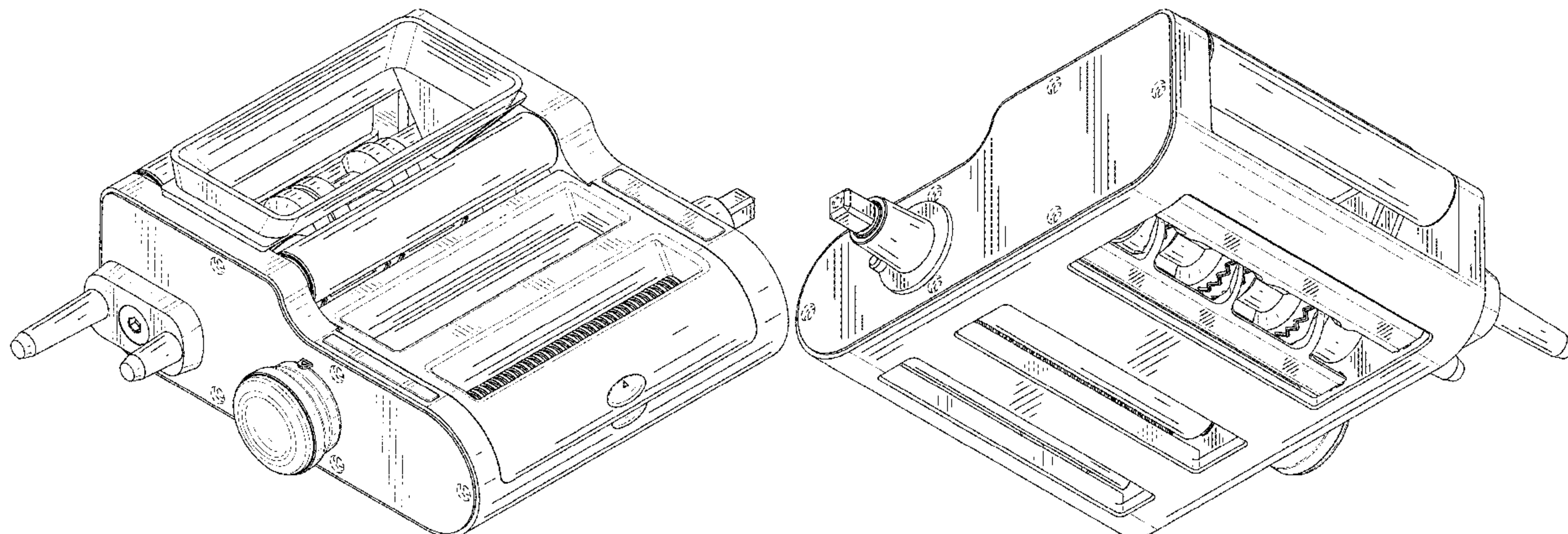
(57) **CLAIM**

The ornamental design for a spaghetti ravioli maker, as shown and described.

**DESCRIPTION**

FIG. 1 is a first perspective view of a spaghetti ravioli maker showing my new design;  
FIG. 2 is a second perspective view thereof;  
FIG. 3 is a front view thereof;  
FIG. 4 is a back view thereof;  
FIG. 5 is a left side view thereof;  
FIG. 6 is a right side view thereof;  
FIG. 7 is a top view thereof; and,  
FIG. 8 is a bottom view thereof.  
The broken lines shown in the drawings depict portions of the spaghetti ravioli maker in which the design is embodied that form no part of the claimed design.

**1 Claim, 8 Drawing Sheets**



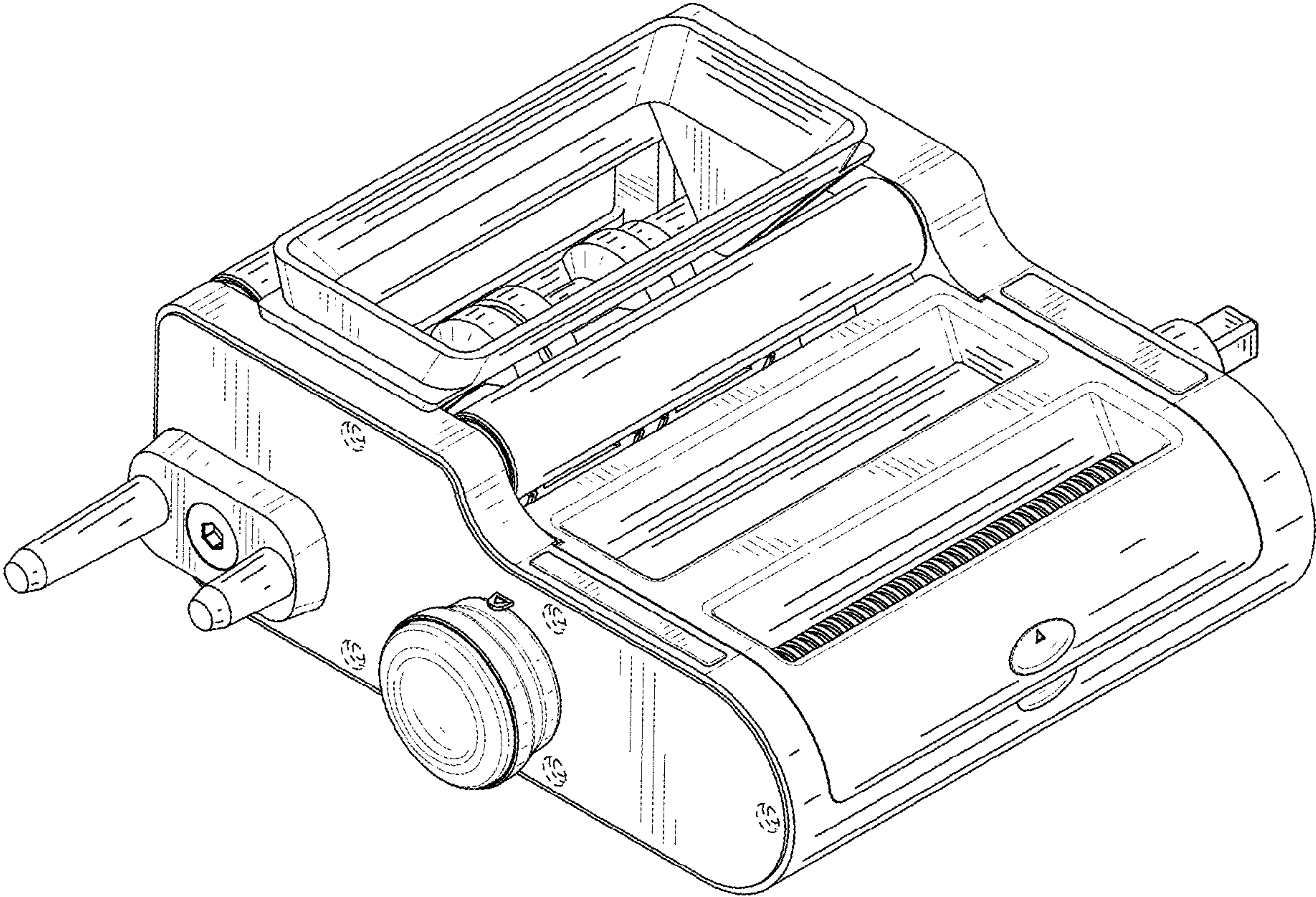


FIG. 1



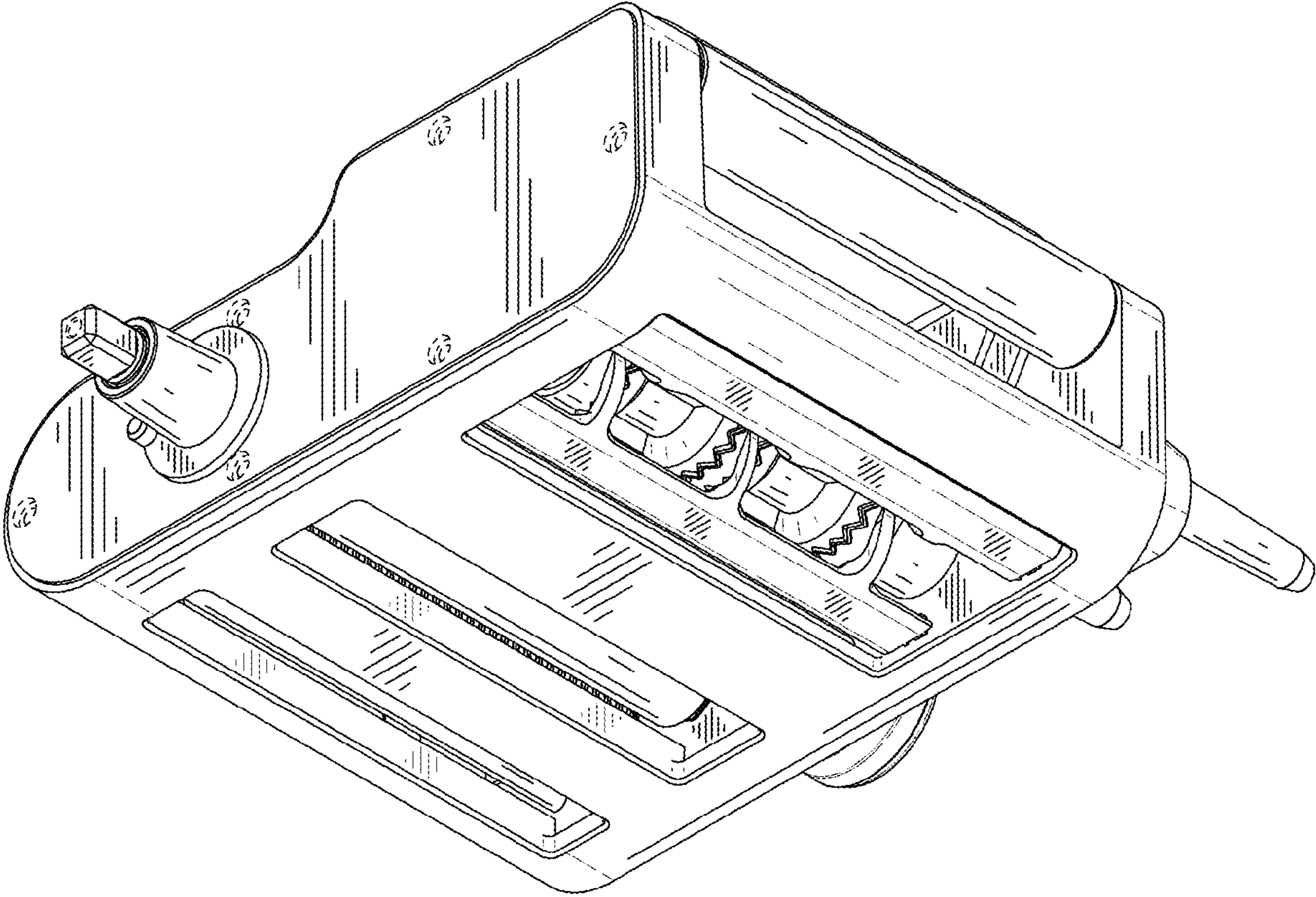


FIG. 2

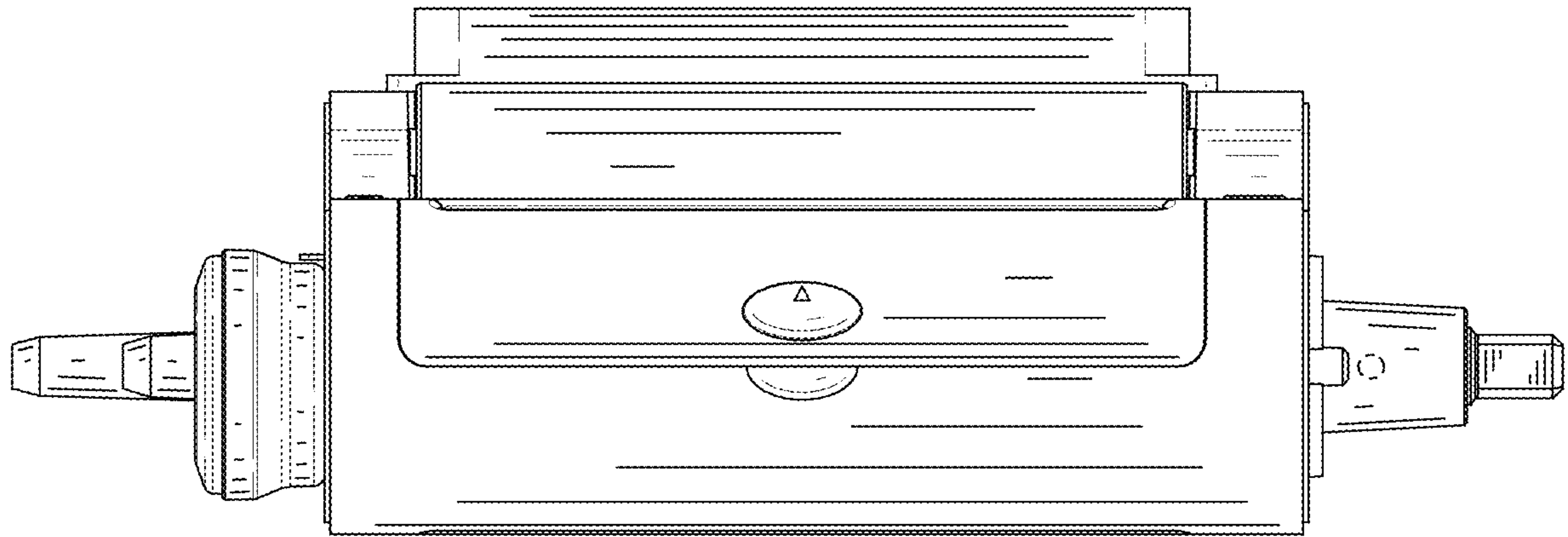


FIG. 3

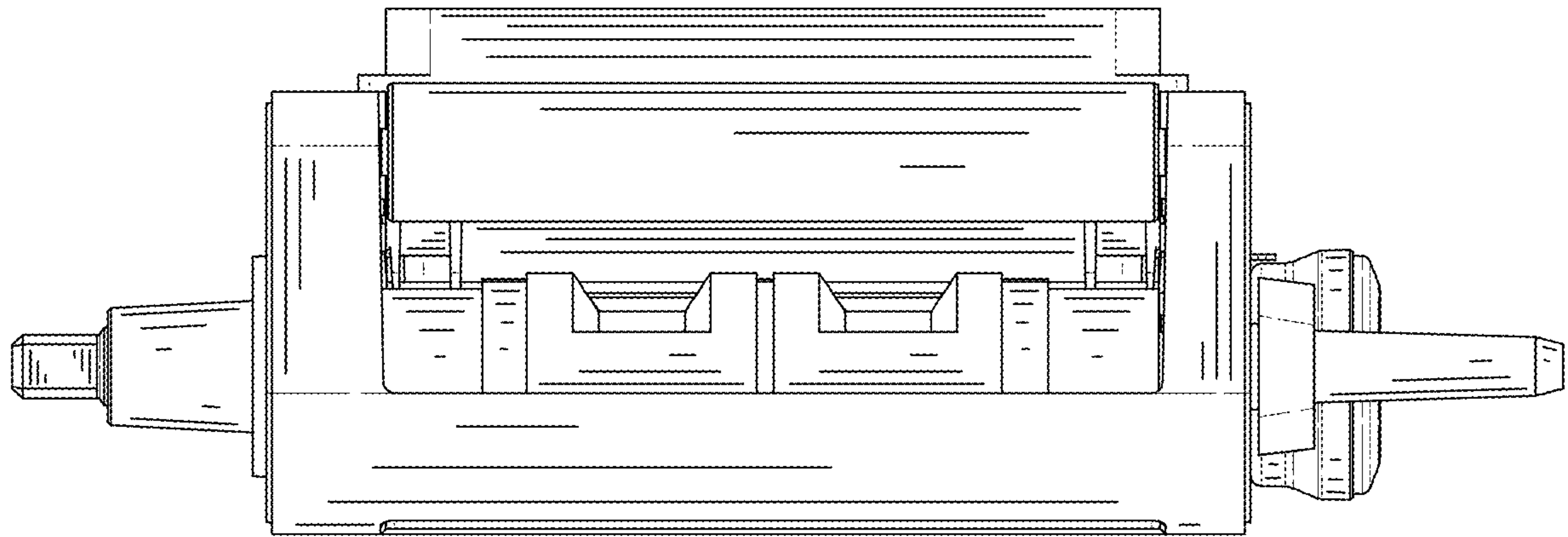


FIG. 4

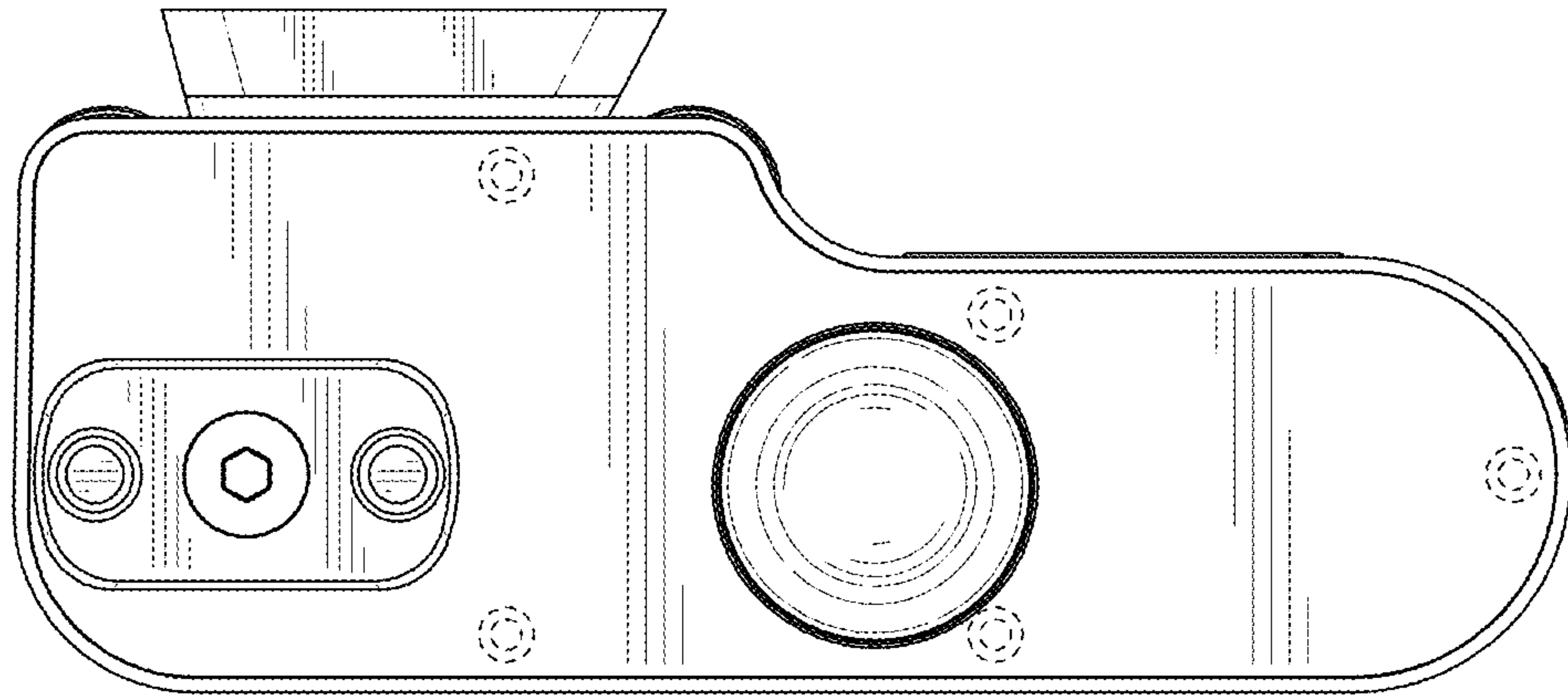


FIG. 5

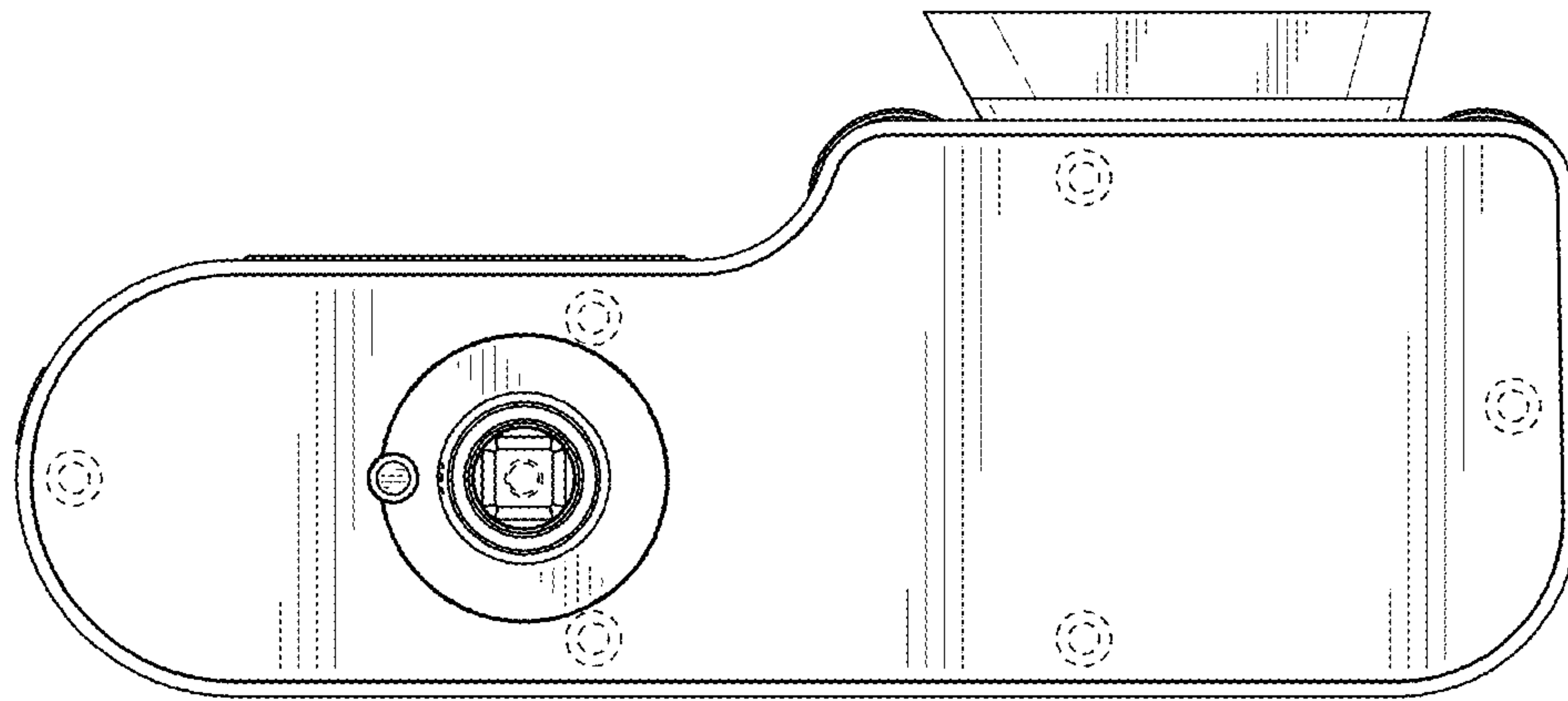


FIG. 6

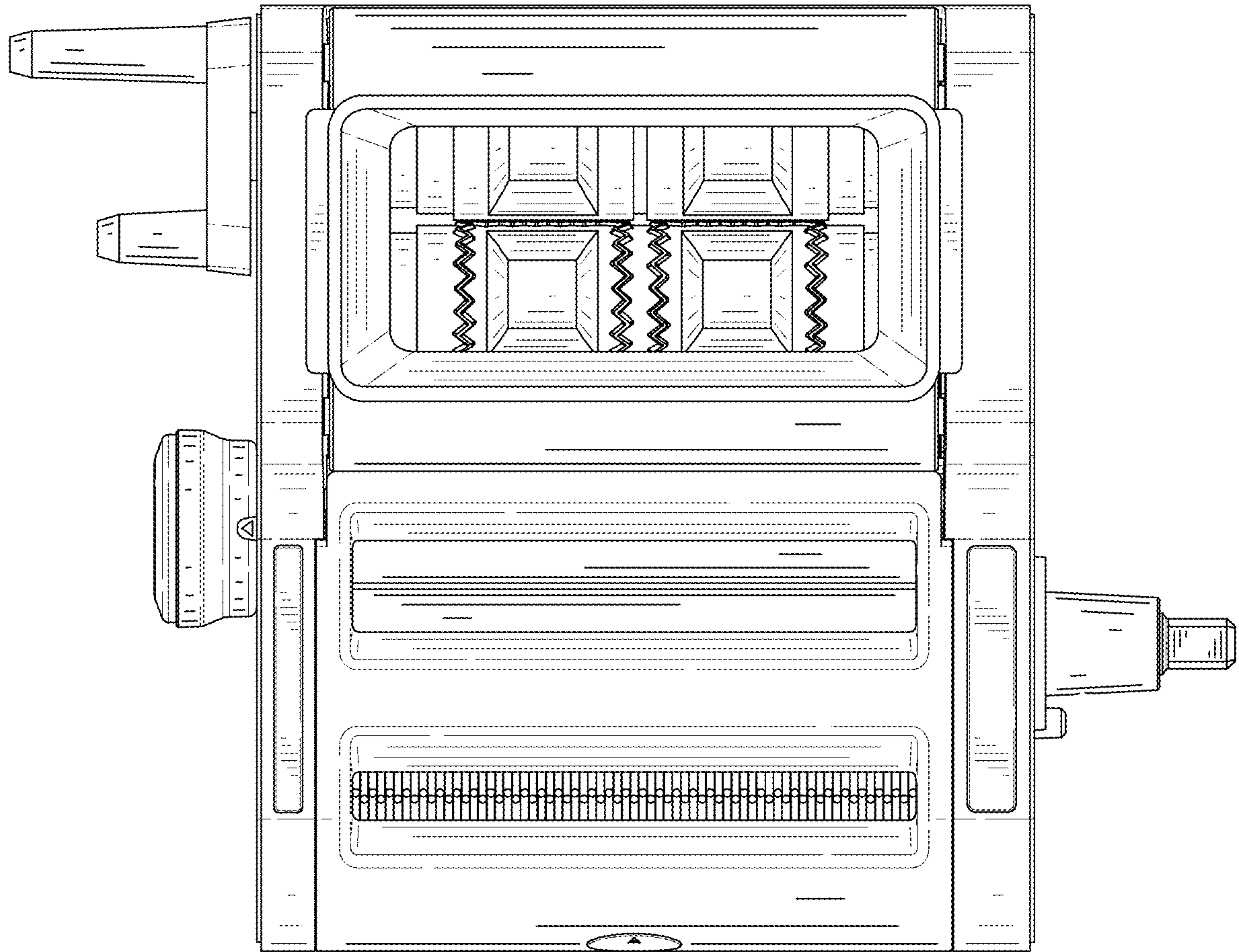


FIG. 7



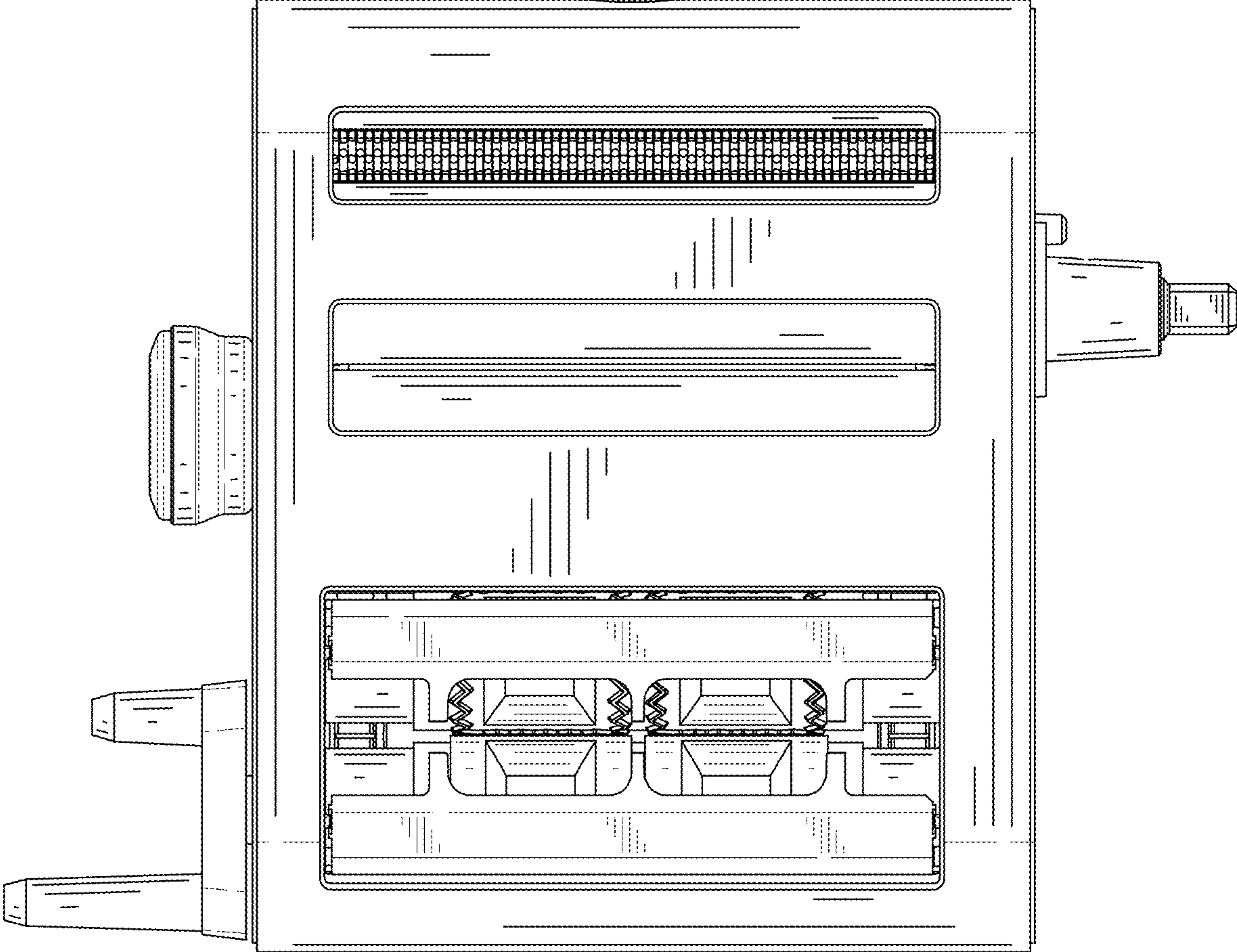


FIG. 8