



US00D945816S

(12) **United States Design Patent** (10) **Patent No.:** **US D945,816 S**  
**Weber** (45) **Date of Patent:** **\*\* Mar. 15, 2022**

(54) **COFFEE GRINDER**

OTHER PUBLICATIONS

(71) Applicant: **Strategic Exits LLC**, Incline Village, NV (US)

weberworkshops.com, Apr. 21, 2021, <https://weberworkshops.com/products/eg-1>.

(Continued)

(72) Inventor: **Douglas Weber**, Incline Village, NV (US)

*Primary Examiner* — Ricky Pham

(74) *Attorney, Agent, or Firm* — Todd R. Miller

(73) Assignee: **Strategic Exits LLC**, Incline Village, NV (US)

(57) **CLAIM**

(\*\*) Term: **15 Years**

The ornamental design for a coffee grinder, as shown and described.

(21) Appl. No.: **29/780,149**

(22) Filed: **Apr. 22, 2021**

**DESCRIPTION**

(51) **LOC (13) Cl.** ..... **31-00**

(52) **U.S. Cl.**  
USPC ..... **D7/373**

(58) **Field of Classification Search**  
USPC ..... D7/309, 372, 373, 376–386, 412–413,  
D7/602, 629, 665–666, 669, 673, 679,  
D7/693–694

CPC .... A21C 1/02; A21C 1/04; A23N 1/00; A23N  
1/02; A23N 4/12; A47J 36/02; A47J  
43/04; A47J 43/25; A47J 43/27; A47J  
43/042; A47J 43/044; A47J 43/046; A47J  
43/075; A47J 43/0722; A47J 43/0727;  
B01F 3/00; B01F 3/0807; B01F 3/0853;  
B01F 13/0059;

(Continued)

(56) **References Cited**

U.S. PATENT DOCUMENTS

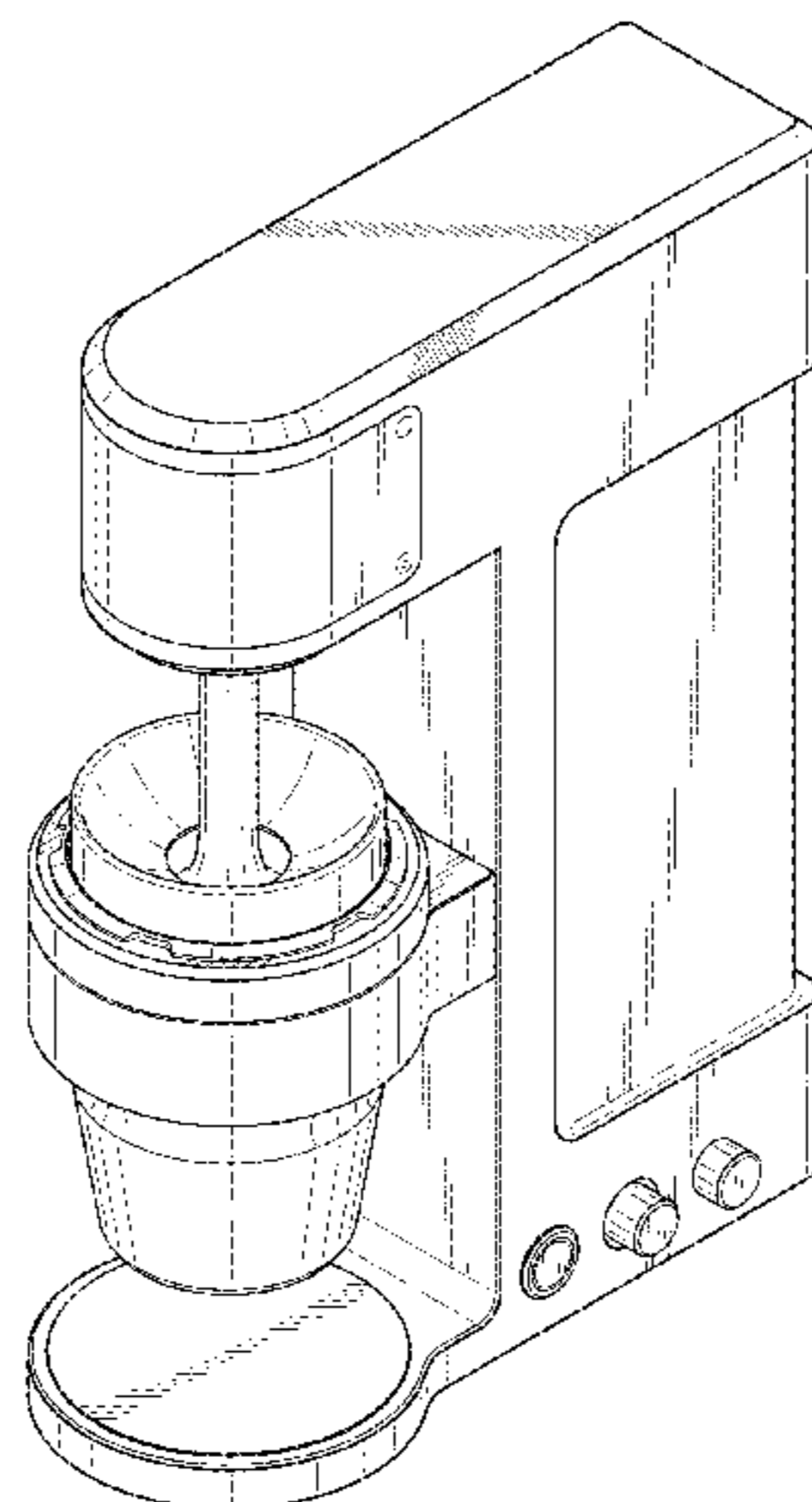
D113,738 S 5/1938 Hand  
D300,295 S 3/1989 Cortese  
(Continued)

FOREIGN PATENT DOCUMENTS

AU 2016203881 6/2016

(Continued)

FIG. 1 is a perspective view embodying an embodiment of the inventive design;  
FIG. 2 is a front view thereof;  
FIG. 3 is a rear view thereof;  
FIG. 4 is a right side view thereof;  
FIG. 5 is a left side view thereof;  
FIG. 6 is a top view thereof;  
FIG. 7 is a bottom view thereof;  
FIG. 8 is a perspective view of a second embodiment of the inventive design, showing the lower container exploded for completeness of disclosure;  
FIG. 9 is a front view thereof;  
FIG. 10 is a rear view thereof;  
FIG. 11 is a right side view thereof;  
FIG. 12 is a left side view thereof;  
FIG. 13 is a top view thereof;  
FIG. 14 is a bottom view thereof;  
FIG. 15 is a perspective view of a third embodiment of the inventive design, showing the lower container exploded for completeness of disclosure;  
FIG. 16 is a front view thereof;  
FIG. 17 is a rear view thereof;  
FIG. 18 is a right side view thereof;  
FIG. 19 is a left side view thereof;  
FIG. 20 is a top view thereof; and,  
FIG. 21 is a bottom view thereof.



The broken lines in the figures are shown for illustrative purposes only and form no part of the claimed design.

**1 Claim, 18 Drawing Sheets**

**(58) Field of Classification Search**

CPC ..... B01F 13/0064; B02C 1/08; B02C 2/04;  
 B02C 4/42; B02C 4/142; B02C 4/143;  
 B02C 4/423; B02C 13/1835; B28C 5/10;  
 B28C 5/12; B28C 5/14; B28C 5/16  
 See application file for complete search history.

**(56) References Cited**

U.S. PATENT DOCUMENTS

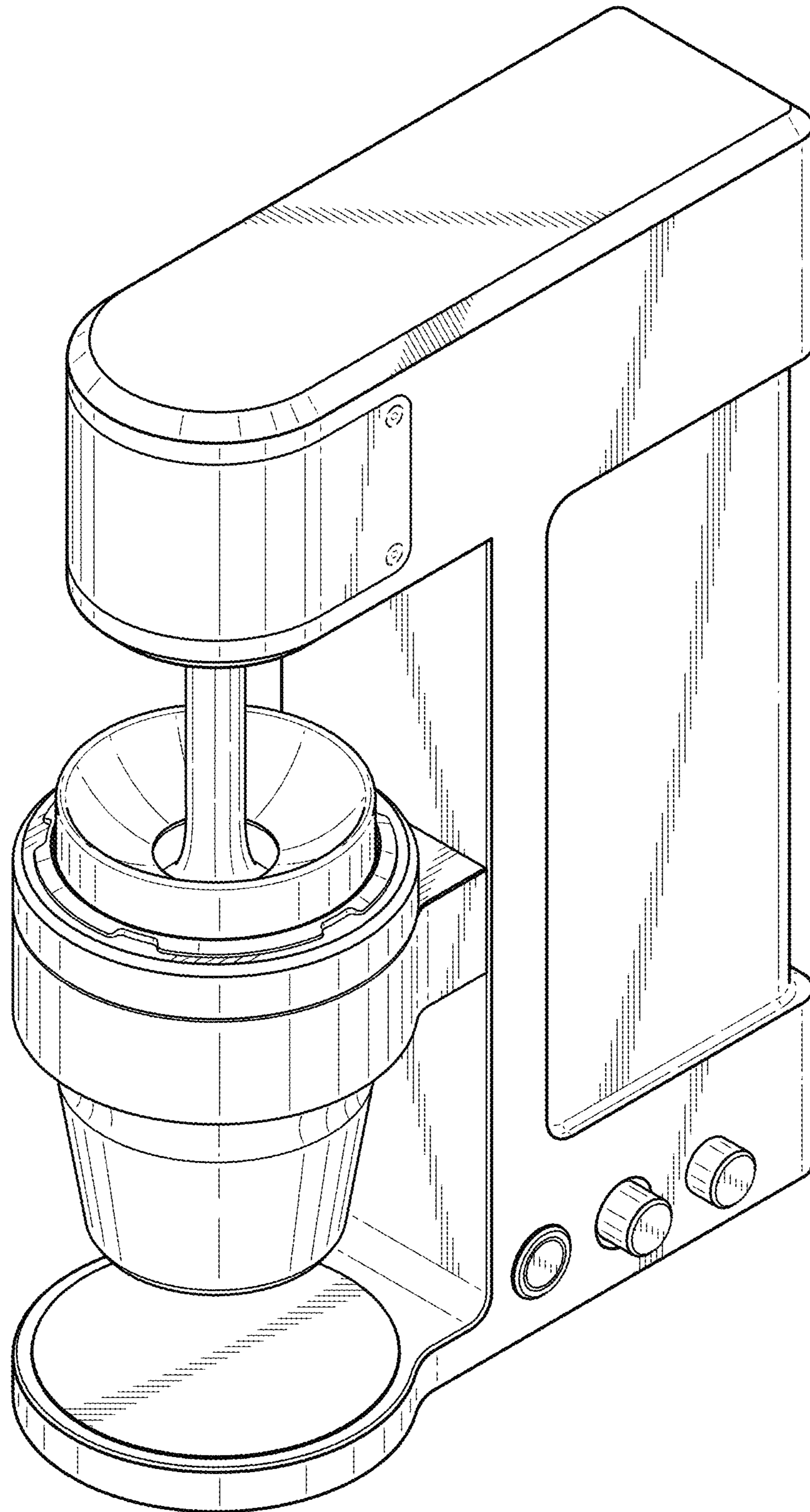
|           |    |   |         |            |       |        |
|-----------|----|---|---------|------------|-------|--------|
| D309,843  | S  | * | 8/1990  | Reichmann  | ..... | D7/309 |
| D318,595  | S  |   | 7/1991  | Retzlaff   |       |        |
| D370,837  | S  | * | 6/1996  | Lee        | ..... | D7/666 |
| D389,010  | S  |   | 1/1998  | Joergensen |       |        |
| D422,184  | S  | * | 4/2000  | Kao        | ..... | D7/666 |
| 6,377,022 | B1 |   | 4/2002  | Rhoads     |       |        |
| D502,841  | S  | * | 3/2005  | Santer     | ..... | D7/309 |
| D508,384  | S  | * | 8/2005  | Lee        | ..... | D7/673 |
| 6,966,507 | B2 |   | 11/2005 | Yang       |       |        |
| D530,146  | S  | * | 10/2006 | Ball       | ..... | D7/379 |

|              |    |   |         |                |       |                      |
|--------------|----|---|---------|----------------|-------|----------------------|
| 7,464,888    | B2 |   | 12/2008 | Maylkke        |       |                      |
| 7,604,191    | B2 |   | 10/2009 | Pai            |       |                      |
| D631,691     | S  | * | 2/2011  | Liu            | ..... | D7/379               |
| D634,155     | S  |   | 3/2011  | Duncan         |       |                      |
| D677,520     | S  | * | 3/2013  | Choi           | ..... | D7/379               |
| 8,534,579    | B2 |   | 9/2013  | Carapelli      |       |                      |
| D700,006     | S  |   | 2/2014  | Braune         |       |                      |
| D718,564     | S  |   | 12/2014 | Ragot          |       |                      |
| 8,960,077    | B2 |   | 2/2015  | Dogliani Major |       |                      |
| D755,581     | S  | * | 5/2016  | Garman         | ..... | D7/666               |
| D756,700     | S  |   | 5/2016  | Warman         |       |                      |
| 9,364,019    | B2 | * | 6/2016  | Healy          | ..... | A23N 4/12            |
| 9,427,110    | B2 |   | 8/2016  | Hoare          |       |                      |
| 9,578,989    | B2 |   | 2/2017  | Laegdsgaard    |       |                      |
| D839,659     | S  |   | 2/2019  | Cometti        |       |                      |
| D859,911     | S  | * | 9/2019  | Steiner        | ..... | D7/379               |
| D900,530     | S  |   | 11/2020 | Kim            |       |                      |
| 10,912,418   | B2 |   | 2/2021  | Zernhelt       |       |                      |
| D935,832     | S  | * | 11/2021 | Weber          | ..... | D7/373               |
| 2011/0186668 | A1 | * | 8/2011  | Seidler        | ..... | A47J 36/02<br>241/98 |
| 2018/0303288 | A1 |   | 10/2018 | Mazzer         |       |                      |

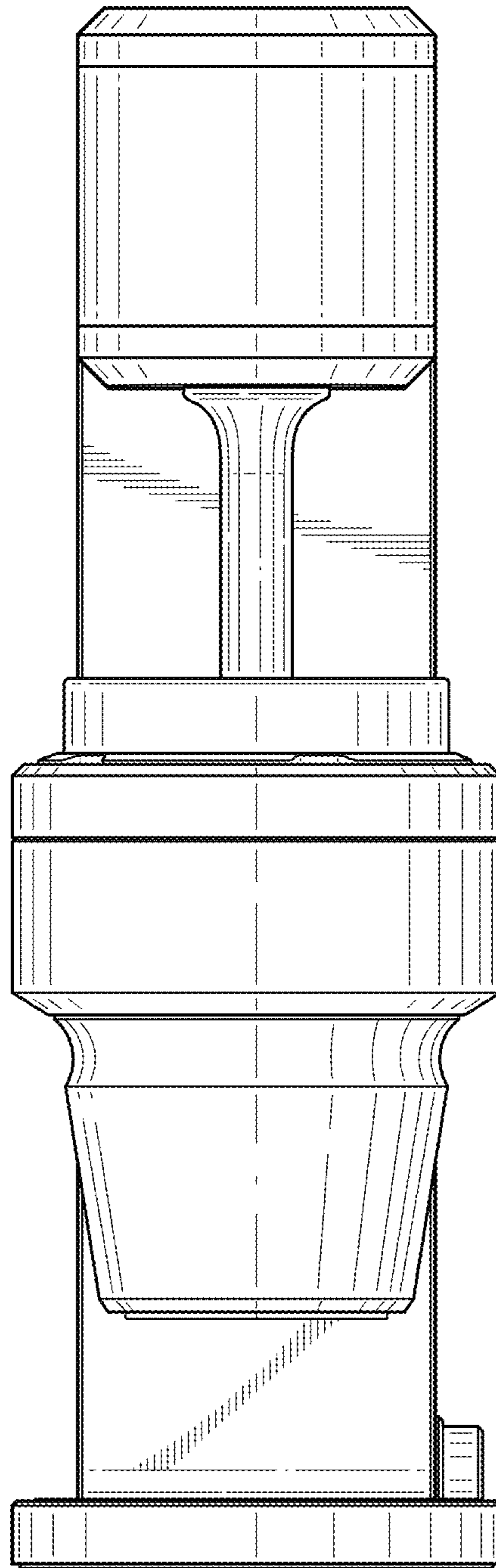
OTHER PUBLICATIONS

weberworkshops.com, Apr. 22, 2021, <https://weberworkshops.com/products/hg-1>.

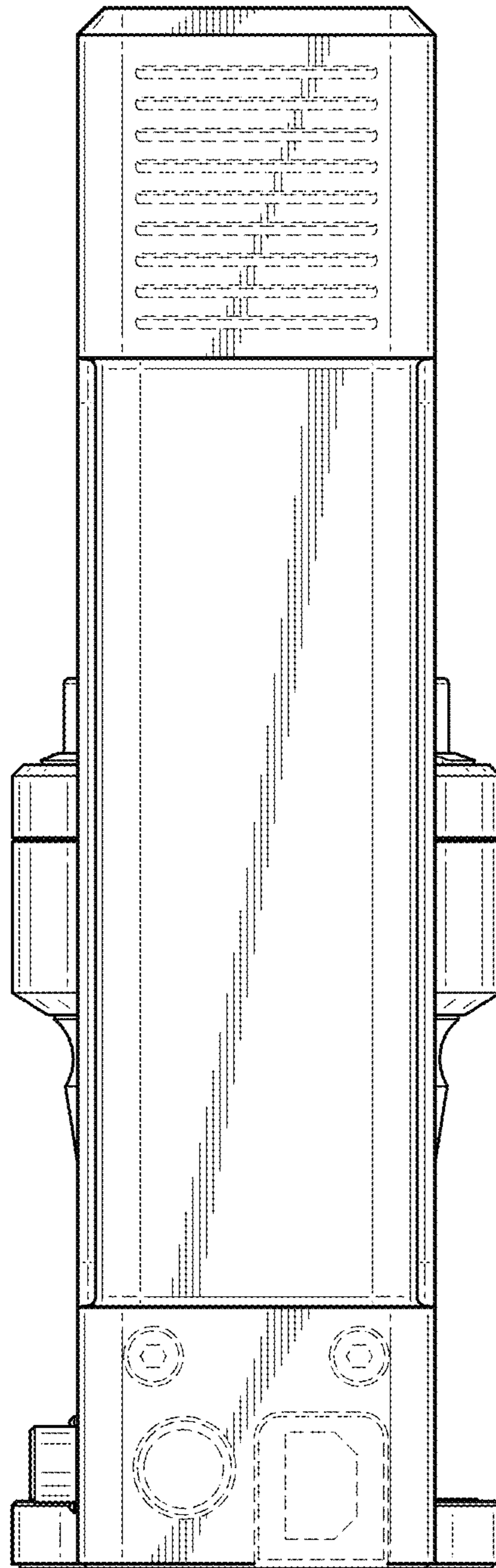
\* cited by examiner



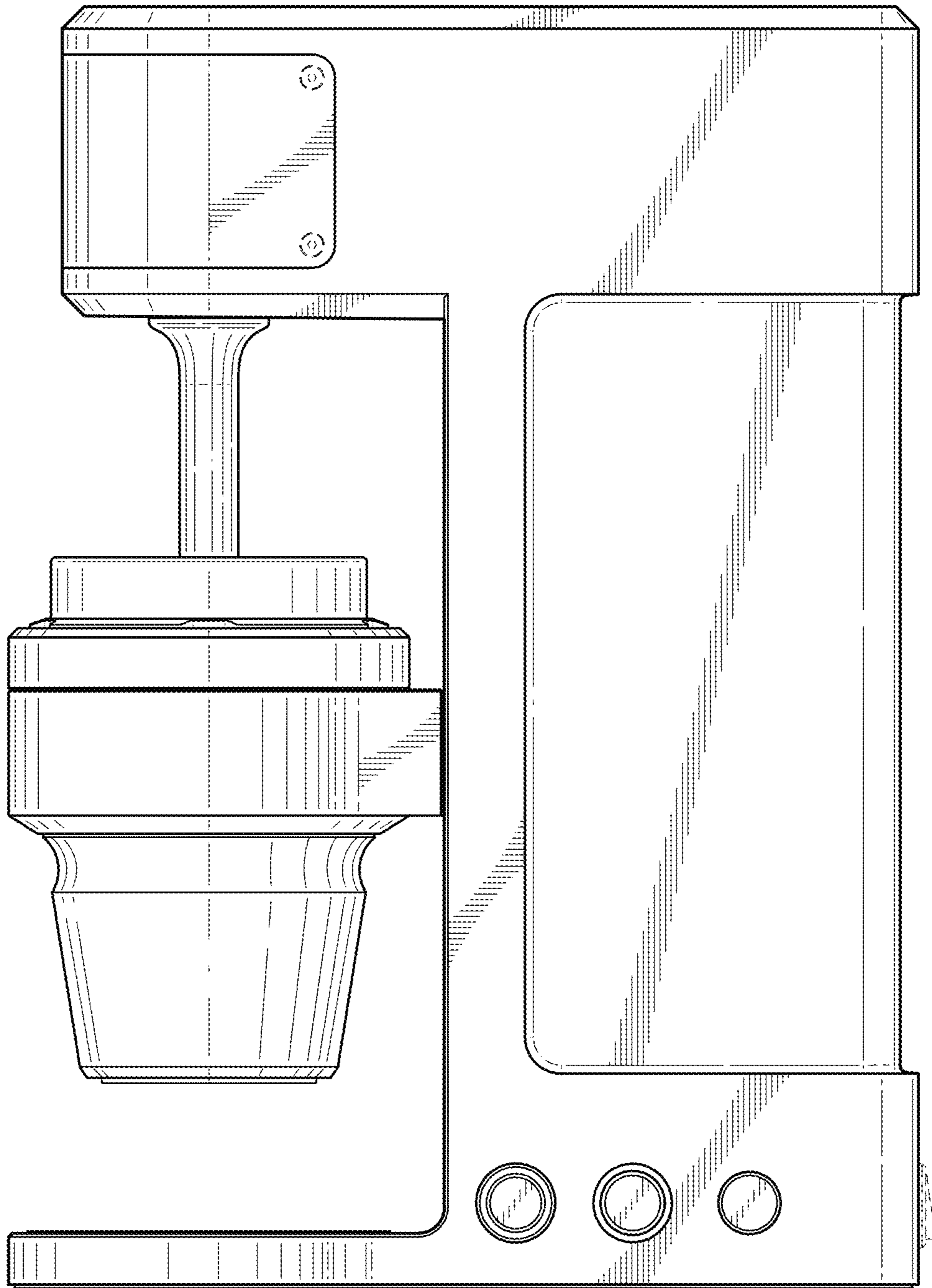
**FIG. 1**



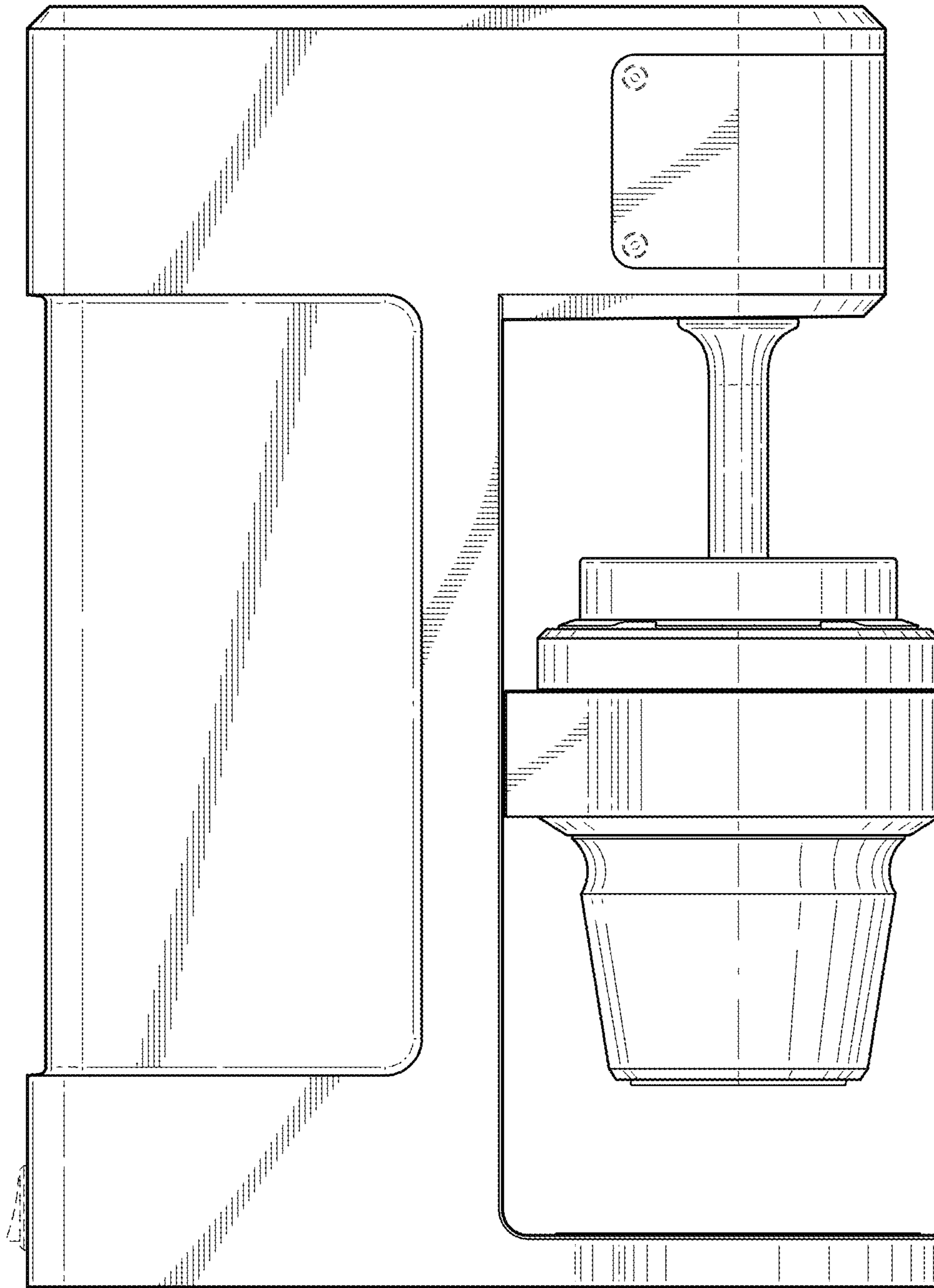
**FIG. 2**



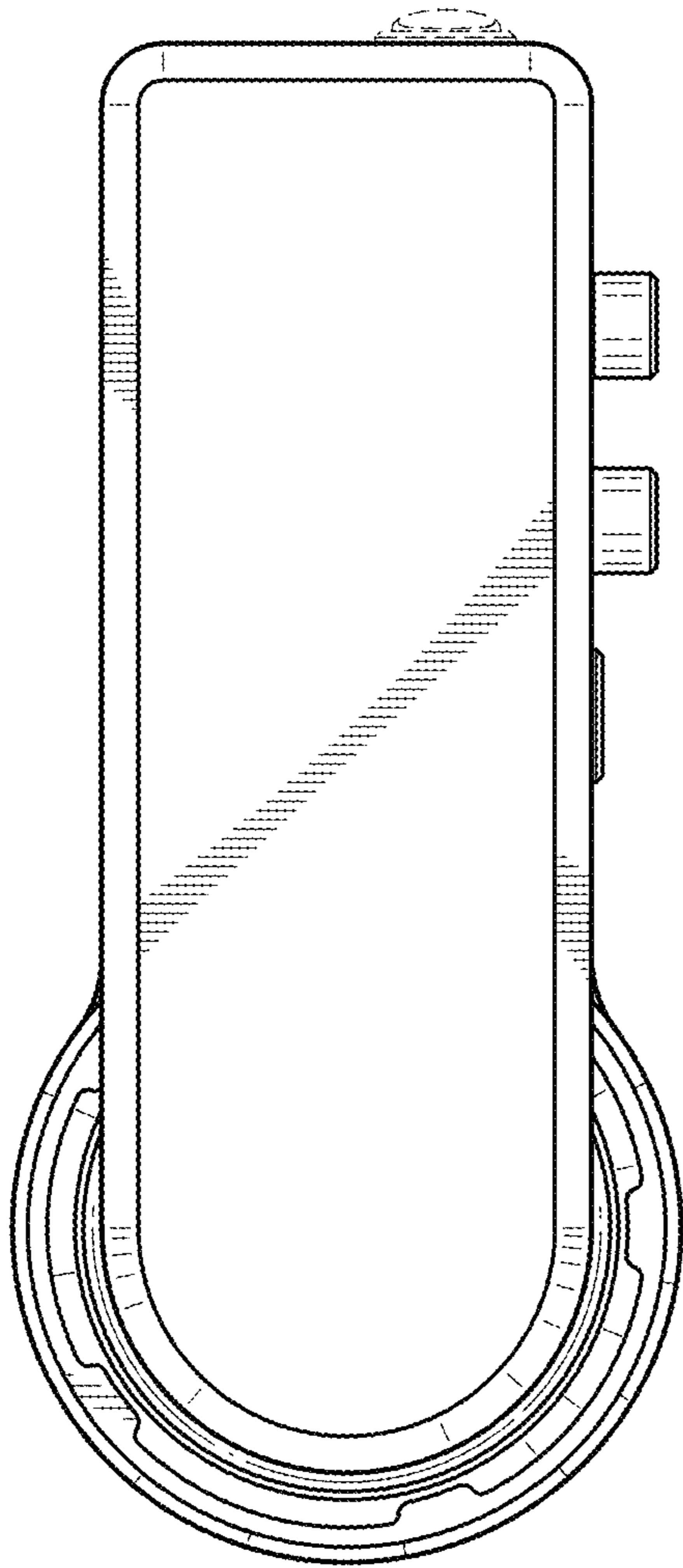
**FIG. 3**



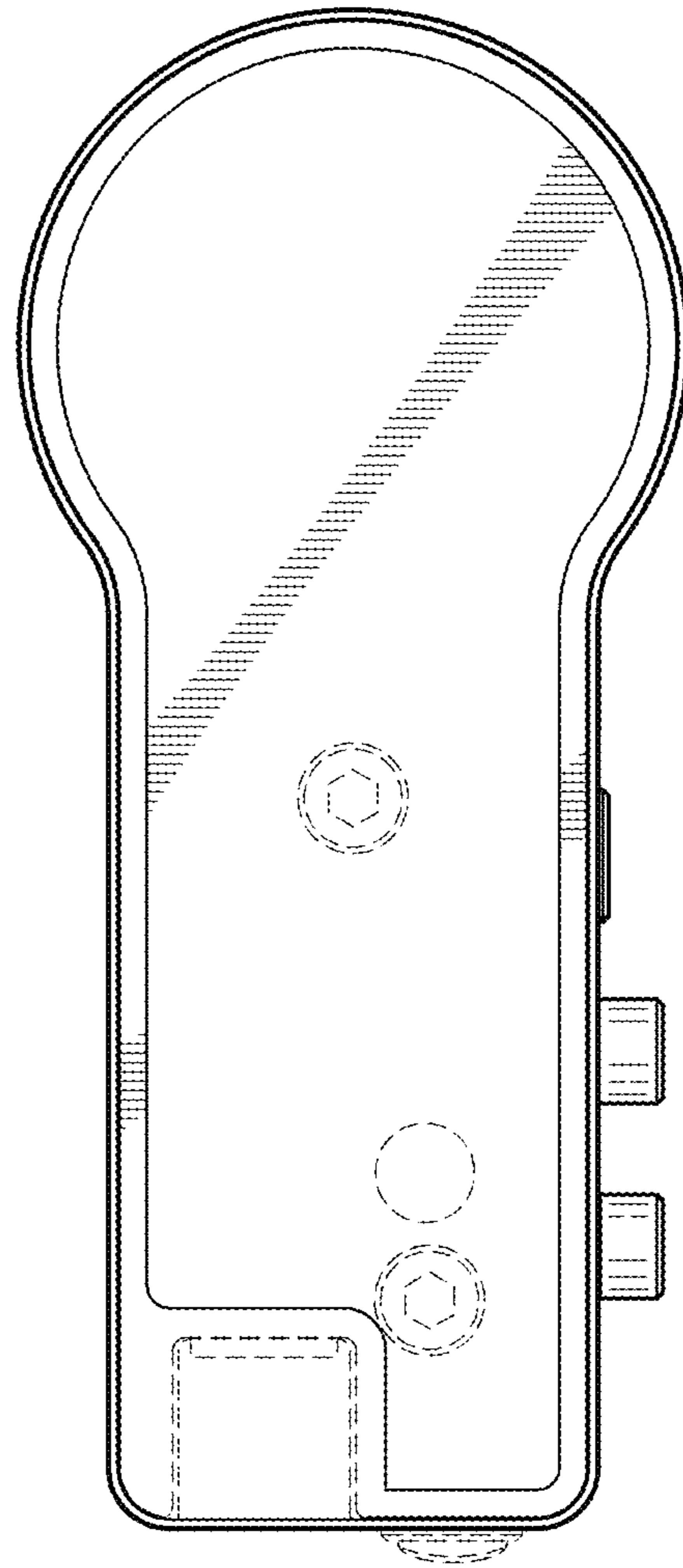
**FIG. 4**



**FIG. 5**

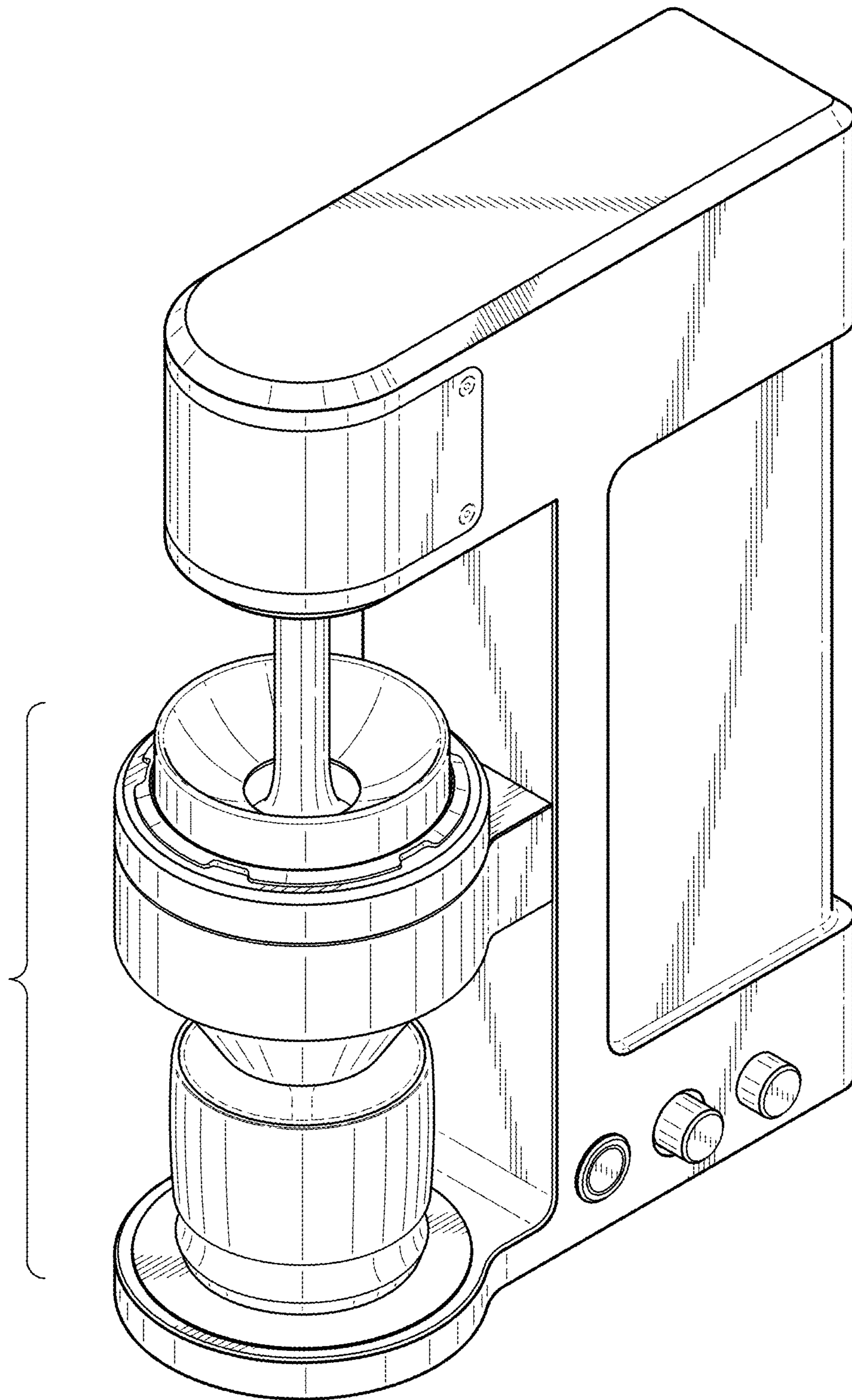


**FIG. 6**

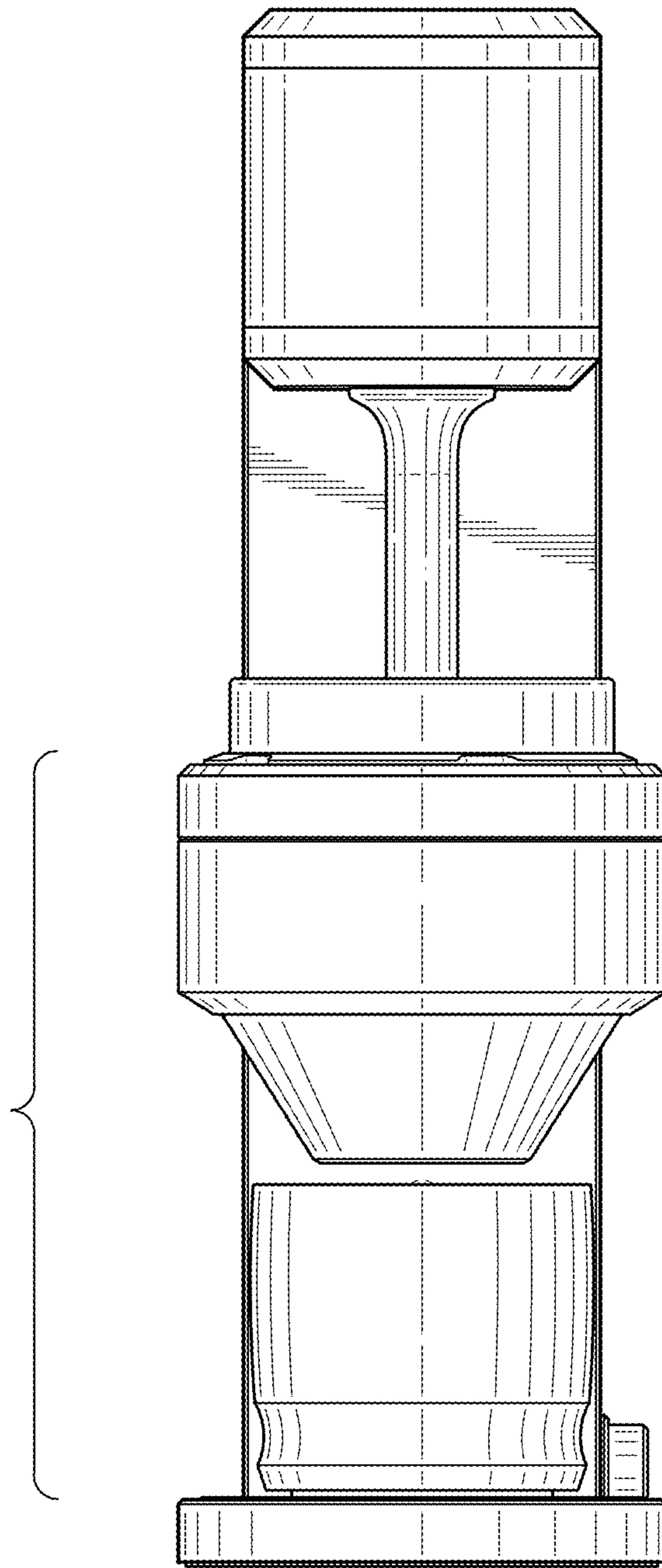


**FIG. 7**

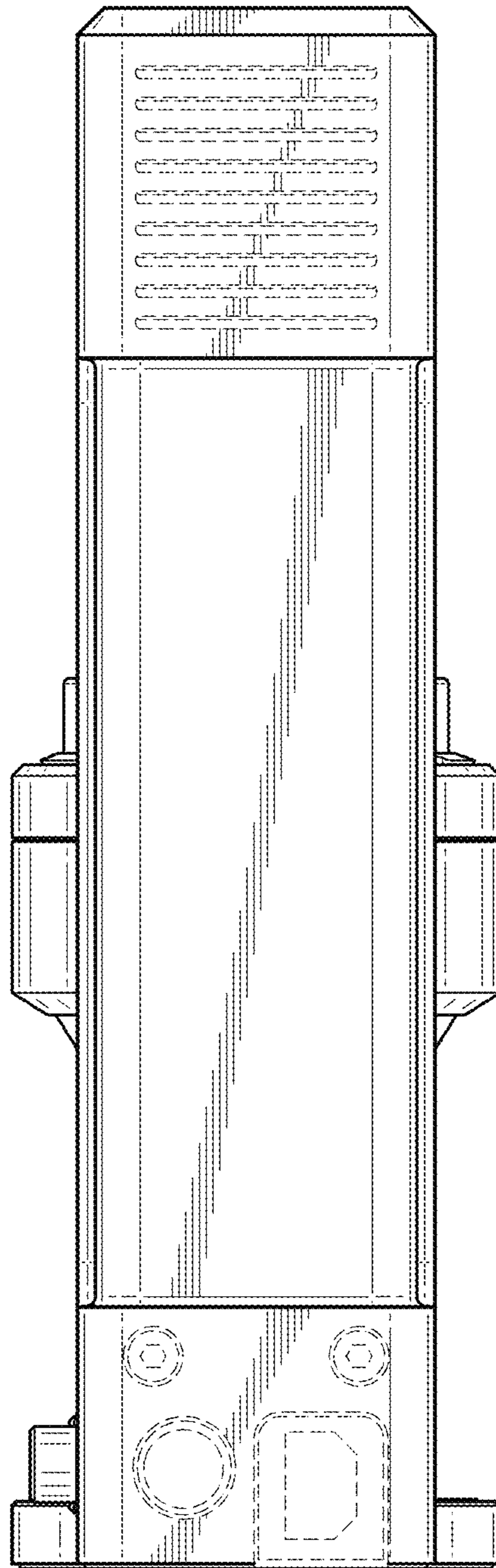




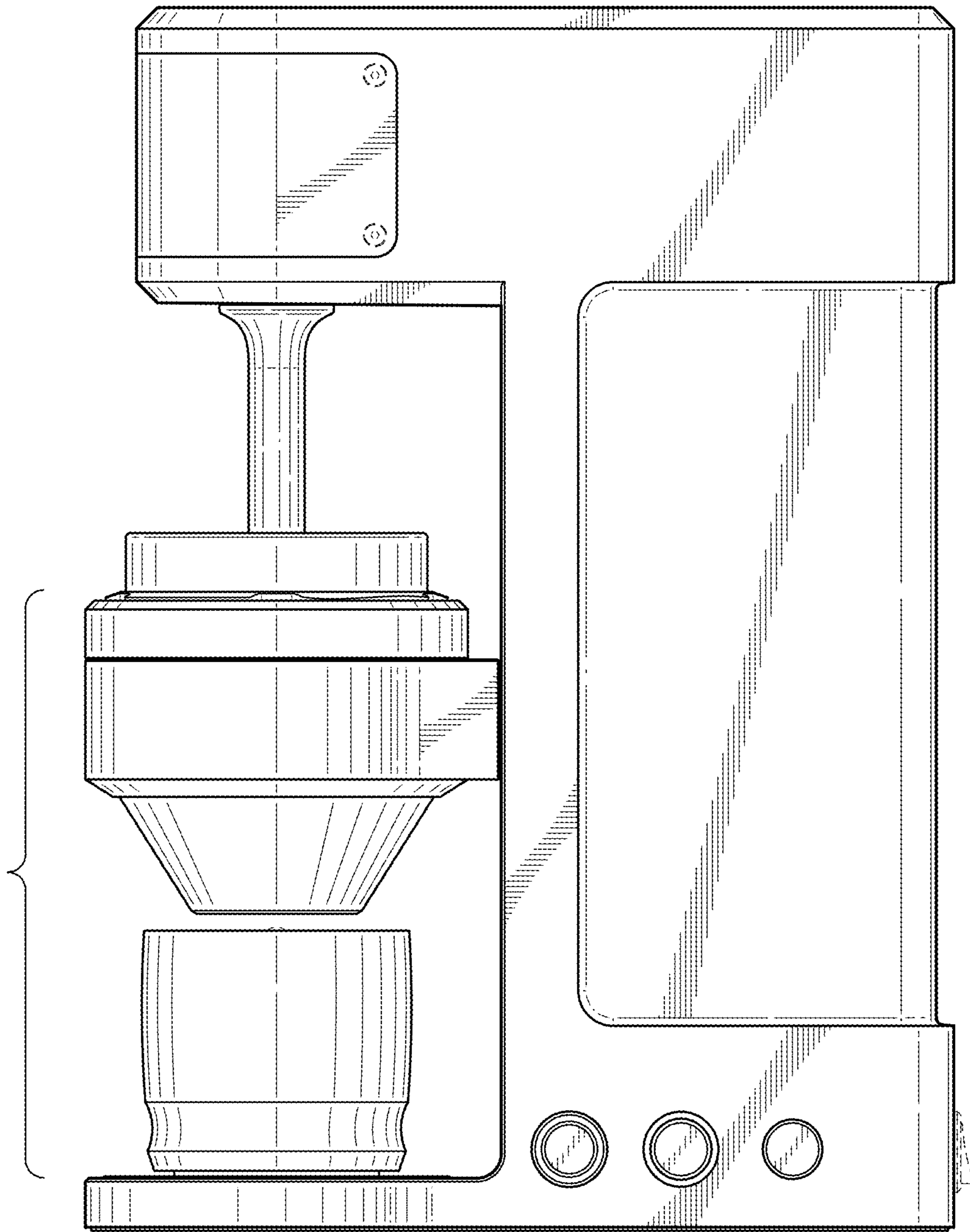
**FIG. 8**



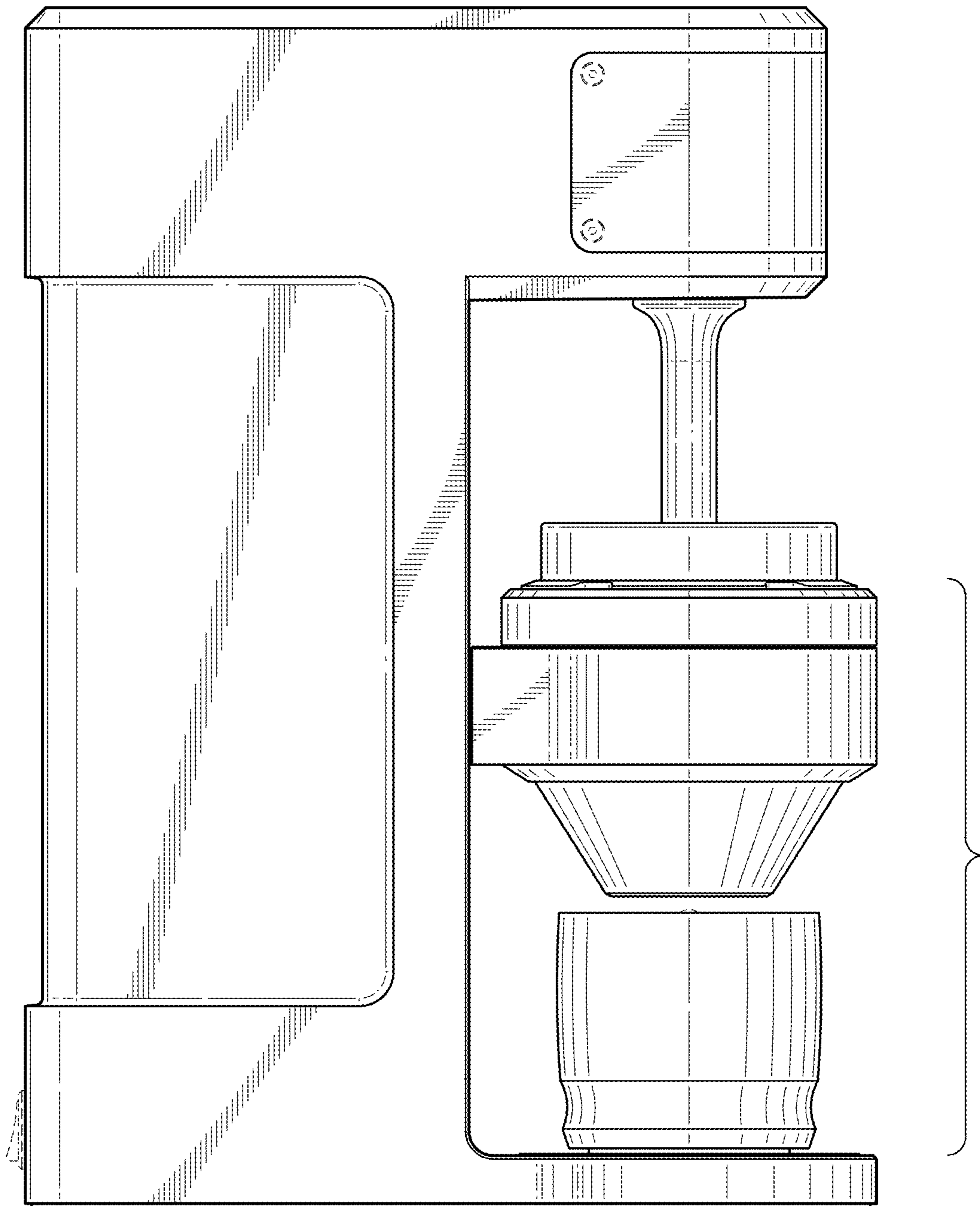
**FIG. 9**



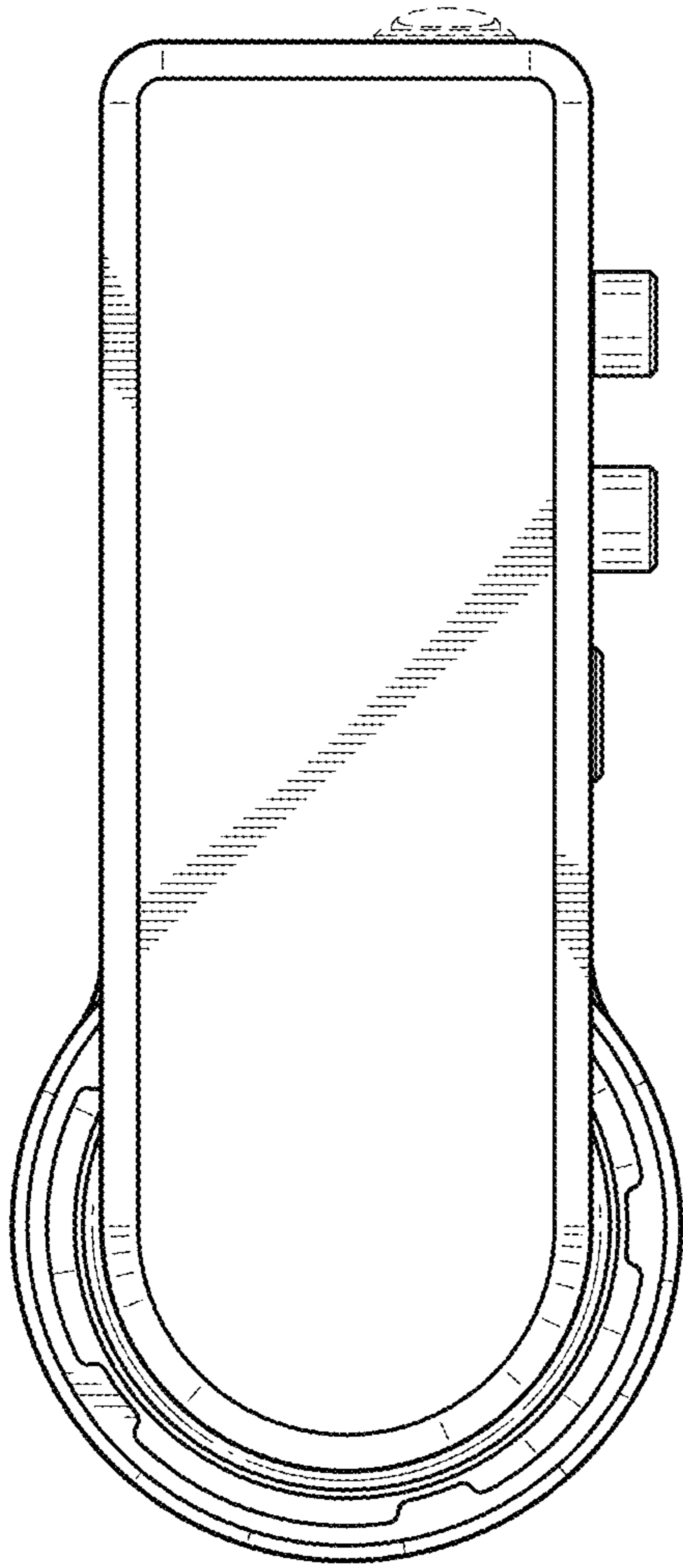
**FIG. 10**



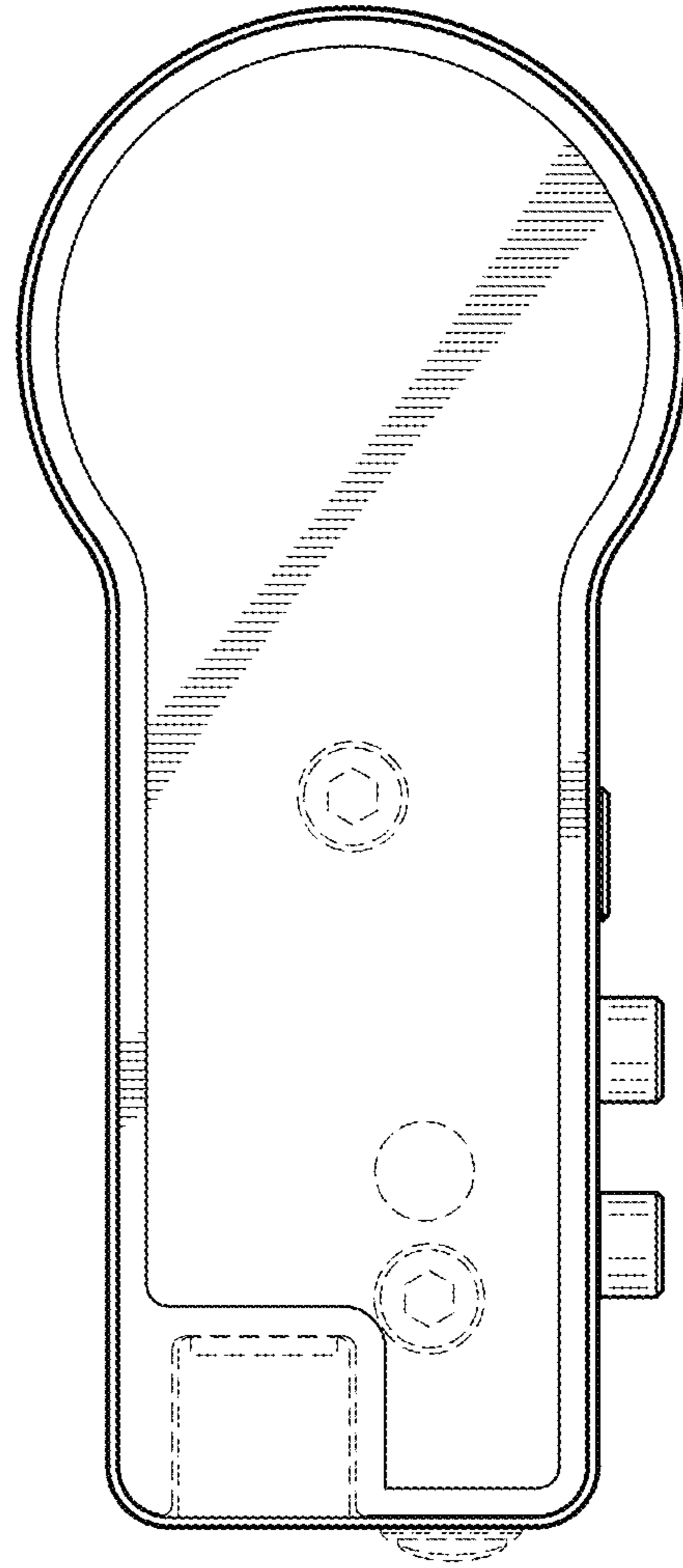
**FIG. 11**



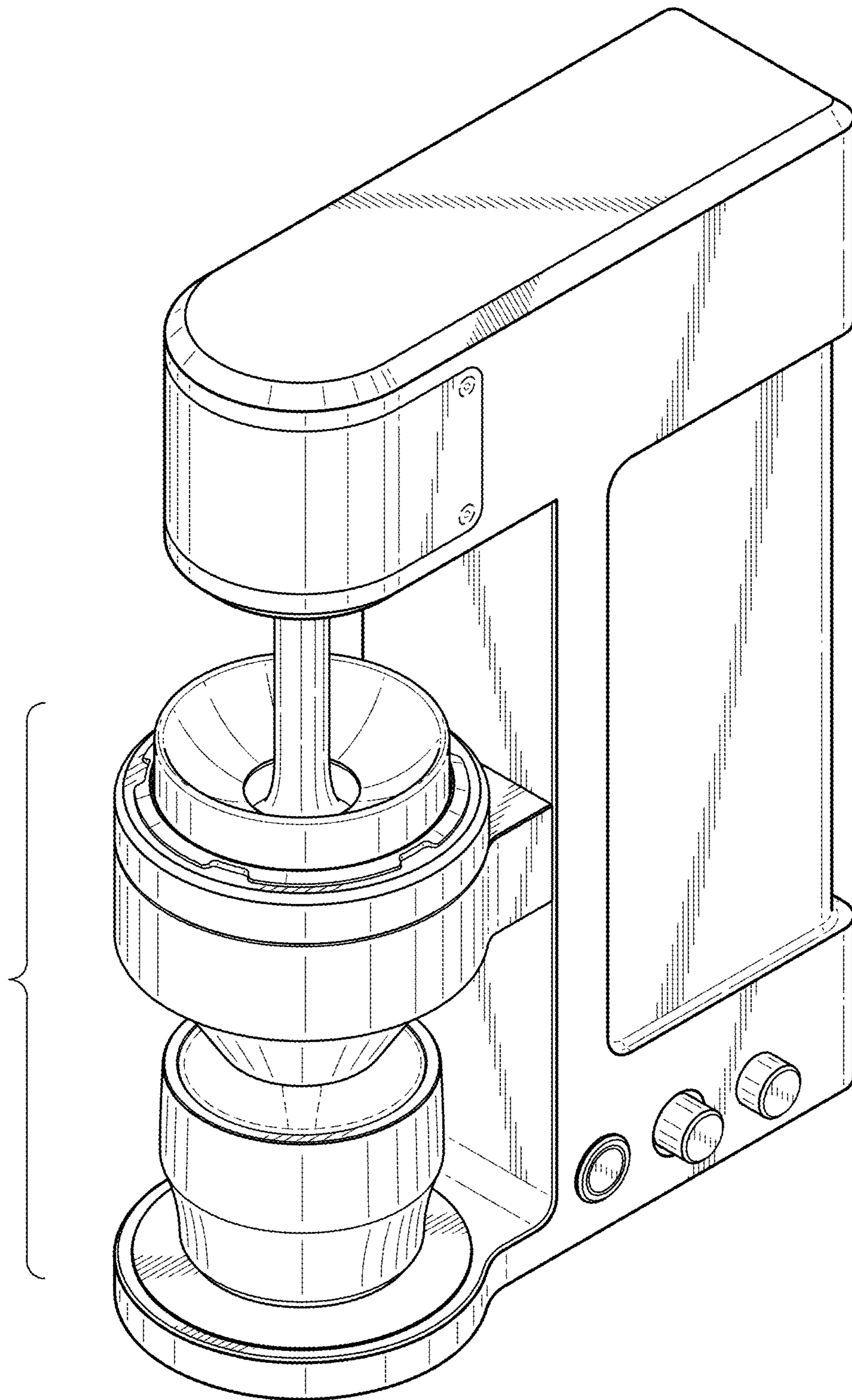
**FIG. 12**



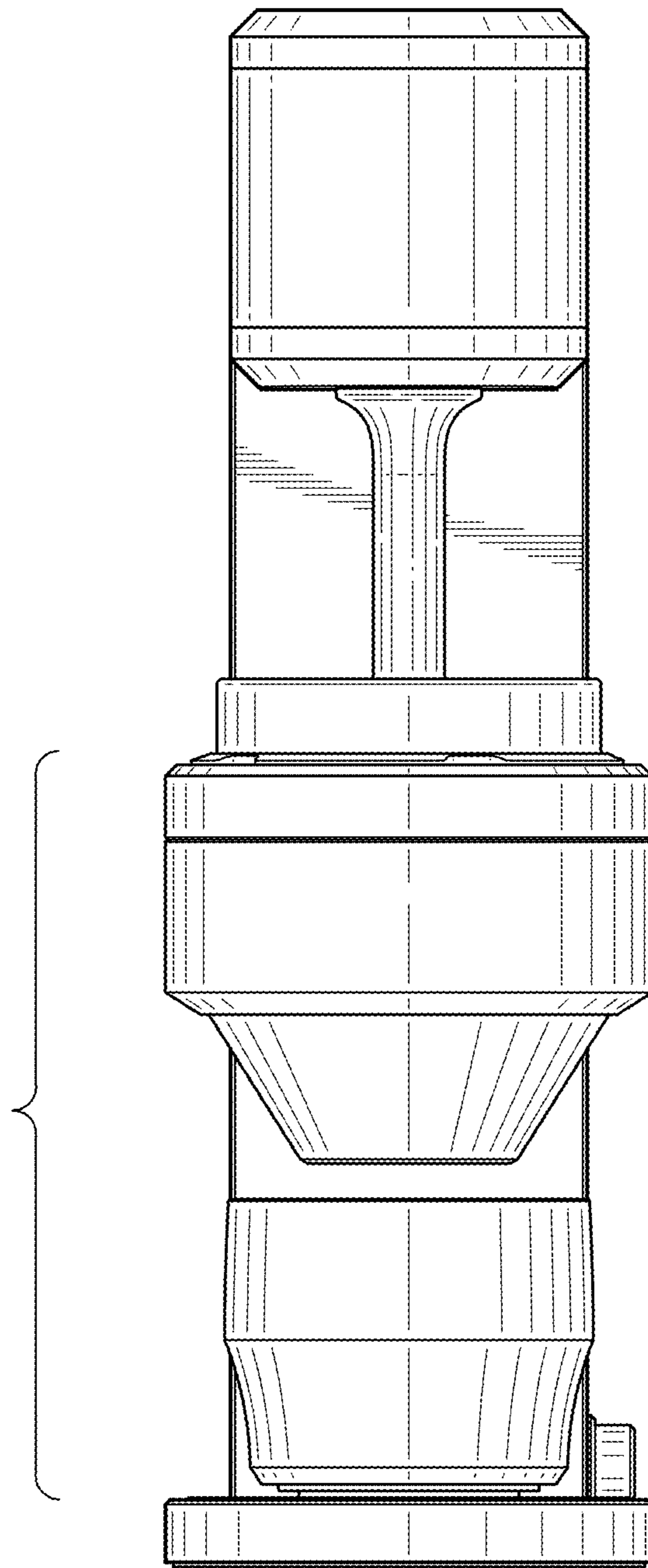
**FIG. 13**



**FIG. 14**

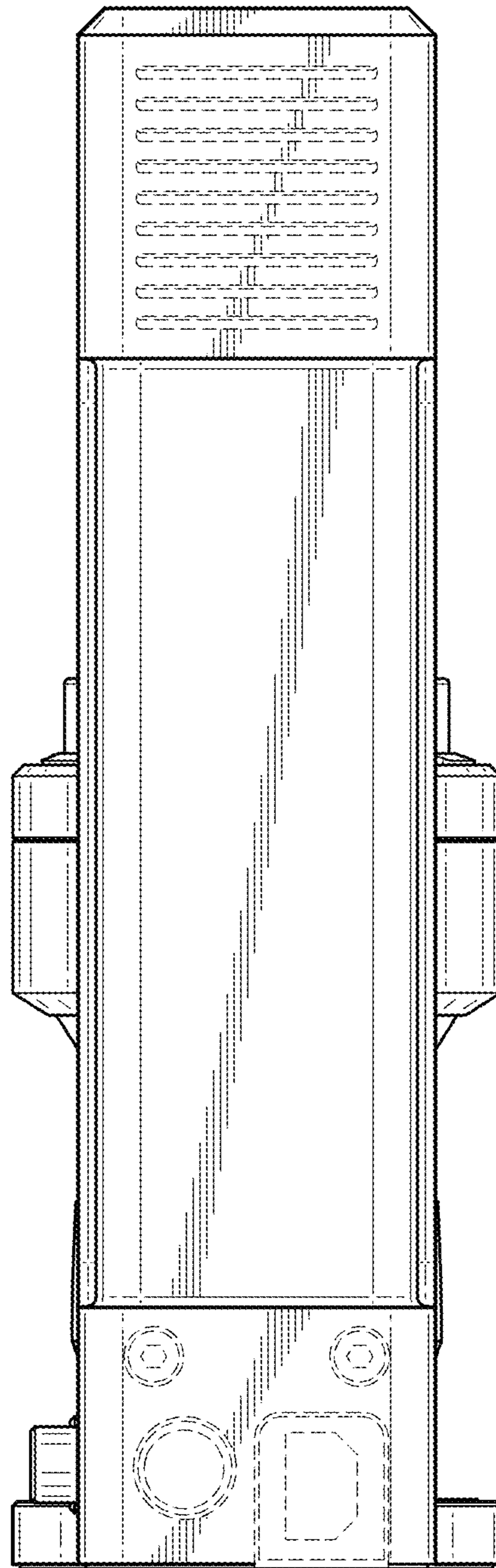


**FIG. 15**

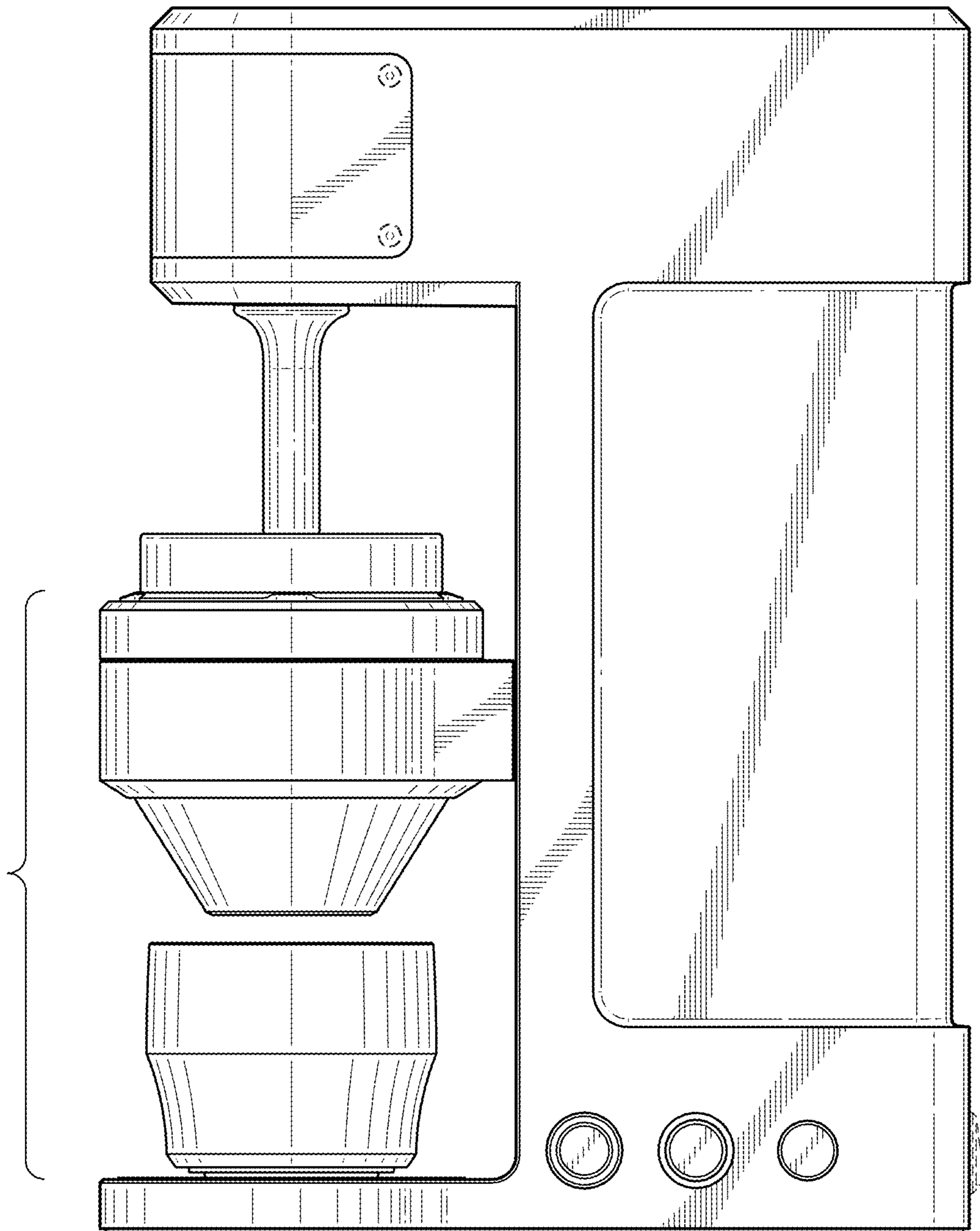


**FIG. 16**

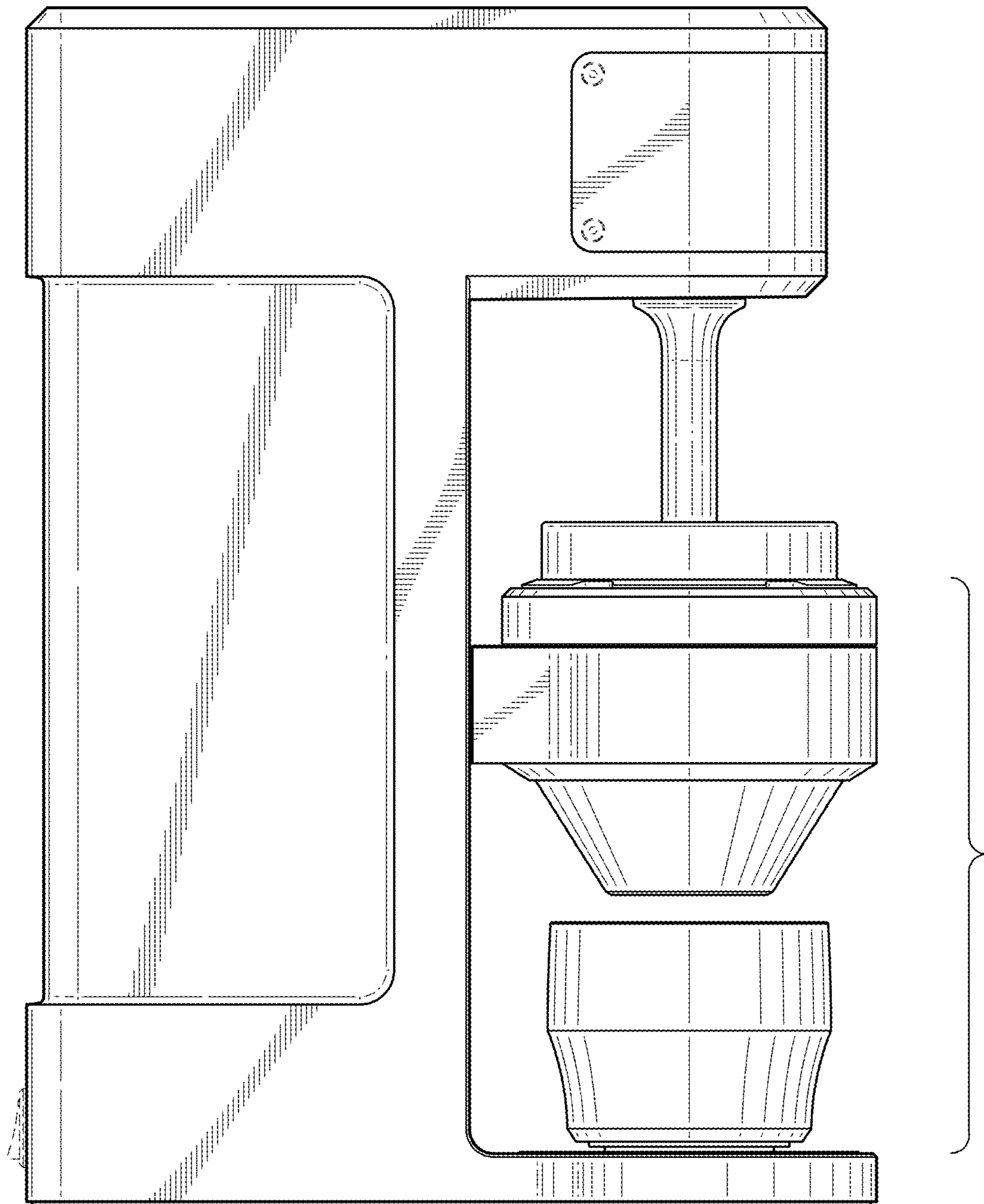




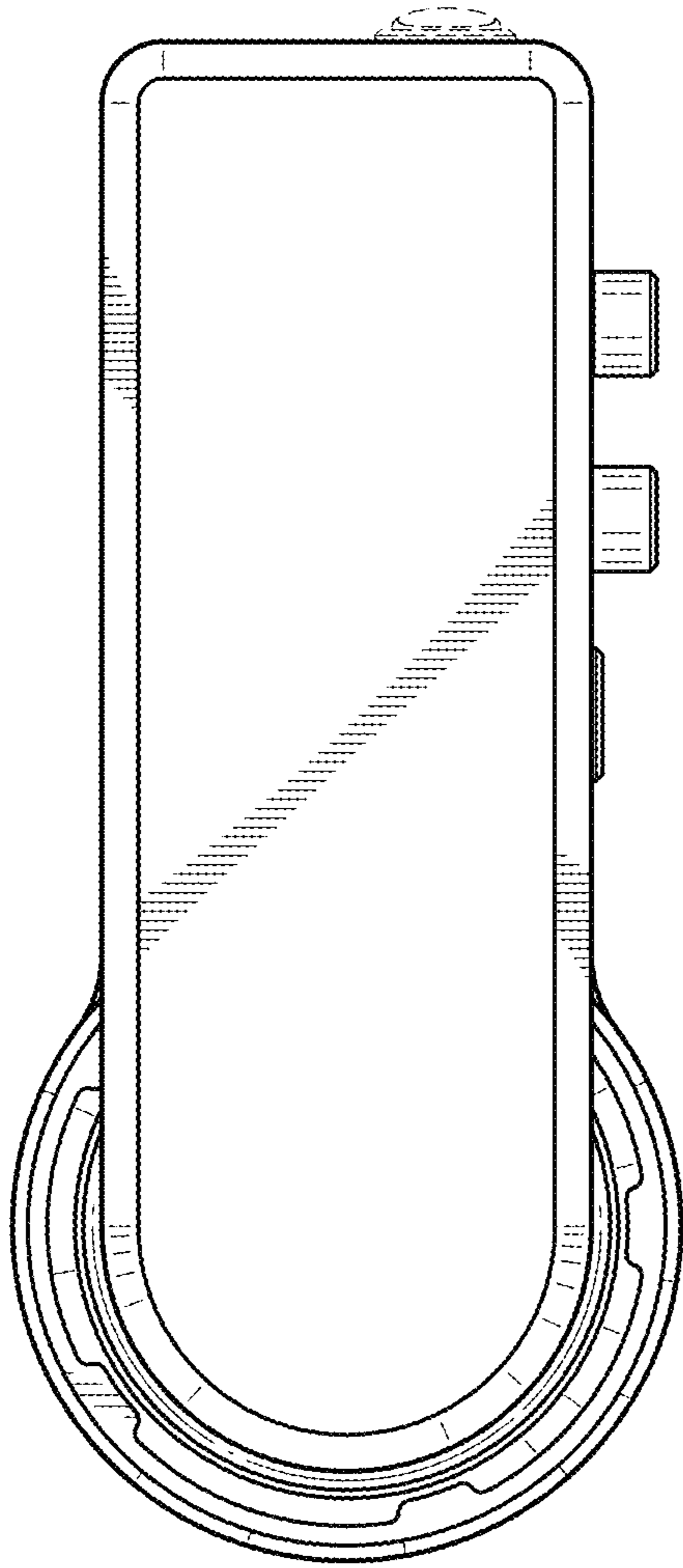
**FIG. 17**



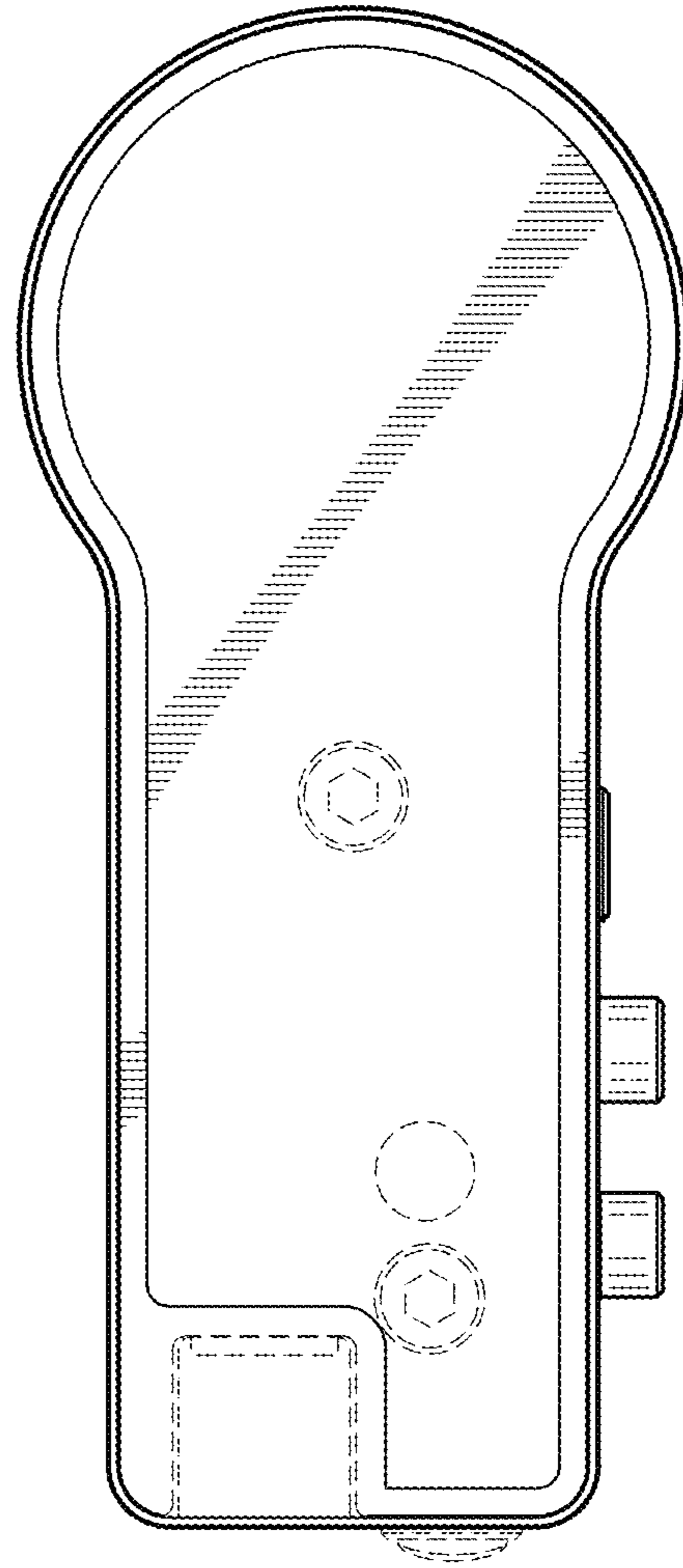
**FIG. 18**



**FIG. 19**



**FIG. 20**



**FIG. 21**