



US00D945815S

(12) **United States Design Patent**
Oliver

(10) **Patent No.:** **US D945,815 S**
(45) **Date of Patent:** **** Mar. 15, 2022**

(54) **COCKTAIL SMOKING CHIMNEY**

- (71) Applicant: **Blake A. Oliver**, Lebanon, NJ (US)
- (72) Inventor: **Blake A. Oliver**, Lebanon, NJ (US)
- (**) Term: **15 Years**
- (21) Appl. No.: **29/767,445**
- (22) Filed: **Jan. 22, 2021**
- (51) **LOC (13) Cl.** **07-99**
- (52) **U.S. Cl.**
USPC **D7/368**
- (58) **Field of Classification Search**
USPC D7/368, 396.1, 397; 426/314; 99/482
CPC A23B 4/052; A23B 4/0523; A23B 7/00;
A23L 13/428; C12G 3/07; A23V 2002/00
See application file for complete search history.

(56) **References Cited**

U.S. PATENT DOCUMENTS

6,481,344 B1 *	11/2002	Green	A23B 4/052
				99/482
6,705,213 B1 *	3/2004	Thomas	A47J 37/0786
				99/467
6,971,305 B1	12/2005	Thomas		
10,471,223 B2	11/2019	Bourque		
2005/0238338 A1	10/2005	Chan		
2020/0107565 A1	4/2020	Swayne et al.		
2020/0221718 A1	7/2020	Flood et al.		

FOREIGN PATENT DOCUMENTS

CN 202311122 7/2012

OTHER PUBLICATIONS

- Amazon.com, Cocktail Smoking Chimney, pp. 1-5, date first available Jun. 3, 2021 (Year: 2021).*
- Amazon.com, Smoking Saucer Set, pp. 1-6, first date available Oct. 21, 2020 (Year: 2020).*
- Cocktail Smoking Chimney, The Crafty Cocktail, pp. 1-8, date Jun. 21, 2021 (Year: 2021).*

* cited by examiner

Primary Examiner — Terry A Wallace

(74) *Attorney, Agent, or Firm* — Doherty IP Law Group LLC

(57) **CLAIM**

The ornamental design for a cocktail smoking chimney, as shown and described.

DESCRIPTION

FIG. 1 is a perspective view of a cocktail smoking chimney, showing my new design.

FIG. 2 is a side view of the cocktail smoking chimney of FIG. 1.

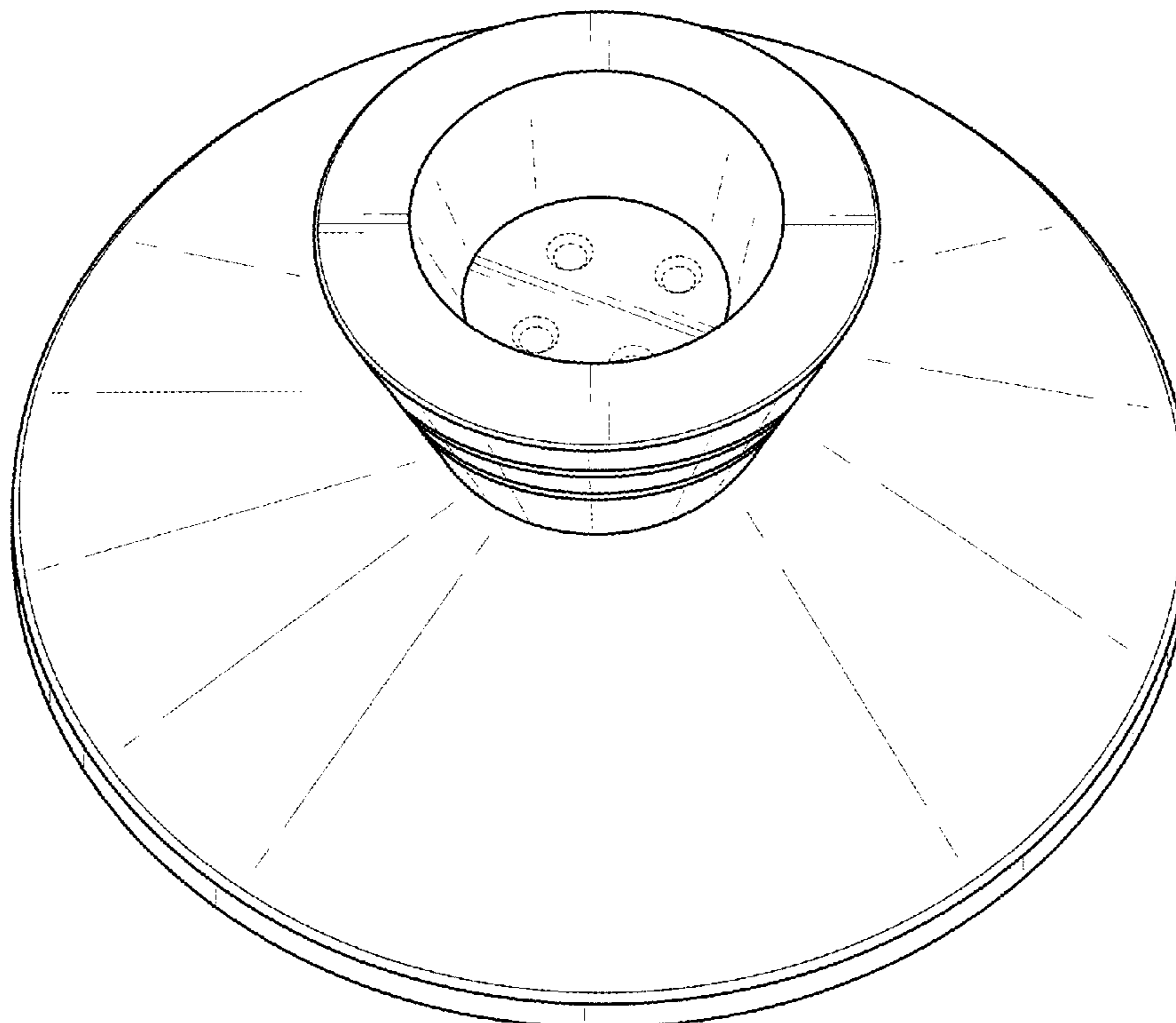
FIG. 3 is a top plan view of the cocktail smoking chimney of FIG. 1.

FIG. 4 is a bottom view of the cocktail smoking chimney of FIG. 1; and,

FIG. 5 is a perspective view of an underside of the cocktail smoking chimney of FIG. 1.

The broken lines in the drawings form no part of the claimed design.

1 Claim, 5 Drawing Sheets



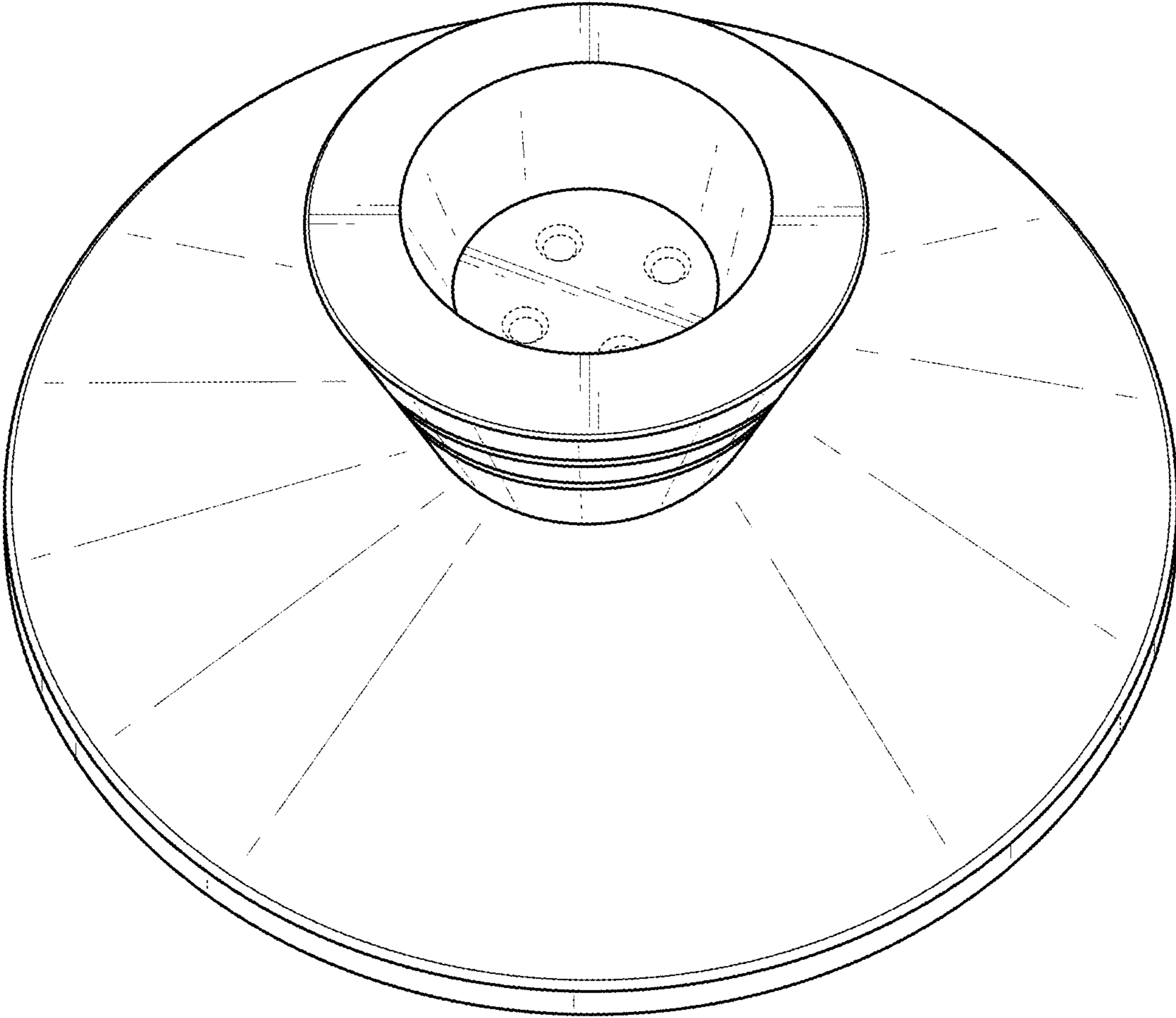


FIG. 1

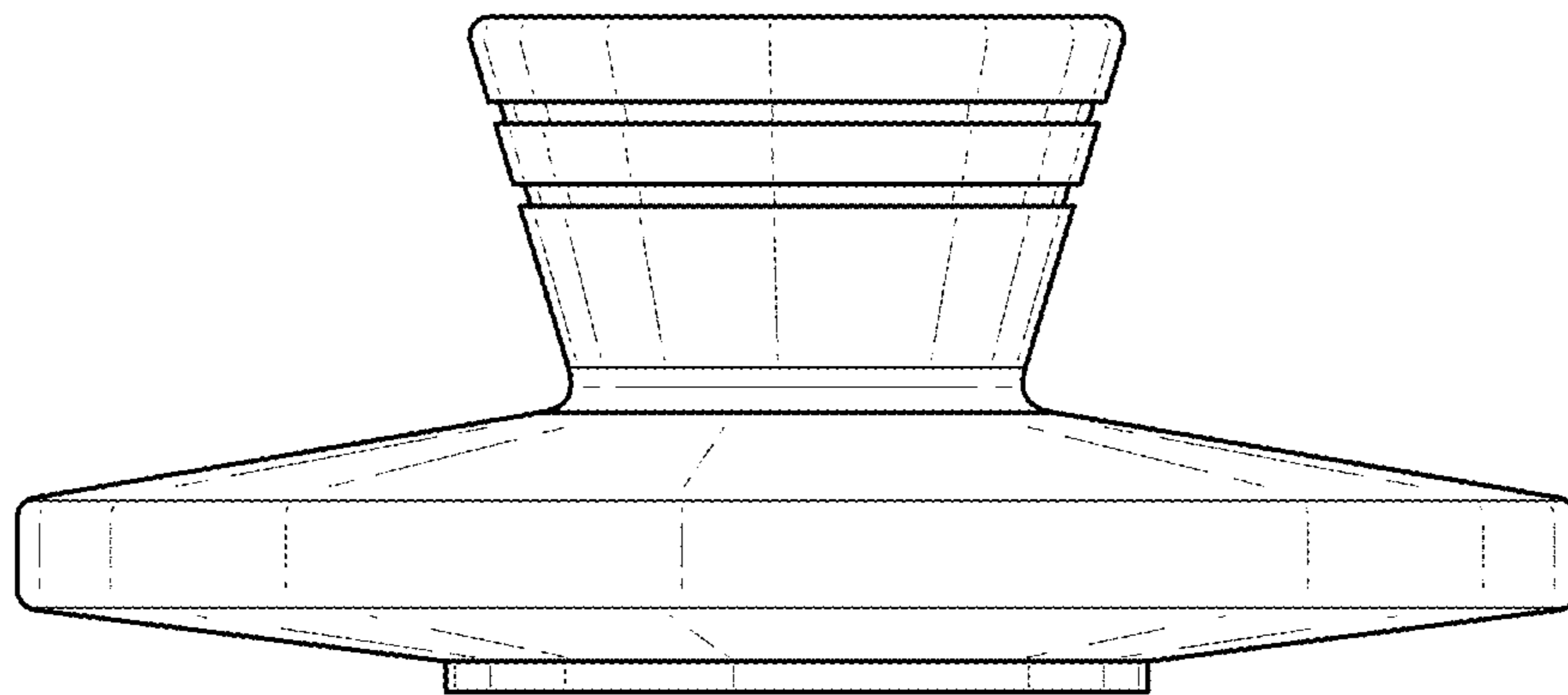


FIG. 2

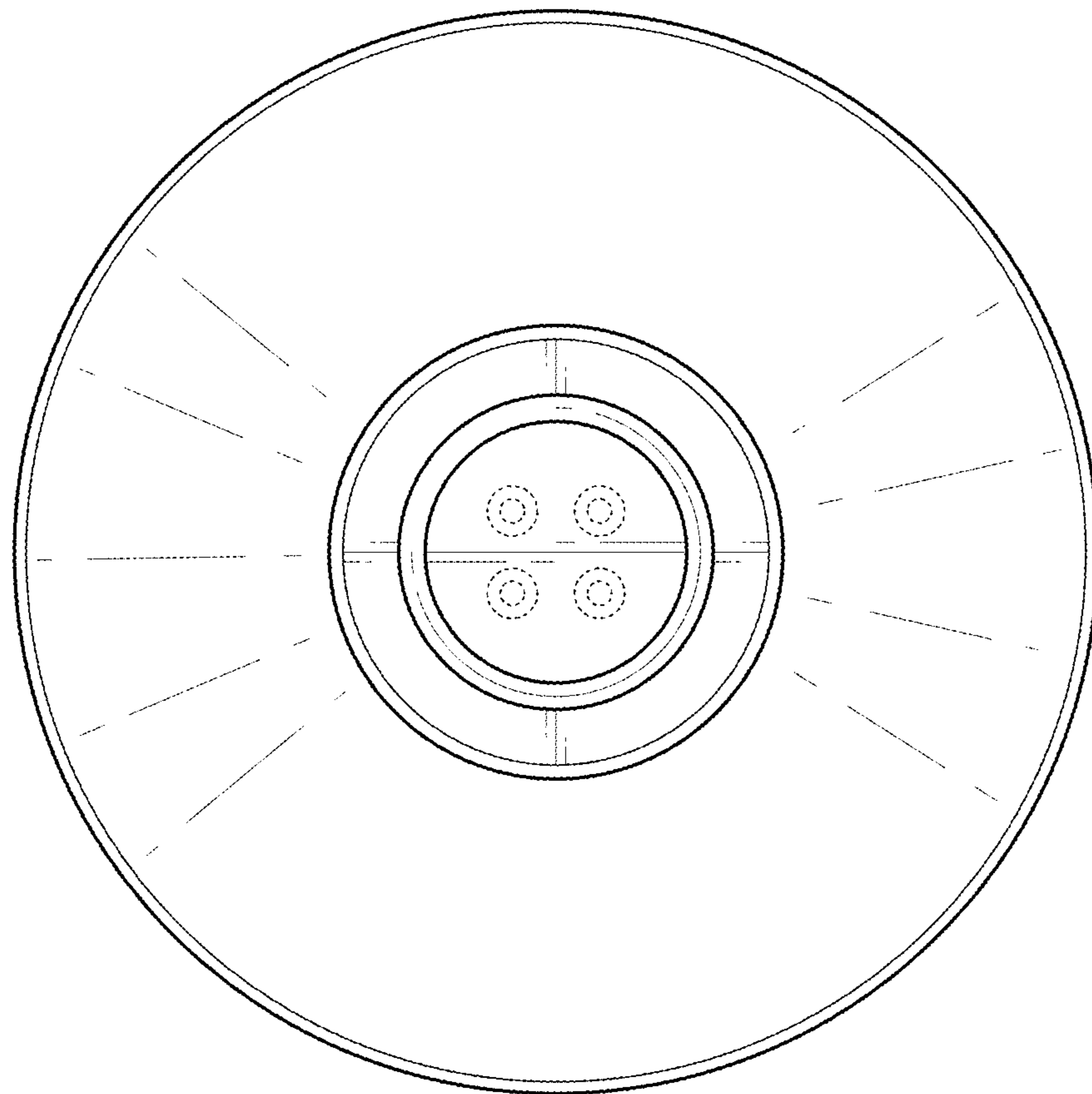


FIG. 3

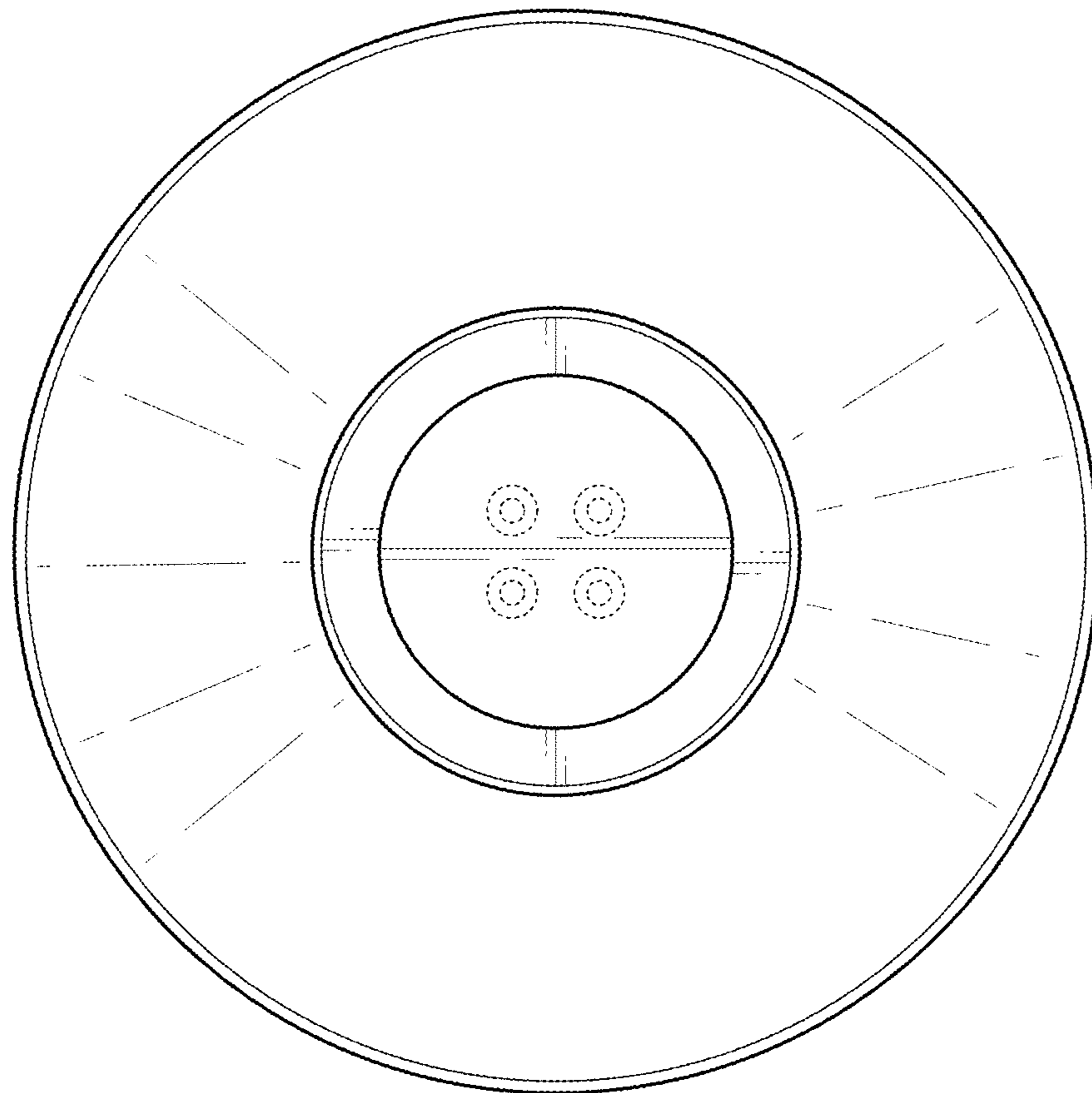


FIG. 4

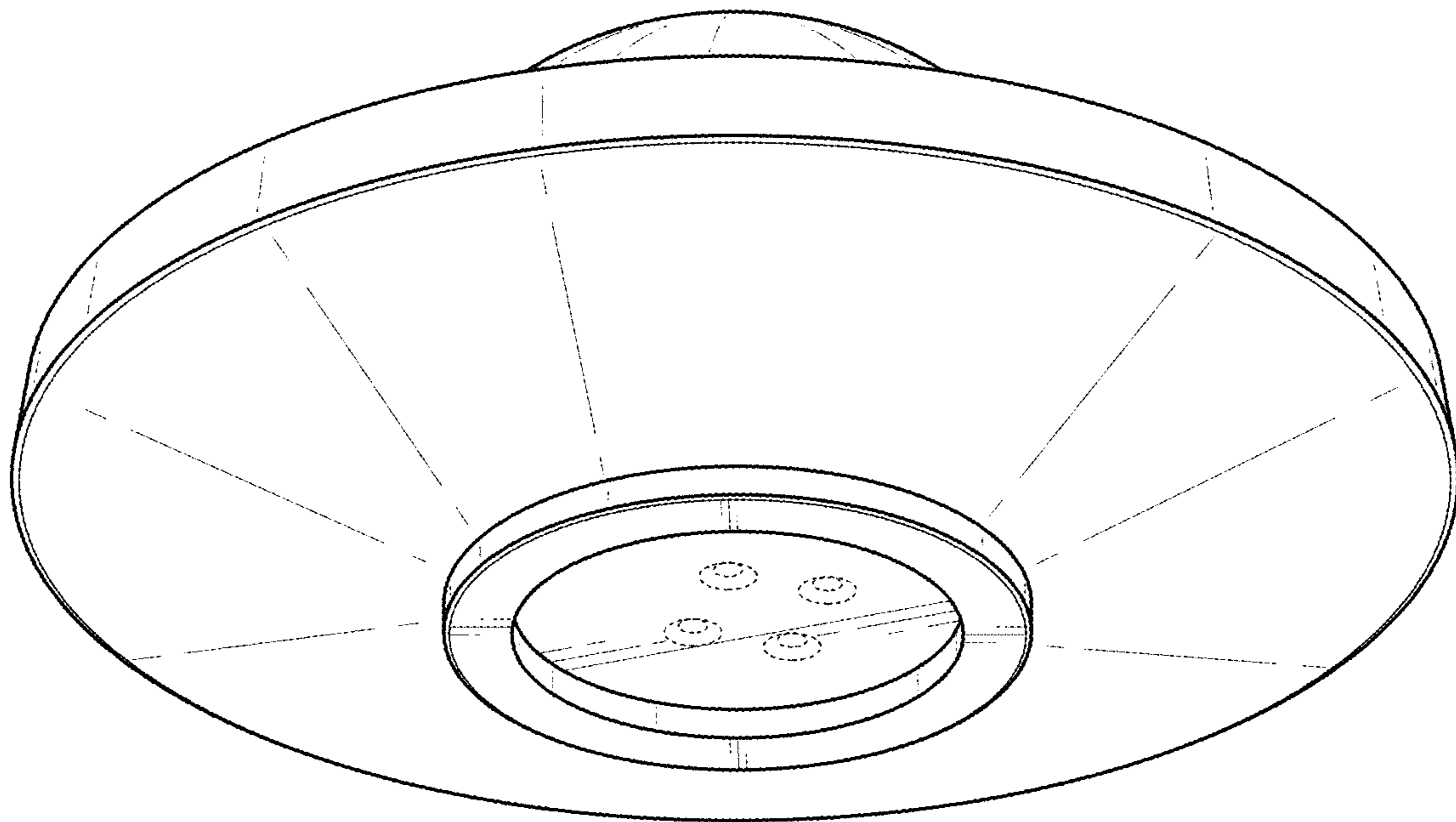


FIG. 5