



US00D945814S

(12) **United States Design Patent**
DeAngelis et al.

(10) **Patent No.:** **US D945,814 S**
(45) **Date of Patent:** **** Mar. 15, 2022**

(54) **APPLIANCE**

(71) Applicant: **Opsis Health, Inc.**, Golden, CO (US)

(72) Inventors: **Nick DeAngelis**, Boston, MA (US);
Alexander Soriano, San Jose, CA
(US); **Robert Soper**, San Jose, CA
(US); **Yi-Chun Liao**, Taichung (TW);
Benjamin Pei-Ming Chia, Cupertino,
CA (US); **Kevin P. Grundy**, Emmett,
ID (US)

(73) Assignee: **Opsis Health, Inc.**, Golden, CO (US)

(**) Term: **15 Years**

(21) Appl. No.: **29/746,450**

(22) Filed: **Aug. 13, 2020**

(51) **LOC (13) Cl.** **07-02**

(52) **U.S. Cl.**
USPC **D7/362; D7/412**

(58) **Field of Classification Search**
USPC D7/323, 337, 339, 341, 352, 354-355,
D7/362-367, 407-411; D14/125;
D23/372
CPC A21B 1/06; A21B 1/50; A21B 1/52; A47J
37/04; A47J 37/06; A47J 37/015; A47J
37/067; A47J 37/0611; A47J 37/0629;
A47J 37/0676; F24C 7/06; F24C 7/083;
F24C 15/02; F24C 15/166; H05B 3/20;
H05B 3/40

See application file for complete search history.

(56) **References Cited**

U.S. PATENT DOCUMENTS

D257,938 S 1/1981 Danley et al.
D370,527 S 6/1996 Perino

D434,486 S * 11/2000 Segers D23/372
D439,792 S * 4/2001 Hedrington D7/323
D710,144 S * 8/2014 Lee D7/362
D736,166 S * 8/2015 Kuh D14/125
D743,734 S * 11/2015 Lee D7/362
D757,010 S 5/2016 Kang et al.
D810,085 S 2/2018 Liu et al.
D817,699 S * 5/2018 Lee D7/362
D829,502 S * 10/2018 Kastner D7/407
D833,199 S * 11/2018 Lee D7/352
D833,206 S * 11/2018 Lee D7/362
D839,869 S 2/2019 Wang
D862,453 S 10/2019 Liang
D884,711 S 5/2020 Zhang et al.
D907,628 S 1/2021 Feng
D911,765 S * 3/2021 Jiang D7/367

* cited by examiner

Primary Examiner — Ricky Pham

(74) *Attorney, Agent, or Firm* — Charles Shemwell

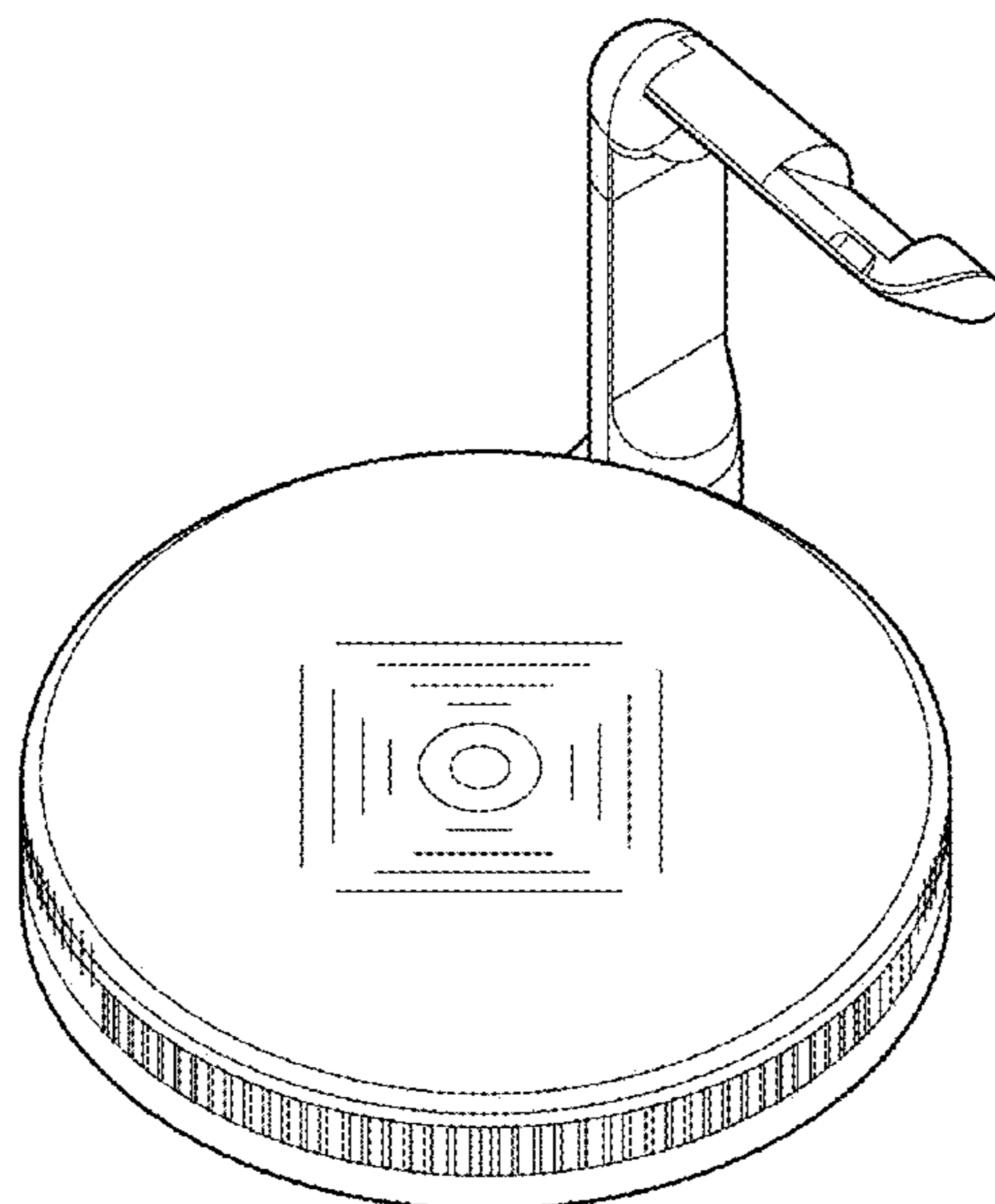
(57) **CLAIM**

The ornamental design for an appliance, as shown and described.

DESCRIPTION

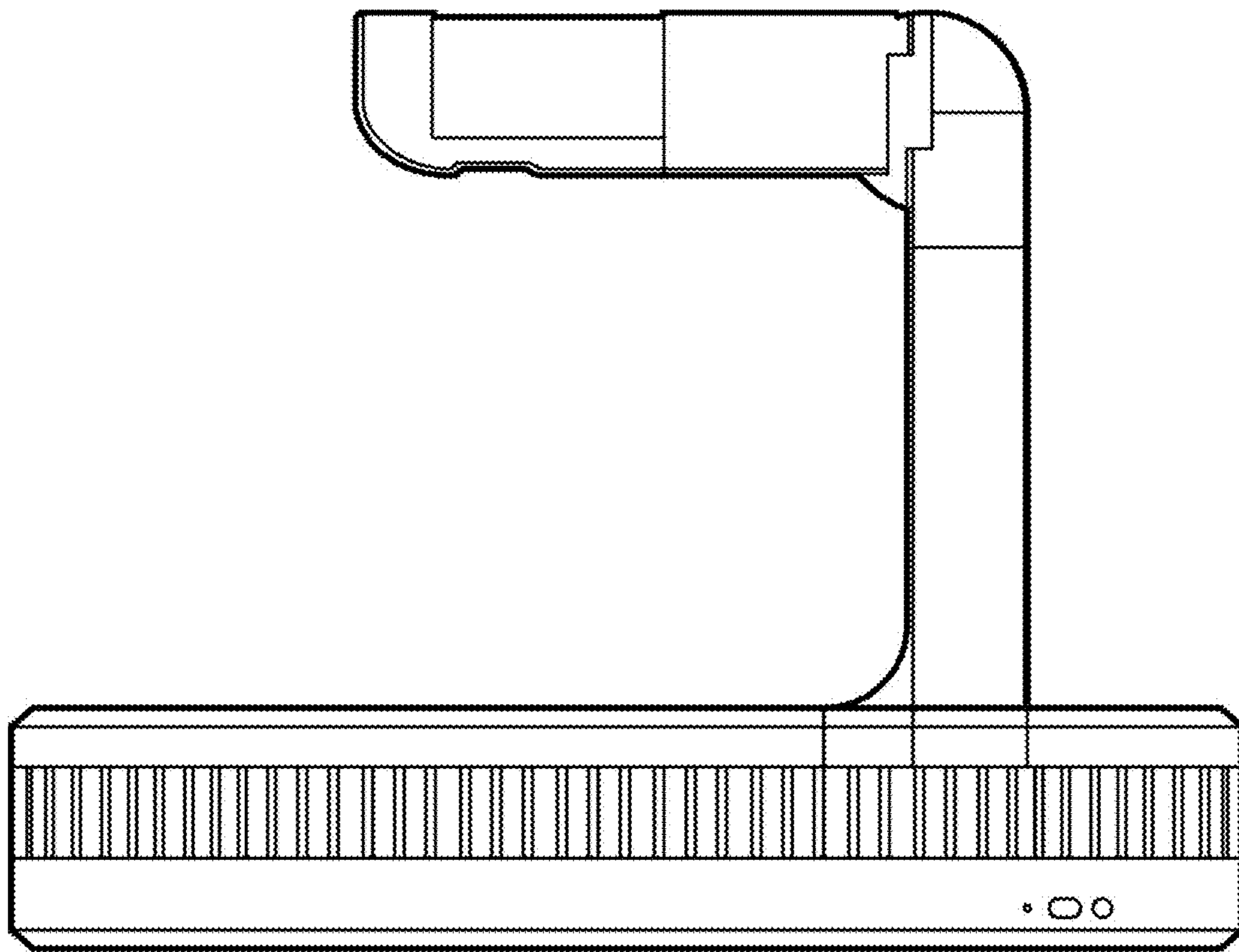
FIG. 1 is a back elevation view of an appliance;
FIG. 2 is a bottom plan view thereof;
FIG. 3 is a front elevation view thereof;
FIG. 4 is an isometric view thereof;
FIG. 5 is a left elevation view thereof;
FIG. 6 is a right elevation view thereof; and,
FIG. 7 is a top plan view thereof.

1 Claim, 7 Drawing Sheets



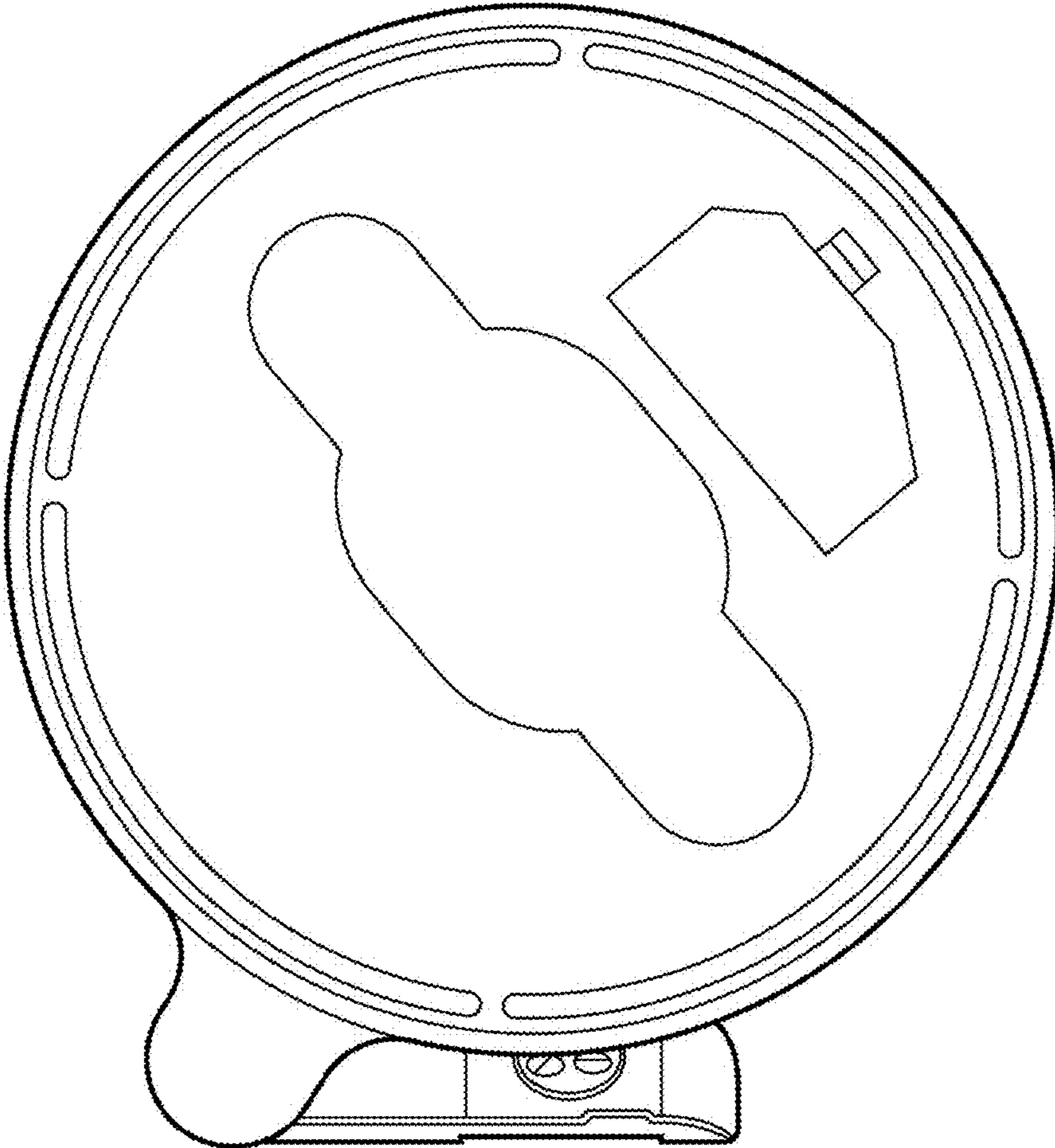
Isometric

FIGURE 1



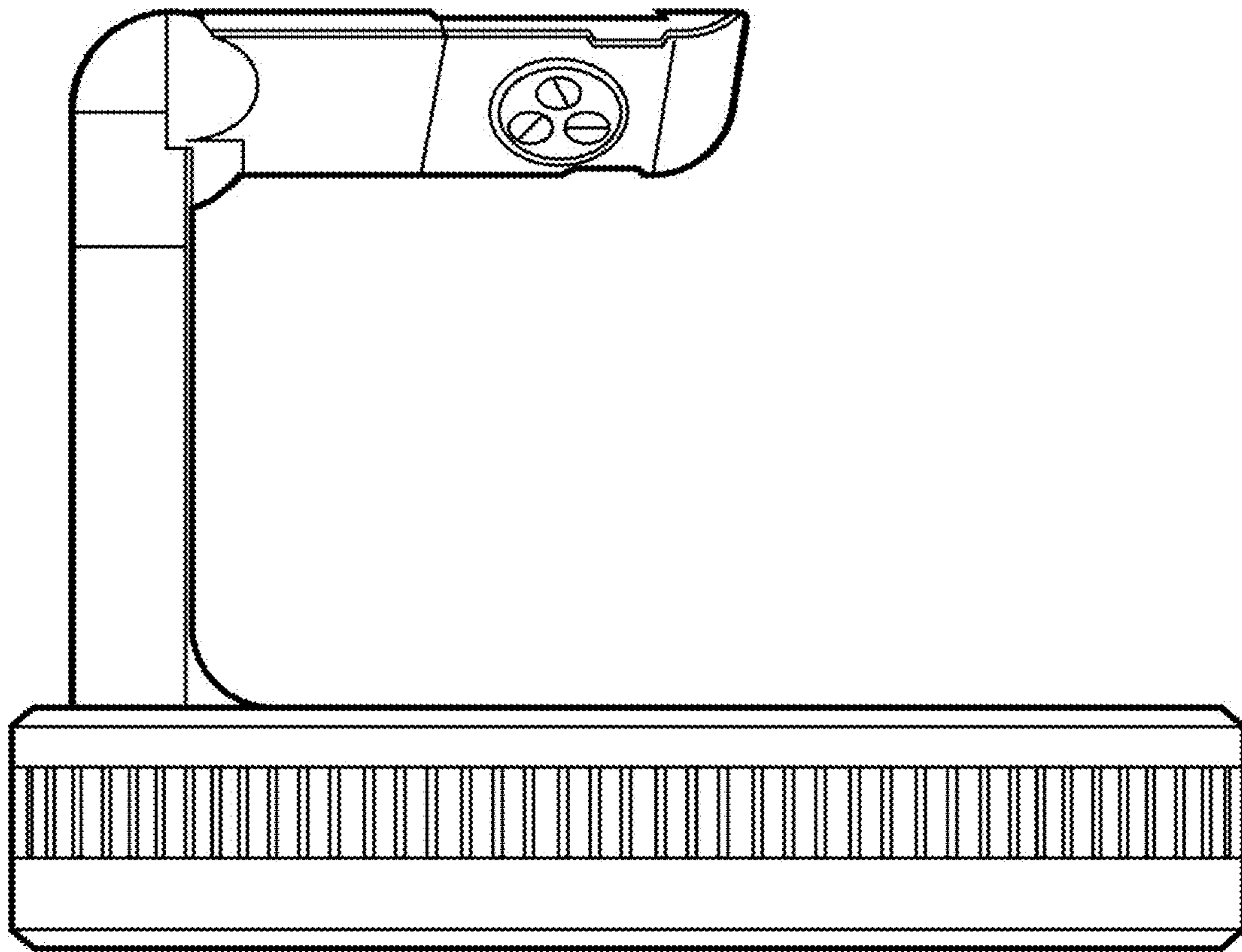
Back

FIGURE 2



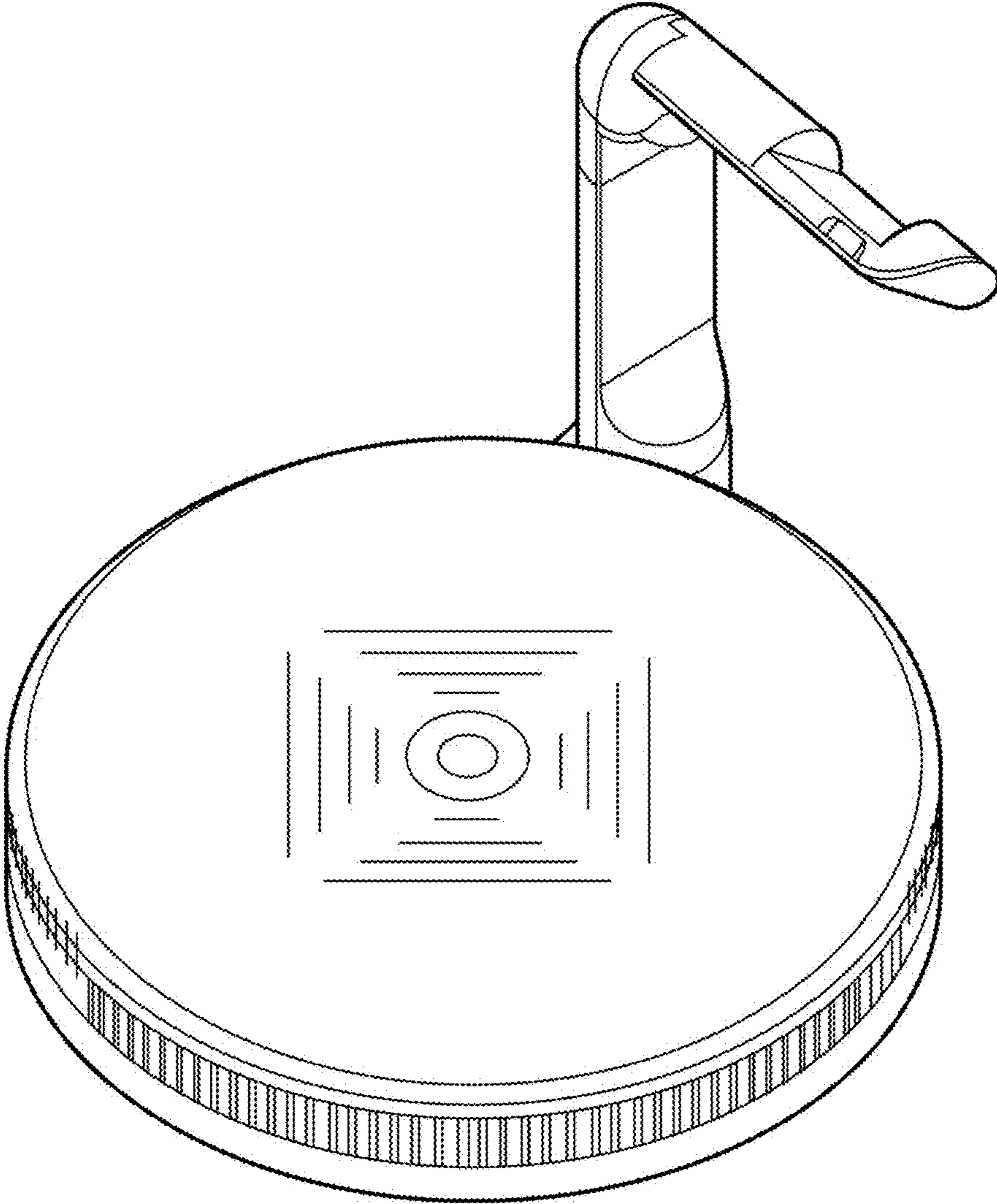
Bottom

FIGURE 3



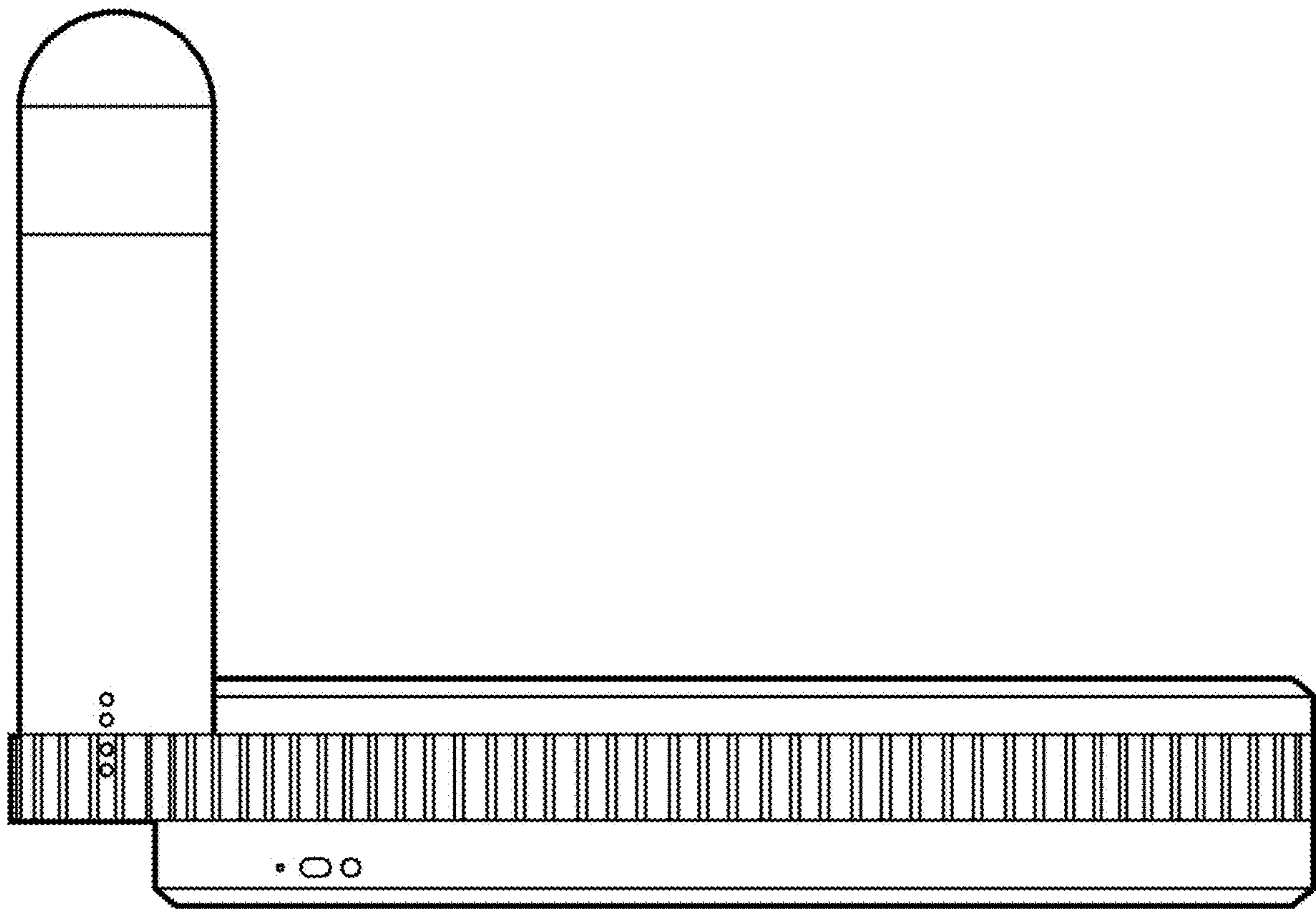
Front

FIGURE 4



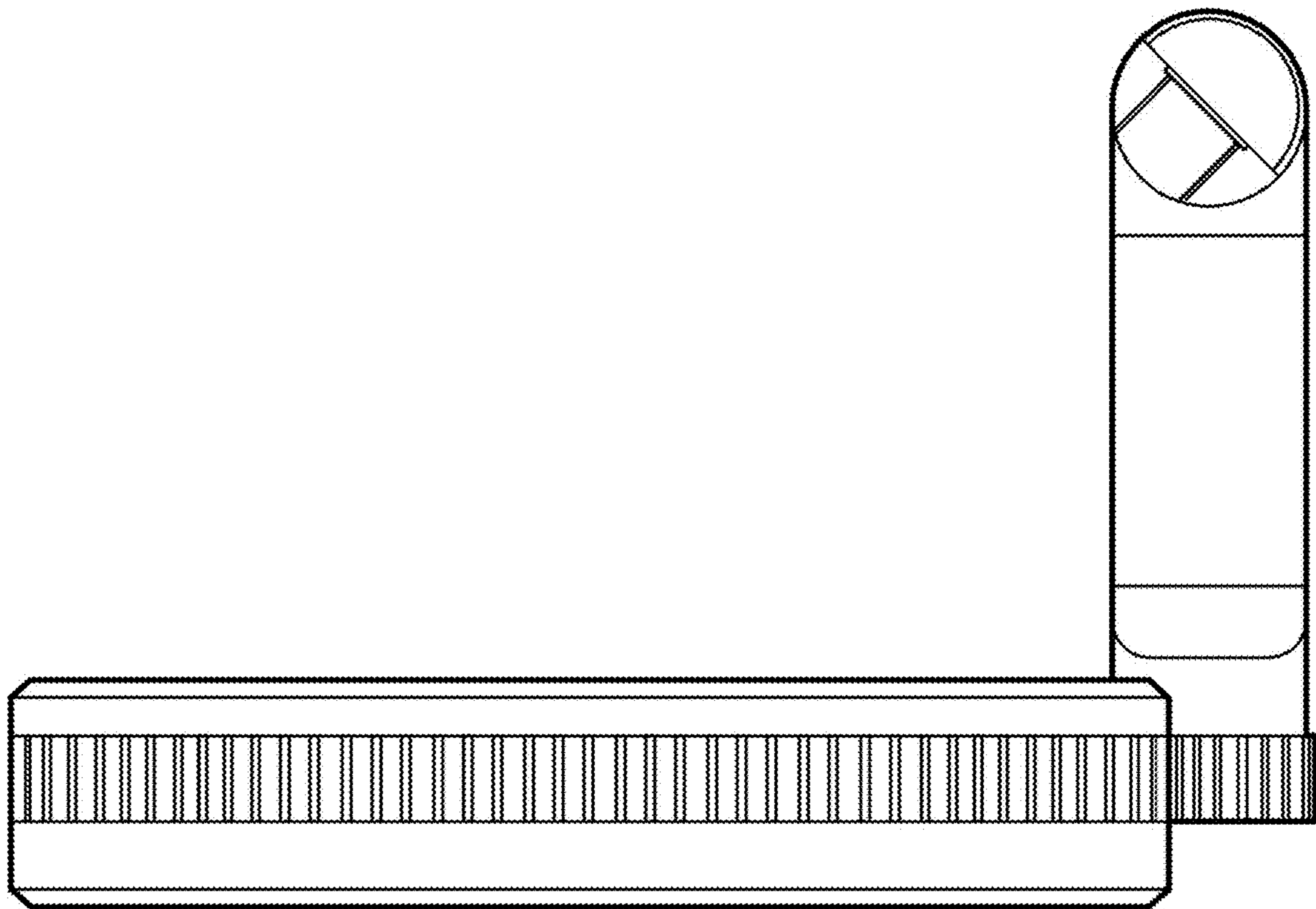
Isometric

FIGURE 5



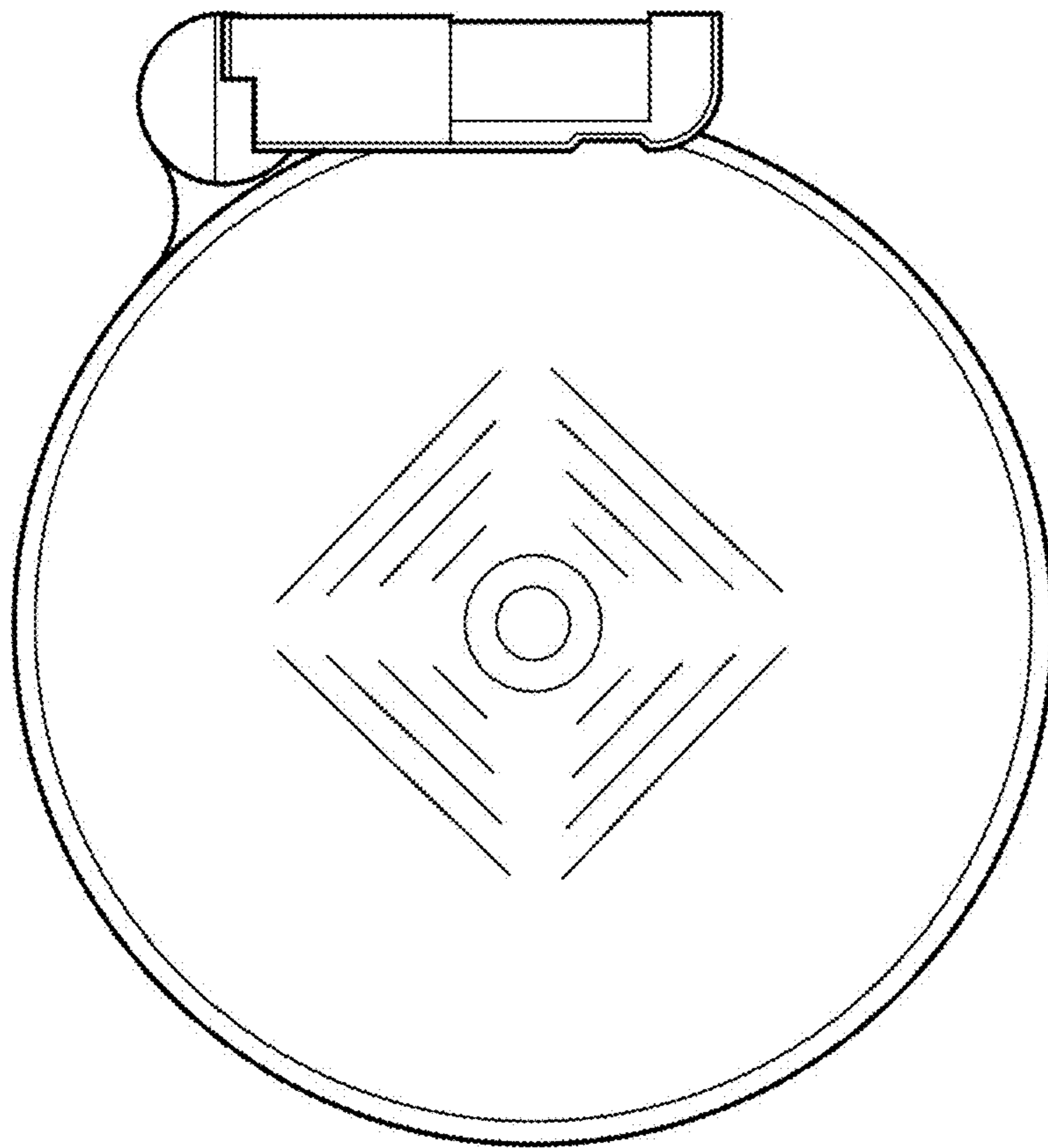
Left

FIGURE 6



Right

FIGURE 7



Top