



US00D945811S

(12) **United States Design Patent** (10) **Patent No.:** **US D945,811 S**
Knott et al. (45) **Date of Patent:** **** Mar. 15, 2022**

(54) **LIQUID CONTAINER**

(71) Applicant: **GROVE COLLABORATIVE, INC.**,
San Francisco, CA (US)

(72) Inventors: **David Knott**, Sydney (AU); **Gloria Ghezzi**, Shanghai (CN)

(73) Assignee: **Grove Collaborative, Inc.**, San Francisco, CA (US)

4,015,758 A 4/1977 Cavazza
4,438,869 A 3/1984 Vierkotter et al.
4,660,746 A 4/1987 Wright
4,811,871 A 3/1989 Wass et al.
5,129,561 A 7/1992 Drobish
5,392,966 A 2/1995 Bunin
5,495,964 A 3/1996 Santagiuliana
5,695,093 A 12/1997 Lucius
6,076,708 A 6/2000 Ceccarelli et al.
6,378,741 B1 4/2002 Loertscher
6,892,905 B2 5/2005 Cousseau
6,997,358 B2 2/2006 Wass

(Continued)

(**) Term: **15 Years**

(21) Appl. No.: **29/674,940**

(22) Filed: **Dec. 27, 2018**

(51) **LOC (13) Cl.** **07-01**

(52) **U.S. Cl.**
USPC **D7/316**

(58) **Field of Classification Search**
USPC D7/300, 312, 316-318, 321, 322, 393,
D7/395, 396, 397, 399, 400, 590, 598,
D7/600; D9/435, 544, 545, 549
CPC A47G 19/12; A47G 19/14; A47G 19/16;
A47G 19/22; A47J 31/00; A47J 27/21;
A47J 27/21008
See application file for complete search history.

OTHER PUBLICATIONS

International Preliminary Report and Written Opinion dated Jun. 16, 2021, for International Application No. PCT/US2019/068696, 7 pages.

Primary Examiner — Michelle E. Wilson
Assistant Examiner — Andrew Kerr
(74) *Attorney, Agent, or Firm* — Cooley LLP

(57) **CLAIM**

The ornamental design for a liquid container, as shown and described.

DESCRIPTION

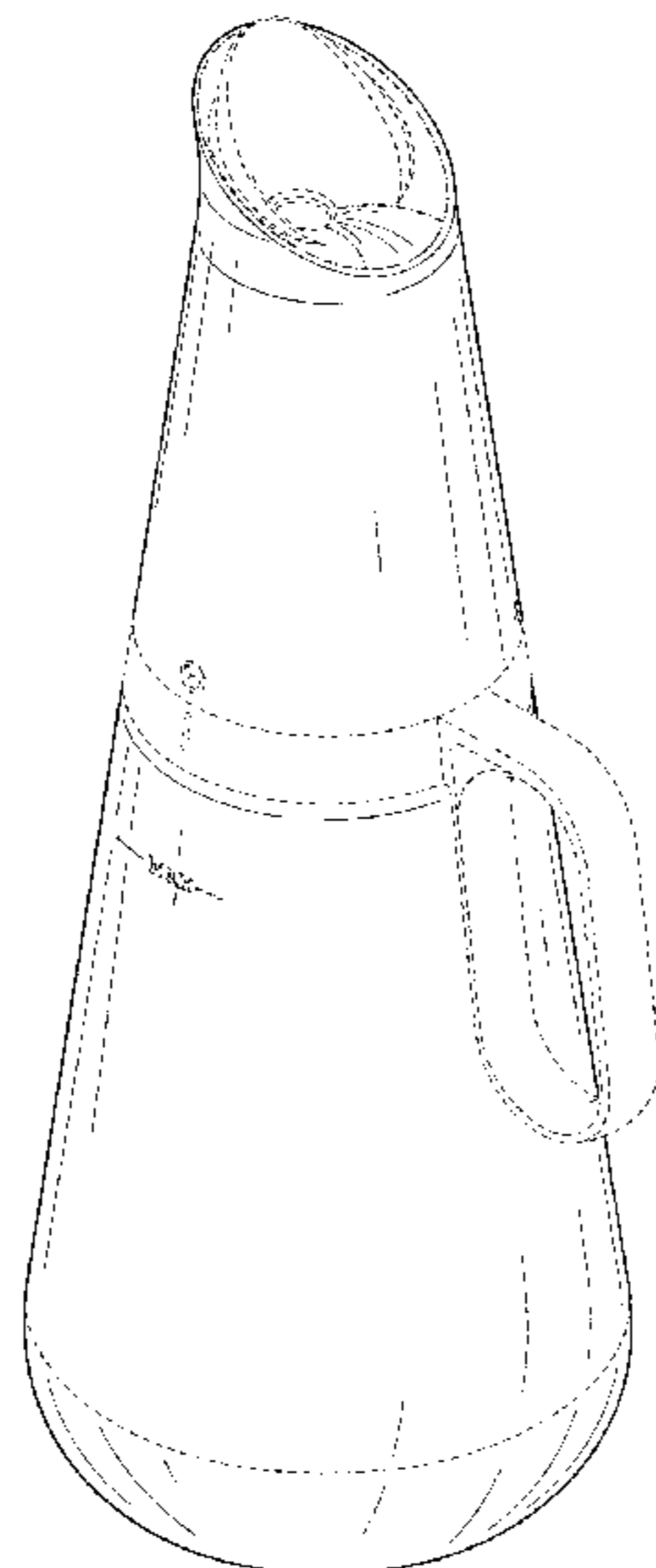
FIG. 1 is a front perspective view of a liquid container showing our new design;
FIG. 2 is a front elevation view thereof;
FIG. 3 is a rear elevation view thereof;
FIG. 4 is right side elevation view thereof;
FIG. 5 is a left side elevation view thereof;
FIG. 6 is a top plan view thereof; and,
FIG. 7 is a bottom plan view thereof.
The dash-dot broken lines represent the boundary of the claimed design. The even-spaced dash broken lines are for the purpose of illustrating portions of the article and form no part of the claimed design.

1 Claim, 6 Drawing Sheets

(56) **References Cited**

U.S. PATENT DOCUMENTS

| | | |
|-------------|--------|----------------|
| 2,091,929 A | 8/1937 | Kappenberg |
| 2,208,862 A | 7/1940 | Stringfellow |
| 2,233,996 A | 3/1941 | Dent |
| 2,241,840 A | 5/1941 | Achtziger |
| 2,760,692 A | 8/1956 | Buehlig |
| 2,834,519 A | 5/1958 | Miller |
| 2,943,767 A | 7/1960 | Moro-Lin |
| 3,023,937 A | 3/1962 | Matter |
| 3,146,919 A | 9/1964 | Chappell |
| 3,233,797 A | 2/1966 | Conry |
| 3,687,341 A | 8/1972 | Stanley et al. |
| 3,833,150 A | 9/1974 | Visser-Patings |



(56)

References Cited

U.S. PATENT DOCUMENTS

D552,403 S * 10/2007 Renner D7/317
D587,060 S * 2/2009 Tong Chi Chung D7/317
8,851,333 B2 10/2014 van de Poll
9,003,879 B1 4/2015 Honan et al.
9,625,299 B2 4/2017 Holden et al.
10,444,049 B1 10/2019 Ghezzi et al.
D871,816 S * 1/2020 Eisen D7/300.1
D874,861 S * 2/2020 Alexander D7/318
D899,172 S * 10/2020 Burns D7/316
D899,173 S * 10/2020 Burns D7/316
10,942,052 B2 3/2021 Ghezzi et al.
2006/0081649 A1 4/2006 Kerkhof et al.
2011/0036934 A1 2/2011 Antal et al.
2011/0163118 A1 7/2011 Gieda et al.
2012/0248153 A1 10/2012 Peng
2013/0062370 A1 3/2013 Nielsen
2015/0028063 A1 1/2015 Skillin et al.
2015/0217910 A1 8/2015 Vogel et al.
2020/0264026 A1 8/2020 Ghezzi et al.

* cited by examiner

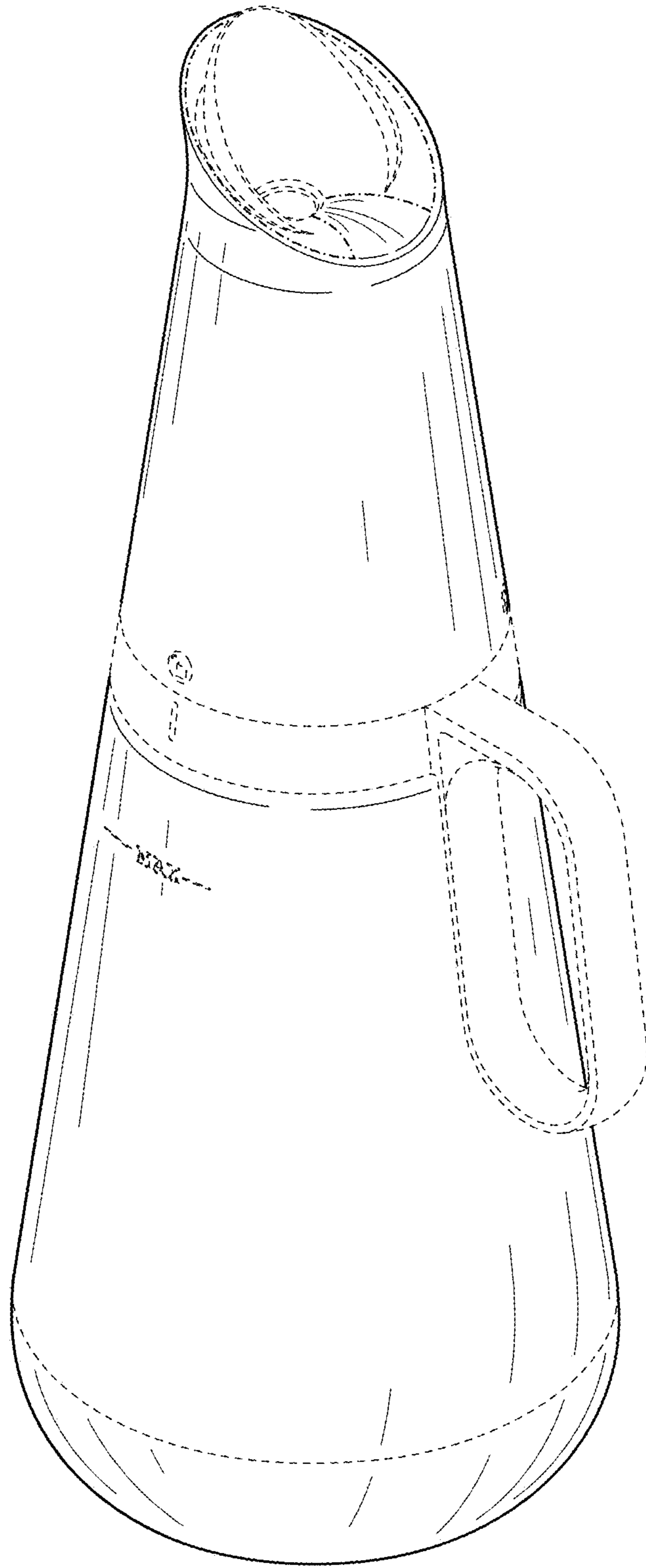


FIG. 1

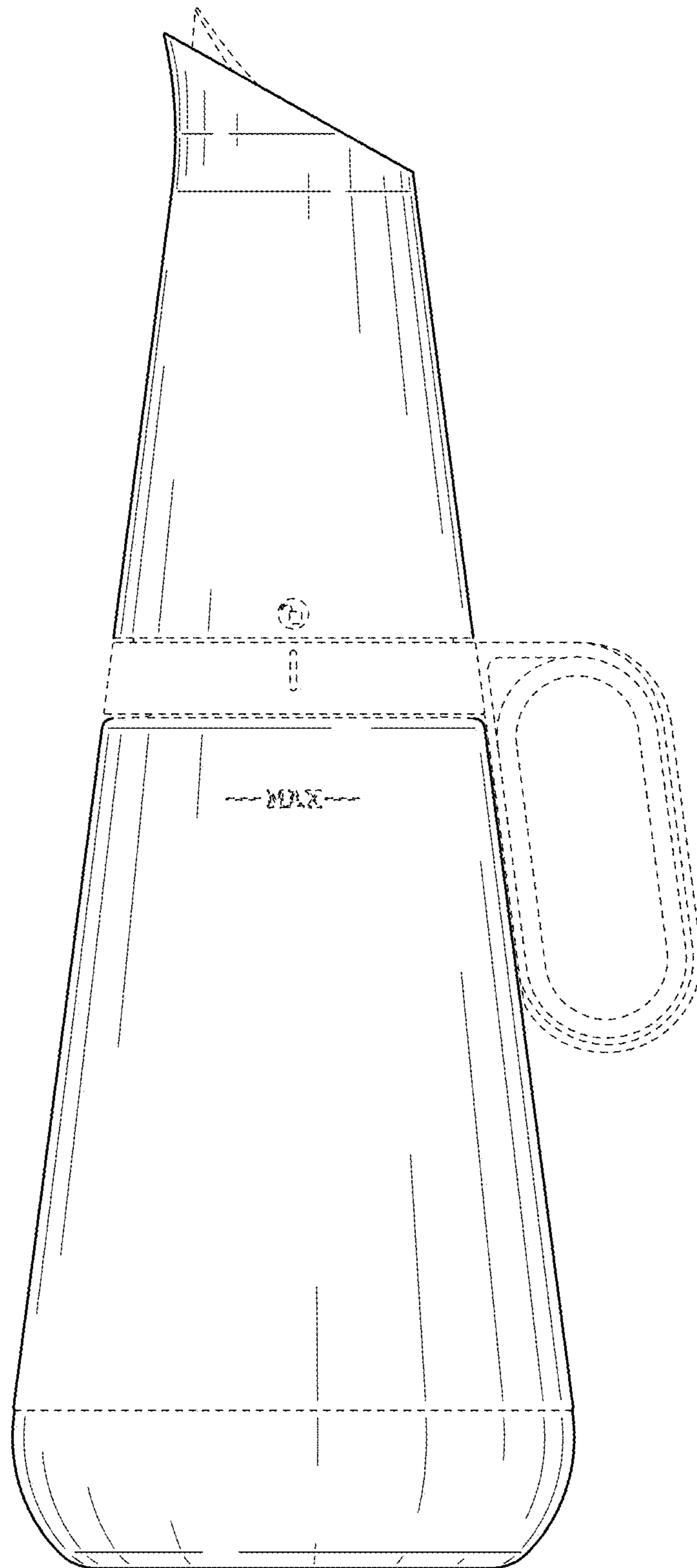


FIG. 2

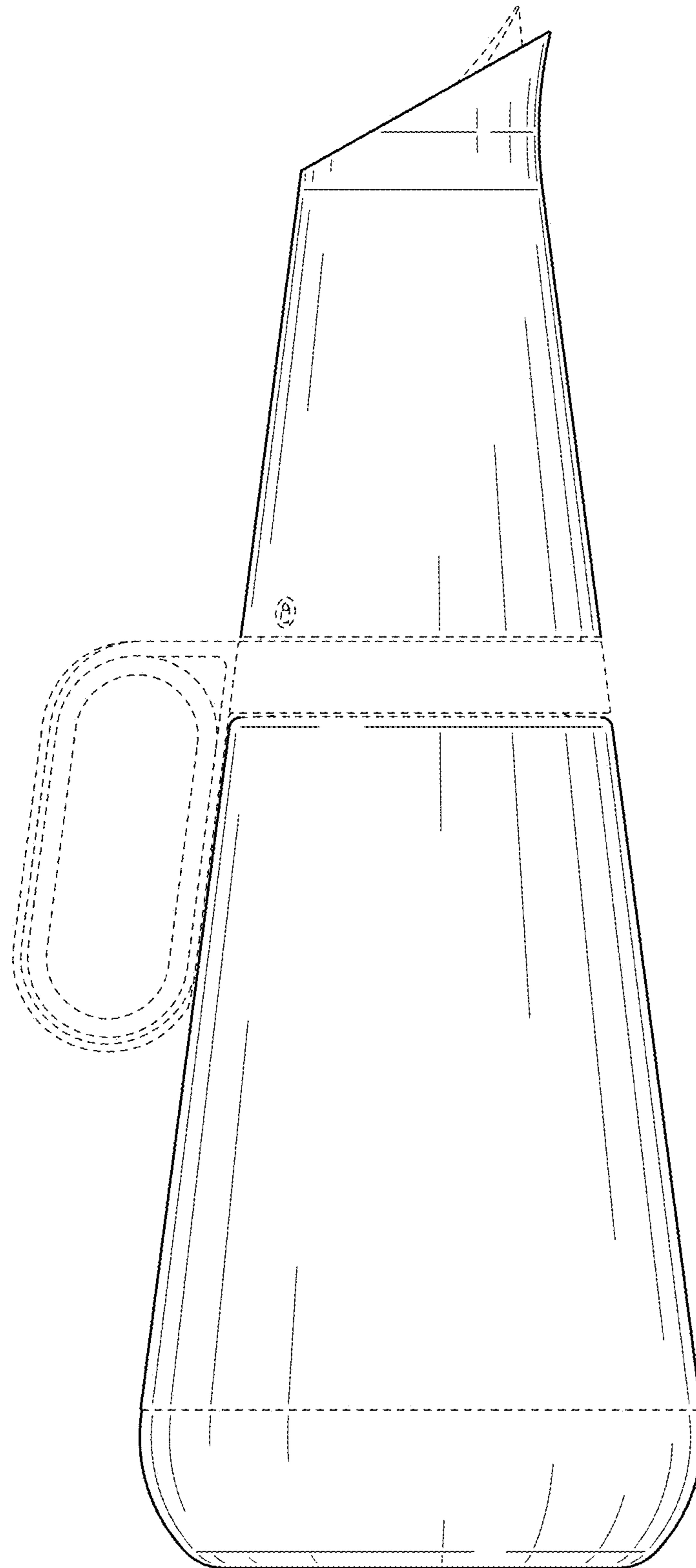


FIG. 3

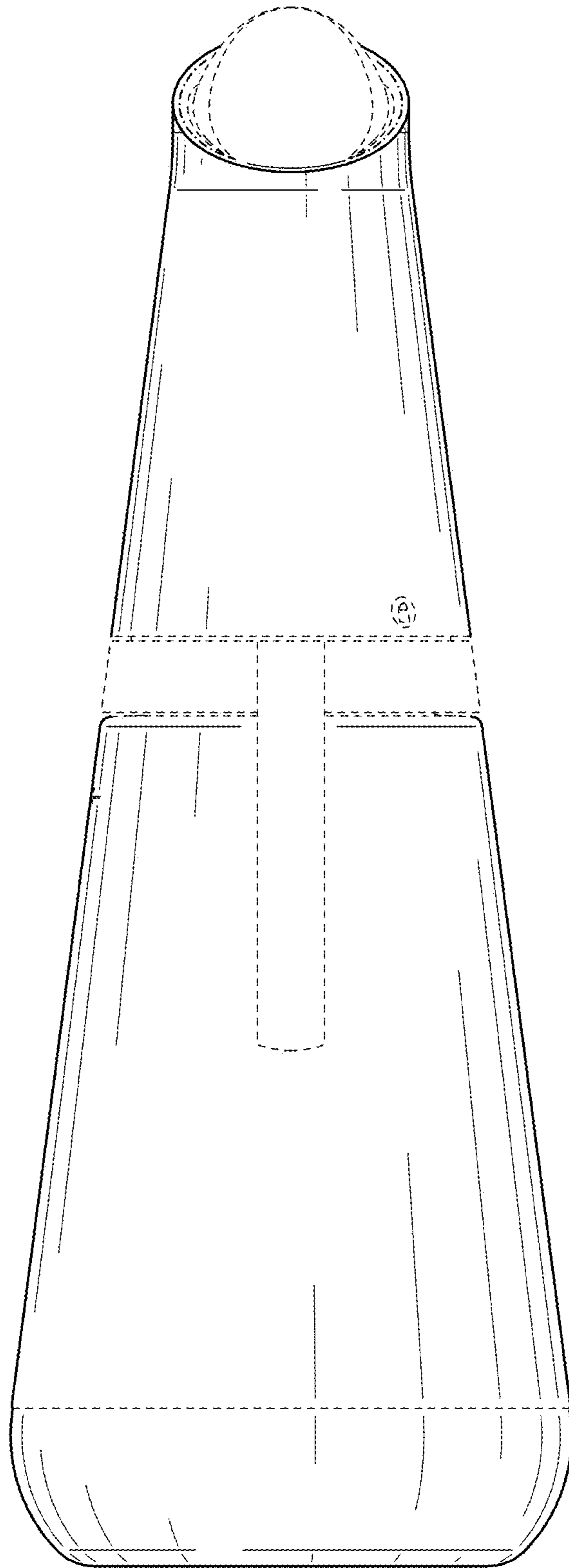


FIG. 4

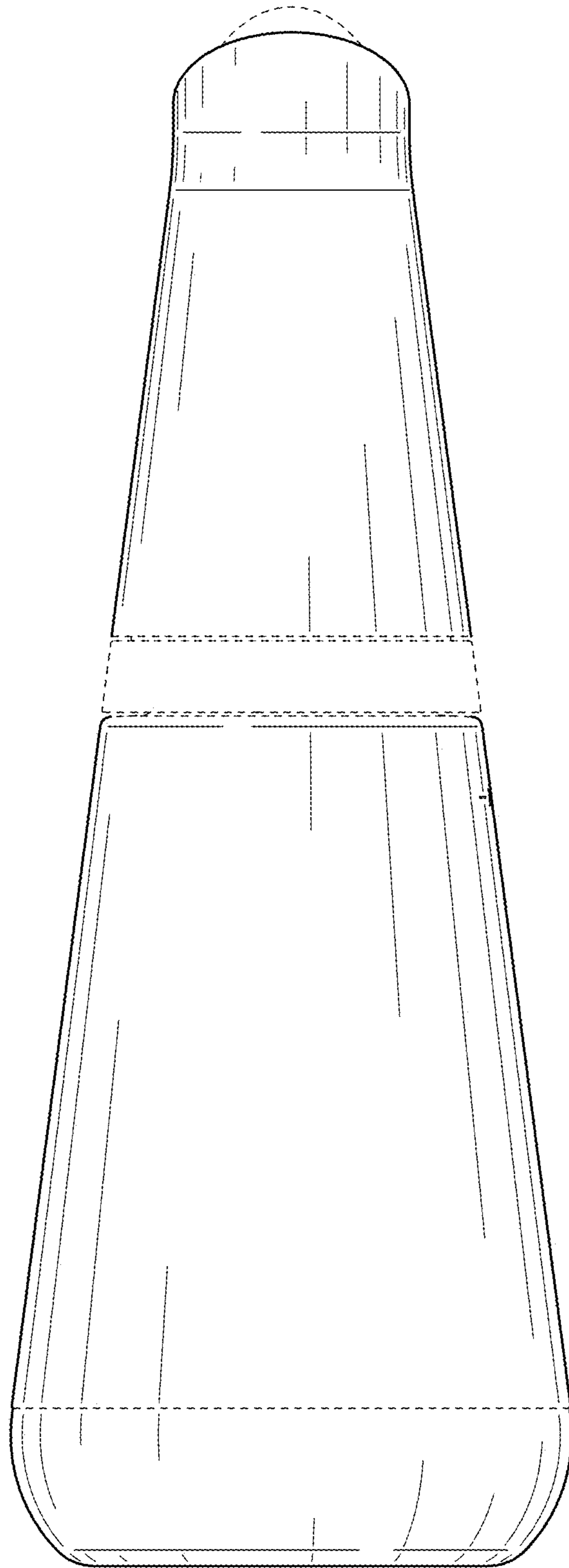


FIG. 5

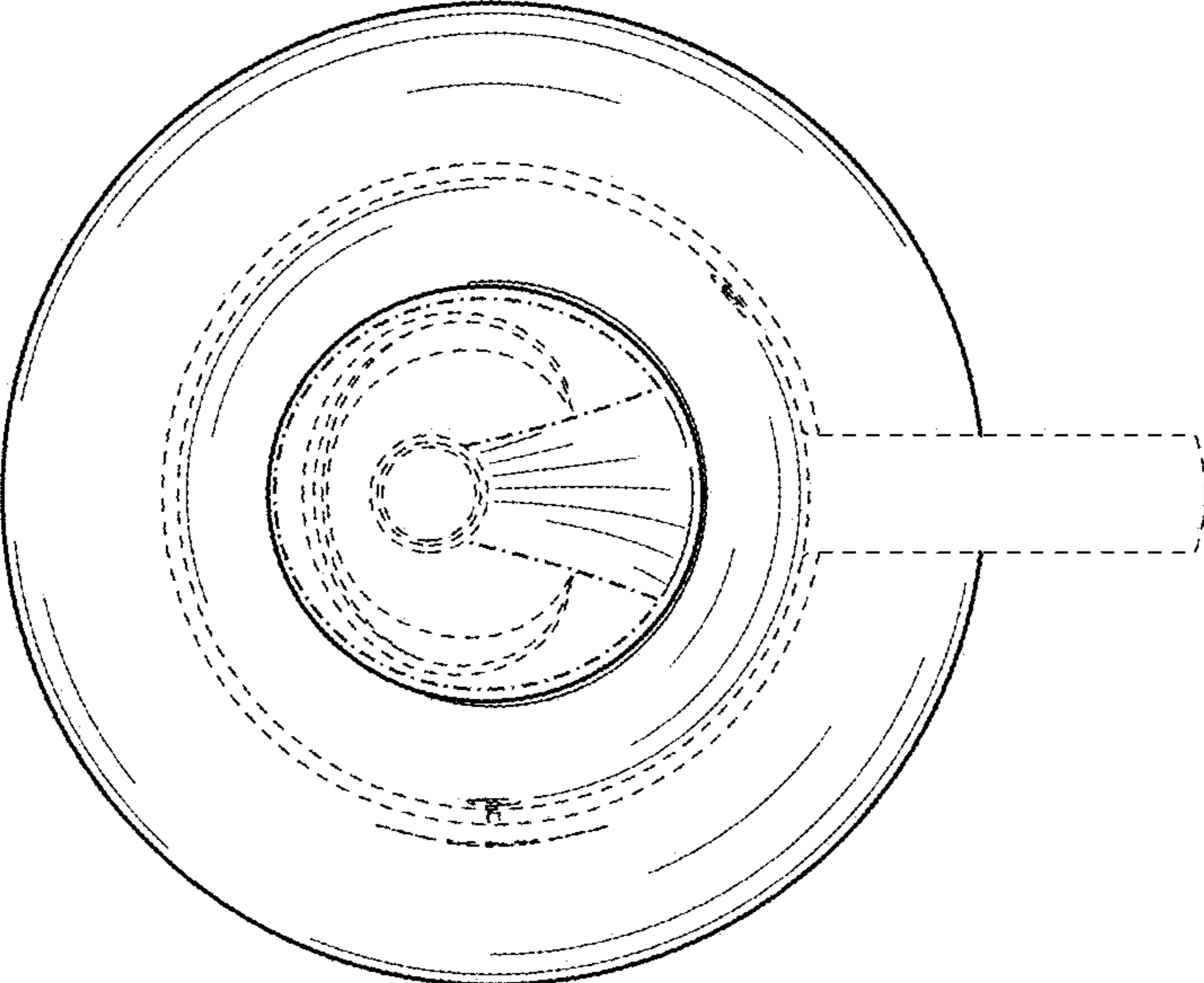


FIG. 6

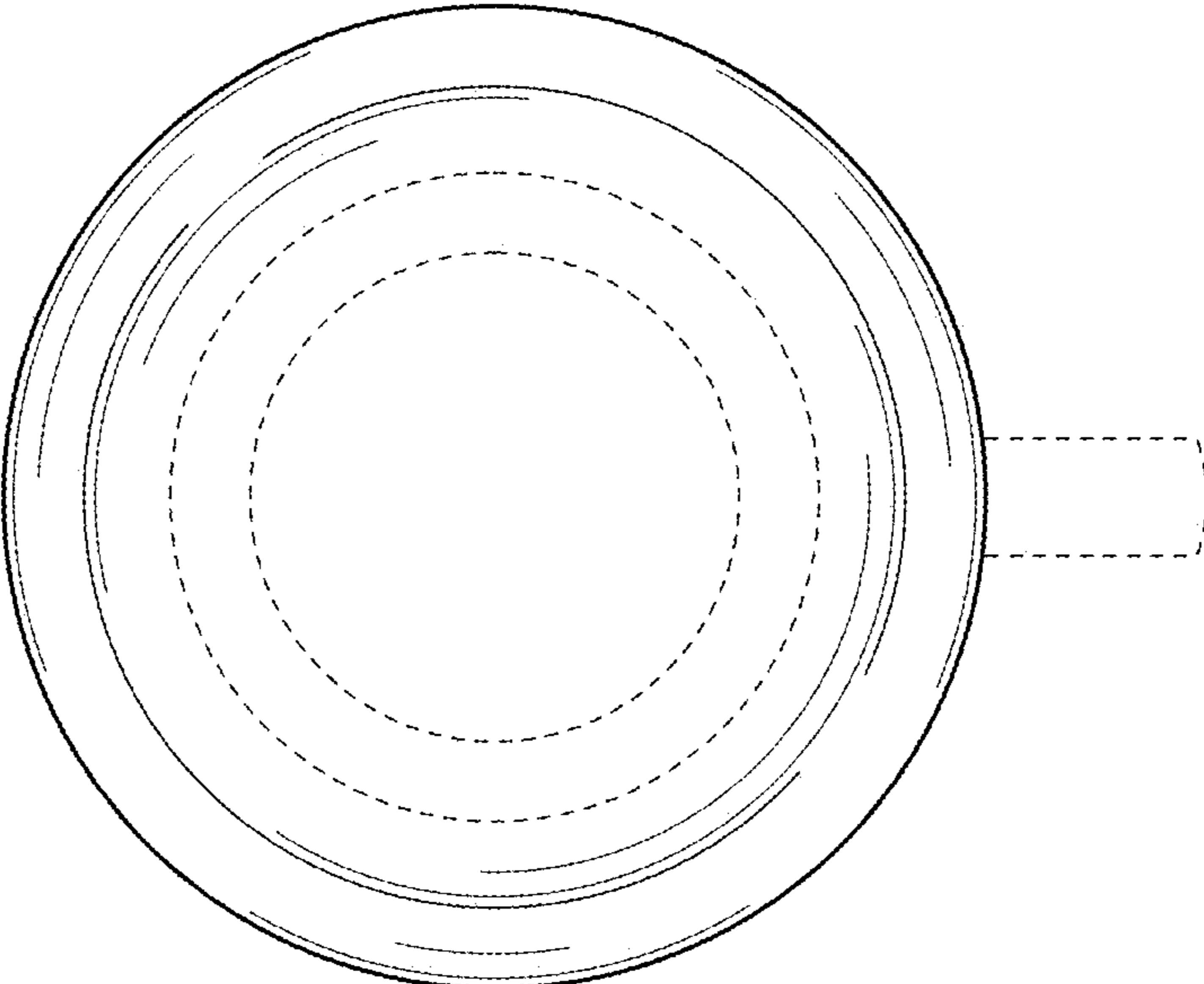


FIG. 7