



US00D945810S

(12) **United States Design Patent**
Fontier et al.

(10) **Patent No.:** **US D945,810 S**
(45) **Date of Patent:** **** Mar. 15, 2022**

(54) **COFFEE-MAKING KIT**

(71) Applicants: **Malcolm Fontier**, Brooklyn, NY (US);
Gareth Brown, Gardiner, NY (US);
Stephen Kaes, Brooklyn, NY (US);
Matthew Chin, New York, NY (US)

(72) Inventors: **Malcolm Fontier**, Brooklyn, NY (US);
Gareth Brown, Gardiner, NY (US);
Stephen Kaes, Brooklyn, NY (US);
Matthew Chin, New York, NY (US)

(**) Term: **15 Years**

(21) Appl. No.: **29/696,665**

(22) Filed: **Jun. 28, 2019**

(51) **LOC (13) Cl.** **07-01**

(52) **U.S. Cl.**

USPC **D7/310**; D7/317; D7/399; D7/400

(58) **Field of Classification Search**

USPC D7/300, 305-313, 316, 319, 320, 321,
D7/322, 367, 386, 387, 397-401, 665,
D7/679, 700, 317; D15/80-82, 150;
D23/200, 207; D20/1, 4; D9/416, 428,
D9/429, 435, 436; D27/162, 167, 169,
D27/193; D30/121, 129, 132

CPC A23F 5/262; B67D 1/0004; B67D
2001/0087; B67D 2001/0089; B67D
1/0021; B67D 1/0085; B67D 1/0086;
B67D 1/0857; B67D 1/0867; B67D 3/00;
A47J 31/02; A47J 31/0573; A47J 31/06;
A47J 31/061; A47J 31/0615; A47J
31/0689; A47J 31/18; A47J 31/24; A47J
31/36; A47J 31/3633; A47J 31/407; A47J
31/44; A47J 31/4403; A47J 31/4482;
A47J 31/46; A47J 31/467; A47J 31/50;
A47J 31/52; A47J

(Continued)

(56) **References Cited**

U.S. PATENT DOCUMENTS

D131,880 S * 3/1942 McLean A47J 31/02
D7/372

D185,115 S * 5/1959 Beerman D7/700

(Continued)

FOREIGN PATENT DOCUMENTS

CA 106090 * 11/2005
CN 3155782 * 8/2000

(Continued)

OTHER PUBLICATIONS

Bodum, "Bodum Bistro Burr Coffee Grinder," Sep. 14, 2010,
Amazon.com, www.amazon.com/dp/B0043095WW (Year: 2010).*

(Continued)

Primary Examiner — Shannon W Morgan

Assistant Examiner — Arva P Adams

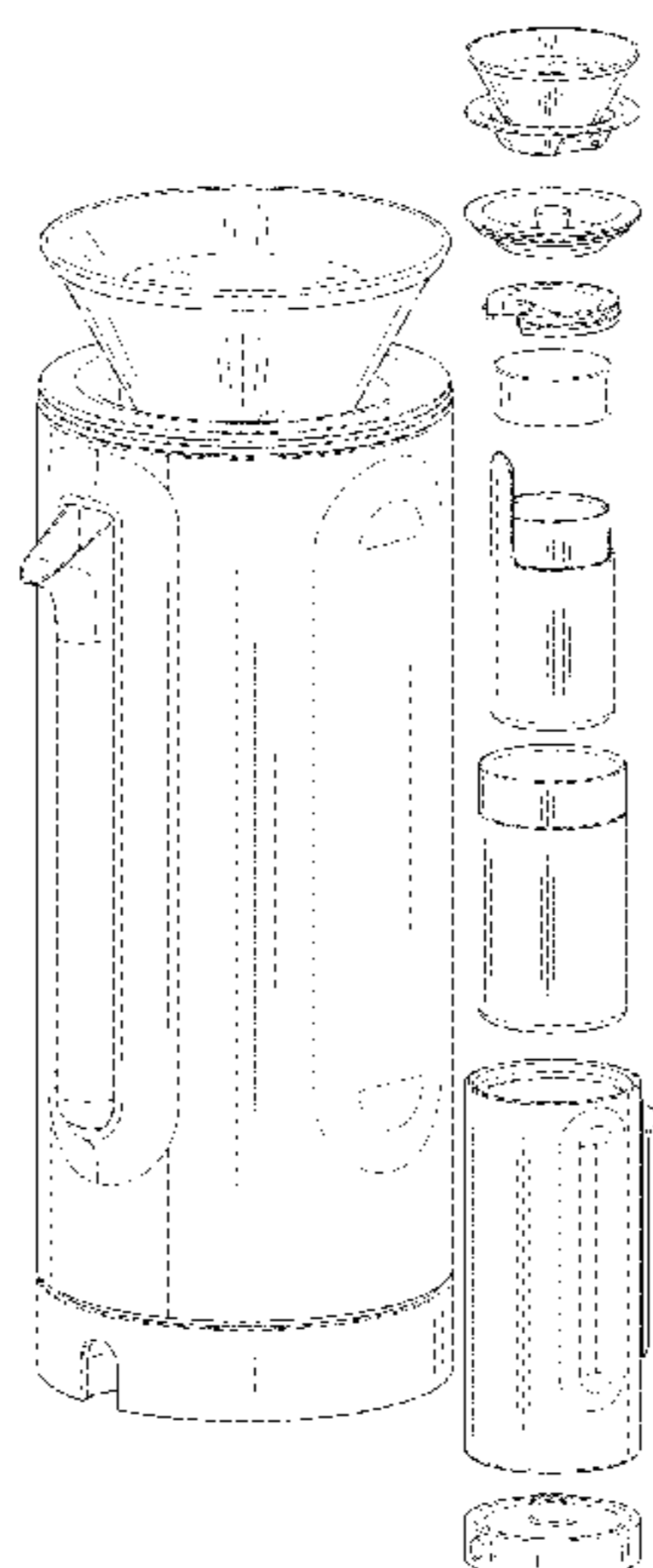
(57) **CLAIM**

The ornamental design for a coffee-making kit, as shown
and described.

DESCRIPTION

FIG. 1 is a front perspective view of a coffee-making kit in
accordance with the subject disclosure.
FIG. 2 is a rear perspective view thereof;
FIG. 3 is a bottom perspective view thereof;
FIG. 4 is a front side view thereof;
FIG. 5 is a left-side view, the right side being a mirror image
thereof;
FIG. 6 is a rear view thereof;
FIG. 7 is a top view thereof;
FIG. 8 is a bottom view thereof;
FIG. 9 is a front-perspective, exploded view thereof;
FIG. 10 is a rear-perspective, exploded view thereof;
FIG. 11 is a right-side, exploded view, the left side exploded
view being a mirror image thereof;
FIG. 12 is a front, exploded view thereof; and,
FIG. 13 is a rear, exploded view thereof.

1 Claim, 12 Drawing Sheets



(58) **Field of Classification Search**

CPC 31/56; A47J 2203/00; A47J 19/00; A47J 19/02; A47J 19/023; A47J 19/027; A47J 19/05; A47J 19/06; A47J 27/60; A47J 27/04; A47J 42/50; B65D 83/0055; B65D 35/14; B65D 35/36; B65D 35/46; B65D 2581/3409; B65D 85/804; B65D 85/8043; B67C 11/02; B67C 11/06; B65B 39/00; H01J 9/26

See application file for complete search history.

2010/0263548 A1* 10/2010 Kokatsu A47J 31/02
99/306
2011/0308667 A1* 12/2011 Gallegos B65B 39/00
141/340
2015/0090130 A1* 4/2015 Cheung A23N 1/02
99/510
2016/0029831 A1 2/2016 Beckman et al.
2016/0235249 A1* 8/2016 Teahan A47J 42/38
2016/0366852 A1* 12/2016 Burroughs A01K 7/00
2017/0231418 A1* 8/2017 Bebo A47J 31/0626
99/323
2019/0208949 A1* 7/2019 Tsigounis A47J 31/4407

(56) **References Cited**

U.S. PATENT DOCUMENTS

3,334,574 A * 8/1967 Douglas A47J 31/02
99/304
3,985,069 A * 10/1976 Cavalluzzi A47J 31/02
99/295
D346,877 S * 5/1994 Melograno D27/168
D353,075 S * 12/1994 Littmann D7/373
D359,661 S * 6/1995 Joergensen B67C 11/02
D7/679
D363,411 S * 10/1995 Mock B65B 39/00
D7/372
D365,245 S * 12/1995 Joergensen D7/373
D369,945 S * 5/1996 Mulyanto D7/318
D381,866 S * 8/1997 St-Gelais D7/300
5,921,296 A * 7/1999 Porter B67C 11/02
141/340
D500,427 S * 1/2005 Fung D7/373
D564,832 S * 3/2008 Bodum D7/399
D580,696 S * 11/2008 Bodum D7/316
D585,233 S * 1/2009 Bodum D7/317
D653,905 S * 2/2012 Bodum A47J 31/4407
D7/373
D833,794 S 11/2018 Cuffaro
D895,904 S * 9/2020 Ross A23N 1/02
D30/121
2004/0195412 A1* 10/2004 Yang A47J 42/48
241/169.1

FOREIGN PATENT DOCUMENTS

CN 300794469 * 6/2008
CN 300803031 * 7/2008
GB 2090015 * 3/2000
JP D1338749 * 9/2008
JP D1399390 * 10/2010

OTHER PUBLICATIONS

Escamilla, Rebecca, "Cafflano Klassic, A Portable All-in-One Coffee Maker Tucked Inside a Travel Mug," Apr. 2, 2015, LaughingSquid.com, <https://laughingsquid.com/cafflano-klassic-a-portable-all-in-one-coffee-maker-tucked-inside-a-travel-mug/> (Year: 2015).*

Giannibacoo, "Subline Gadgets: AutoDogMug Dog Water Bottle Bowl," Oct. 29, 2015, Sublime Gadgets, <https://sublinegadgets.wordpress.com/2015/10/29/sublime-gadgets-autodogmug-dog-water-bottle-bowl/> (Year: 2015).*

Roasterjohn, "The coffee traveler: Trailside / Road Warrior brewing kit," Aug. 8, 2016, Dark Hollow Micro Roasters, <https://darkhollowmicroroasters.com/category/uncategorized/> (Year: 2016).*

Underwater Arduino Data Loggers, "Developing an Arduino weatherstation . . .", Oct. 11, 2017, TheCavePearlProject.org, <https://thecavepearlproject.org/2015/06/15/developing-an-arduino-based-weather-station/> (Year: 2017).*

Kruger Home, "Travel Coffee Maker with Mug," Aug. 15, 2017, Amazon.com, www.amazon.com/dp/B074TK1DBZ (Year: 2017).*

List, Jenny, "A 3D-Printed Coffee Grinder," Sep. 7, 2017, Hackaday, <https://hackaday.com/tag/coffee-grinder/> (Year: 2017).*

* cited by examiner

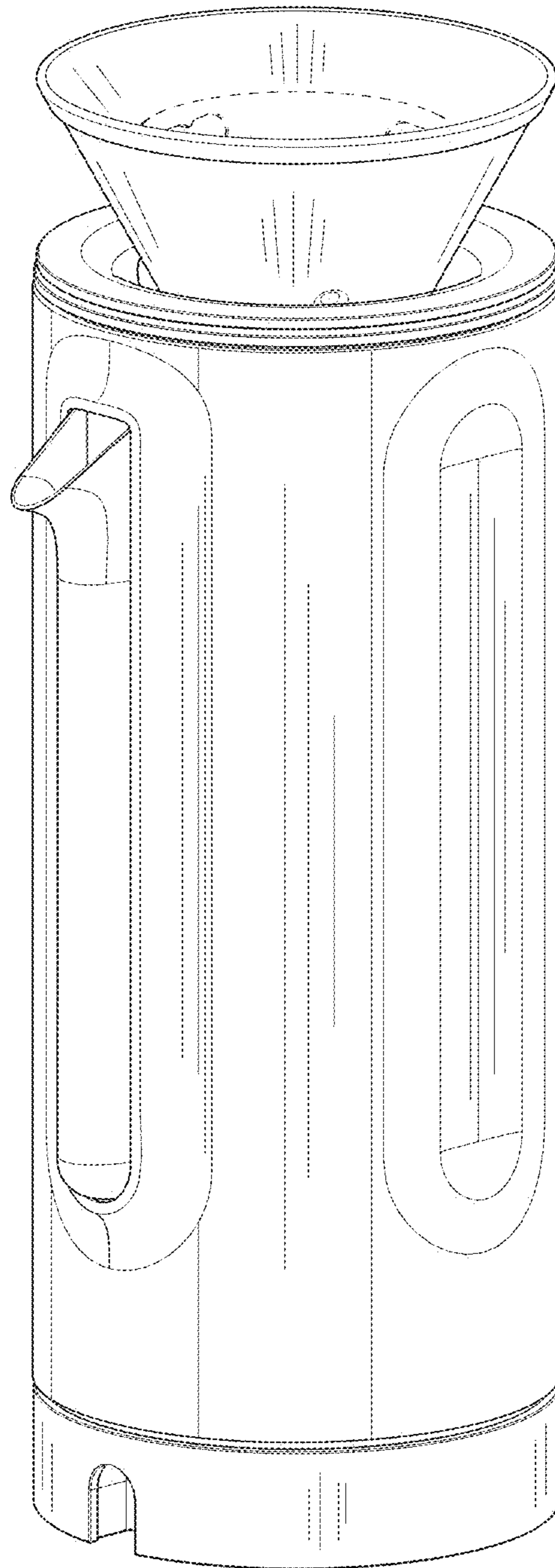


FIG. 1

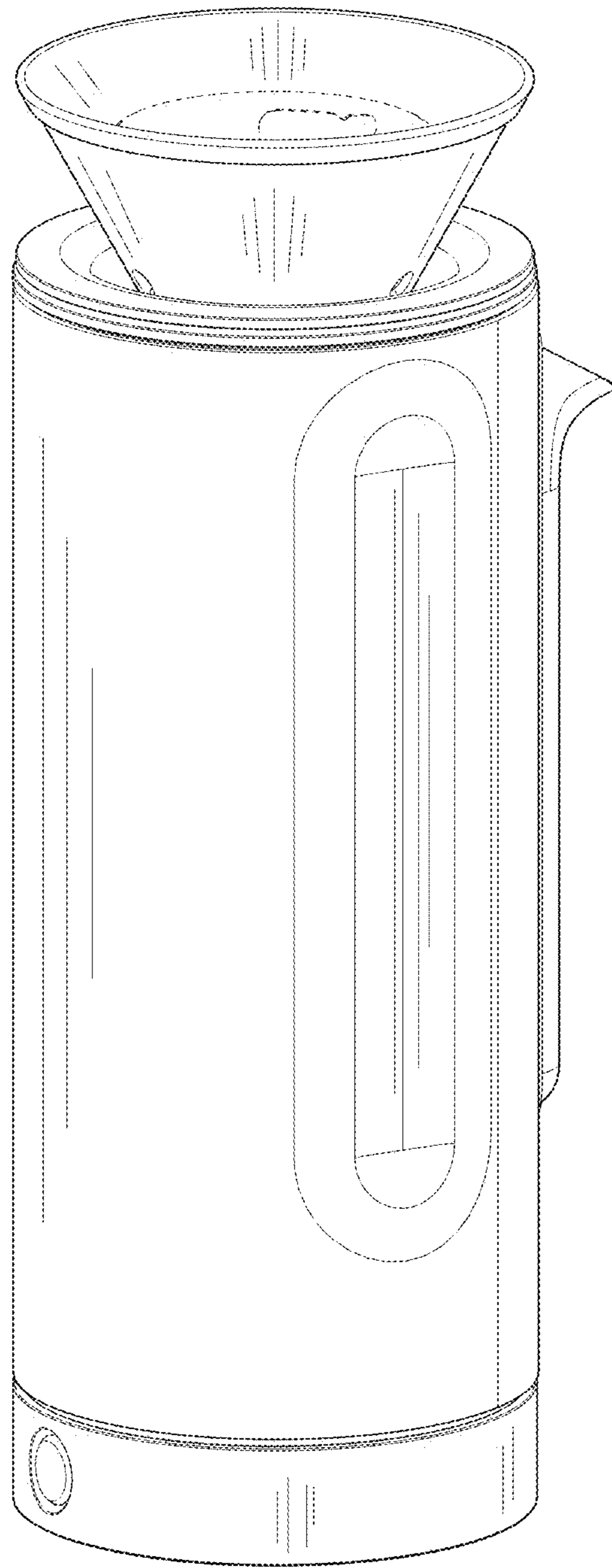


FIG. 2

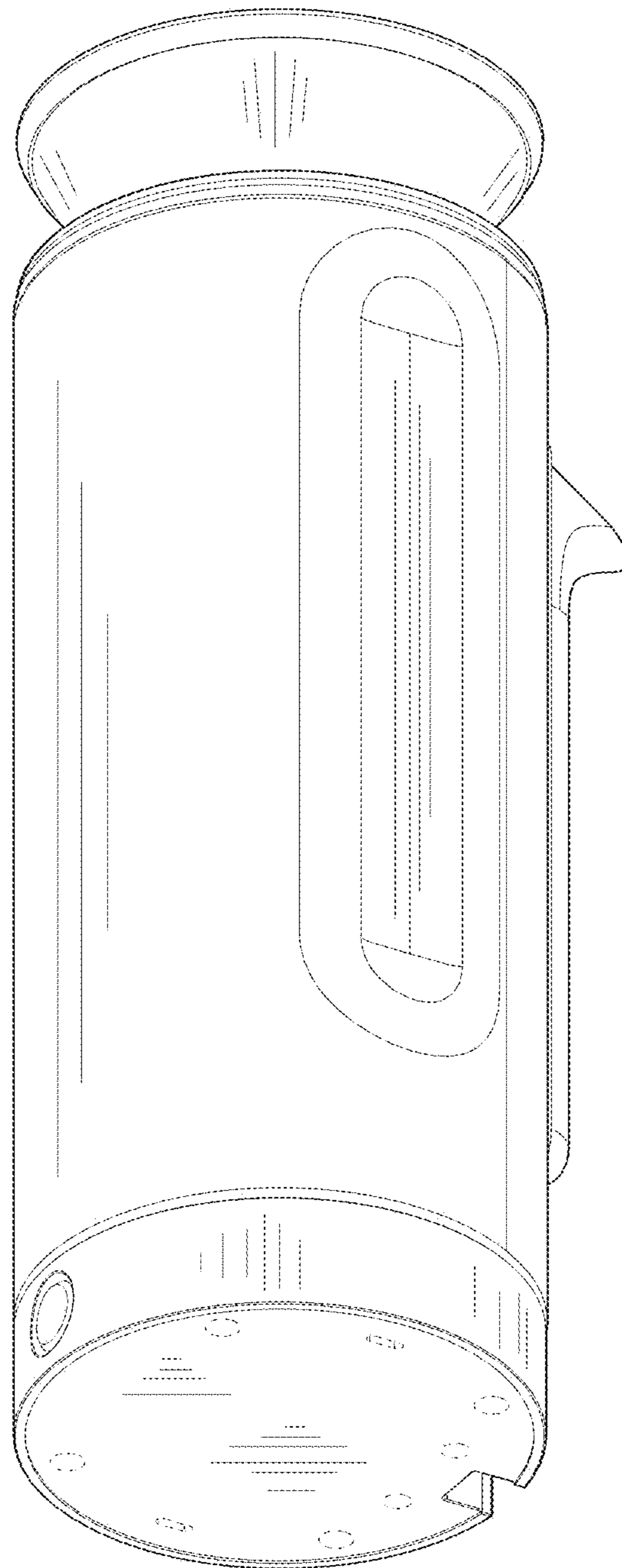


FIG. 3

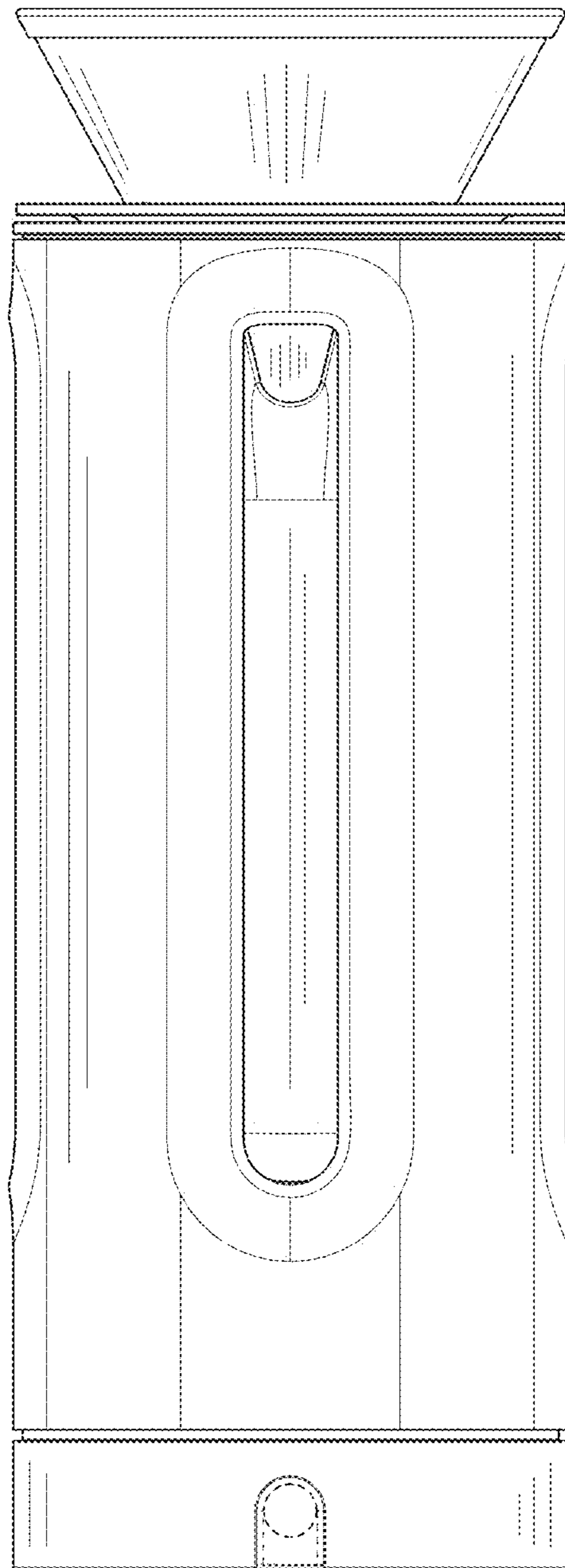


FIG. 4

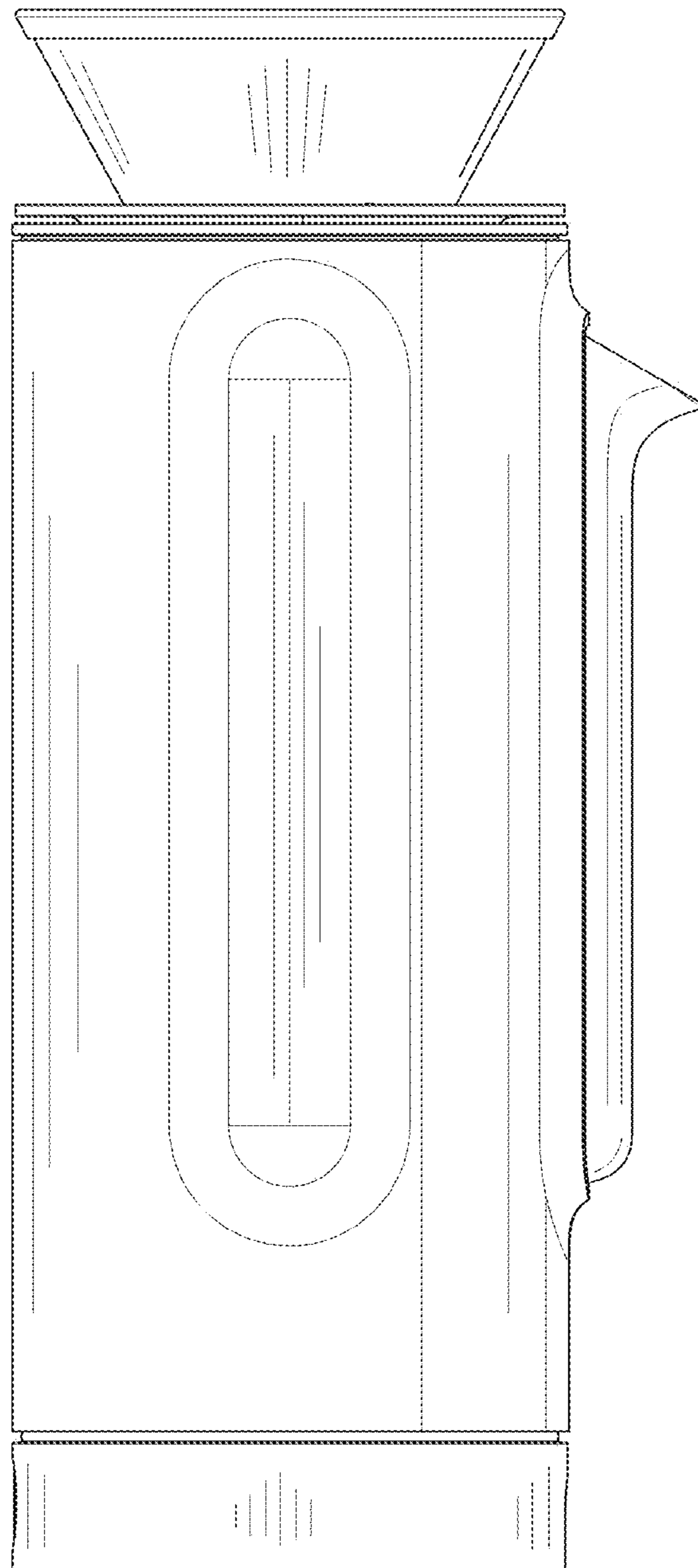


FIG. 5

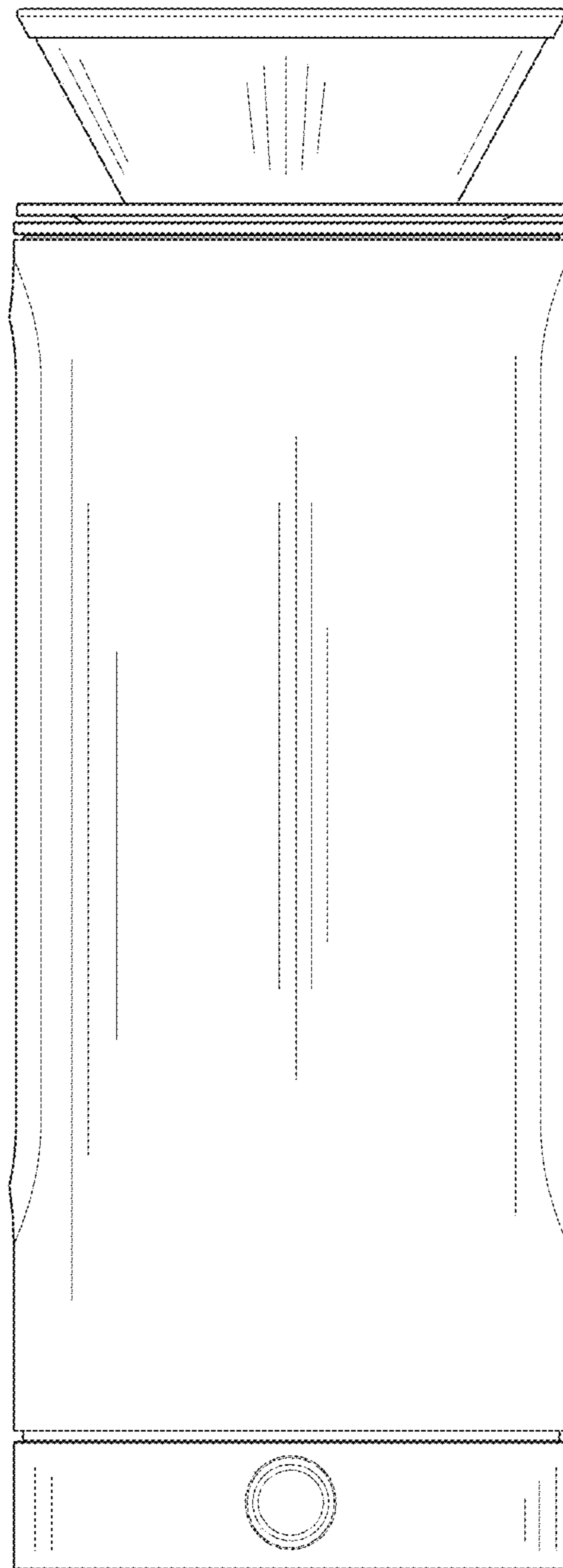


FIG. 6

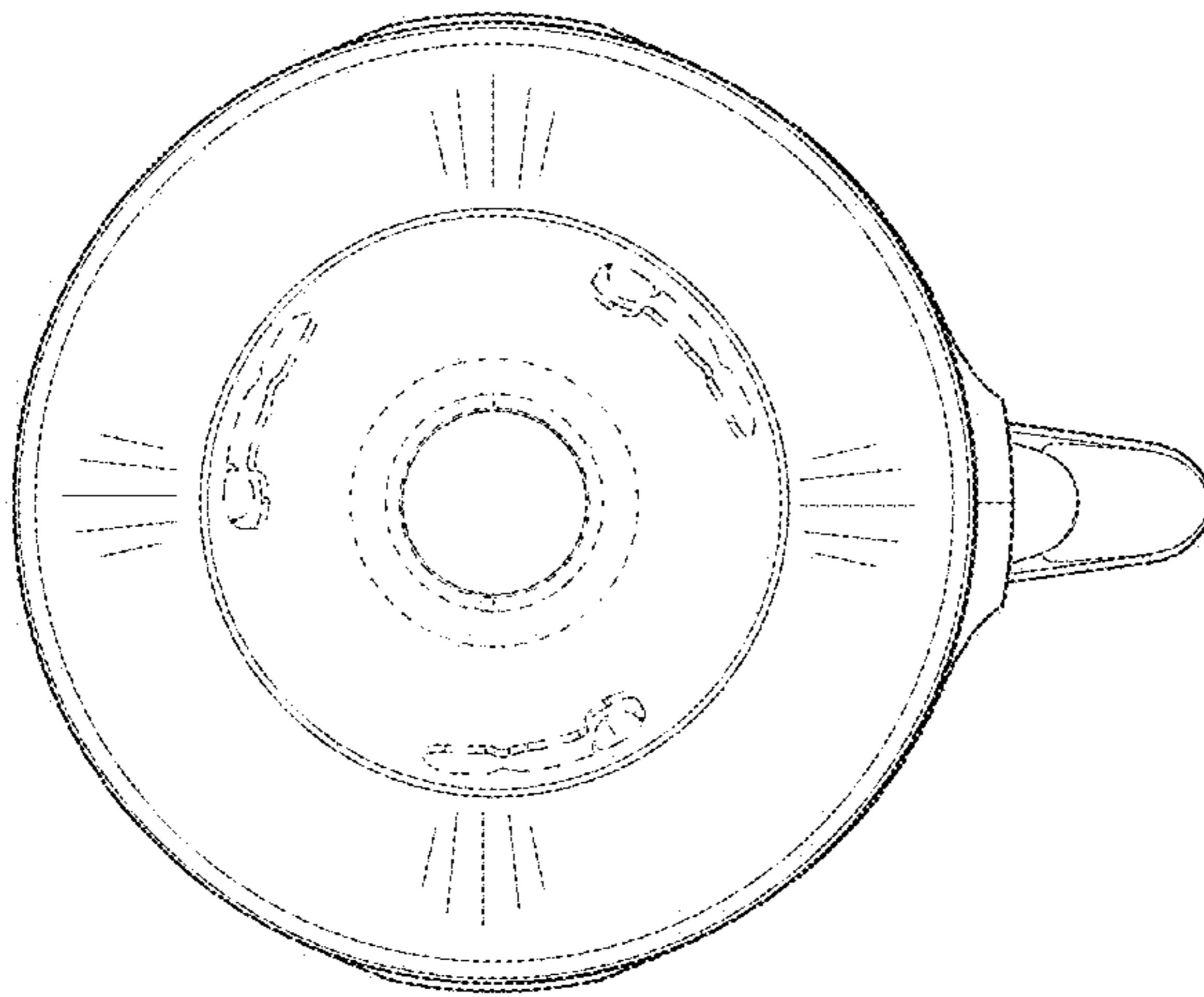


FIG. 7

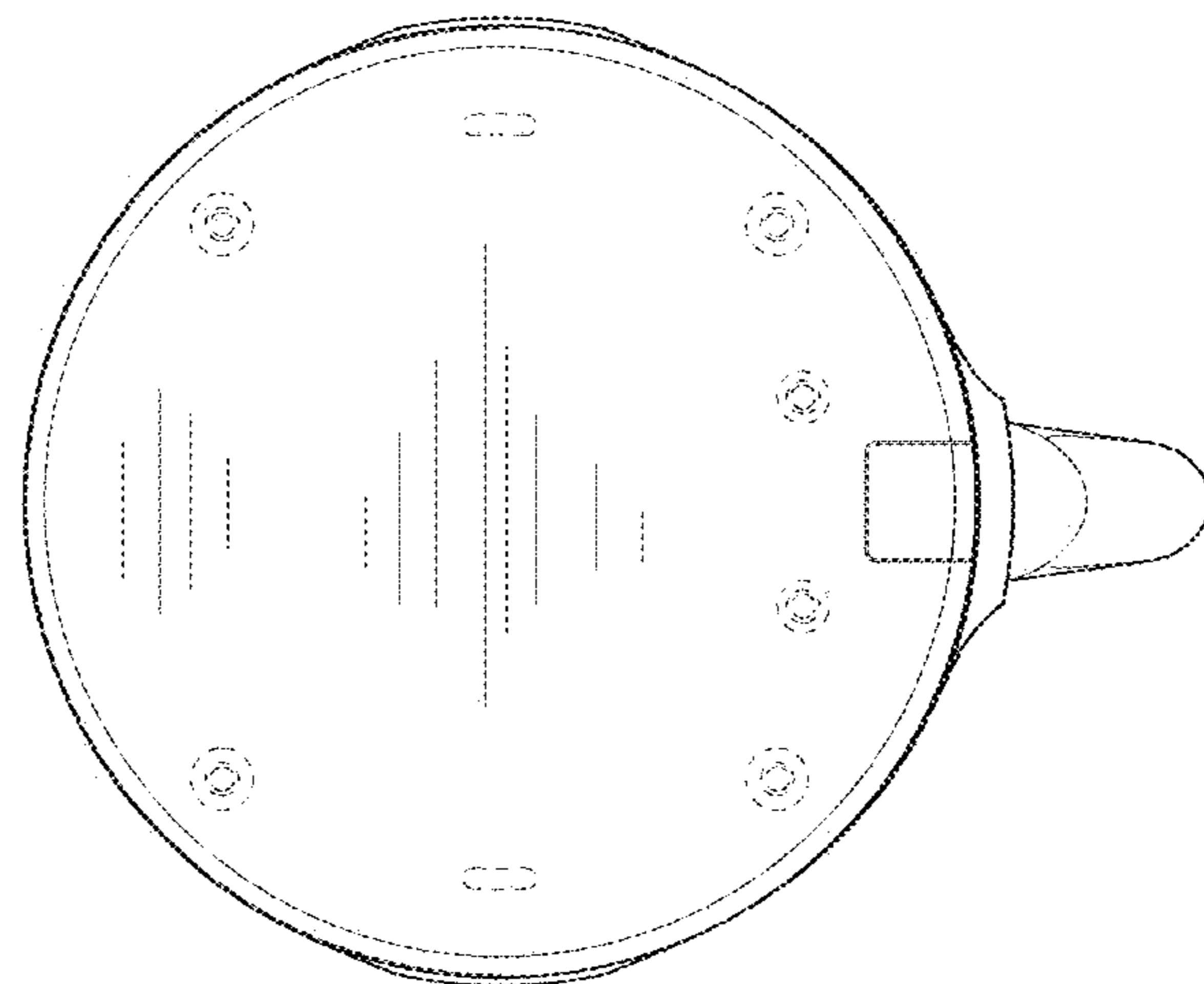


FIG. 8

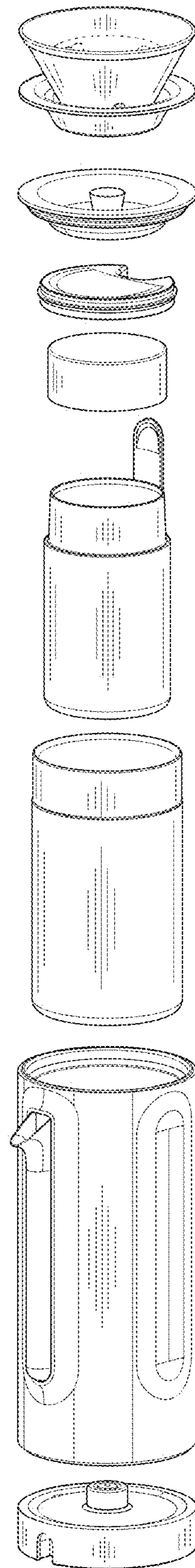


FIG. 9



FIG. 10

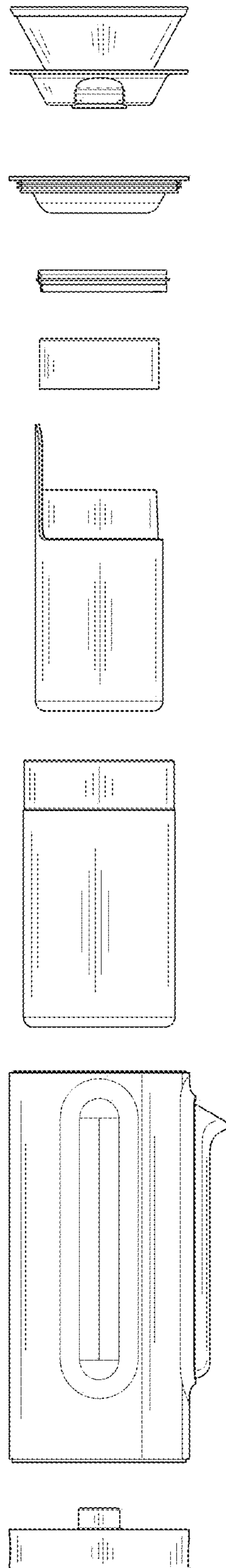


FIG. 11

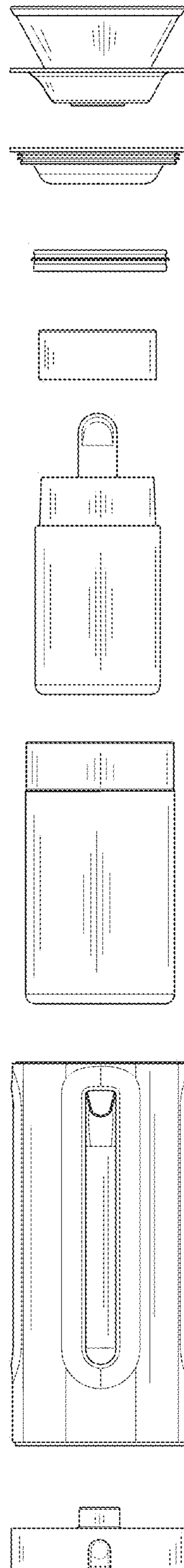


FIG. 12

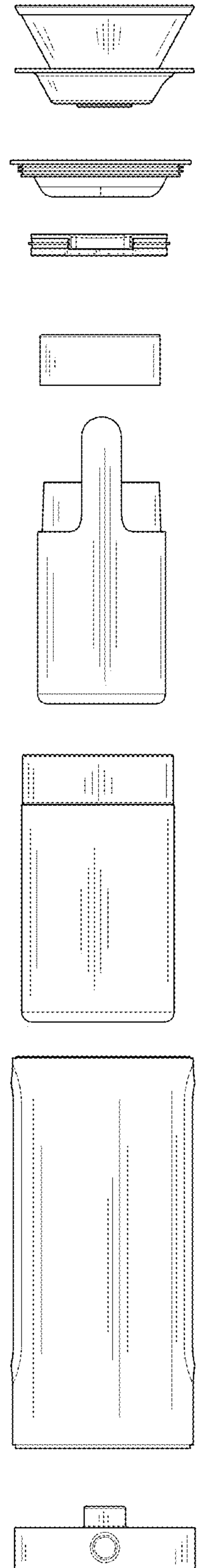


FIG. 13