



US00D945809S

(12) **United States Design Patent** (10) **Patent No.:** **US D945,809 S**
Gates (45) **Date of Patent:** **** Mar. 15, 2022**

(54) **WATER COOLER**
(71) Applicant: **LVD Acquisition, LLC**, Columbus, OH (US)
(72) Inventor: **Jared Robert Gates**, Worthington, OH (US)

D582,194 S * 12/2008 Wang D7/306
D643,666 S * 8/2011 Yui D7/307
D651,842 S * 1/2012 Spear D7/306
D660,636 S * 5/2012 Wang D7/306
D700,795 S * 3/2014 Yui D7/305
D717,091 S * 11/2014 Suzuki D7/309
D759,194 S * 6/2016 Wei D23/207

(Continued)

(73) Assignee: **LVD ACQUISITION, LLC**, Columbus, OH (US)

FOREIGN PATENT DOCUMENTS

(**) Term: **15 Years**

CN 306121180 * 10/2020

(21) Appl. No.: **29/807,688**

OTHER PUBLICATIONS

(22) Filed: **Sep. 14, 2021**

Oasis International Inc Maxxfill Flex, Oasis Coolers, [online], [site visited Oct. 8, 2021], Available from internet URL: <https://www.oasiscoolers.com/index.php/products/bottle/maxxfill-flex.html> (Year: 2021).*

Related U.S. Application Data

(62) Division of application No. 29/712,495, filed on Nov. 8, 2019, now Pat. No. Des. 932,225.

Primary Examiner — Christian P. McLean

(51) **LOC (13) Cl.** **07-01**

Assistant Examiner — Natalya M Rapundalo

(52) **U.S. Cl.**
USPC **D7/306**

(74) *Attorney, Agent, or Firm* — Standley Law Group LLP

(58) **Field of Classification Search**
USPC D7/300, 304–313, 387, 397; D20/1, 4, 5; D23/200, 201; D30/121, 132; 239/24, 239/28
CPC A47J 31/00; A47J 31/007; A47J 31/40; A47J 31/44; A47J 31/4425; A47J 31/46; A47J 31/50; B67D 1/0003; B67D 1/0004; B67D 1/0009; B67D 1/06; B67D 1/0857; B67D 3/00; B67D 3/0003; B67D 3/0009; B67D 3/0029; B67D 3/0032; B67D 3/0035; B67D 3/0038; E03B 9/20; F25D 31/002

(57) **CLAIM**

The ornamental design for a water cooler, as shown and described.

See application file for complete search history.

DESCRIPTION

FIG. 1 is a front perspective view of a water cooler of the present invention;
FIG. 2 is a front elevation view thereof, the rear elevation view not shown, as it contains no claimed ornamental features;
FIG. 3 is a right-side elevation view thereof;
FIG. 4 is a left side elevation thereof;
FIG. 5 is a top plan view thereof; and,
FIG. 6 is a bottom plan view thereof.

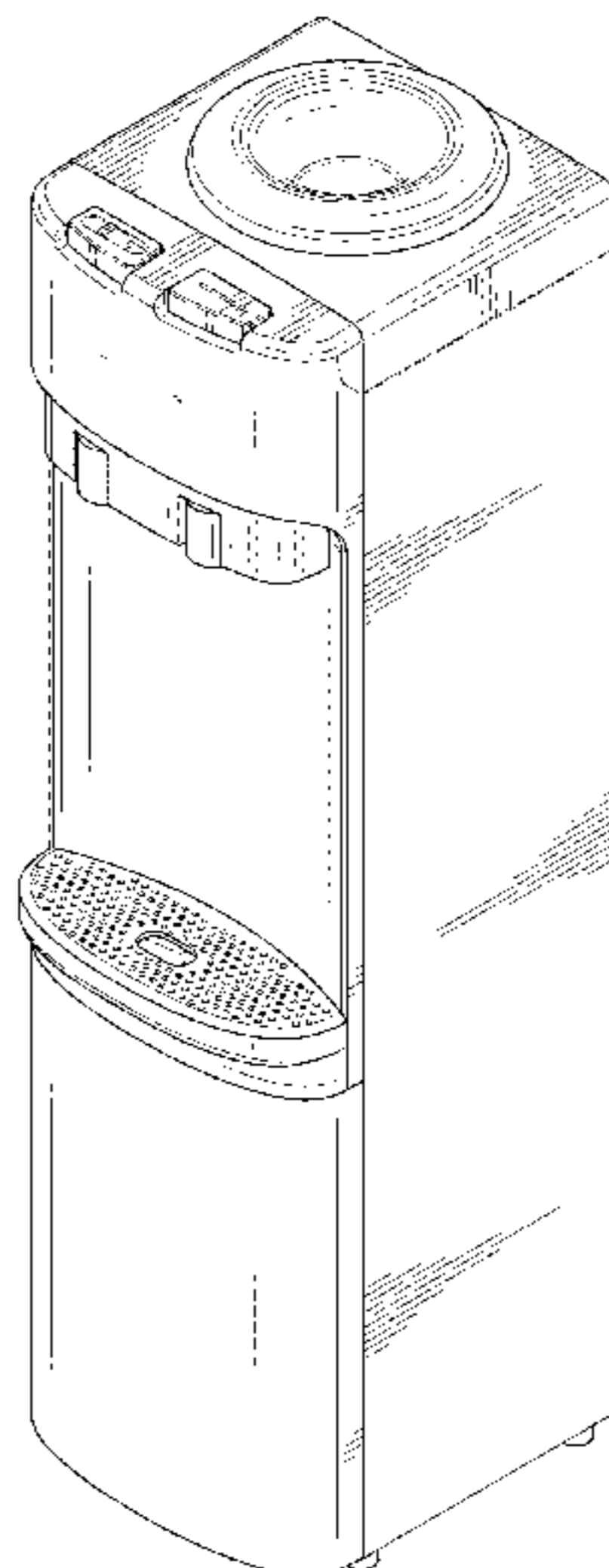
(56) **References Cited**

U.S. PATENT DOCUMENTS

D359,649 S * 6/1995 Salkeld B67D 3/0032 D7/306
5,493,873 A * 2/1996 Donselman B67D 3/00 222/146.1

The broken lines shown in the drawings depict portions of the water cooler that form no part of the claimed design.

1 Claim, 5 Drawing Sheets



(56)

References Cited

U.S. PATENT DOCUMENTS

D795,629 S * 8/2017 Ullman B67D 3/0029
D7/306
D813,346 S * 3/2018 Lee B67D 1/0014
D23/207
D828,709 S * 9/2018 Wang D7/307
D842,966 S * 3/2019 Shin D23/207
D878,134 S * 3/2020 Rubin A01K 1/0356
D7/313
D884,407 S * 5/2020 Tan B67D 3/00
D7/313
D891,845 S * 8/2020 Rummel A47J 31/4403
D7/306
2004/0226313 A1 * 11/2004 Busick B67D 3/0029
62/397
2012/0104031 A1 * 5/2012 McDonald B67D 1/0014
222/1
2013/0334251 A1 * 12/2013 Zheng A47J 31/4403
222/129.1
2015/0068619 A1 * 3/2015 Busick B67D 3/0032
137/433
2016/0362287 A1 * 12/2016 Yui B67D 3/0009
2019/0000046 A1 * 1/2019 Wu A01K 1/0356

* cited by examiner

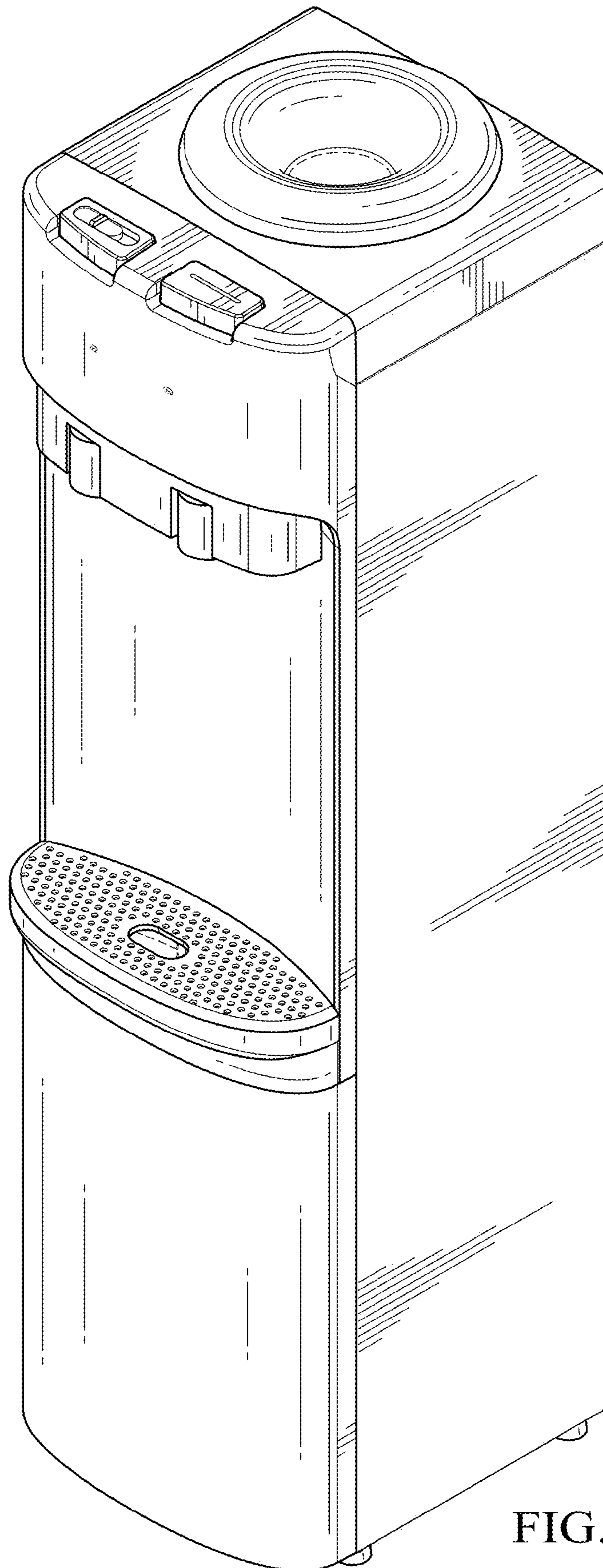


FIG. 1

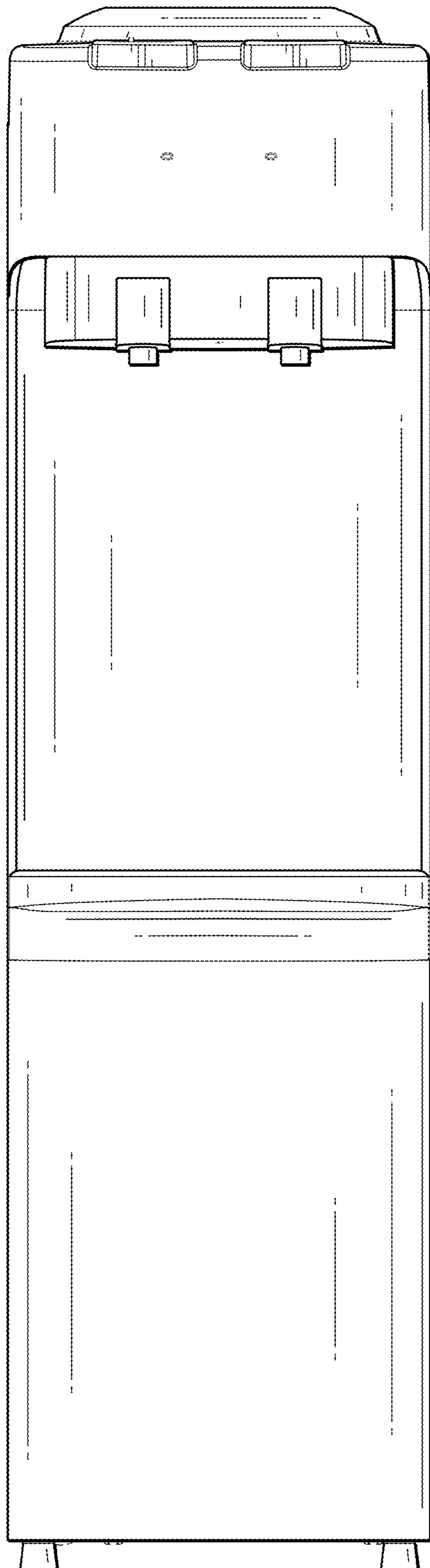


FIG. 2

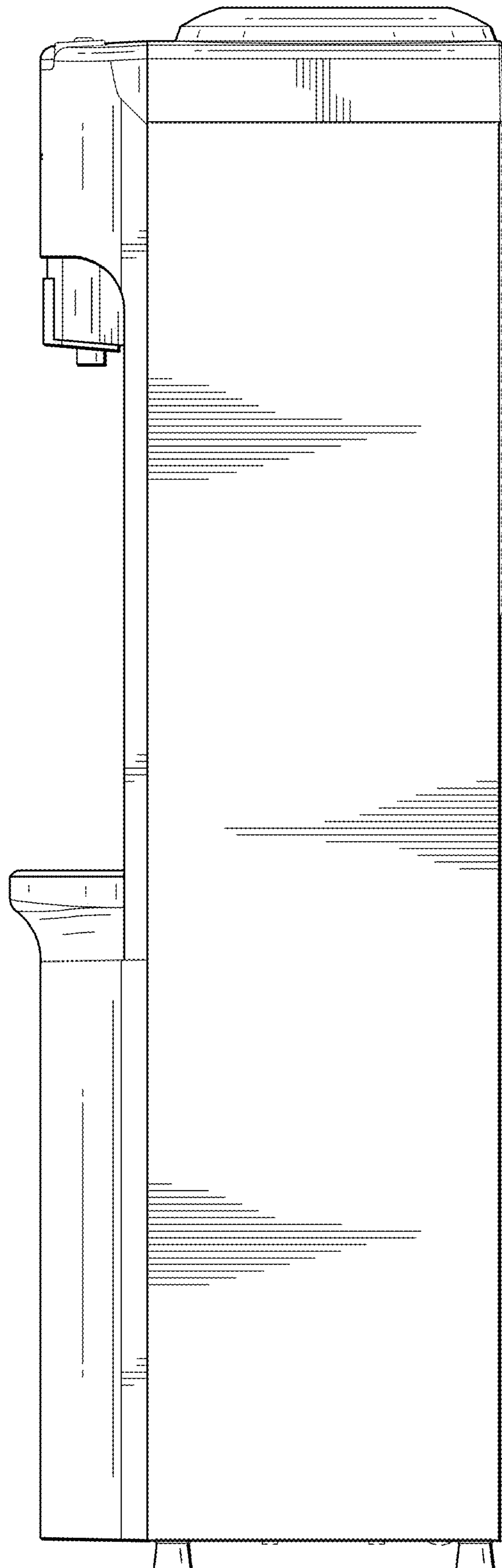


FIG. 3

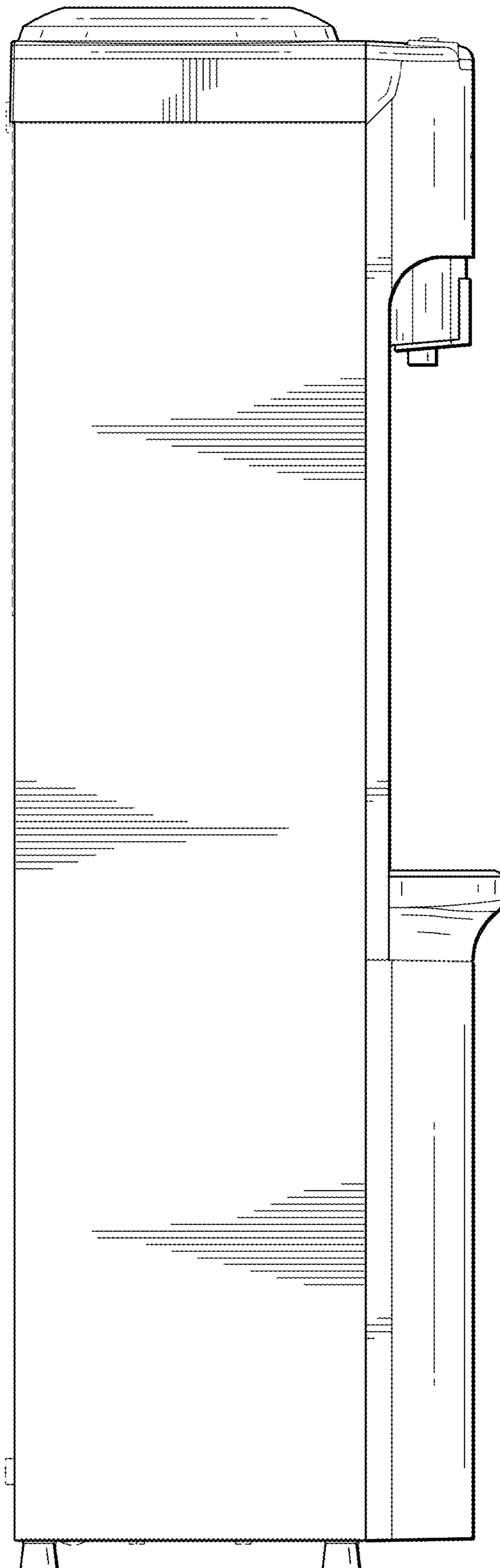


FIG. 4

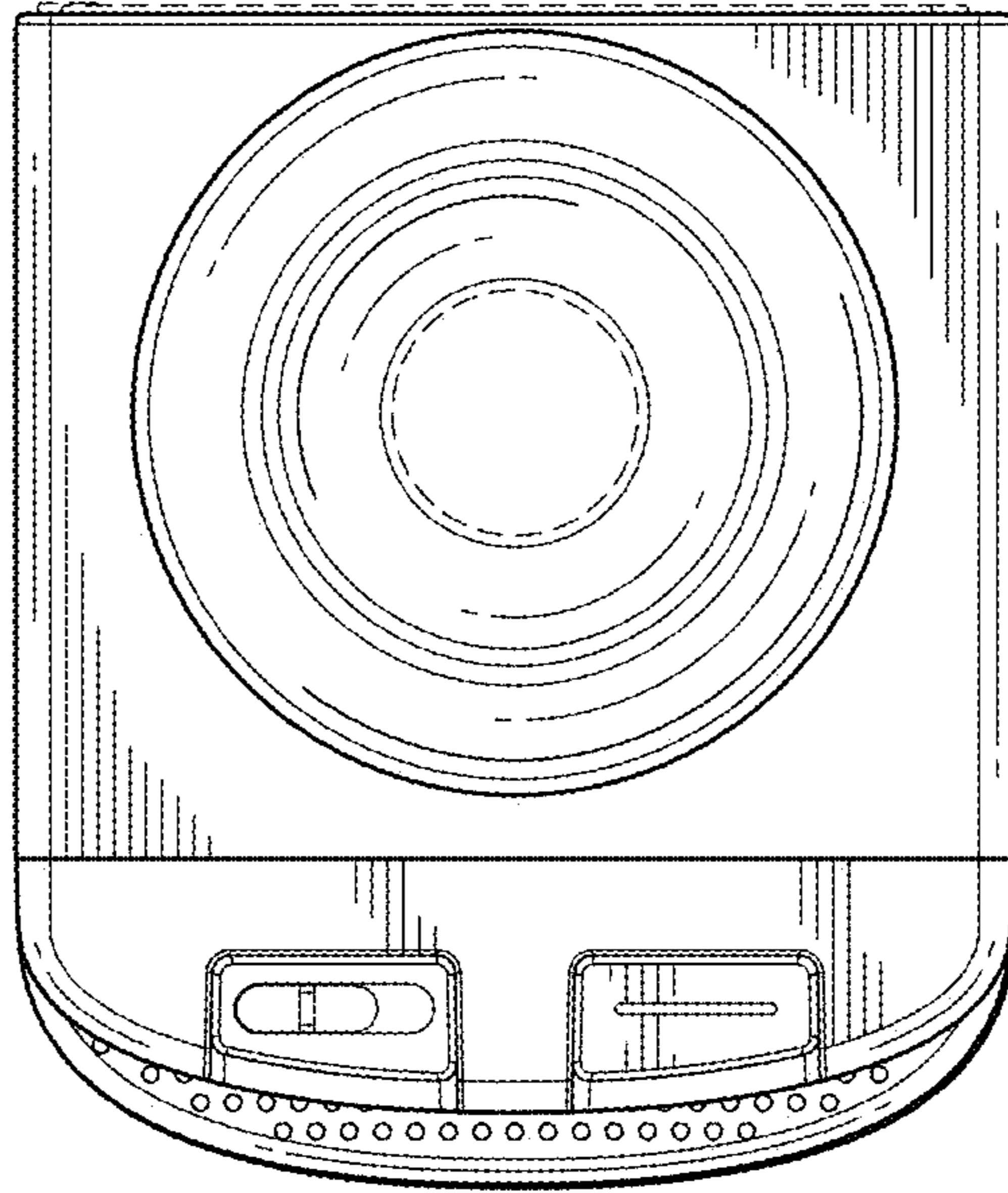


FIG. 5

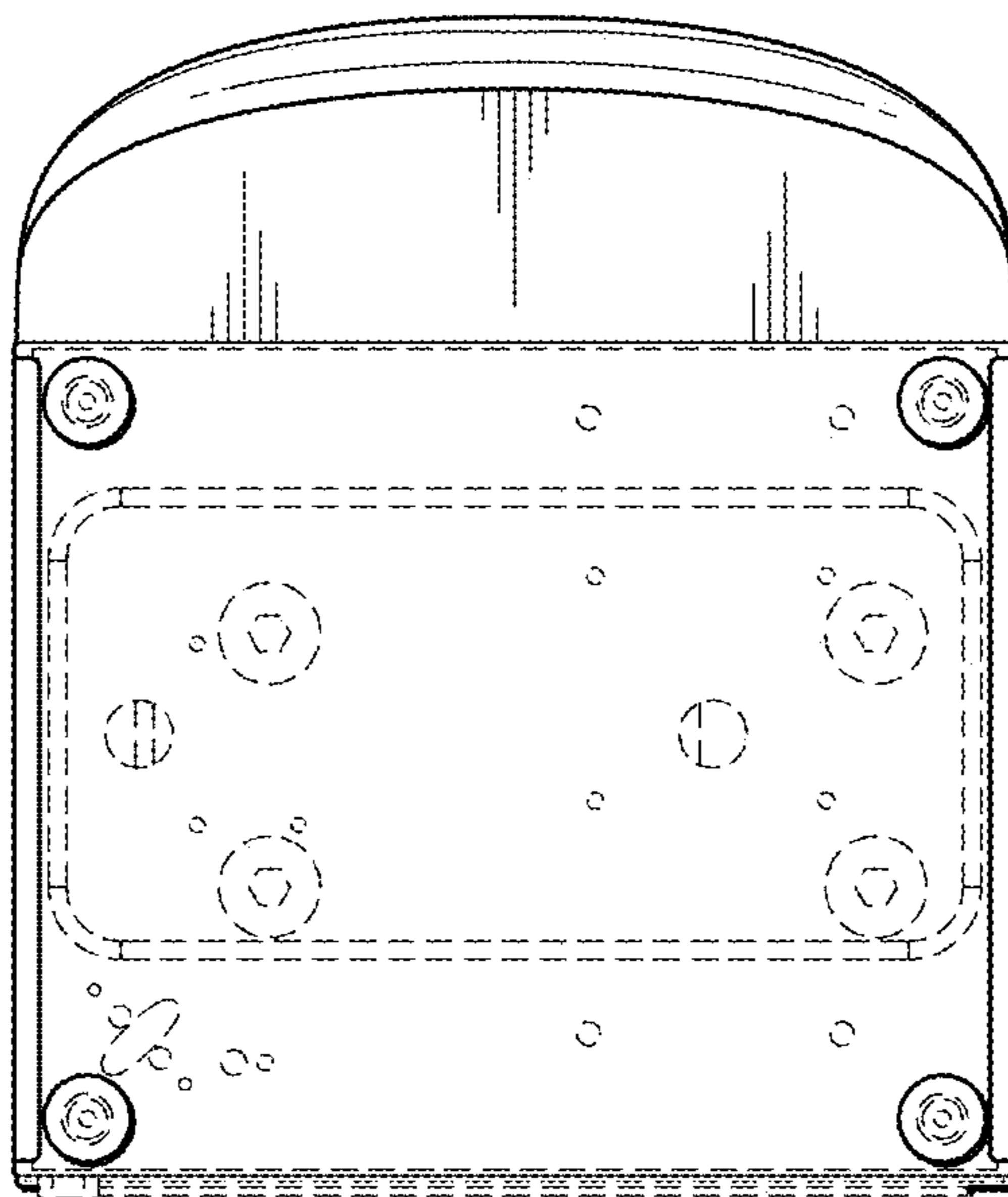


FIG. 6