

US00D945808S

(12) **United States Design Patent** (10) **Patent No.:** **US D945,808 S**
Walton et al. (45) **Date of Patent:** **** Mar. 15, 2022**

(54) **BEVERAGE DISPENSER**

(71) Applicant: **Cardomon International Limited**,
Kowlon (HK)
(72) Inventors: **Philip A. Walton**, Bishop Auckland
(GB); **Dennis Rivard**, Alberta (CA);
Celyn Mitchell, Durham (GB);
Andrew Smith, Durham (GB)

(**) Term: **15 Years**
(21) Appl. No.: **29/732,735**
(22) Filed: **Apr. 27, 2020**

Related U.S. Application Data

(62) Division of application No. 29/638,264, filed on Feb.
26, 2018, now Pat. No. Des. 882,319.
(51) **LOC (13) Cl.** **07-01**
(52) **U.S. Cl.**
USPC **D7/306; D7/397**
(58) **Field of Classification Search**
USPC D7/300-322, 378, 397-400, 602, 603,
D7/700; D9/417, 447, 524-526, 530,
D9/572, 575, 633; D15/81, 82; D20/1;
D23/201, 205, 209, 207; D24/216, 220,
D24/224; D30/121, 132; D34/39;
99/275, 276
CPC A47J 31/00; A47J 31/007; A47J 31/057;
A47J 31/10; A47J 31/3676; A47J 31/40;
A47J 31/402; A47J 31/404; A47J 31/41;
A47J 31/4482; A47J 31/4489; A47J
43/042; A47J 43/27; A47J 2043/04454;
B67D 1/00; B67D 1/0004; B67D 1/0021;
B67D 1/0078; B67D 1/0462; B67D
1/0801; B67D 1/0872; B67D 1/1252;
B67D 2001/0087;

(Continued)

(56) **References Cited**

U.S. PATENT DOCUMENTS

D482,227 S * 11/2003 Walton B67D 7/84
D7/306
D652,668 S * 1/2012 Wang D7/306
(Continued)

OTHER PUBLICATIONS

AquaCafe TOUCH Bottled Water-POU Cooler Data Sheet, first
available Sep. 2018, AquaBeve, [online], [site visited Sep. 7, 2021],
Available from internet URL: <https://www.aquabeve.com/aquacafe>
(Year: 2018).*

(Continued)

Primary Examiner — Mary Ann Calabrese
Assistant Examiner — Natalya M Rapundalo
(74) *Attorney, Agent, or Firm* — Merek, Blackmon &
Voorhees, LLC

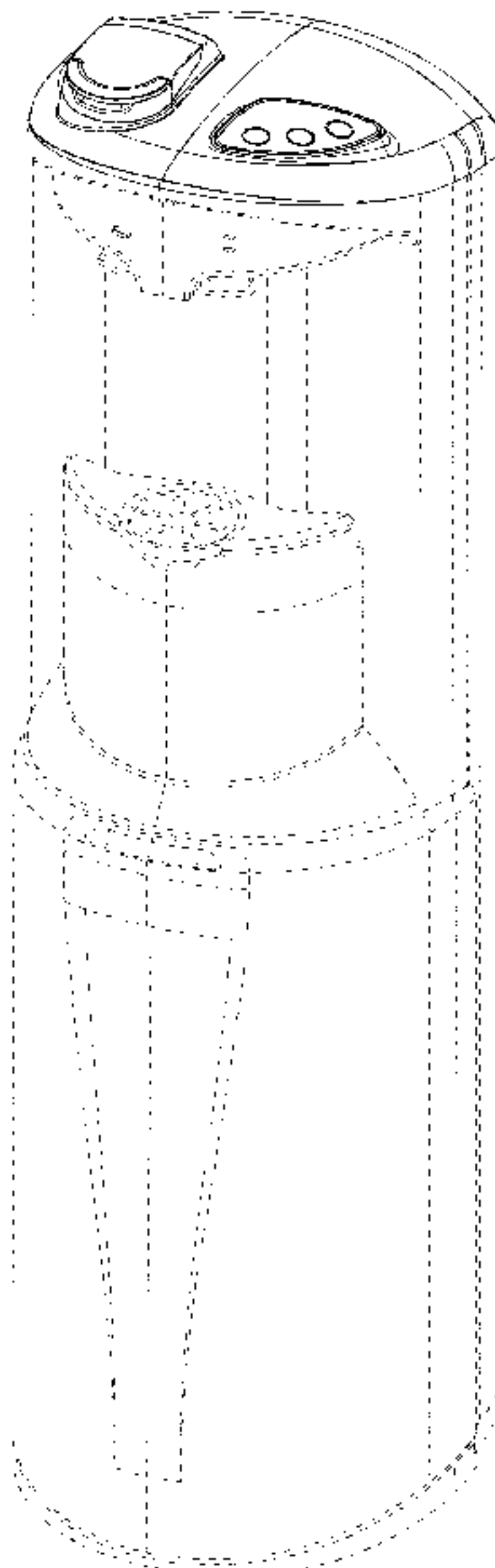
(57) **CLAIM**

The ornamental design for a beverage dispenser, as shown
and described.

DESCRIPTION

FIG. 1 is a front, right side perspective view of a beverage
dispenser;
FIG. 2 is a front elevational view of the beverage dispenser
of FIG. 1;
FIG. 3 is a left side elevational view of the beverage
dispenser shown in FIG. 1;
FIG. 4 is a right side elevational view of the beverage
dispenser shown in FIG. 1;
FIG. 5 is a rear elevational view of the beverage dispenser
shown in FIG. 1;
FIG. 6 is a top plan view of the beverage dispenser shown
in FIG. 1; and,
FIG. 7 is a bottom plan view of the beverage dispenser
shown in FIG. 1.
The broken lines in the drawings represent portions of the
beverage dispenser and form no part of the claimed design.

1 Claim, 7 Drawing Sheets



(58) **Field of Classification Search**

CPC B67D 2001/0098; B67D 2001/0822; B67D
3/0032; B67D 3/0035; B67D 7/82; B67D
7/84; C02F 1/002; C02F 1/003; C12C
11/00; C12C 11/006; C12C 13/10

See application file for complete search history.

(56) **References Cited**

U.S. PATENT DOCUMENTS

D668,904	S	*	10/2012	Walton	D7/313
D677,102	S	*	3/2013	Walton	D7/306
D700,795	S	*	3/2014	Yui	D7/305
D846,328	S	*	4/2019	Tan	D7/306
D846,933	S	*	4/2019	Li	D7/306
D862,148	S	*	10/2019	Broen	D7/313
D882,319	S		4/2020	Walton et al.		
D882,320	S	*	4/2020	Wang	D7/306
D932,225	S	*	10/2021	Gates	D7/306
2005/0072813	A1	*	4/2005	Walton	B67D 1/0872 222/464.3
2020/0024122	A1	*	1/2020	Walton	B67D 7/84

OTHER PUBLICATIONS

AquaBarista, Water.com, [online], [site visited Aug. 30, 2021],
Available from internet URL: https://www.water.com/files/nonbrand/equipmentdocs/AquaBarista_SpecSheet.pdf (Year: 2021).*

* cited by examiner

FIG. 1

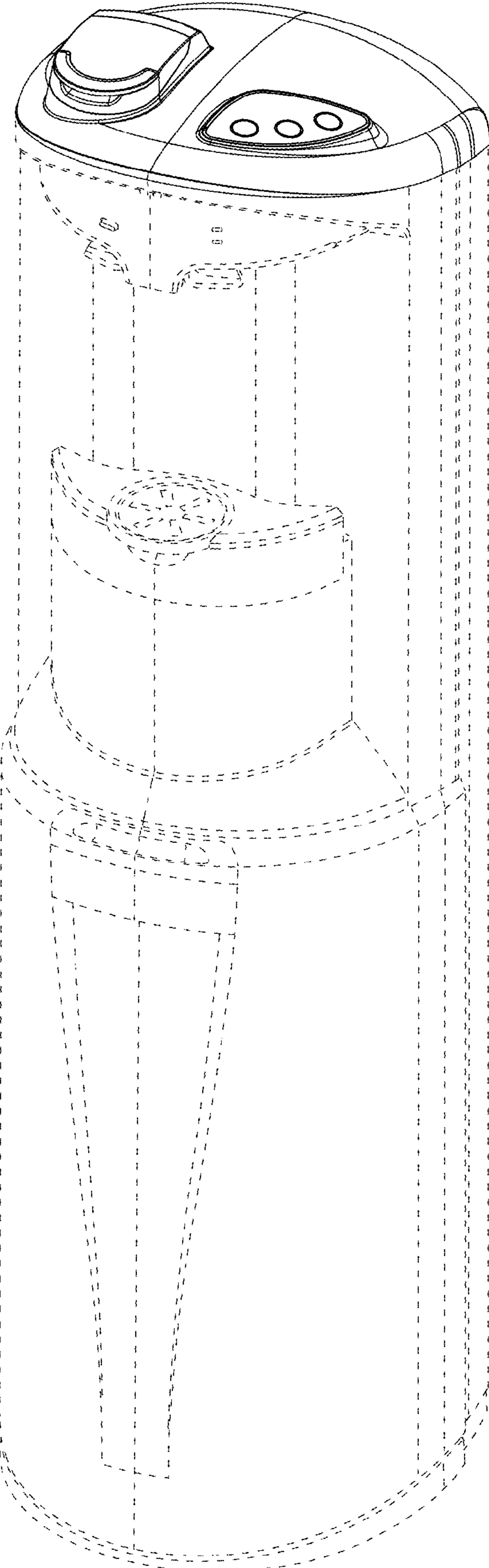


FIG. 2

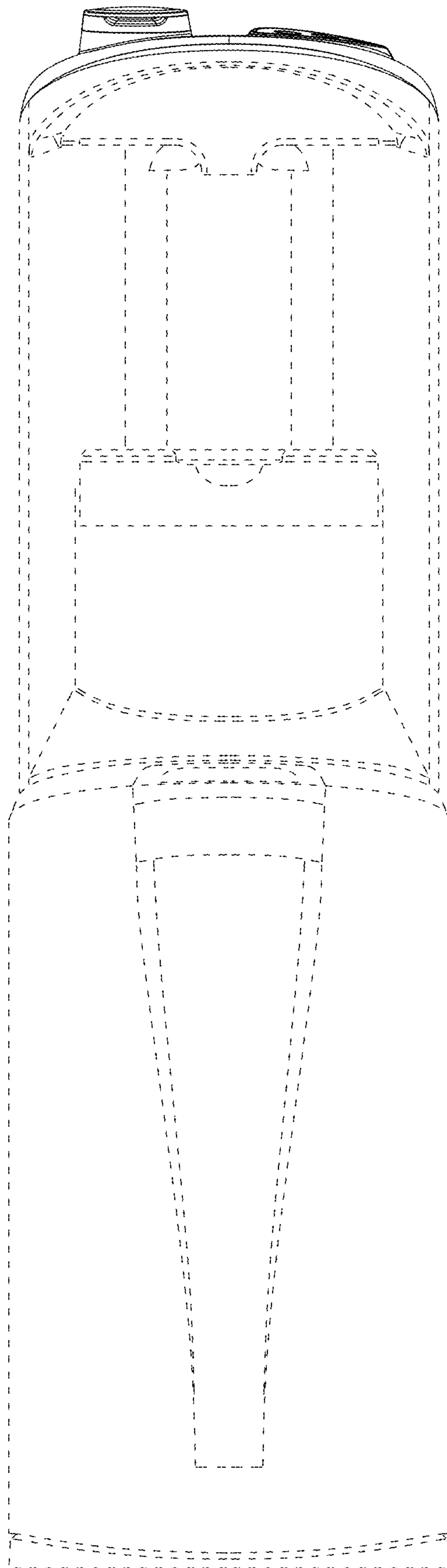


FIG. 3

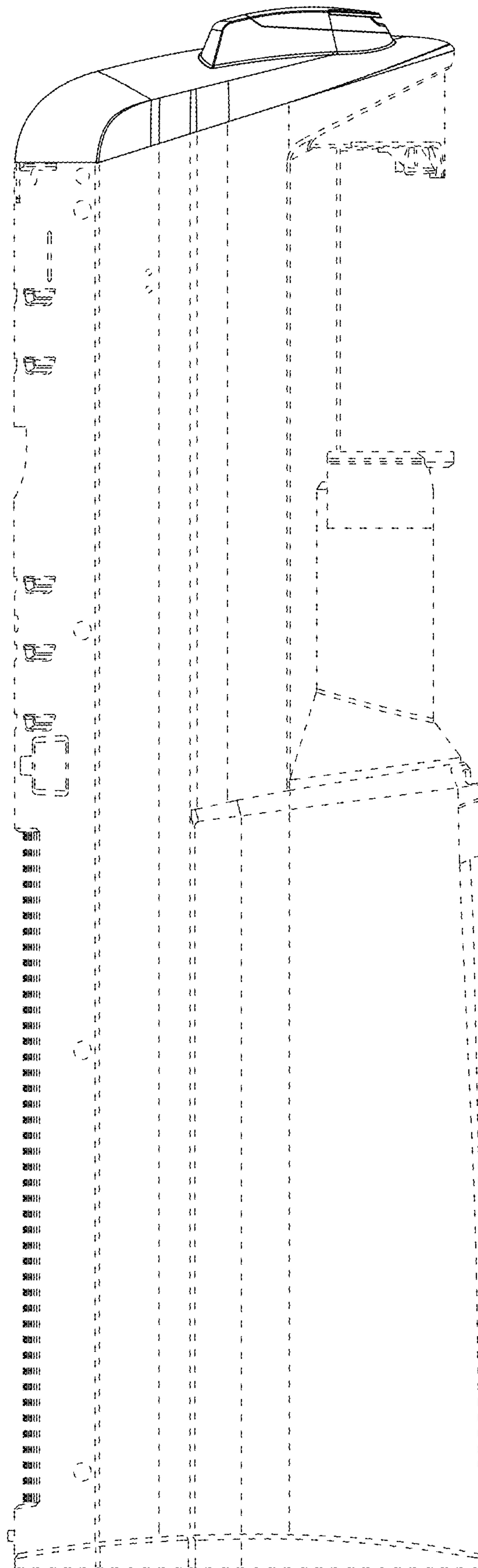


FIG. 4

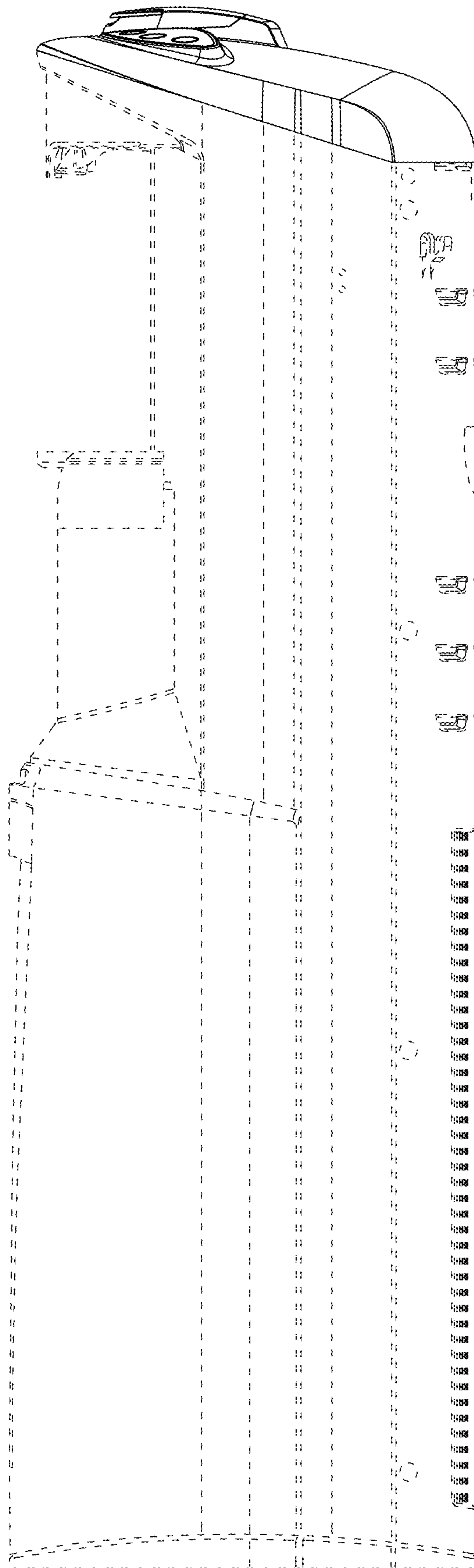
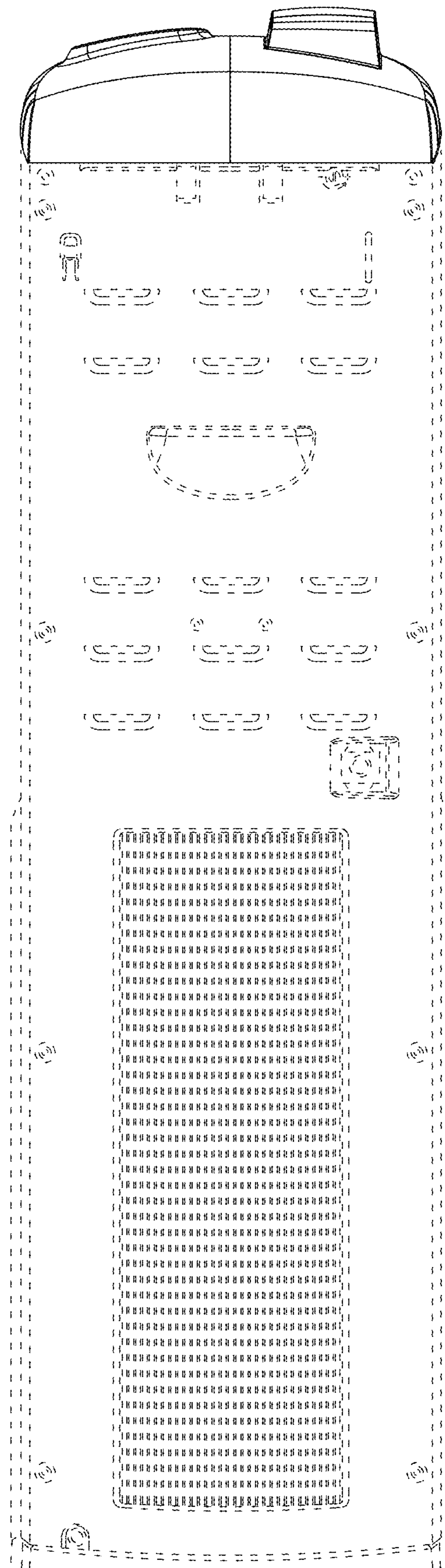


FIG. 5



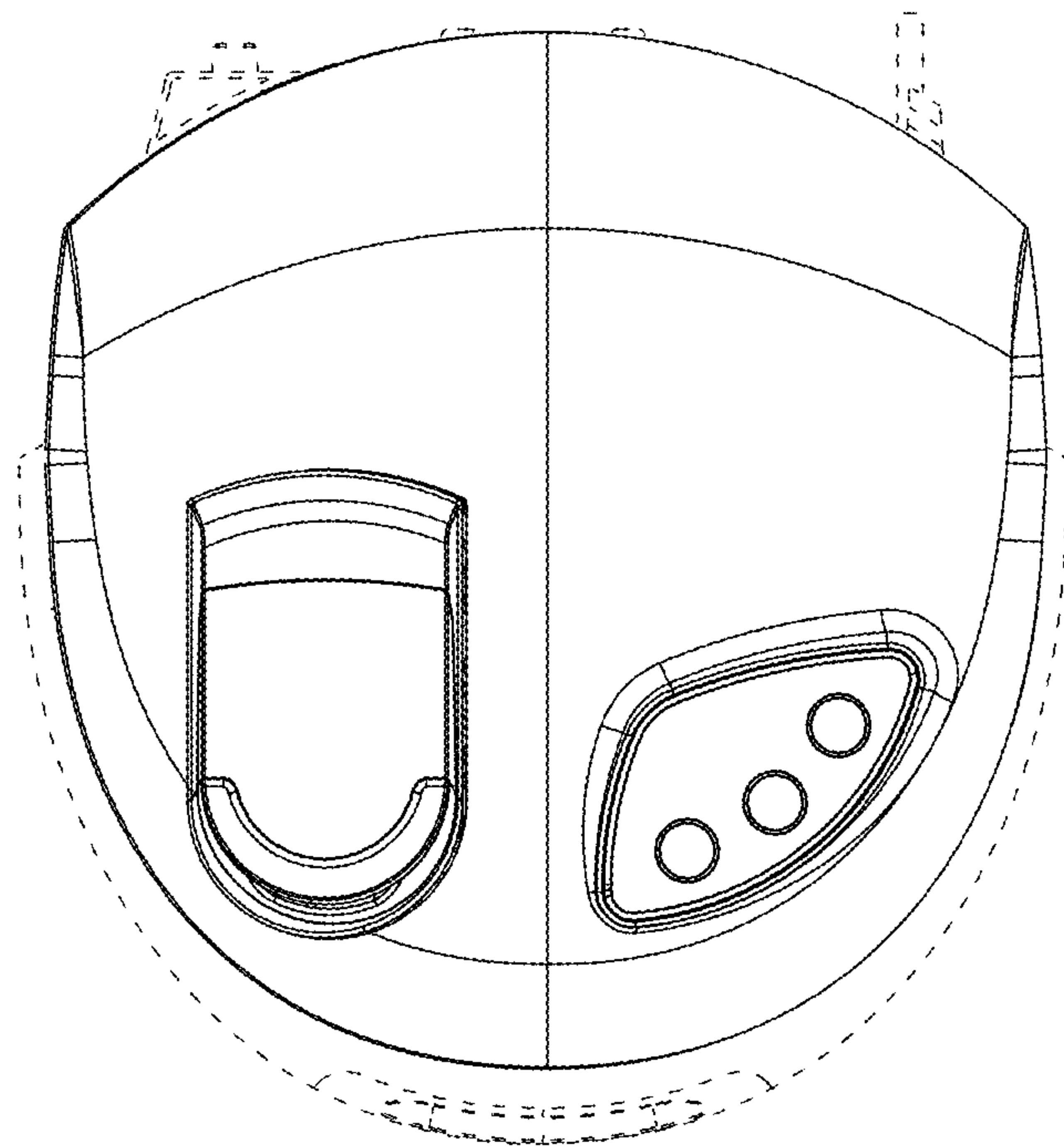


FIG. 6

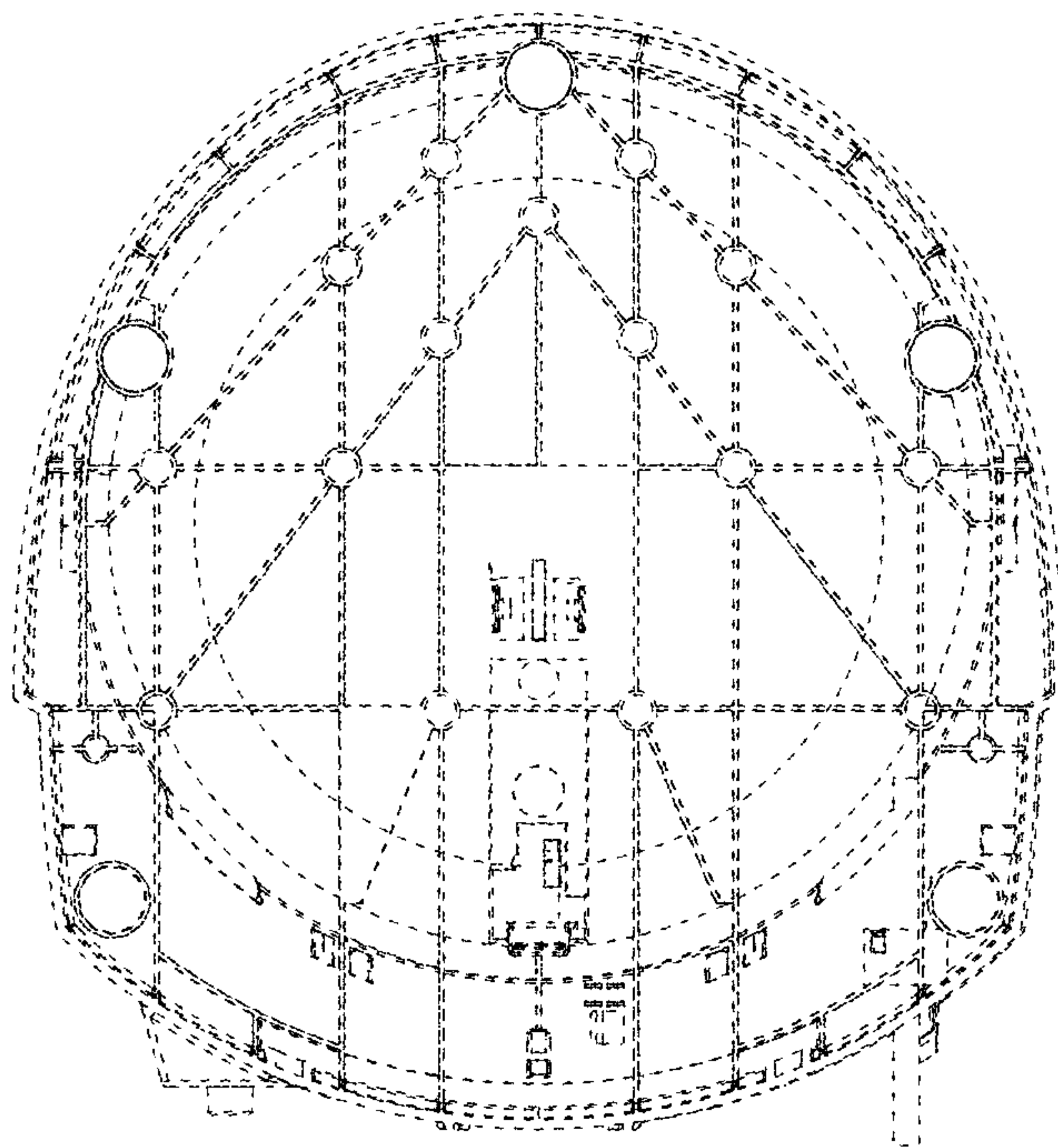


FIG. 7