



US00D945804S

(12) **United States Design Patent**
Casas

(10) **Patent No.:** **US D945,804 S**
(45) **Date of Patent:** **** Mar. 15, 2022**

- (54) **TABLE**
- (71) Applicant: **Volvo Bus Corporation**, Gothenburg (SE)
- (72) Inventor: **Fernando Casas**, Tultepec (MX)
- (73) Assignee: **VOLVO BUS CORPORATION**, Gothenburg (SE)
- (**) Term: **15 Years**
- (21) Appl. No.: **29/716,646**
- (22) Filed: **Dec. 11, 2019**
- (51) **LOC (13) Cl.** **06-03**
- (52) **U.S. Cl.**
USPC **D6/686; D6/691.3; D6/697**
- (58) **Field of Classification Search**
USPC ... D6/685, 686, 690, 691, 691.1-691.9, 696, D6/696.1-696.7, 697, 697.1, 697.2, 702, D6/707, 707.19, 707.22; D7/602, 701; D12/400, 426.1; D21/397
CPC .. A47B 3/00; A47B 3/06; A47B 3/012; A47B 5/00; A47B 5/06; A47B 7/00; A47B 13/00; A47B 13/02; A47B 13/04; A47B 13/06; A47B 13/08; A47B 13/10; A47B 13/12; A47B 13/16; A47B 31/00; A47B 31/06; A47B 37/04; A47B 81/00; A47B 81/04; A47B 2200/0001; A47B 2200/0011; A47B 2200/002; A47G 23/03; A47G 23/06; A47G 23/0608; A47G 23/0641; B60N 3/002
See application file for complete search history.

- 5,170,720 A * 12/1992 Scheurer B60N 3/002 108/132
- D359,398 S * 6/1995 Jaykus D12/415
- 5,918,550 A * 7/1999 Weir A47B 5/06 108/42

(Continued)

OTHER PUBLICATIONS

Table Top With Cup Holders—Shop4Seats.com <https://shop4seats.com/rv-furniture/dinettes/dinette-hardware/table-top-wtih-cup-holders.html> retrieved from the internet on Nov. 22, 2021.*

Primary Examiner — Mary Ann Calabrese
(74) *Attorney, Agent, or Firm* — Tucker Ellis LLP

(57) **CLAIM**

The ornamental design for a table, as shown and described.

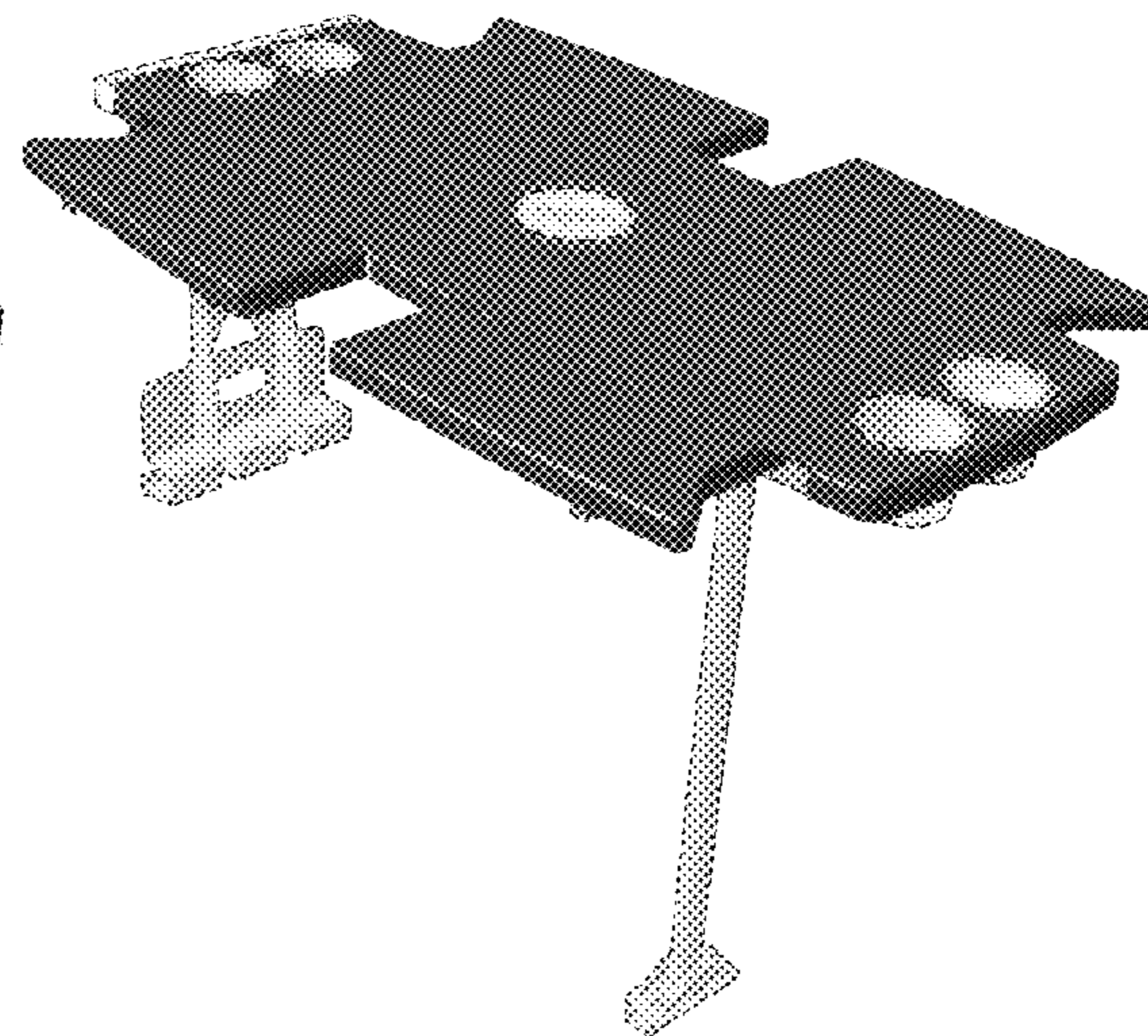
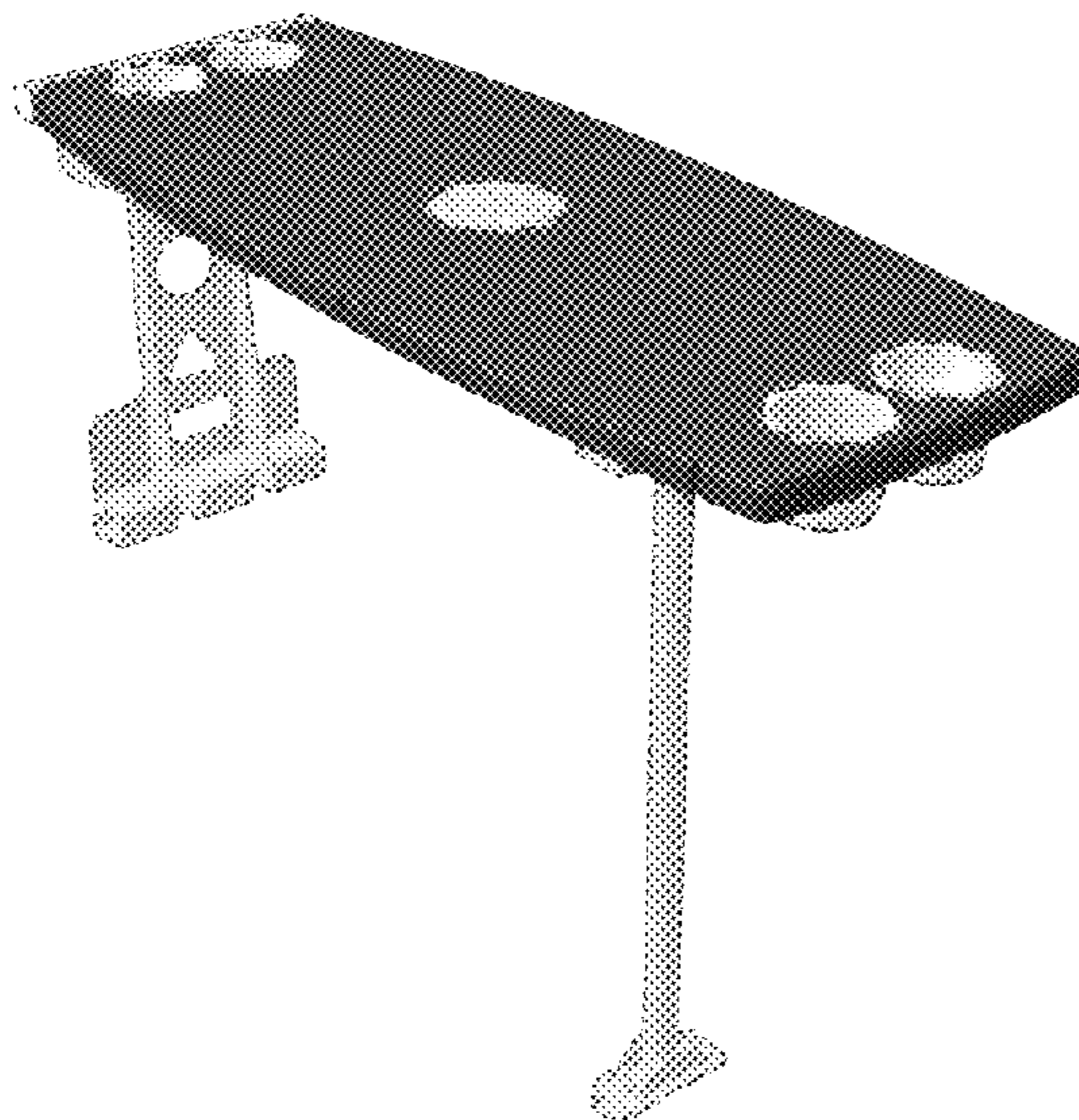
DESCRIPTION

FIG. 1 is a front-right-top perspective view of a table showing my new design;
 FIG. 2 is a front-left-bottom perspective view thereof;
 FIG. 3 is a top view thereof;
 FIG. 4 is a bottom view thereof;
 FIG. 5 is a front view thereof;
 FIG. 6 is a rear view thereof;
 FIG. 7 is a left side view thereof;
 FIG. 8 is a right side view thereof;
 FIG. 9 is a front-right-top perspective view of the table with the slide-outs shown in an alternate extended position of use;
 FIG. 10 is a front-left-bottom perspective view thereof;
 FIG. 11 is a top view thereof;
 FIG. 12 is a bottom view thereof;
 FIG. 13 is a front view thereof;
 FIG. 14 is a rear view thereof;
 FIG. 15 is a left side view thereof; and,
 FIG. 16 is a right side view thereof.
 The broken lines and areas within shown in white overlay show portions of the table that form no part of the claimed design.

(56) **References Cited**
U.S. PATENT DOCUMENTS

- D265,154 S * 6/1982 Cox D12/419
- 4,524,701 A * 6/1985 Chappell A47B 31/06 108/44

1 Claim, 13 Drawing Sheets



(56)

References Cited

U.S. PATENT DOCUMENTS

D464,840 S *	10/2002	Ingram	F16B 7/105 D6/610
D569,142 S *	5/2008	Burak	D6/707.22
D642,408 S *	8/2011	Pirkl	B60N 3/002 D6/707.19
D747,260 S *	1/2016	Cantrell	D12/426.1
D831,444 S *	10/2018	Gu	D7/701
10,443,640 B2 *	10/2019	Balk	F16B 7/105
10,455,915 B2 *	10/2019	Wilkin	A45C 5/03
2014/0054299 A1 *	2/2014	Karnin	A45C 15/06 220/592.2

* cited by examiner

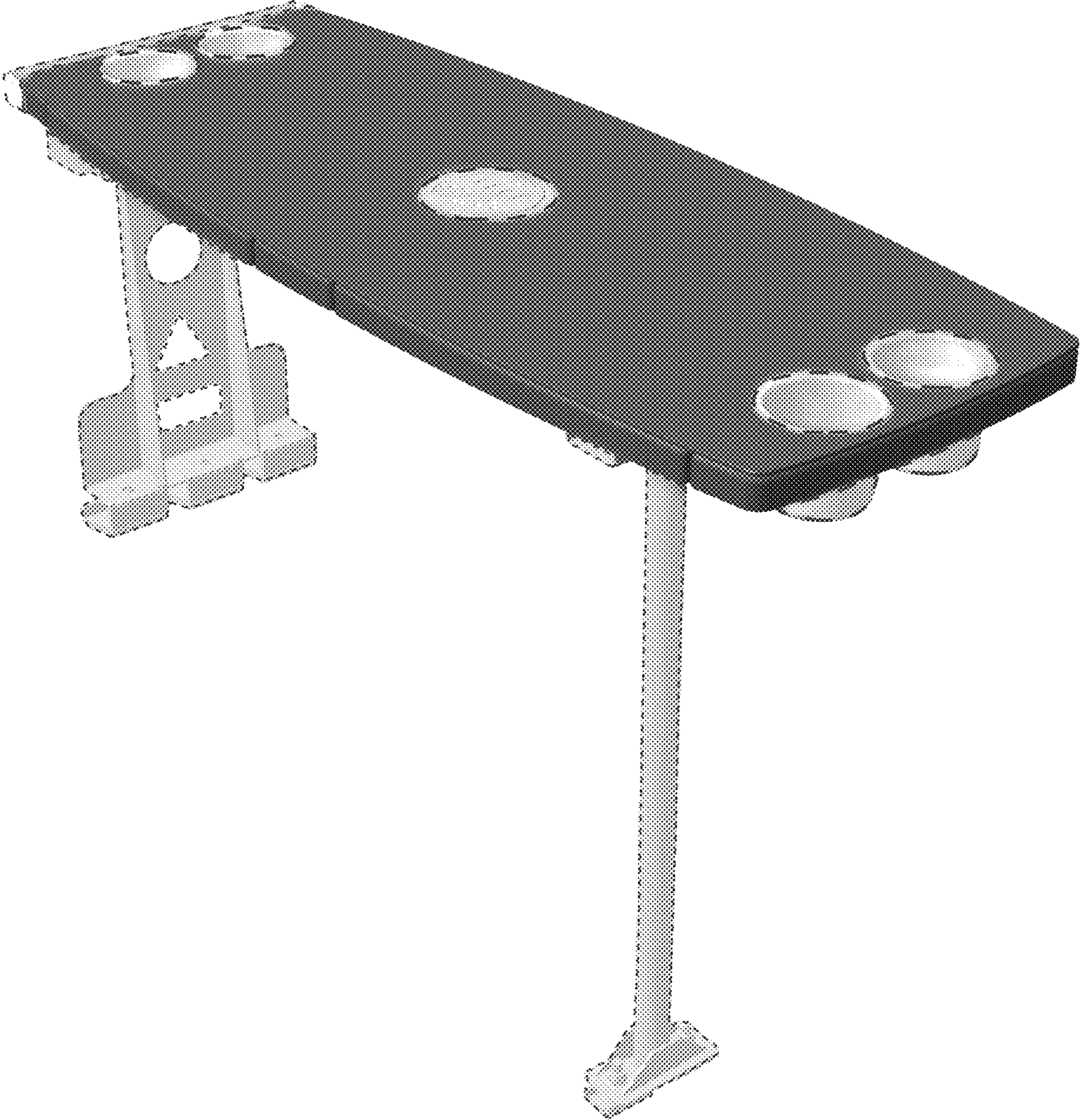


FIG. 1

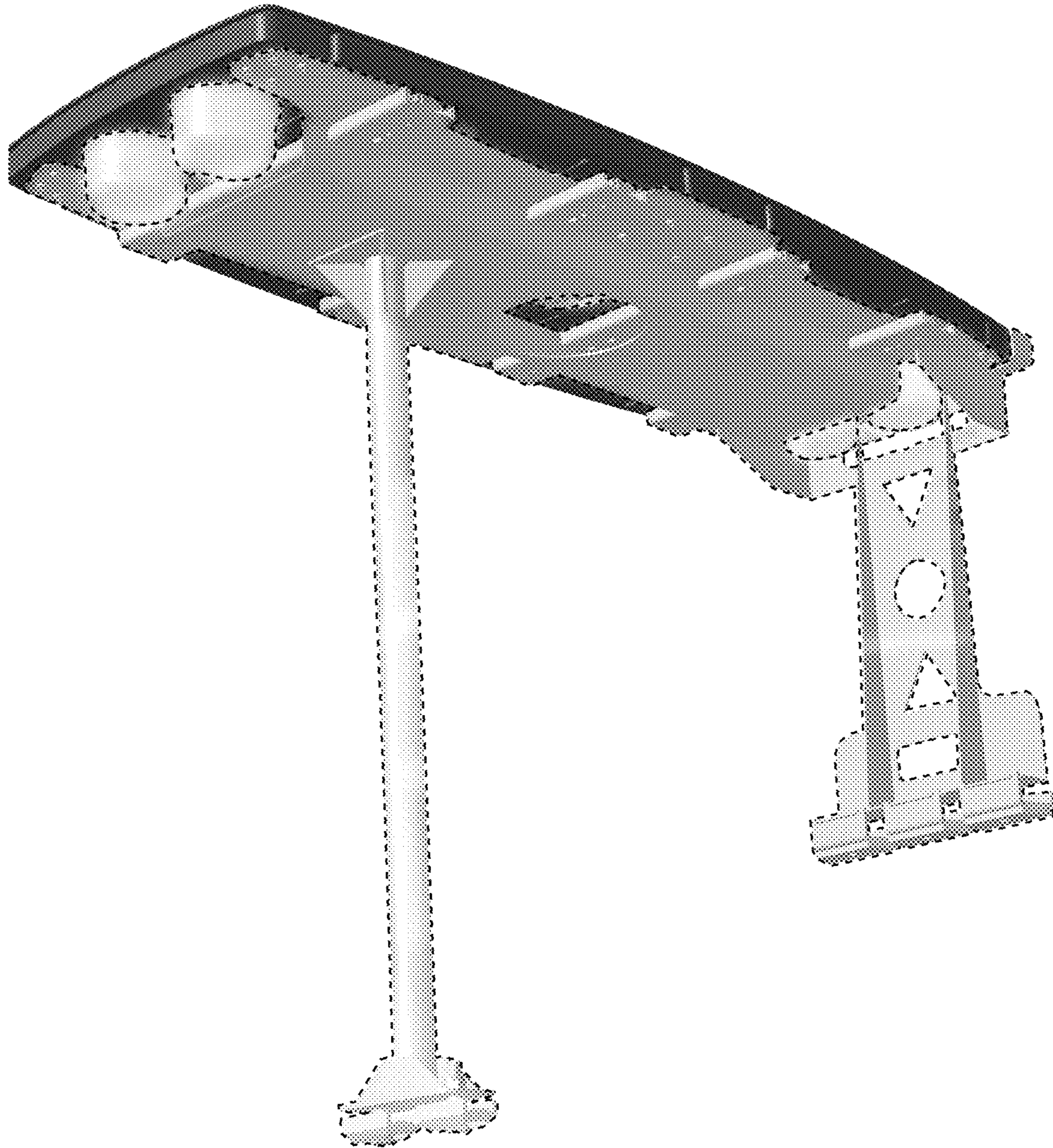


FIG. 2

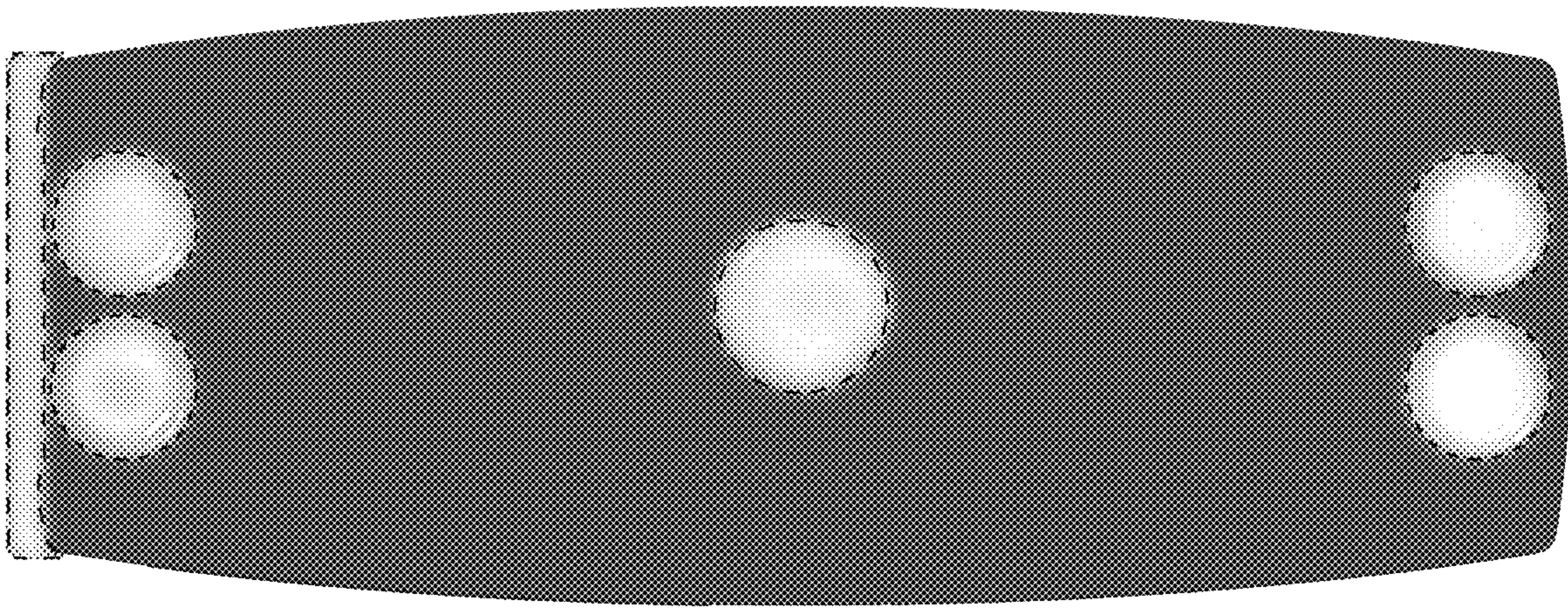


FIG. 3

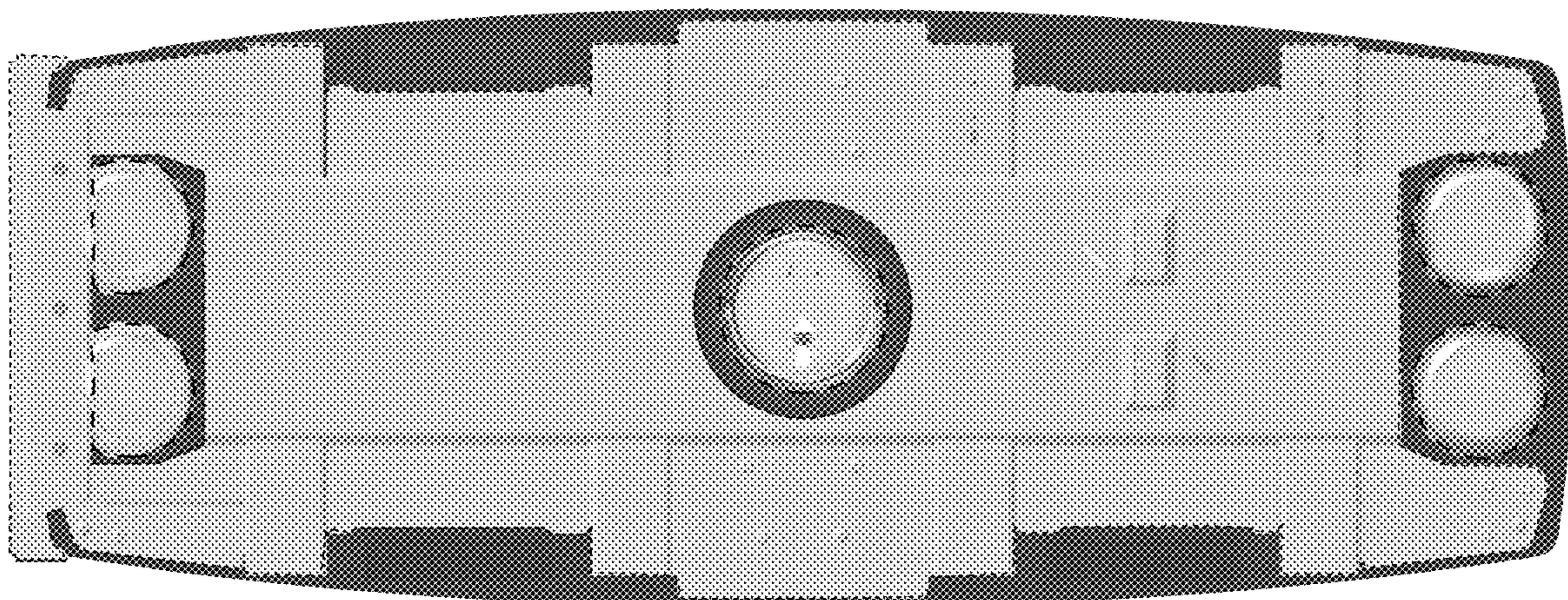


FIG. 4

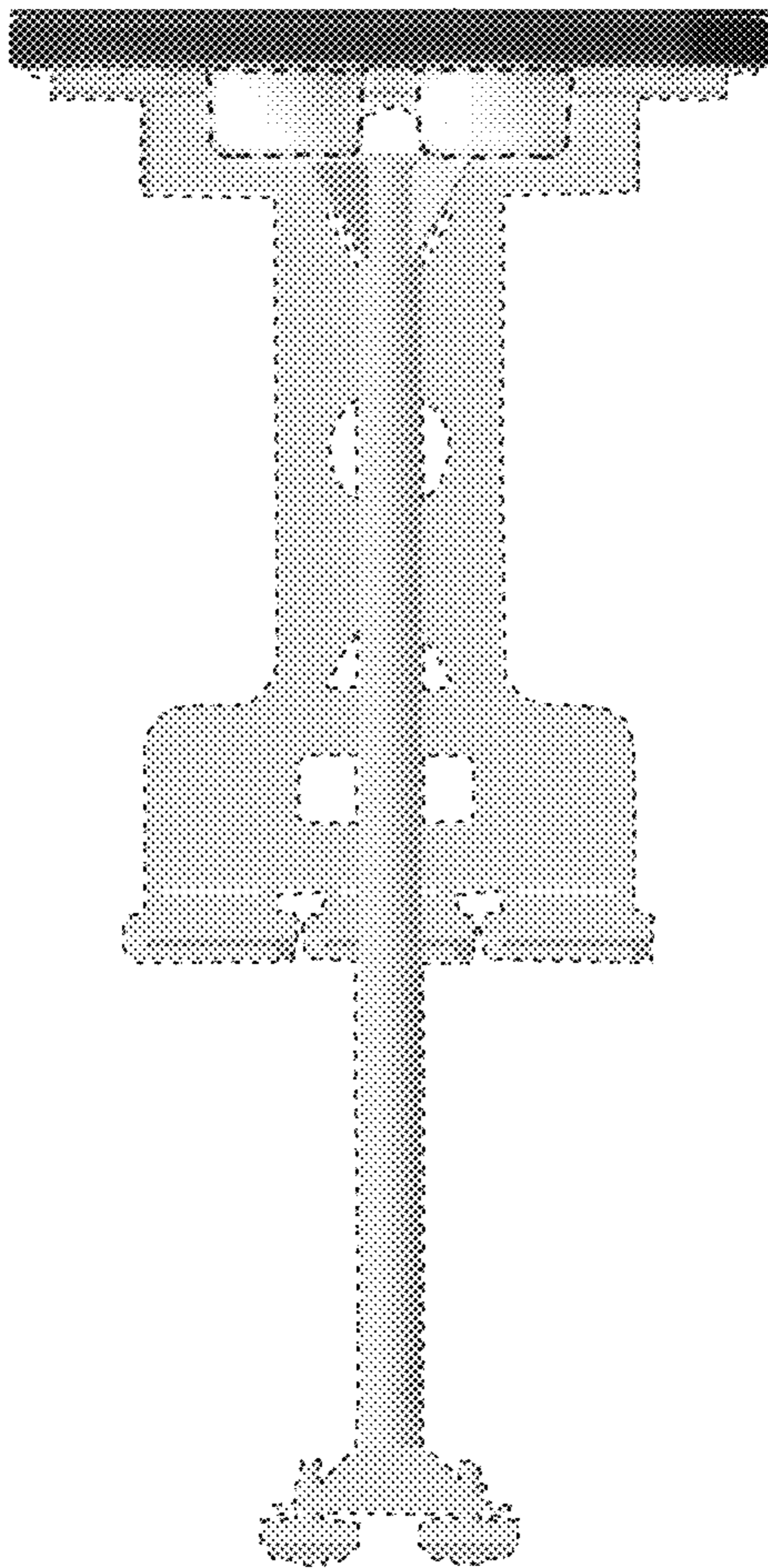


FIG. 5

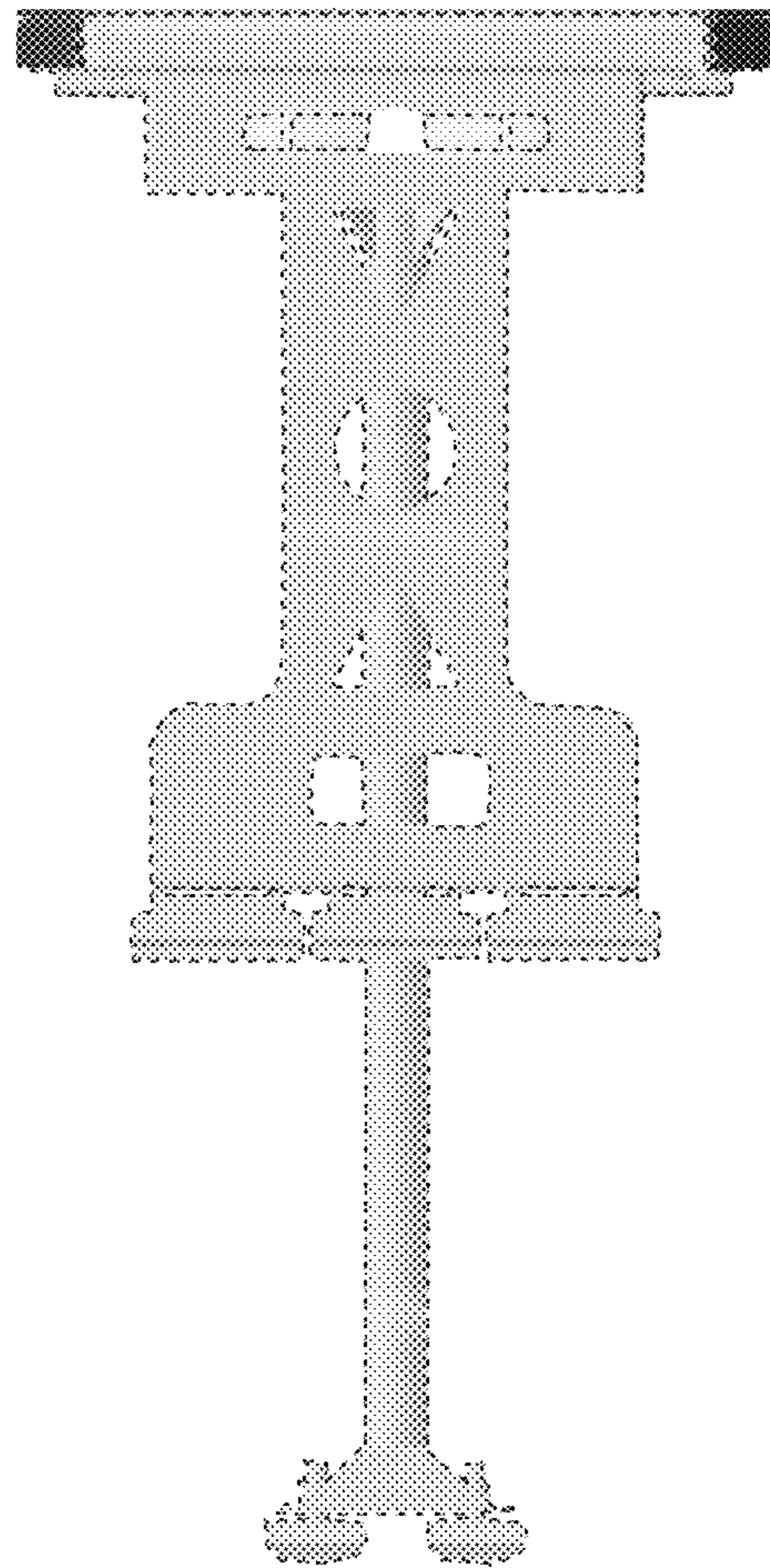


FIG. 6

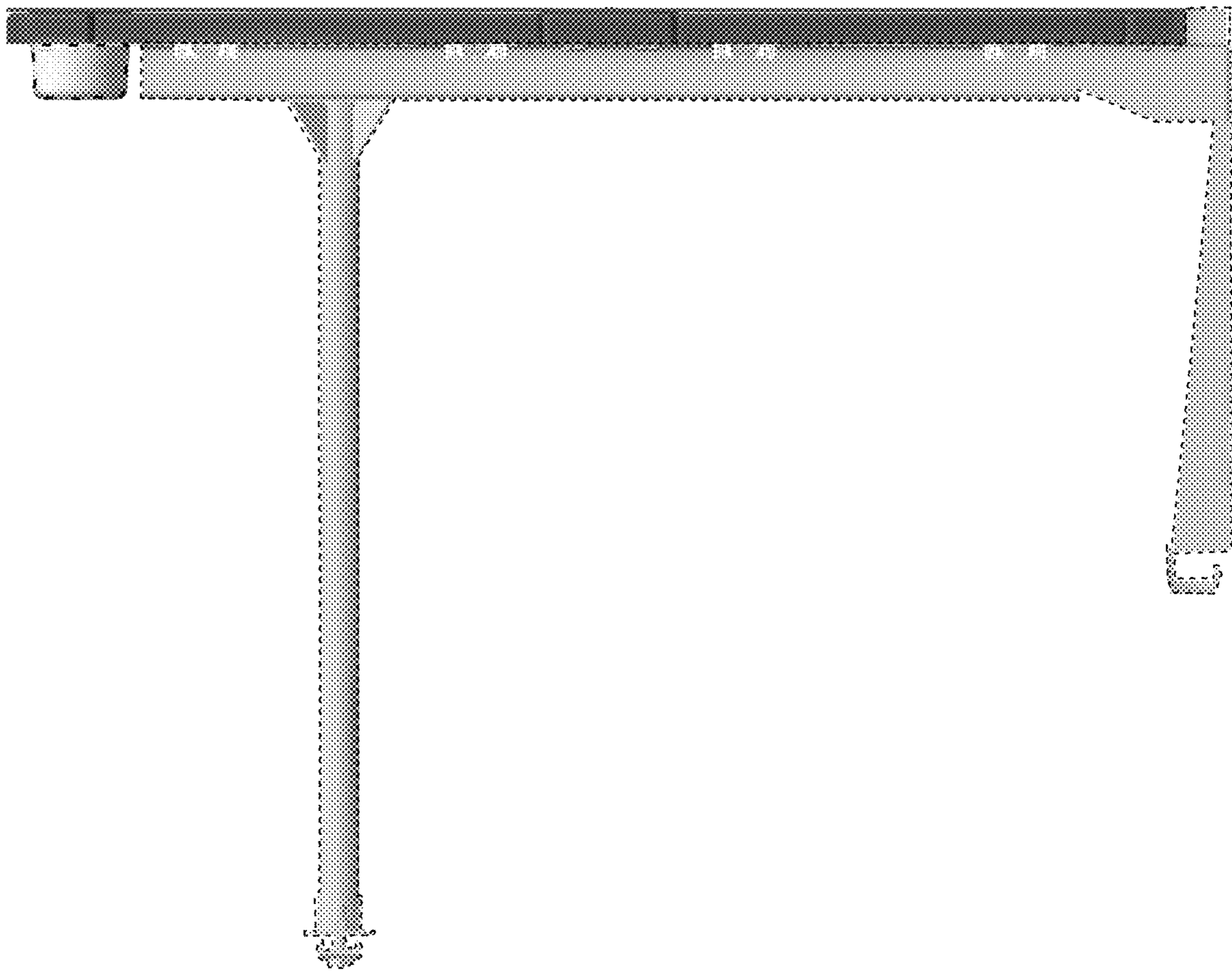


FIG. 7

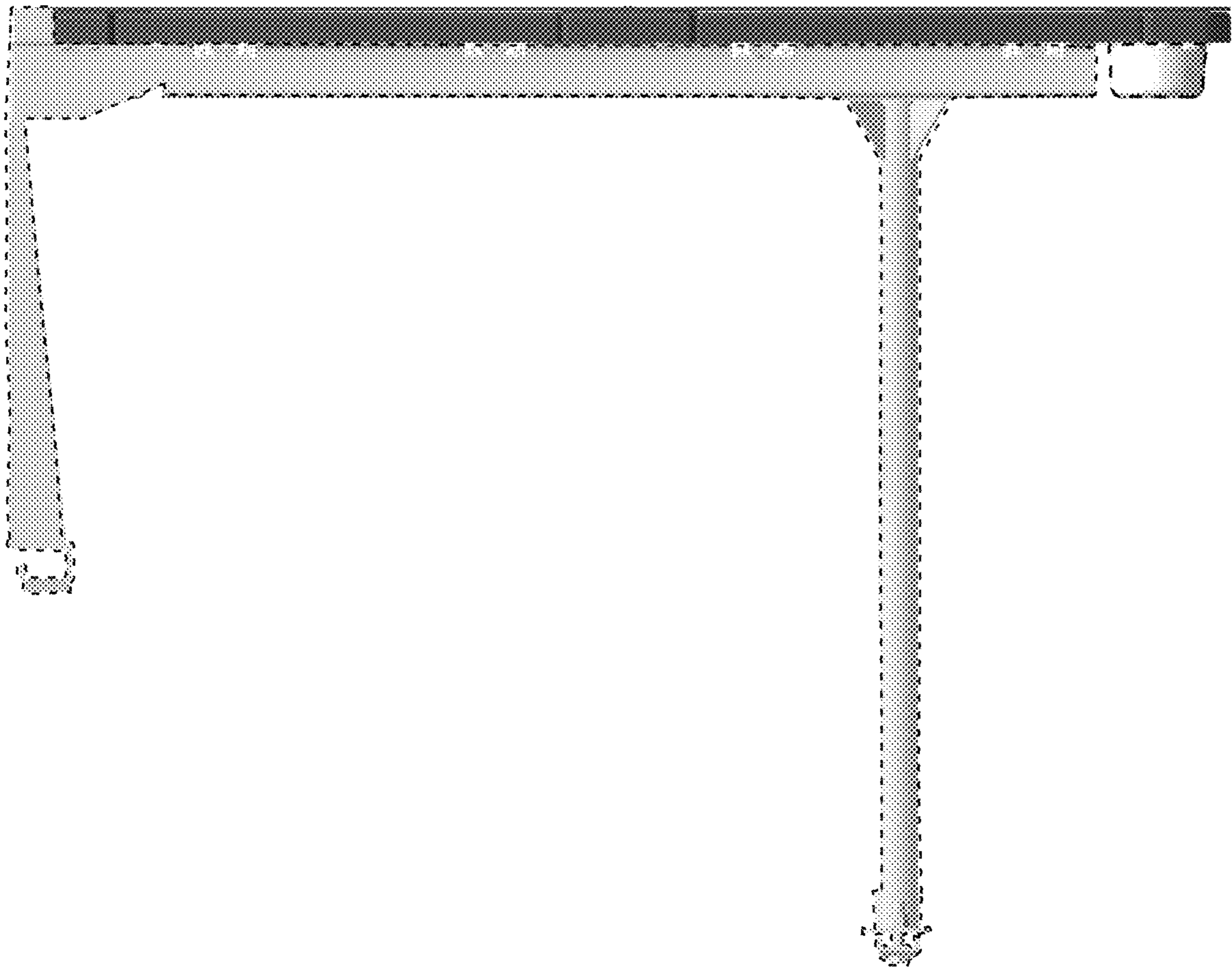


FIG. 8

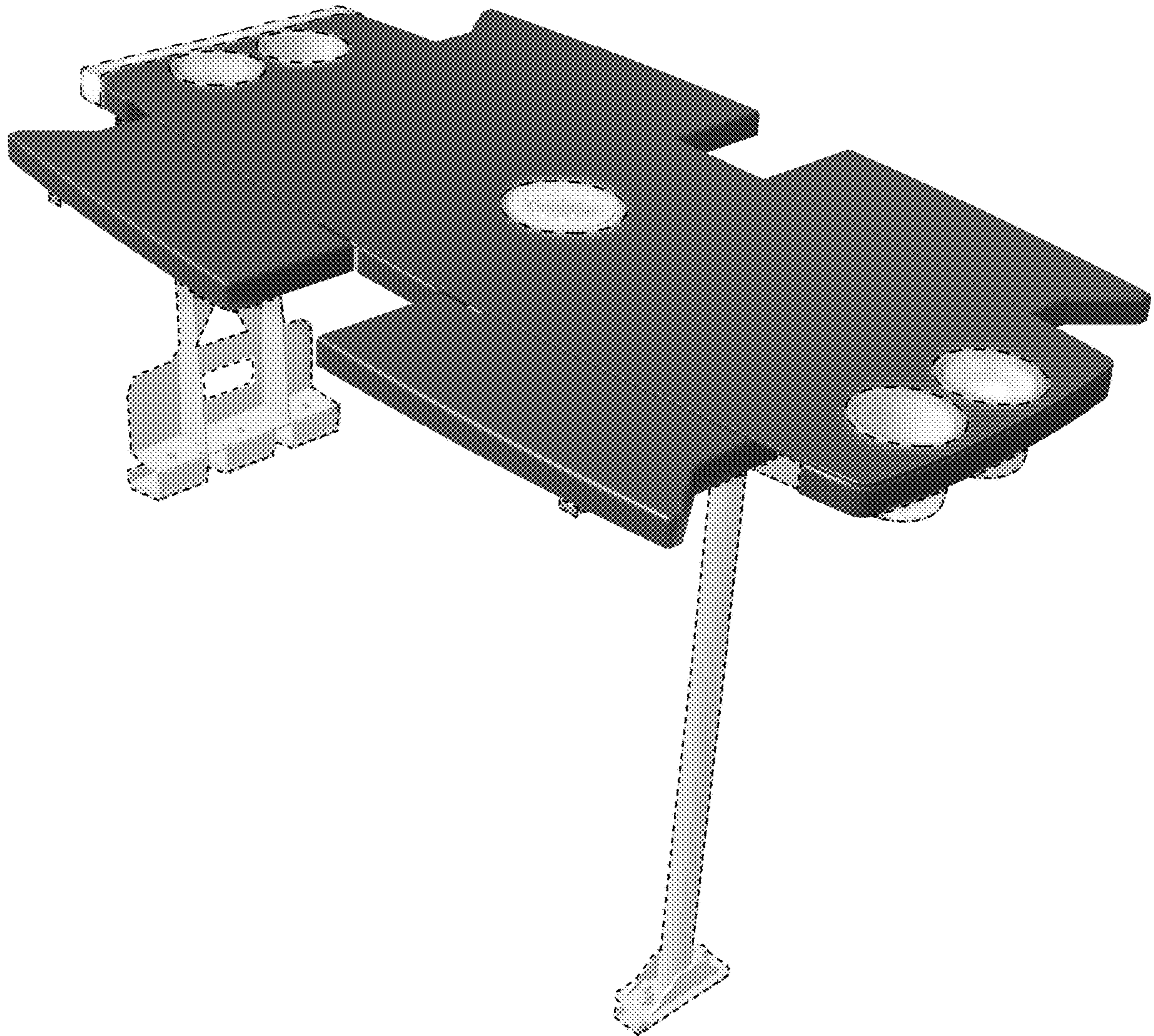


FIG. 9

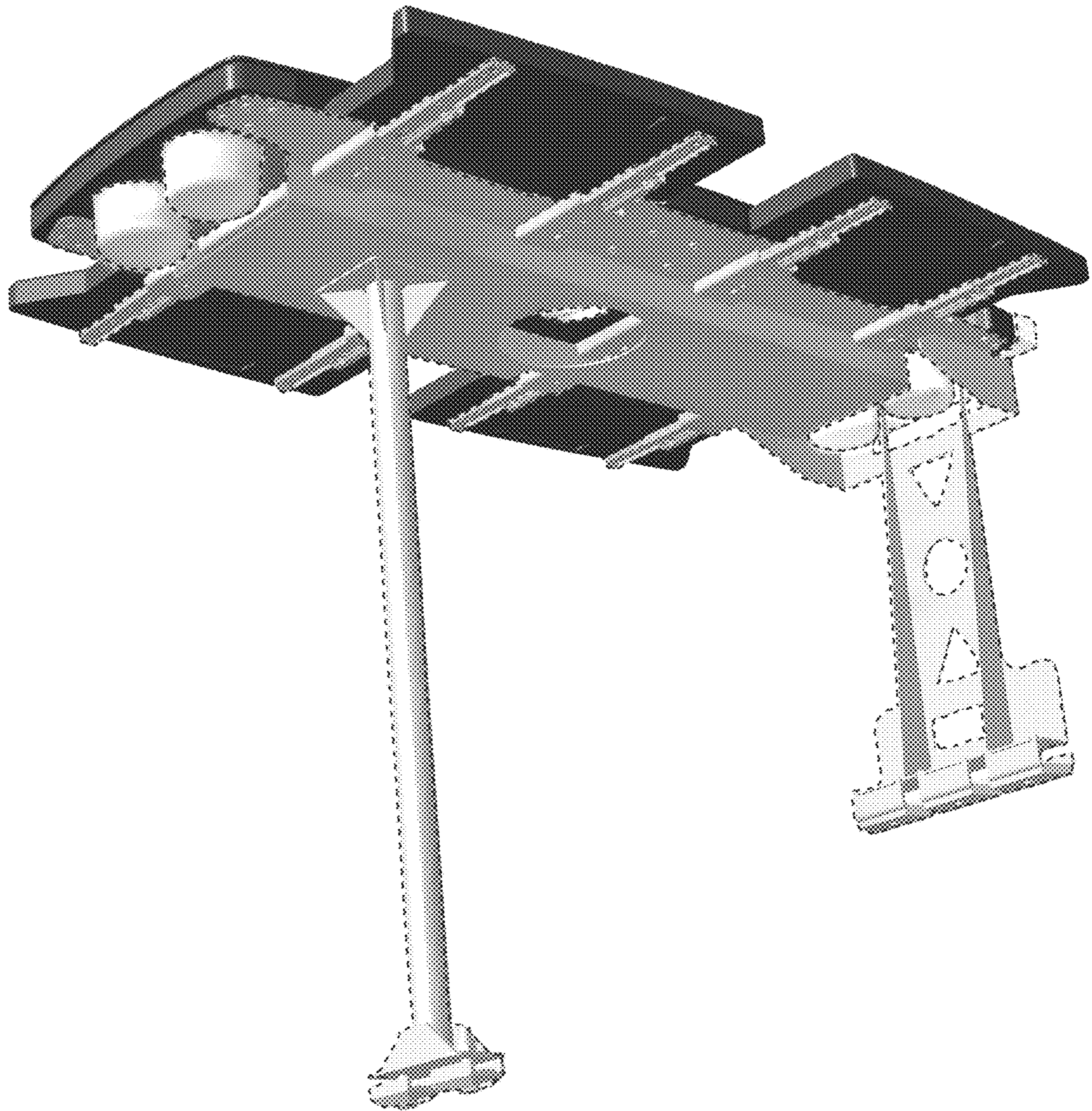


FIG. 10

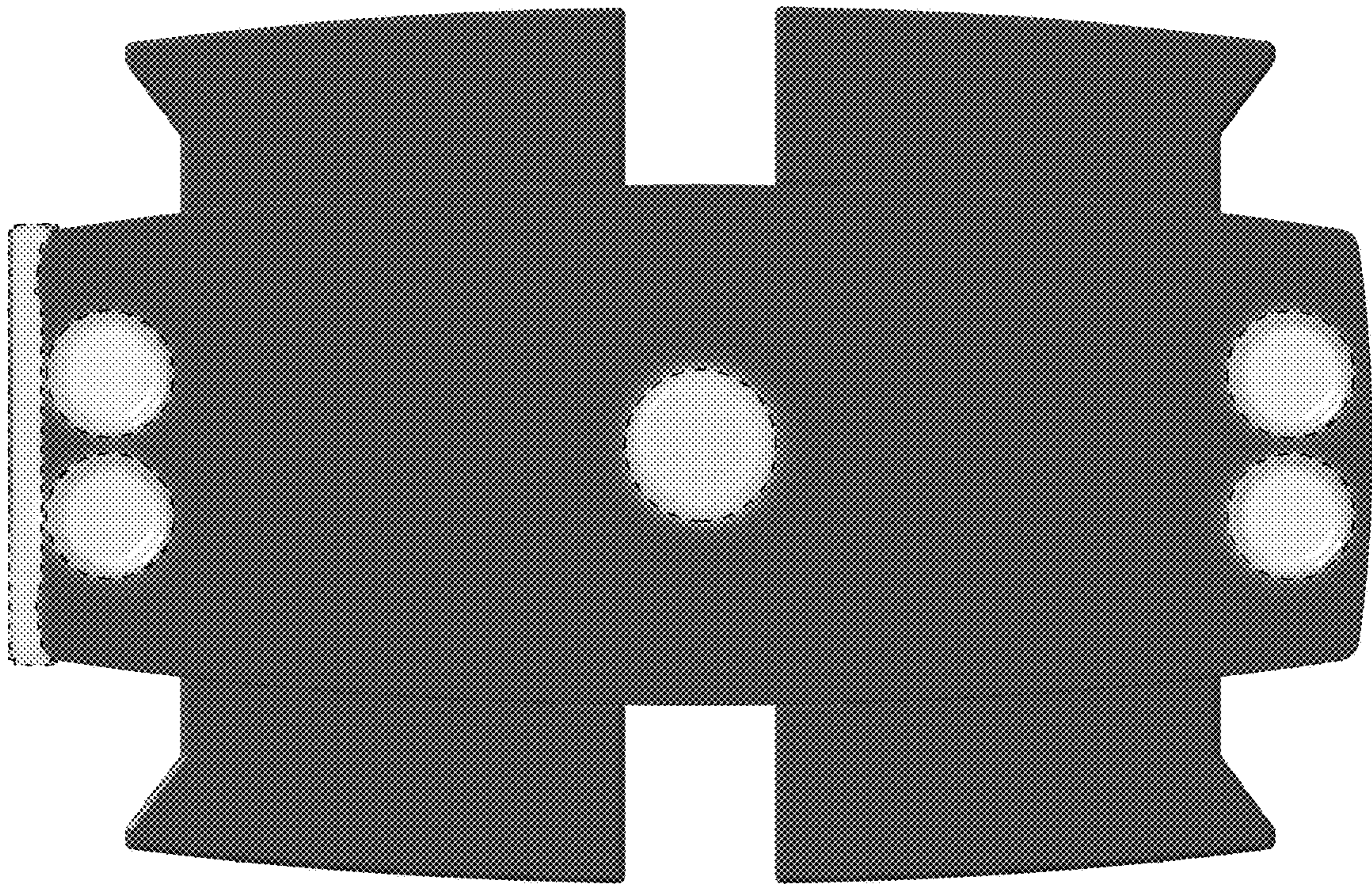


FIG. 11

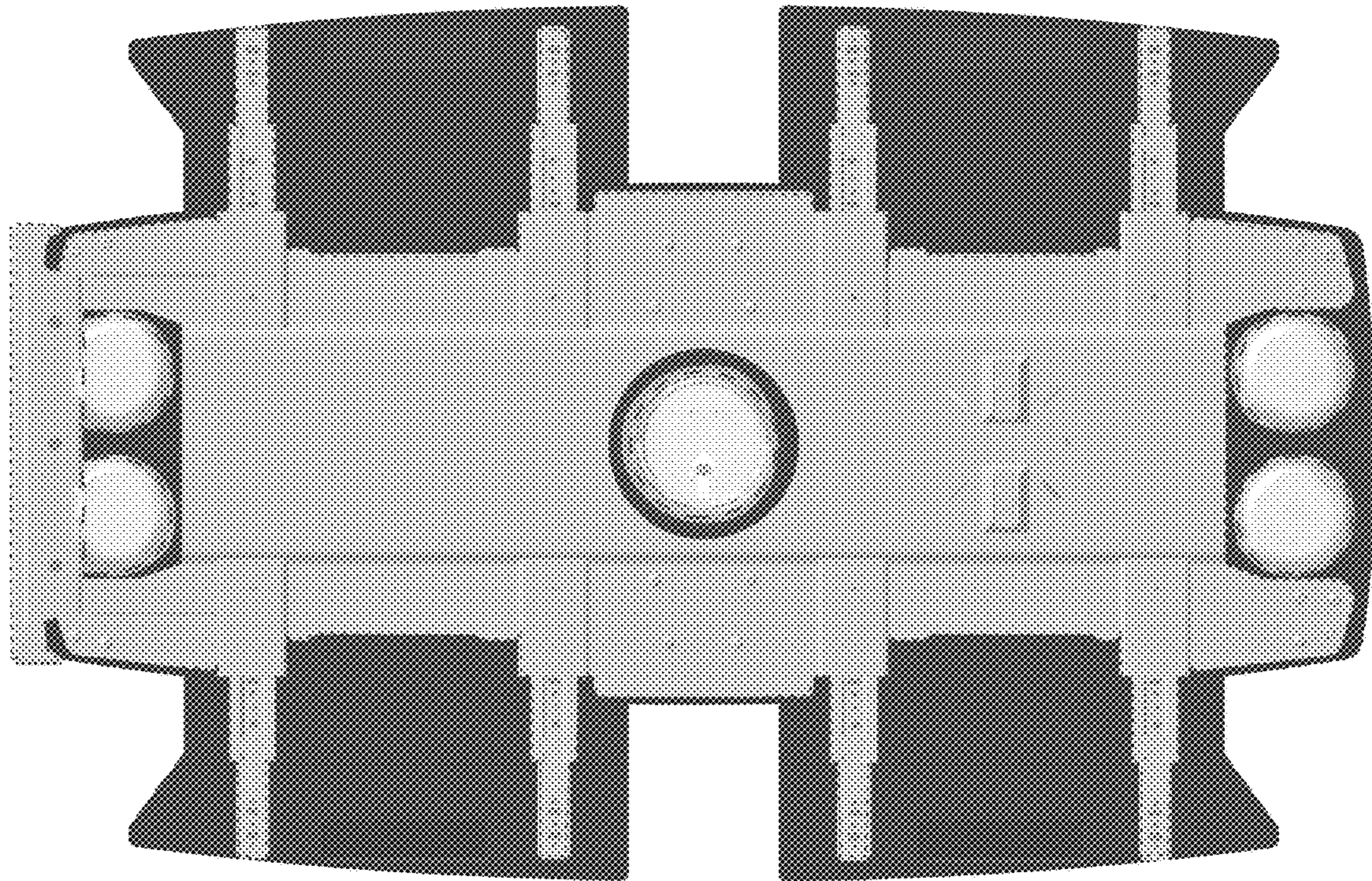


FIG. 12

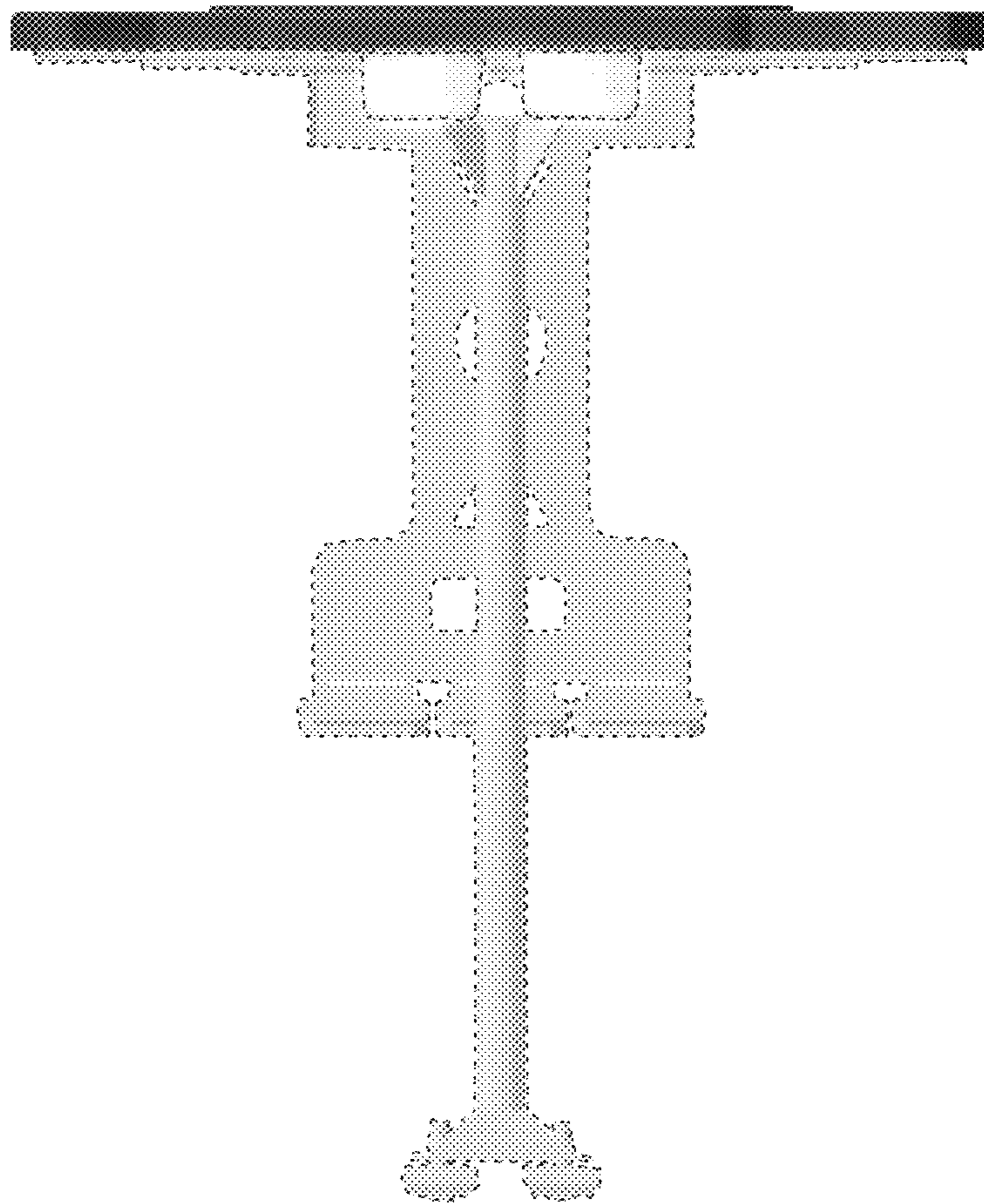


FIG. 13

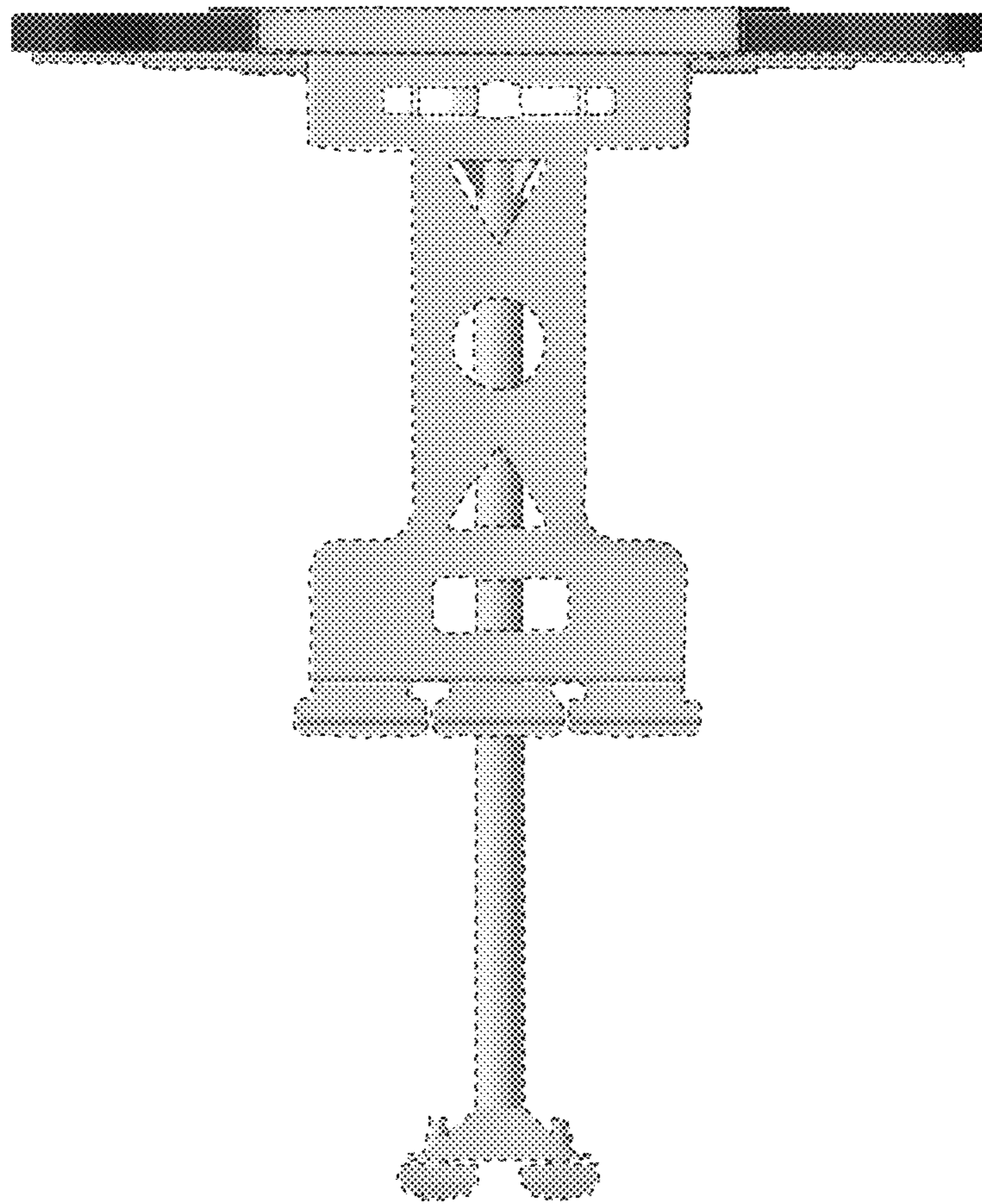


FIG. 14

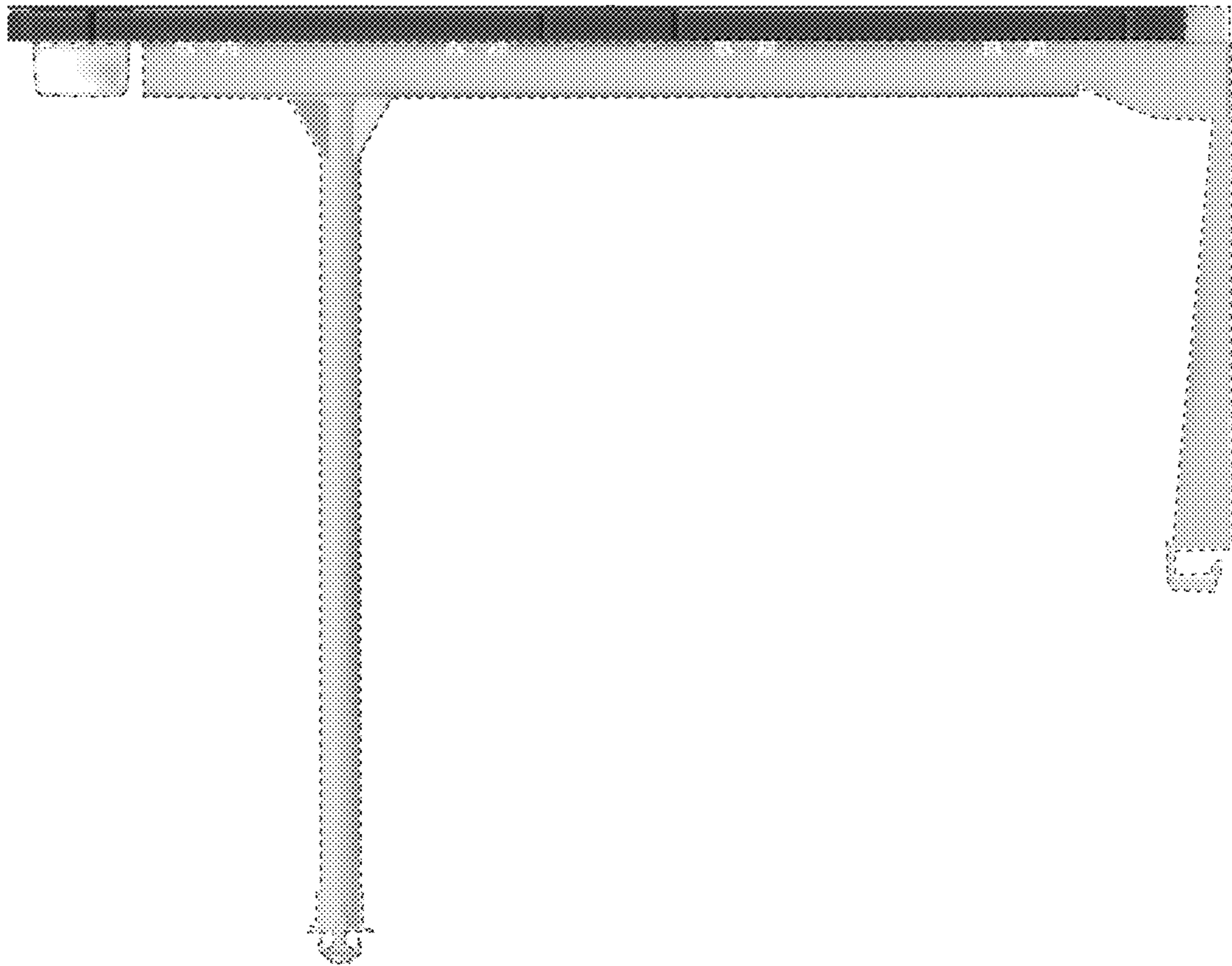


FIG. 15

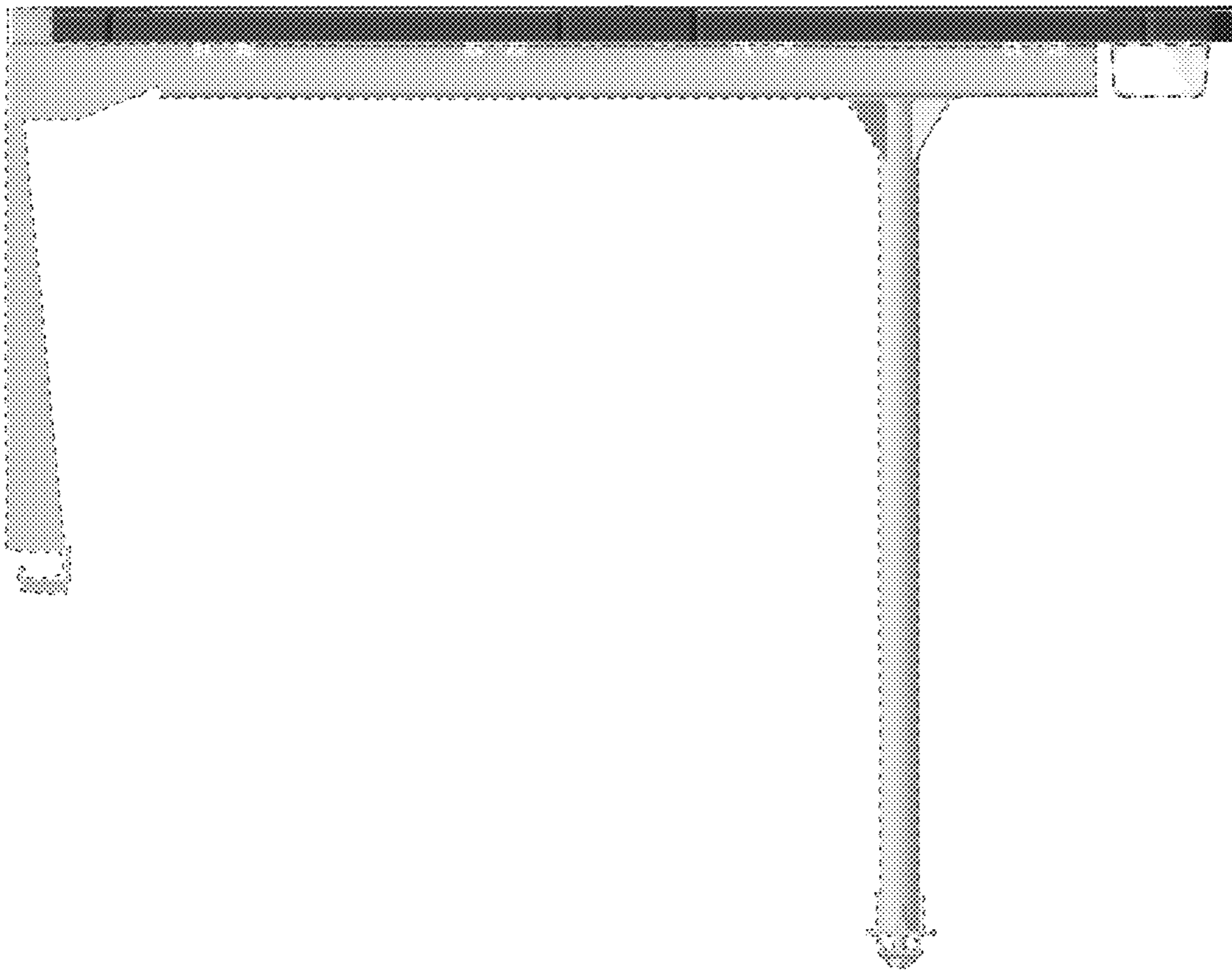


FIG. 16