



US00D945801S

(12) **United States Design Patent**
Pachmayr et al.

(10) **Patent No.:** **US D945,801 S**

(45) **Date of Patent:** **** Mar. 15, 2022**

(54) **WALL CONFORMING LAPTOP OR TABLET WORKSTATION**

D376,491 S * 12/1996 Kelley D6/664
D376,496 S * 12/1996 Kelley D6/664
5,678,905 A * 10/1997 Kelley A47B 21/00
312/196

(71) Applicants: **Michael Barry Pachmayr**, Buffalo, MO (US); **Randall L. Smith**, Buffalo, MO (US)

(Continued)

Primary Examiner — Mimoso De

(72) Inventors: **Michael Barry Pachmayr**, Buffalo, MO (US); **Randall L. Smith**, Buffalo, MO (US)

(74) *Attorney, Agent, or Firm* — Jonathan A. Bay

(**) Term: **15 Years**

(57) **CLAIM**

The ornamental design for a wall conforming laptop or tablet workstation, as shown and described.

(21) Appl. No.: **29/802,841**

DESCRIPTION

(22) Filed: **Aug. 9, 2021**

(51) **LOC (13) Cl.** **06-04**

(52) **U.S. Cl.**
USPC **D6/671**

(58) **Field of Classification Search**
USPC D6/657, 663, 664, 664.1, 661, 671, D6/671.1, 671.2, 671.3, 671.4, 566, D6/675.2, 675.5, 705.6
CPC A47B 17/036; A47B 17/04; A47B 46/00; A47B 47/00; A47B 47/04; A47B 57/00; A47B 63/00; A47B 67/00; A47B 5/00; A47B 47/02; A47B 47/021; A47B 73/002; A47B 67/02; A47B 83/045; A47B 21/00

See application file for complete search history.

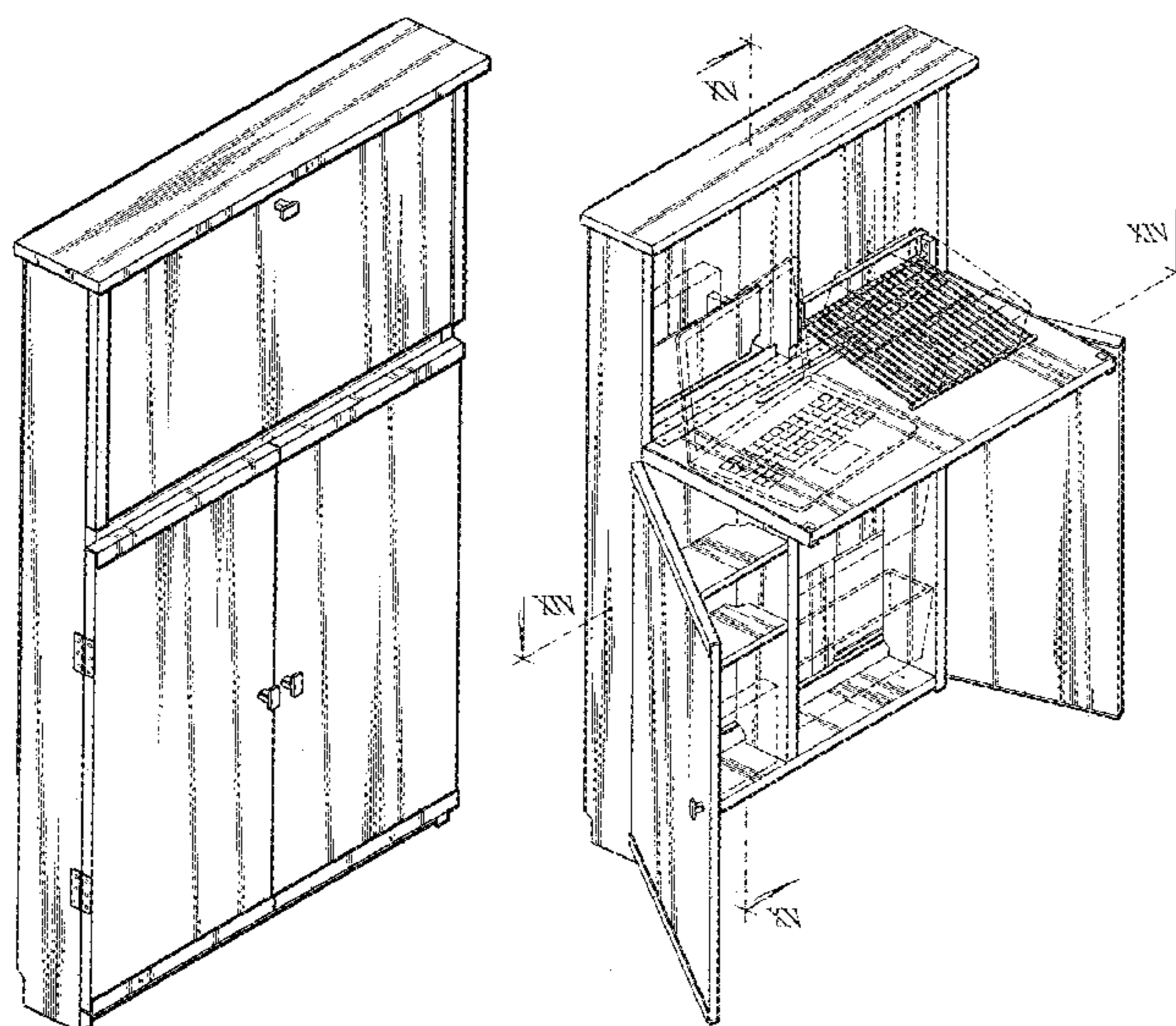
FIG. 1 is a front perspective view of a wall conforming laptop or tablet workstation showing our new design; FIG. 2 is a rear perspective view thereof; FIG. 3 is a front elevational view thereof; FIG. 4 is a left side elevational view of FIG. 3, the right side being a mirror opposite image; FIG. 5 is a top plan view thereof; FIG. 6 is a bottom plan view thereof; and FIG. 7 is a rear elevational view thereof; FIG. 8 is a front perspective view comparable to FIG. 1 except showing the cabinet doors open and the hinged table surface folded out for support of laptops, tablets, printes and like workstation devices; FIG. 9 is a front elevational view of FIG. 8; FIG. 10 is a left side elevational view of FIG. 9, the right side being capable of being a mirror opposite image; FIG. 11 is a top plan view of FIG. 10; FIG. 12 is a bottom plan view of FIG. 10; and FIG. 13 is a rear elevational view of FIG. 10; FIG. 14 is a section view taken along line XIV-XIV in FIG. 8; and, FIG. 15 is a section view taken along line XV-XV in FIG. 8.
The broken lines in drawing represent environmental subject matter that forms no part of the claimed design.

(56) **References Cited**

U.S. PATENT DOCUMENTS

1,948,703 A * 2/1934 Fanarjian A47B 17/036
312/196
D140,702 S * 3/1945 Twente D6/664
D158,930 S * 6/1950 Burgold D6/671.1
D239,804 S * 5/1976 Lundberg D6/671
D281,382 S * 11/1985 Byrne D6/664
5,400,612 A * 3/1995 Hedges
5,558,418 A * 9/1996 Lambright A47B 21/00
312/321.5

1 Claim, 13 Drawing Sheets



(56)

References Cited

U.S. PATENT DOCUMENTS

5,842,758 A * 12/1998 Kelley A47B 21/00
312/196
D409,017 S * 5/1999 Kelley D6/664
5,927,833 A * 7/1999 Kelley A47B 21/00
312/196
6,152,551 A 11/2000 Annas A47B 67/005
6,460,710 B1 10/2002 Dardashti A47B 57/26
8,919,894 B1 12/2014 Pachmayr A47B 81/06
9,528,654 B2 12/2016 Pachmayr F16M 13/02
D917,208 S 4/2021 Pachmayr D6/671.1
D929,161 S * 8/2021 Stephenson D6/675.5
2005/0258117 A1 11/2005 Drake A47B 6/005
2007/0252489 A1 11/2007 Schulz A47B 87/0007

* cited by examiner

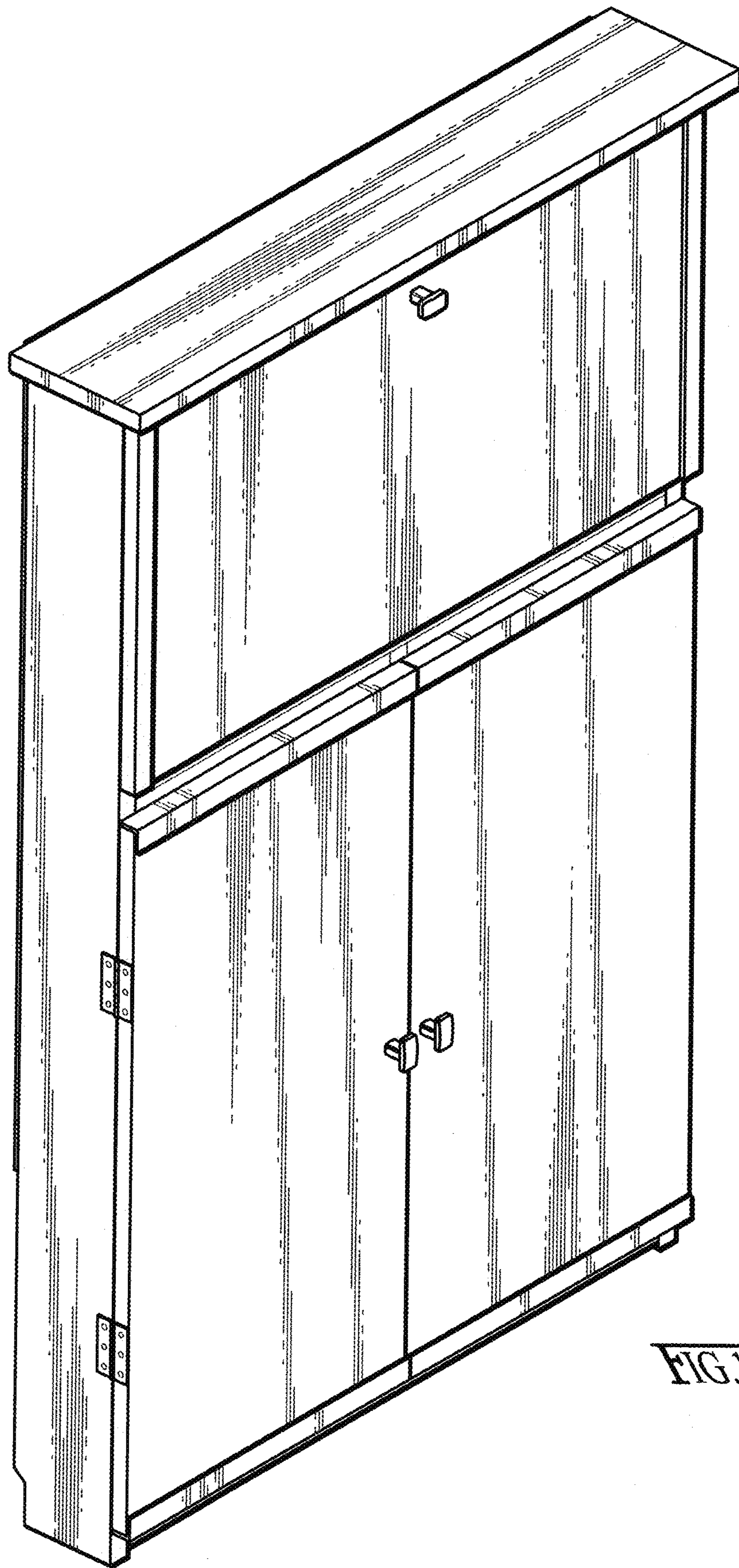


FIG. 1



FIG. 2

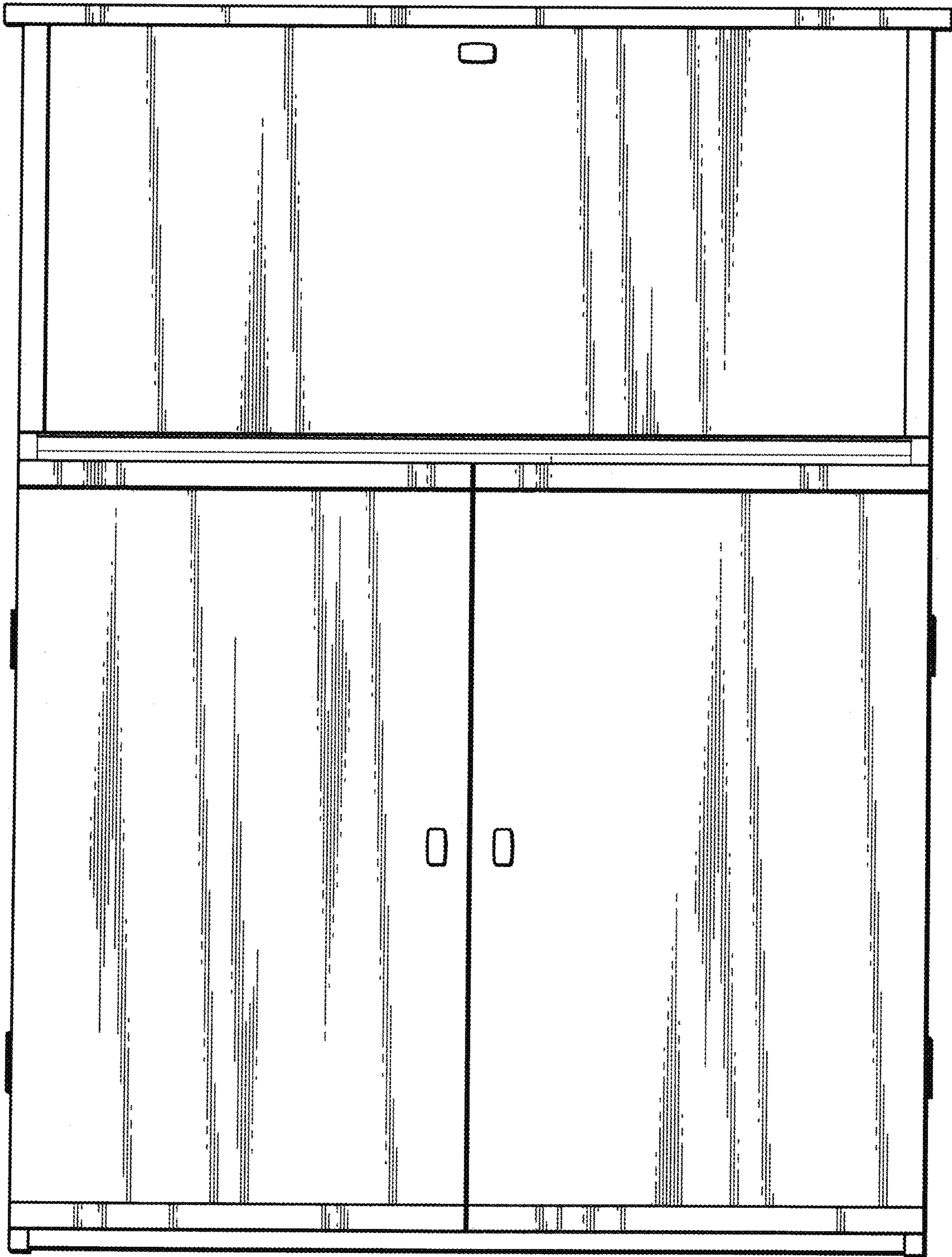


FIG. 3

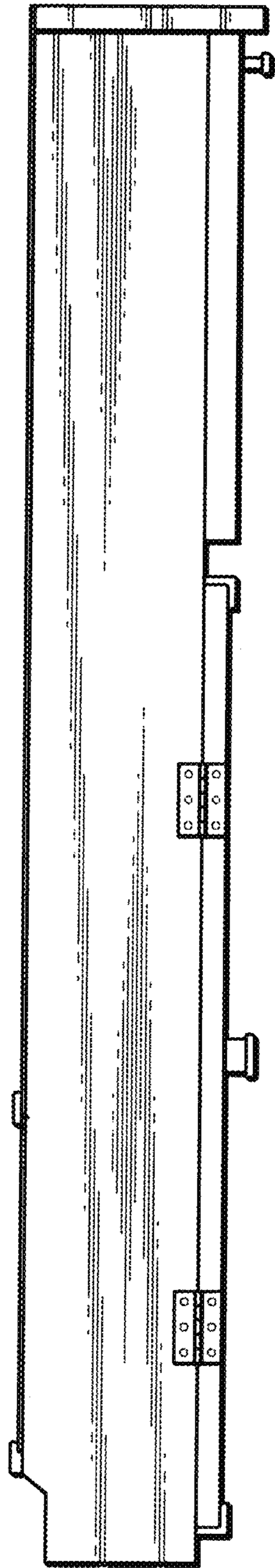


FIG. 4

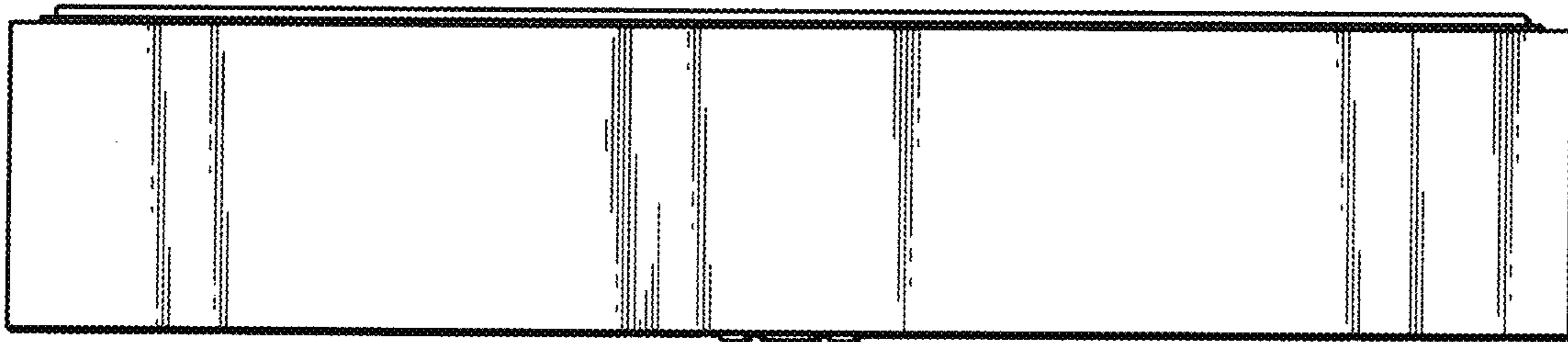


FIG. 5

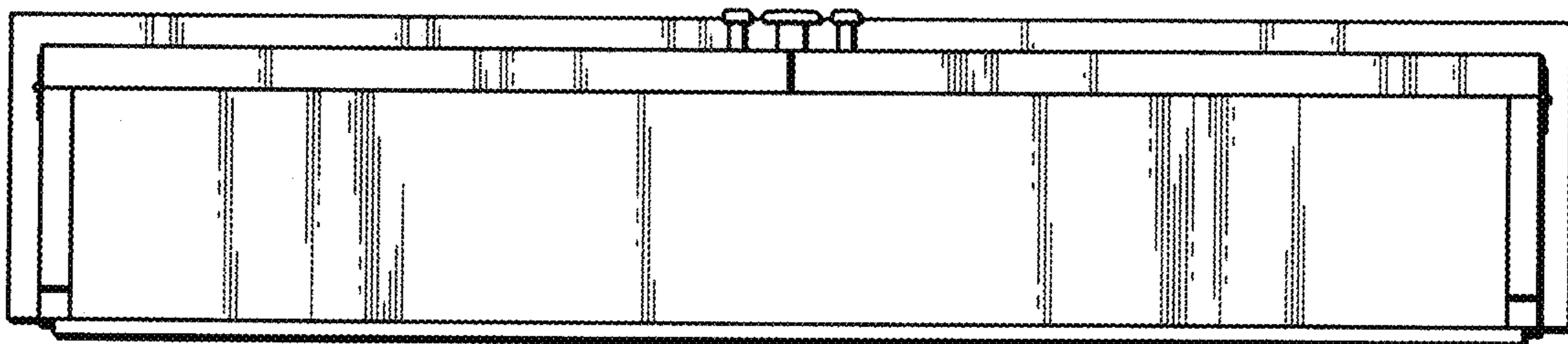


FIG. 6

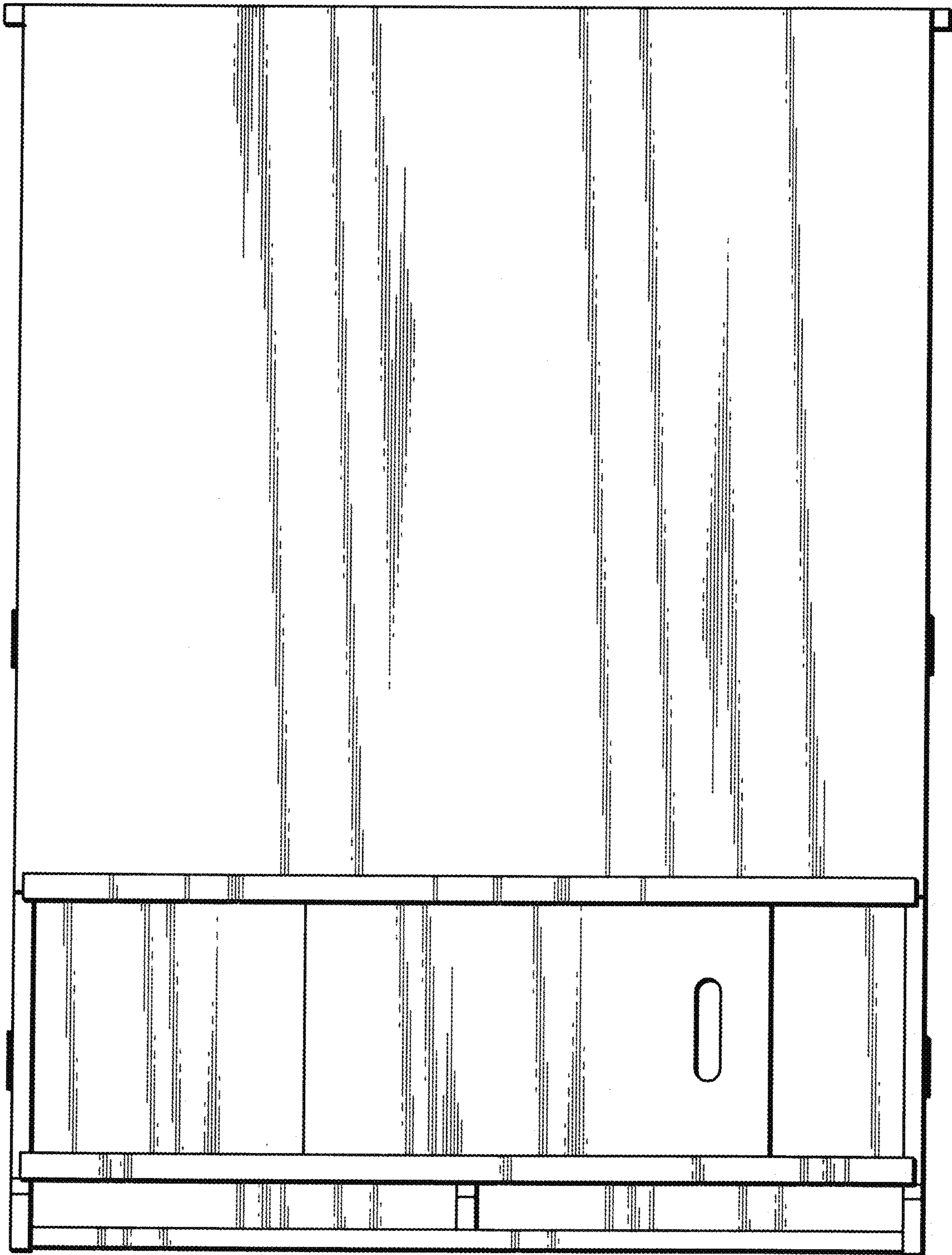


FIG. 7

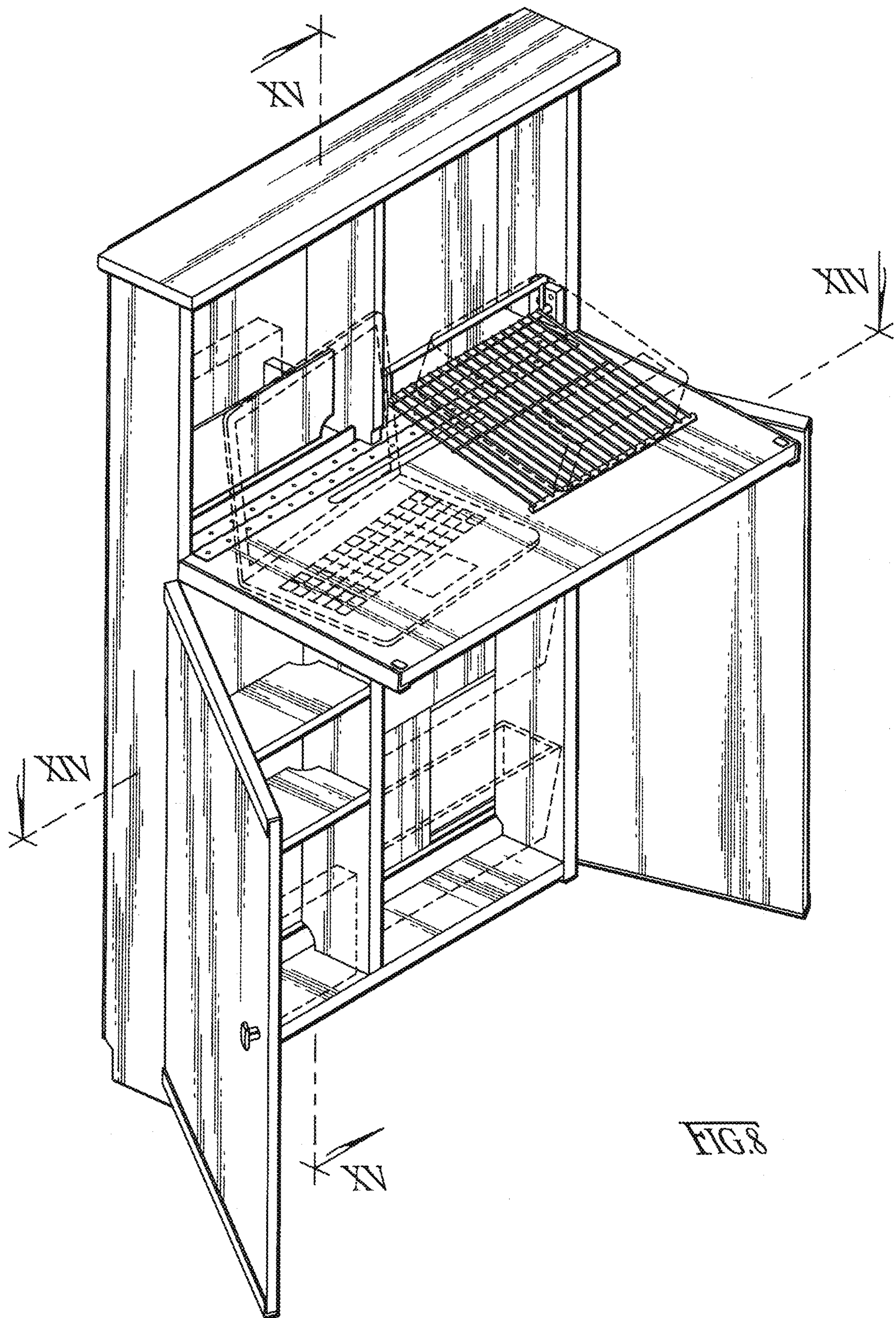


FIG. 8

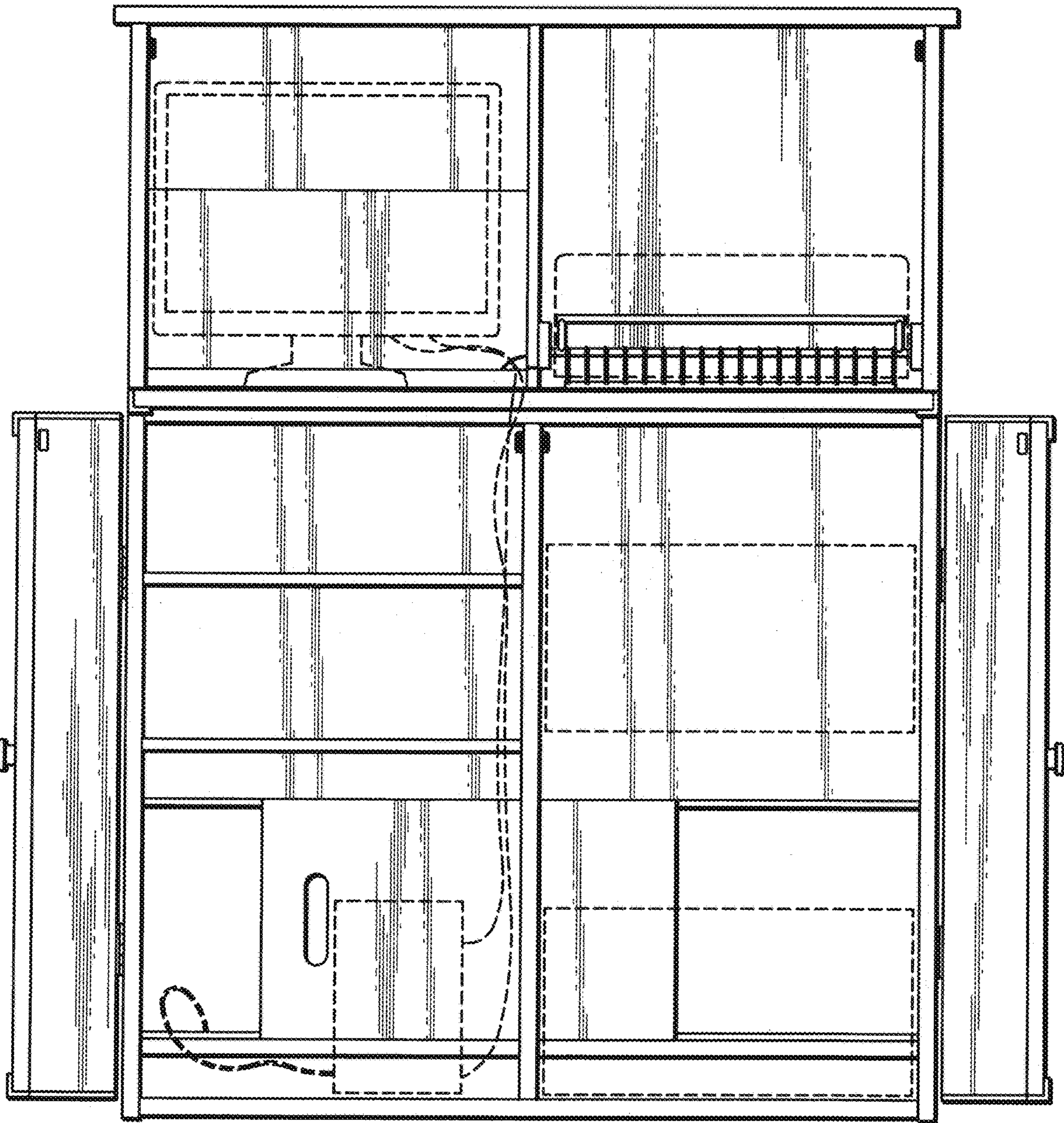


FIG. 9

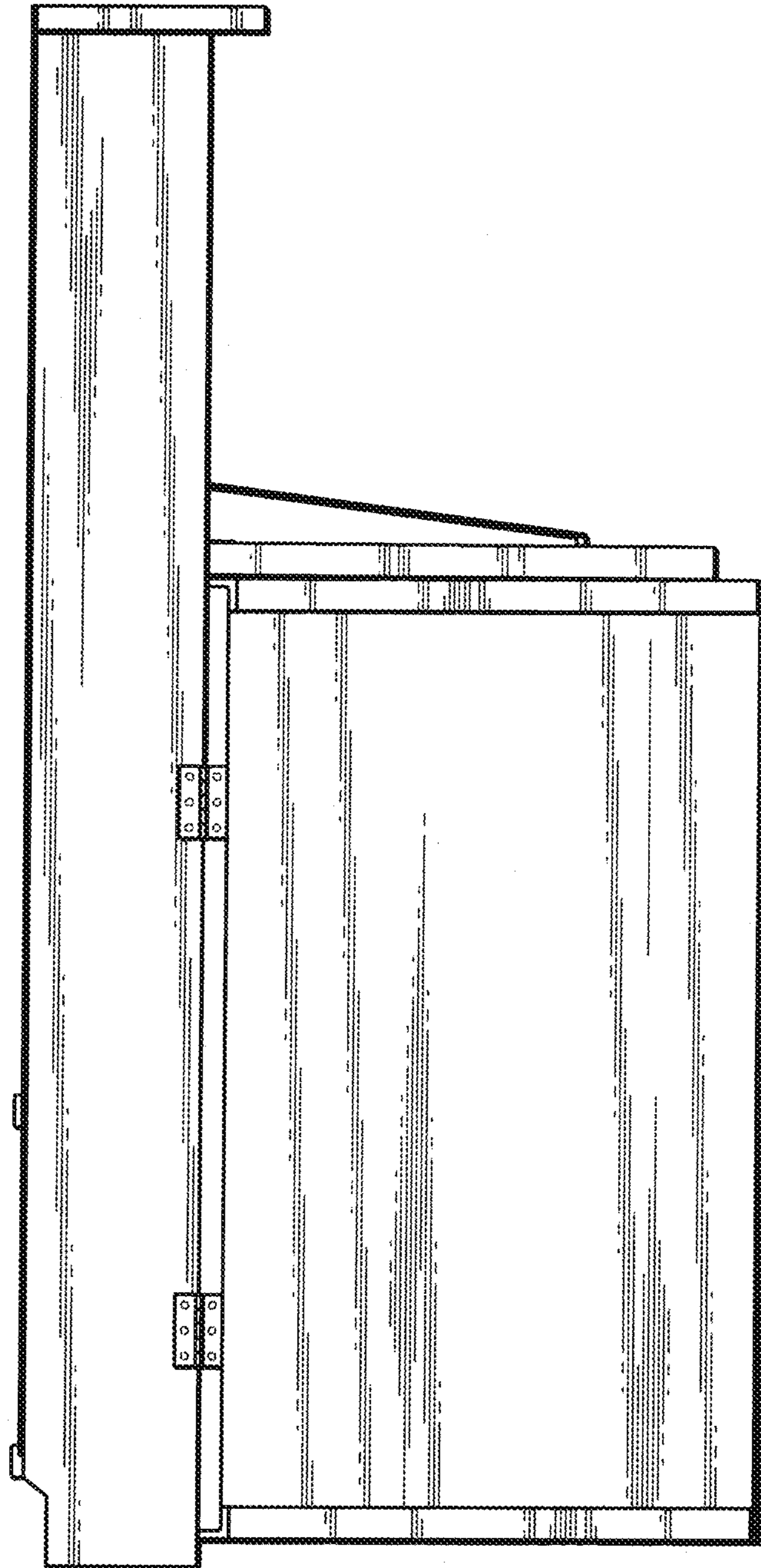


FIG. 10

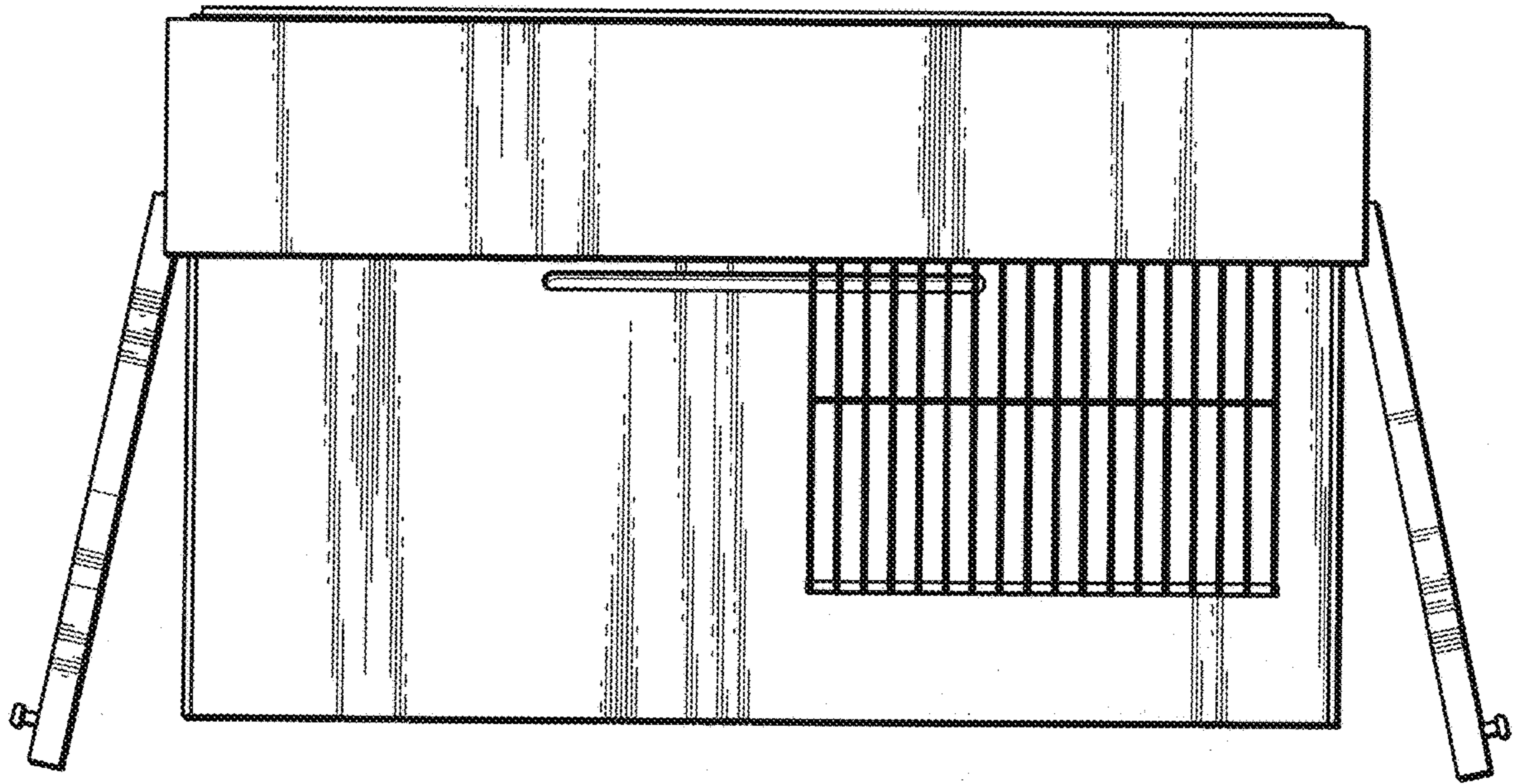


FIG. 11

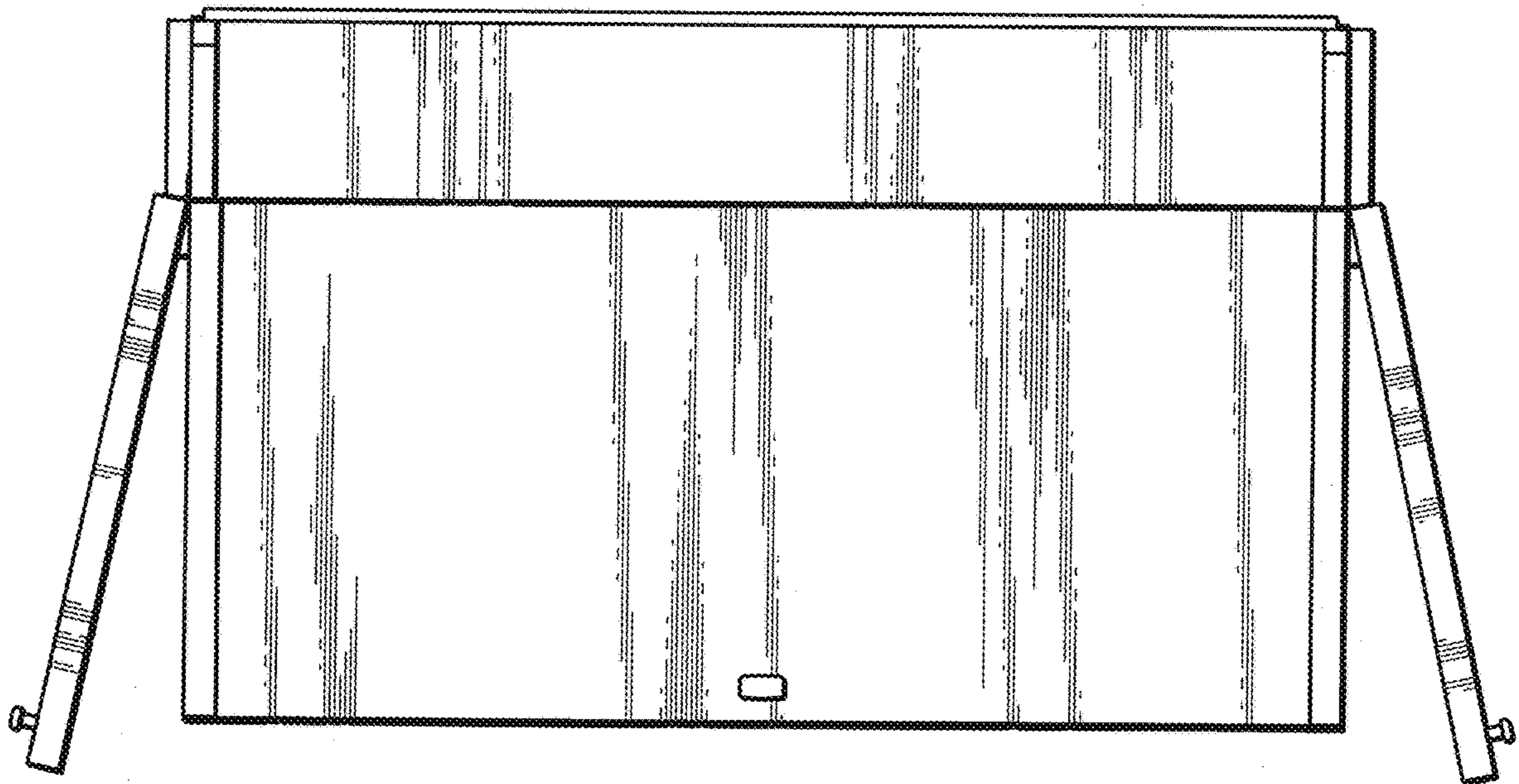


FIG. 12

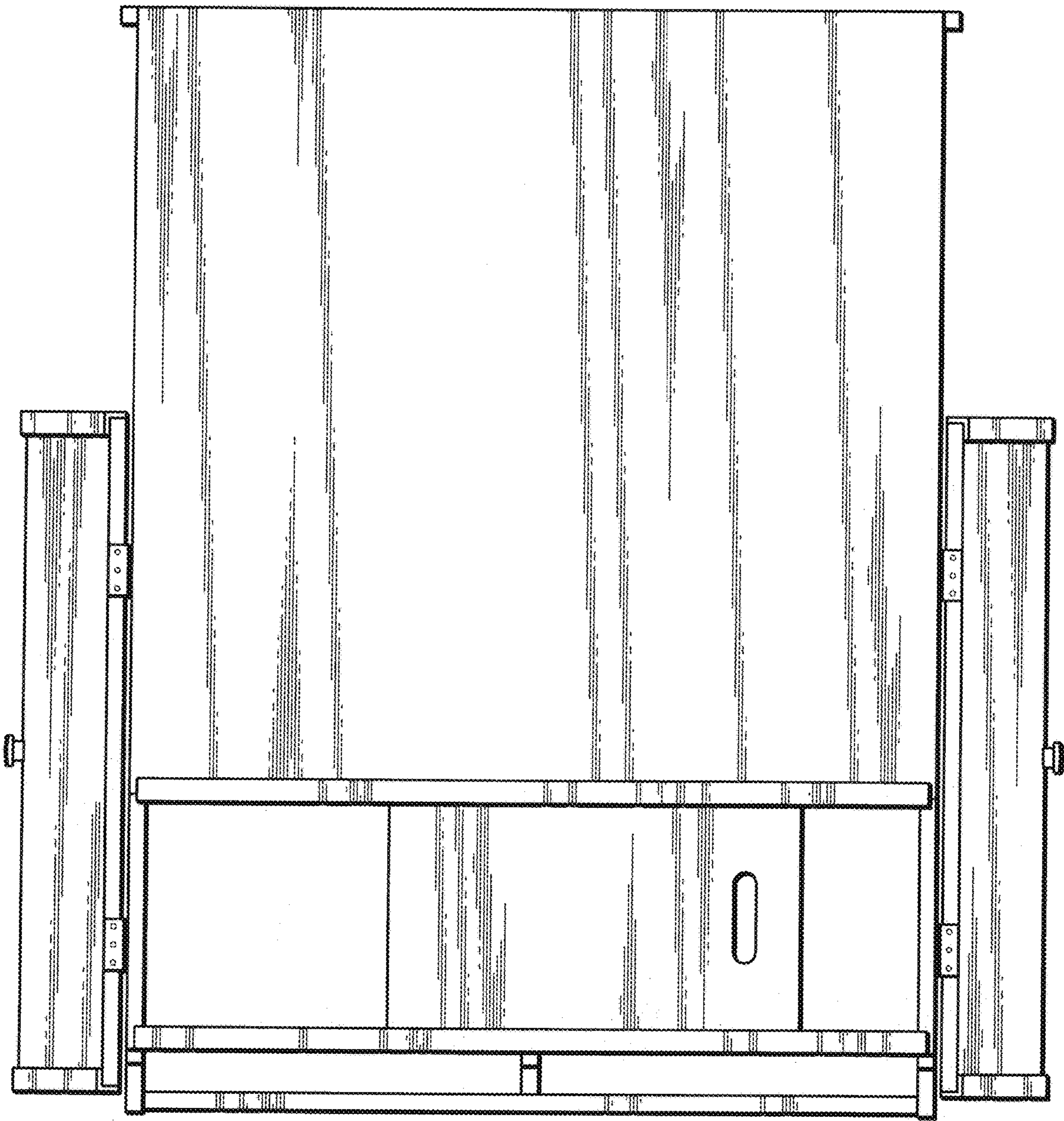


FIG. 13

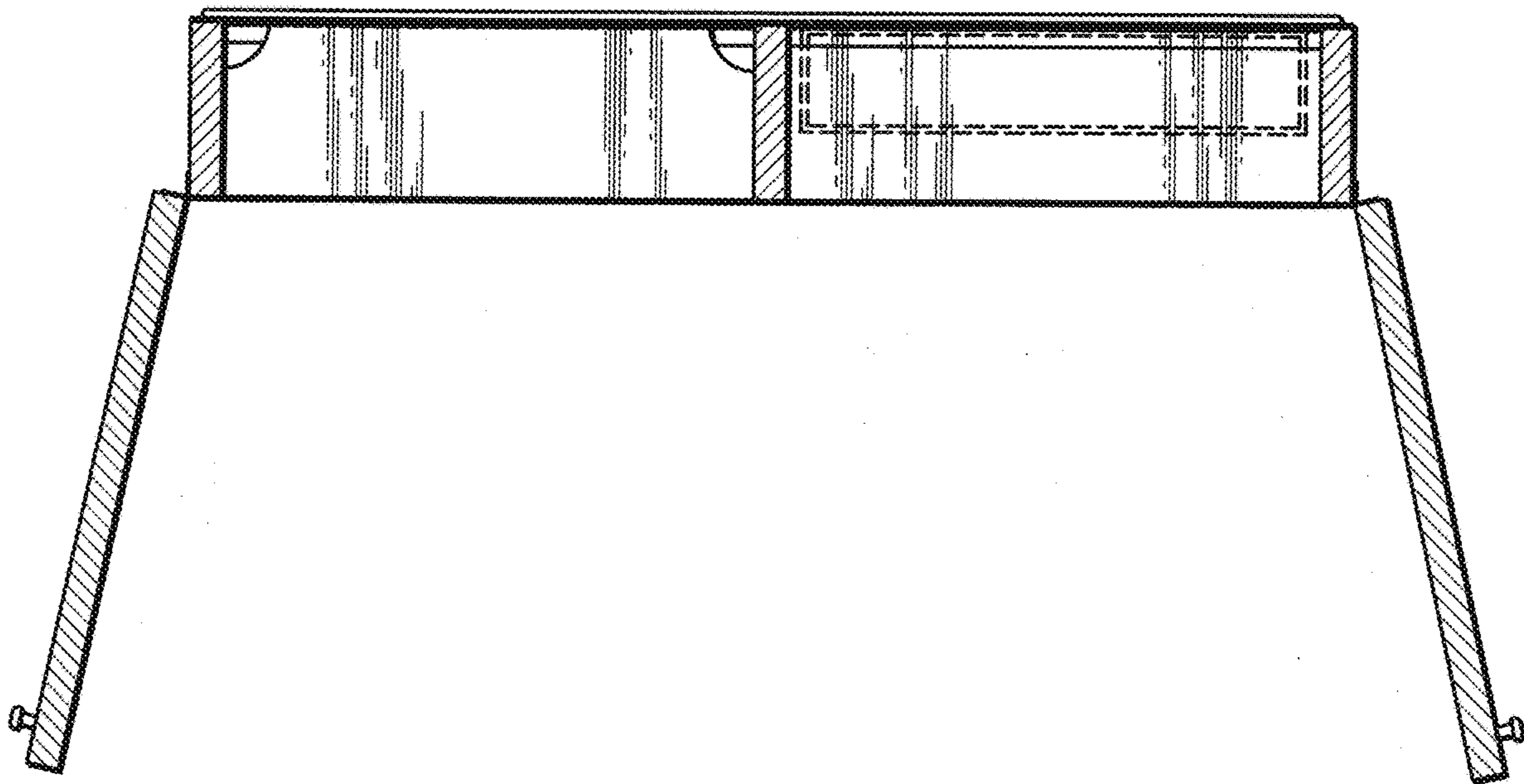


FIG. 1A

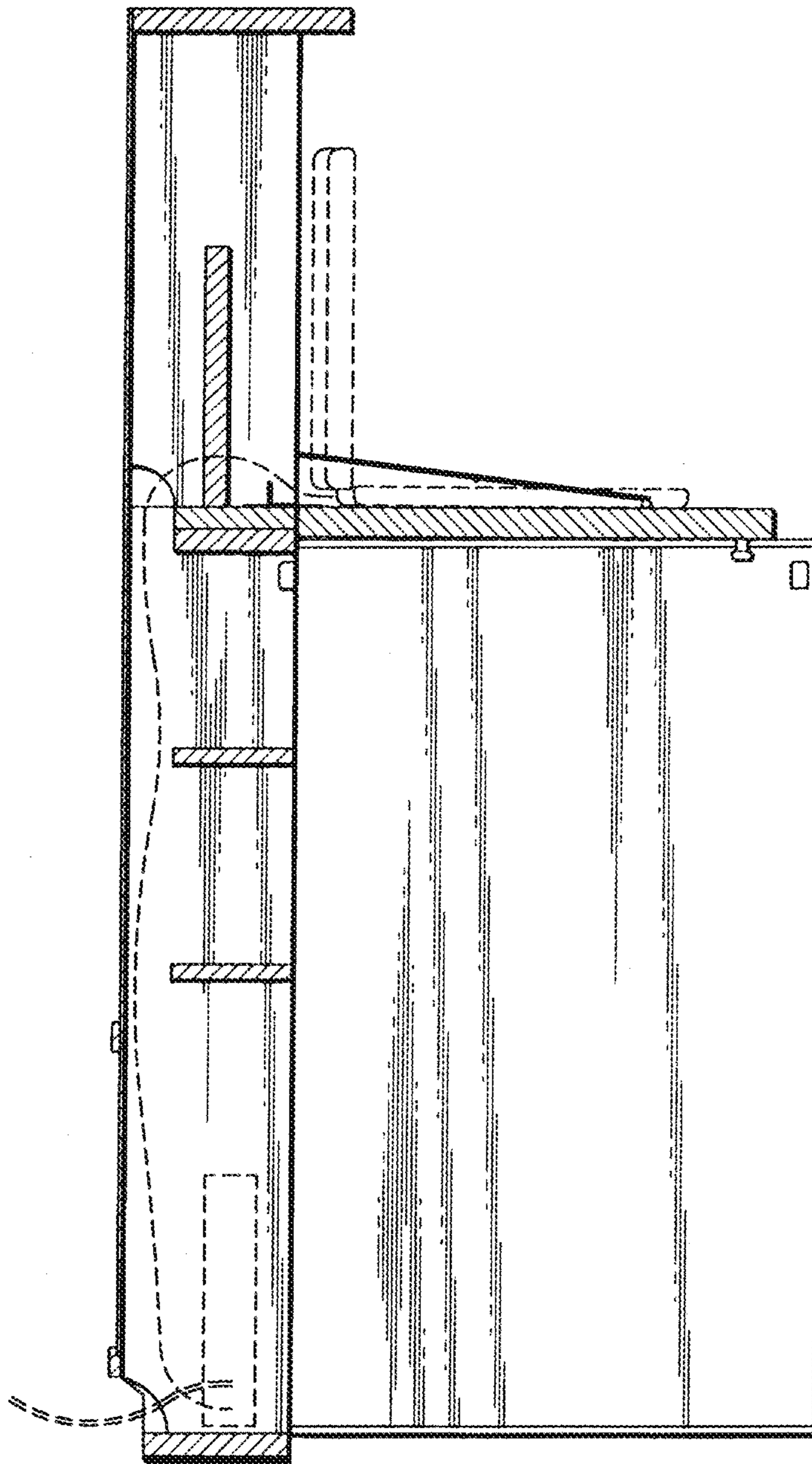


FIG. 15