



US00D945800S

(12) **United States Design Patent**
Xu

(10) **Patent No.:** **US D945,800 S**

(45) **Date of Patent:** **** Mar. 15, 2022**

(54) **CABINET**

(71) Applicant: **AN HUI MAO XIN HOUSEHOLD CRAFTS CO., LTD**, Suzhou (CN)

(72) Inventor: **Yan Xu**, Yiwu (CN)

(**) Term: **15 Years**

(21) Appl. No.: **29/778,324**

(22) Filed: **Apr. 13, 2021**

(51) **LOC (13) Cl.** **06-04**

(52) **U.S. Cl.**
USPC **D6/670**

(58) **Field of Classification Search**
USPC D6/663, 664, 669, 670, 671, 671.1,
D6/671.2, 671.3, 671.4; D7/515;
D14/300, 358
CPC A47B 17/04; A47B 43/00; A47B 47/02;
A47B 47/03; A47B 47/04; A47B 47/05;
A47B 61/00; A47B 47/00; A47B 47/047
See application file for complete search history.

(56) **References Cited**

U.S. PATENT DOCUMENTS

D44,676 S * 9/1913 Carruthers D6/670
D246,146 S * 10/1977 Han D6/670

D426,426 S * 6/2000 Williams D7/515
D467,096 S * 12/2002 DiCostanzo D6/670
D506,193 S * 6/2005 Shoushtari D14/300
D835,614 S * 12/2018 Kahn D14/358
D870,494 S 12/2019 Leng
D874,192 S 2/2020 Velez et al.
D908,404 S 1/2021 Davis et al.

* cited by examiner

Primary Examiner — Mimosa De

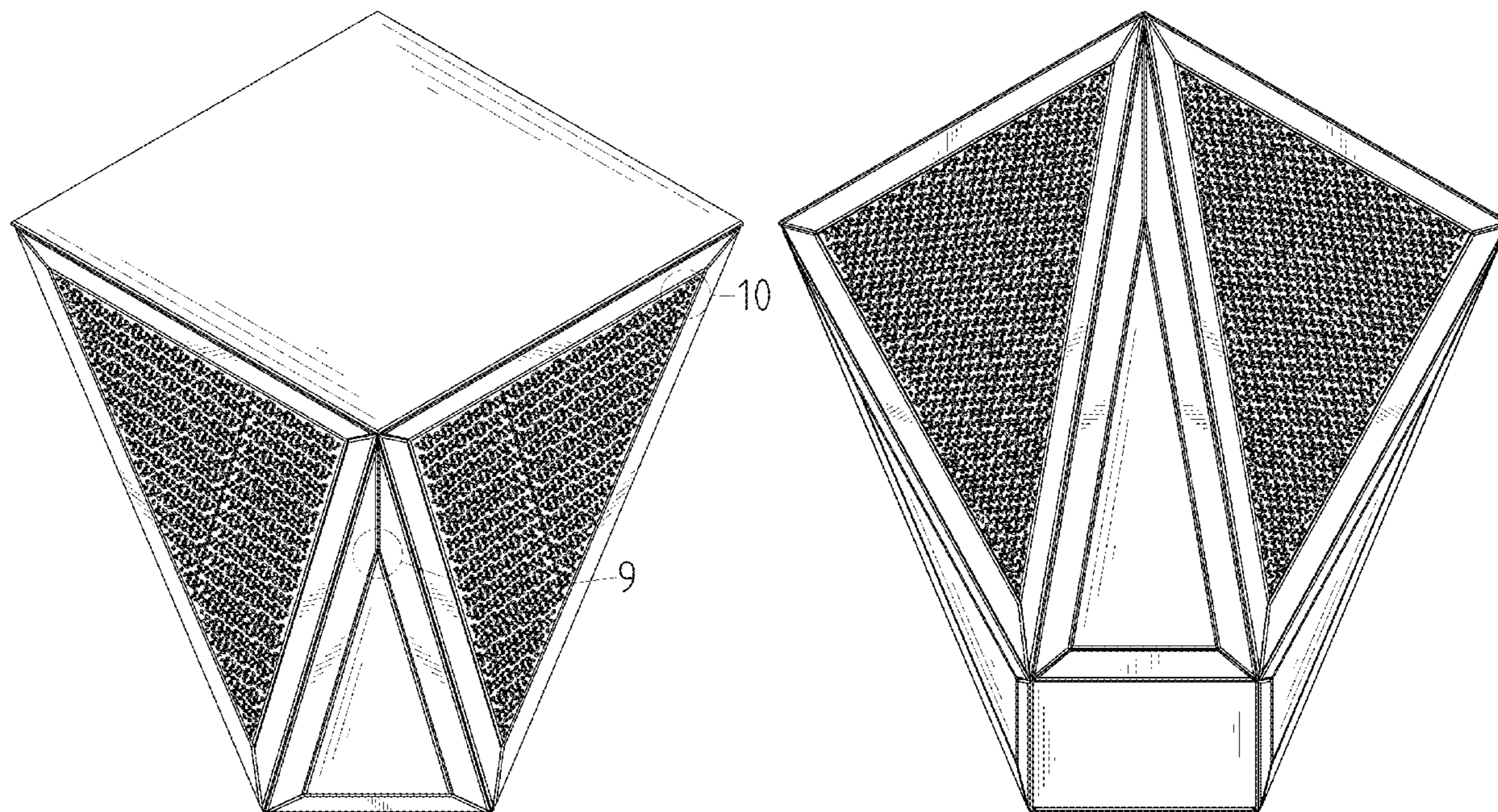
(57) **CLAIM**

The ornamental design for a cabinet, as shown and described.

DESCRIPTION

FIG. 1 is a first perspective view of a cabinet showing my new design;
FIG. 2 is a second perspective view thereof;
FIG. 3 is a front view thereof;
FIG. 4 is a back view thereof;
FIG. 5 is a left side view thereof;
FIG. 6 is a right side view thereof;
FIG. 7 is a top view thereof;
FIG. 8 is a bottom view thereof;
FIG. 9 is an enlarged view of the selected portion in FIG. 1; and,
FIG. 10 is an enlarged view of the selected portion in FIG. 1.

1 Claim, 10 Drawing Sheets



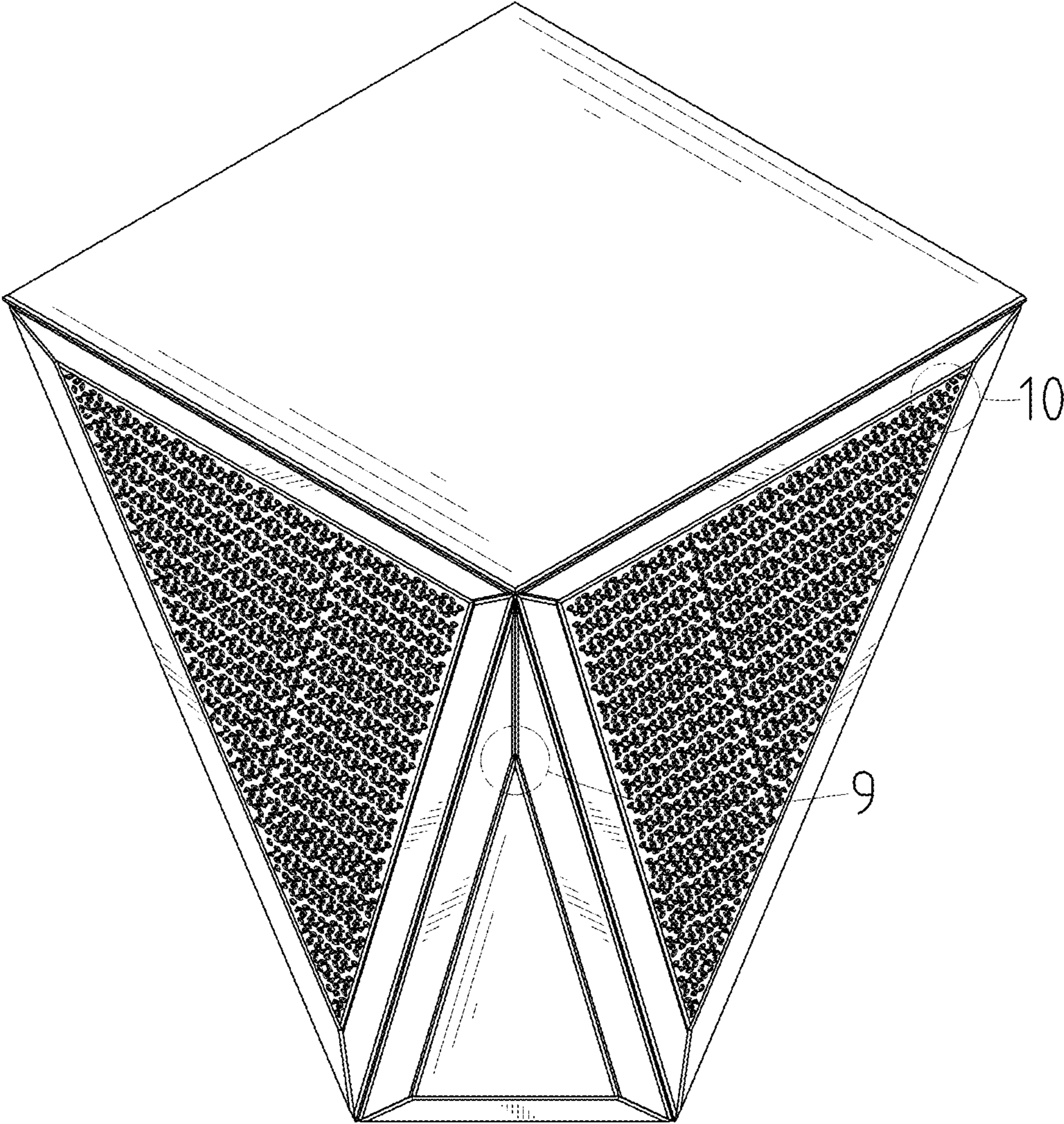


FIG. 1

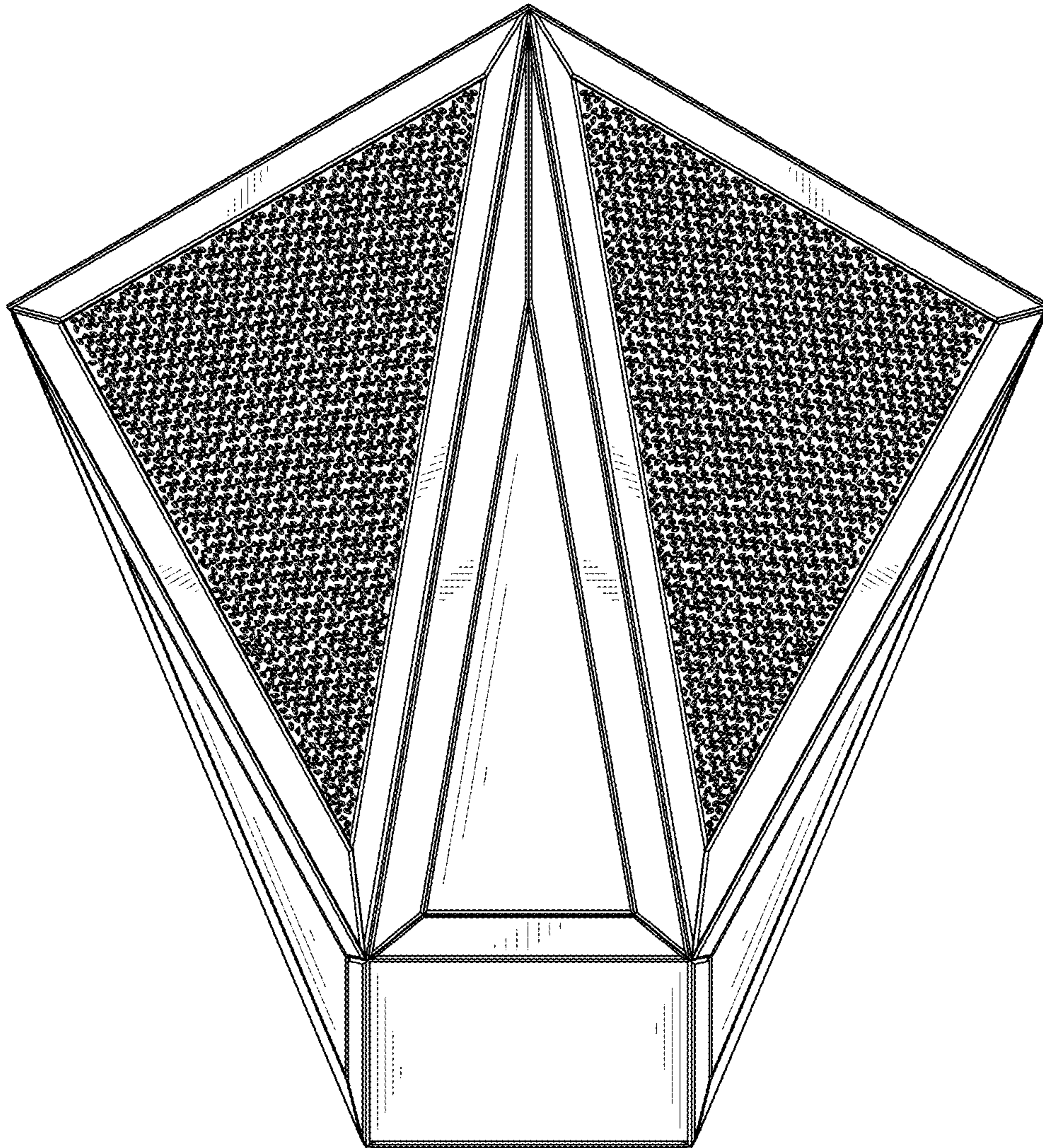


FIG. 2

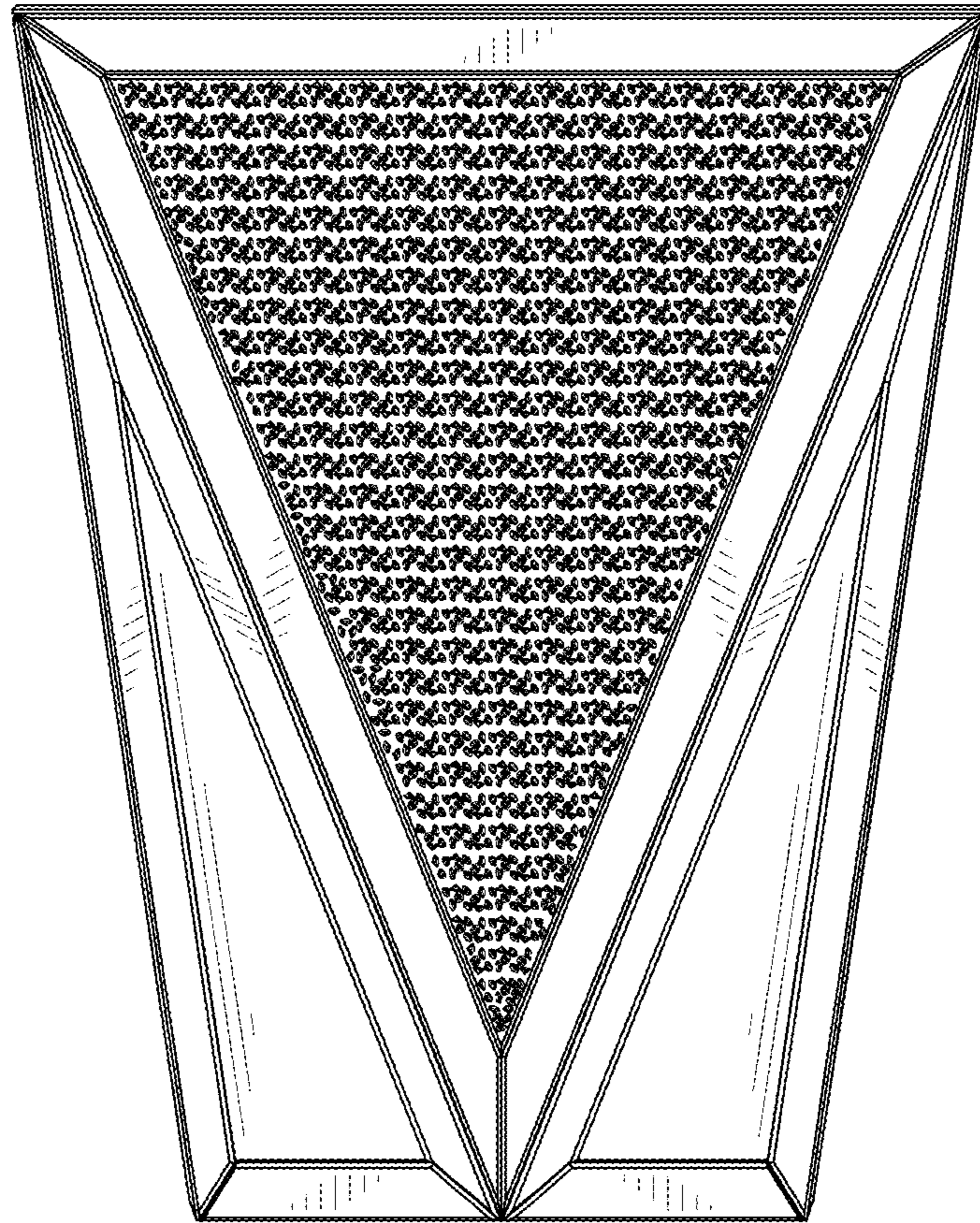


FIG. 3

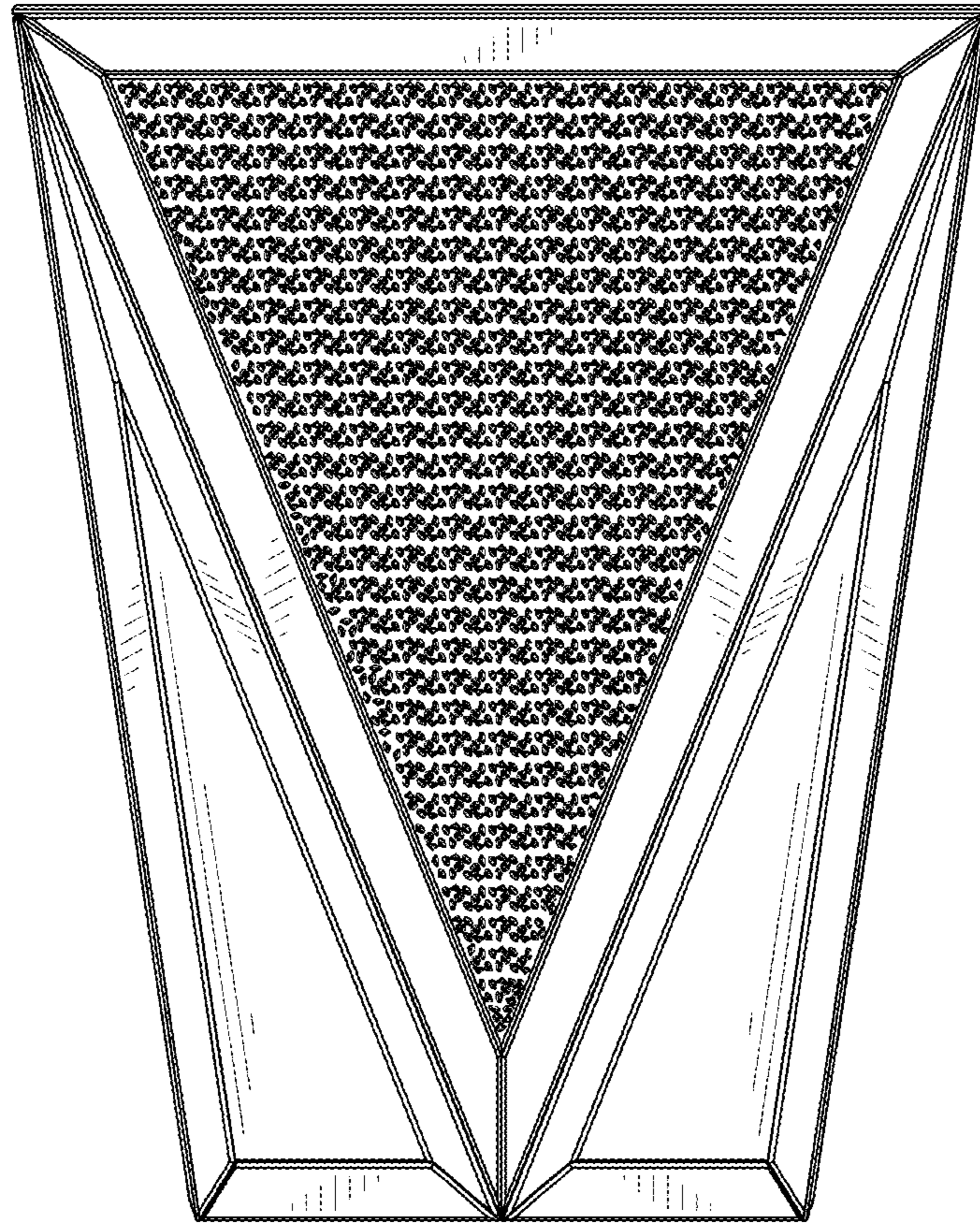


FIG. 4

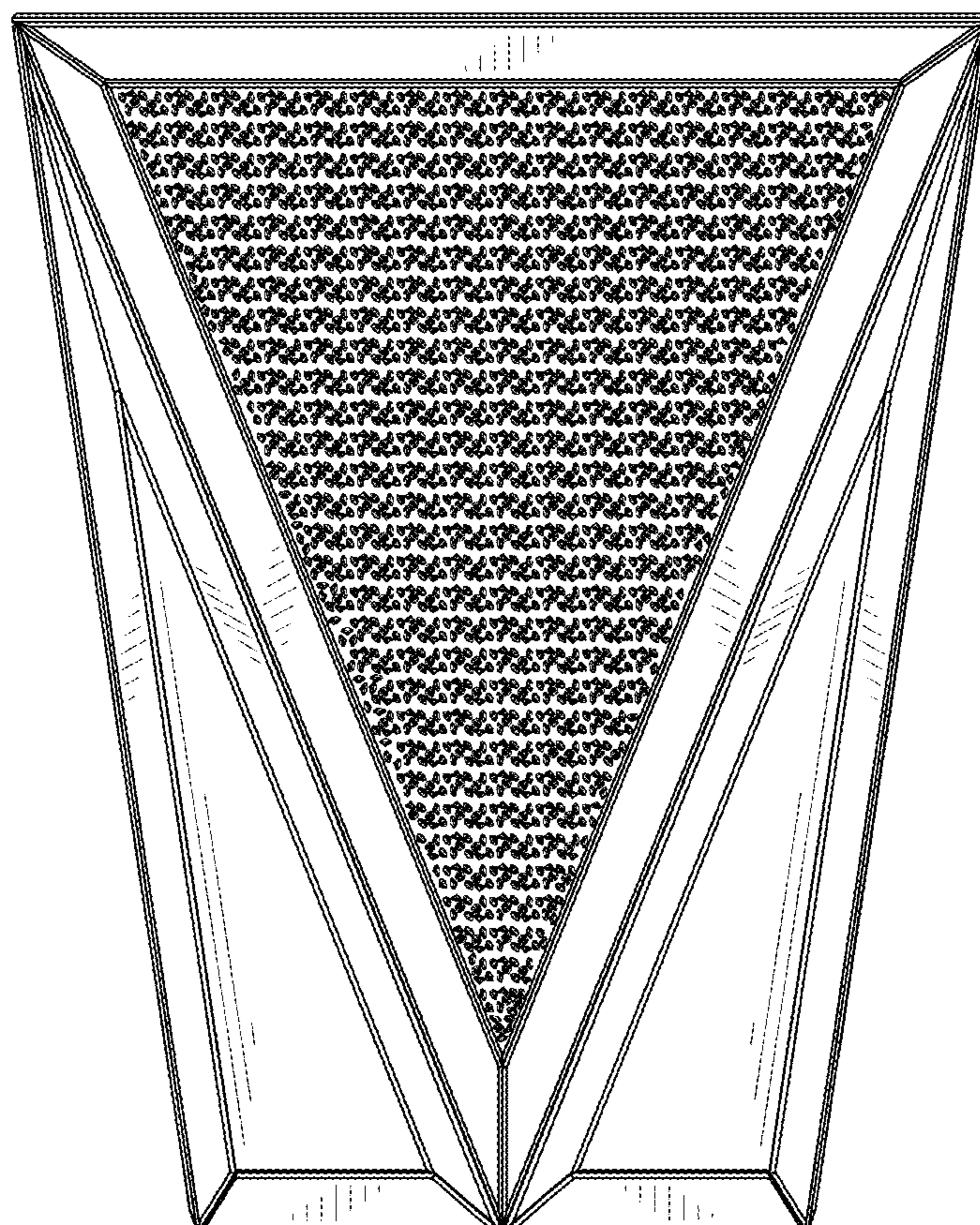


FIG. 5

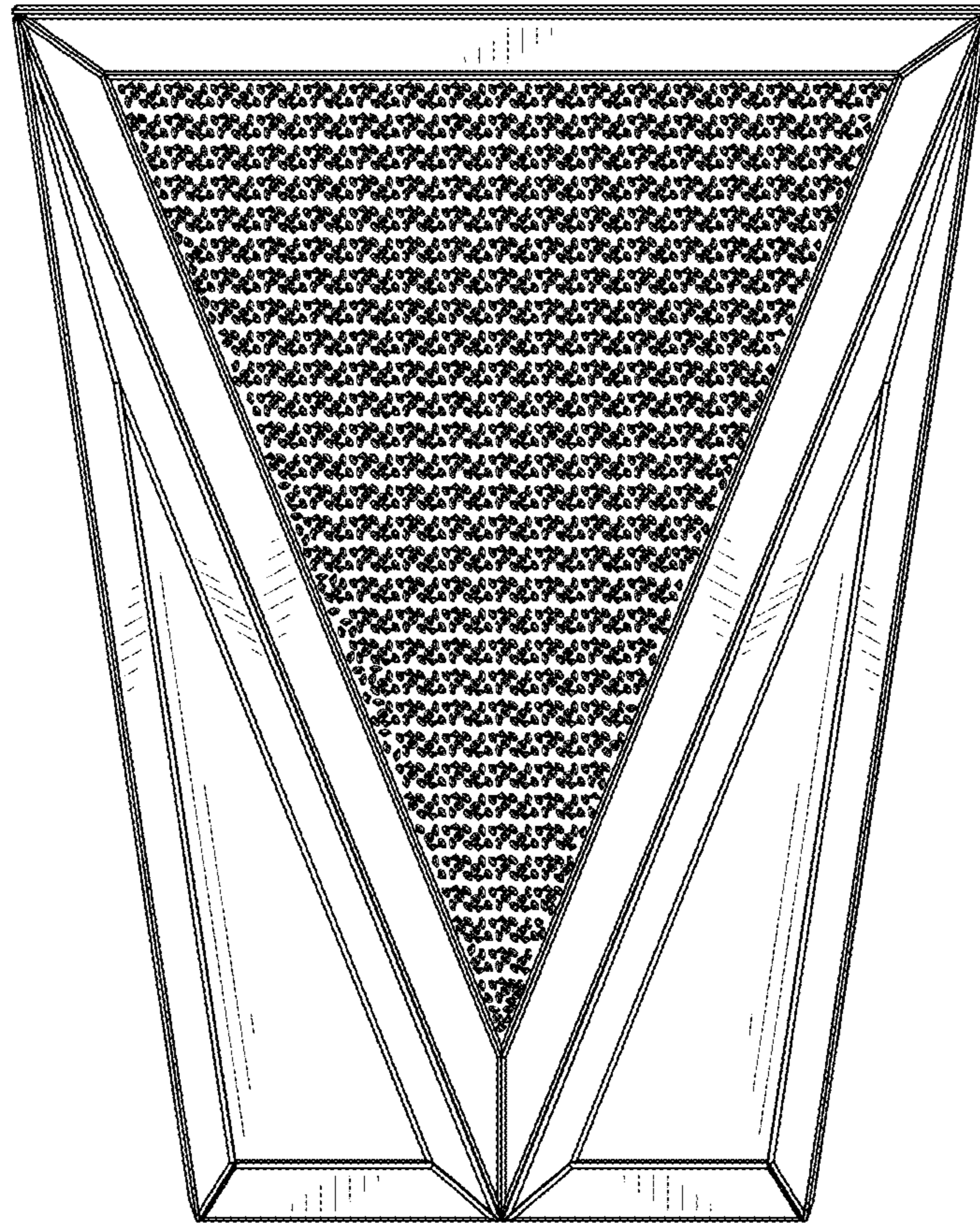


FIG. 6

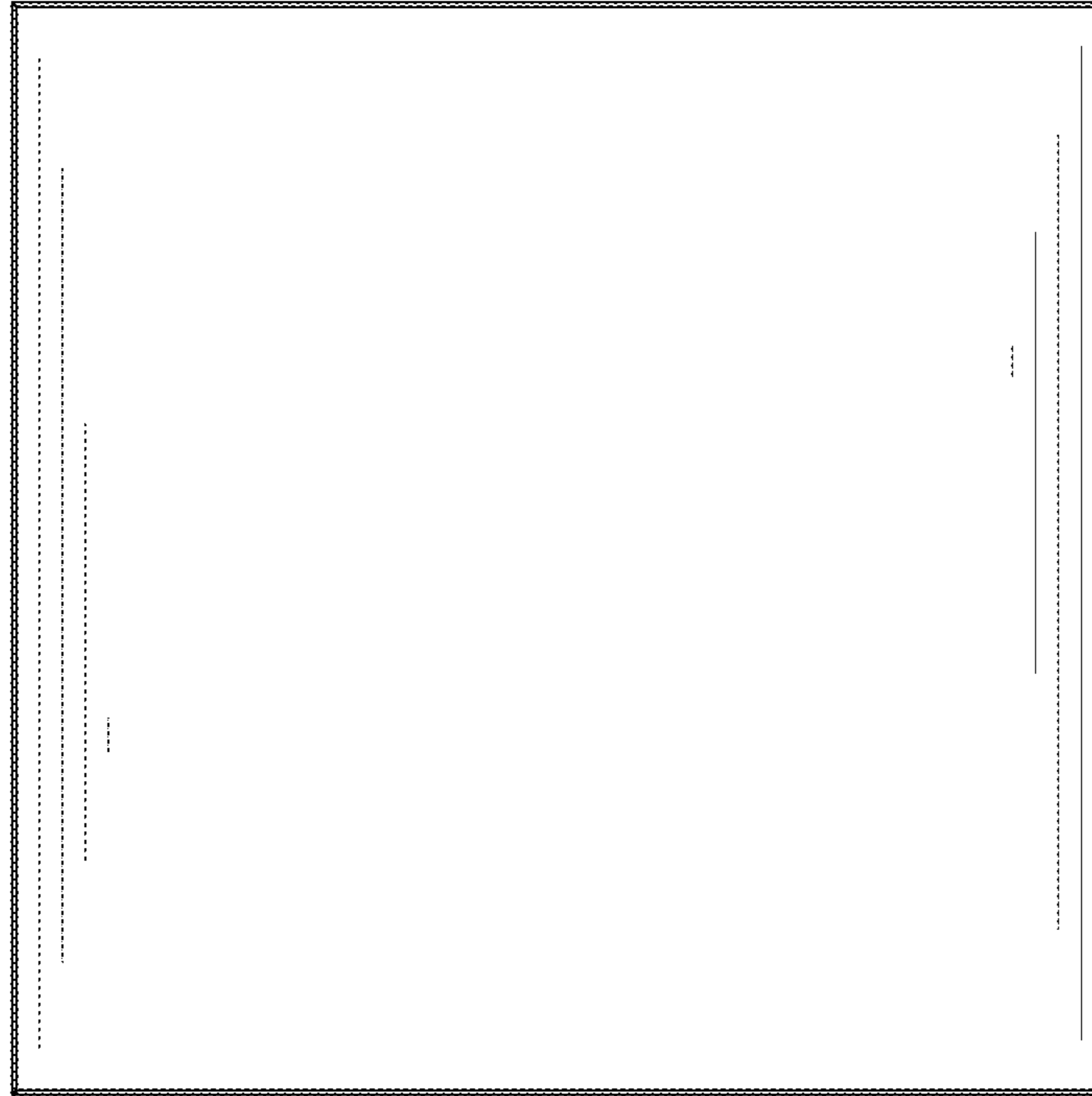


FIG. 7

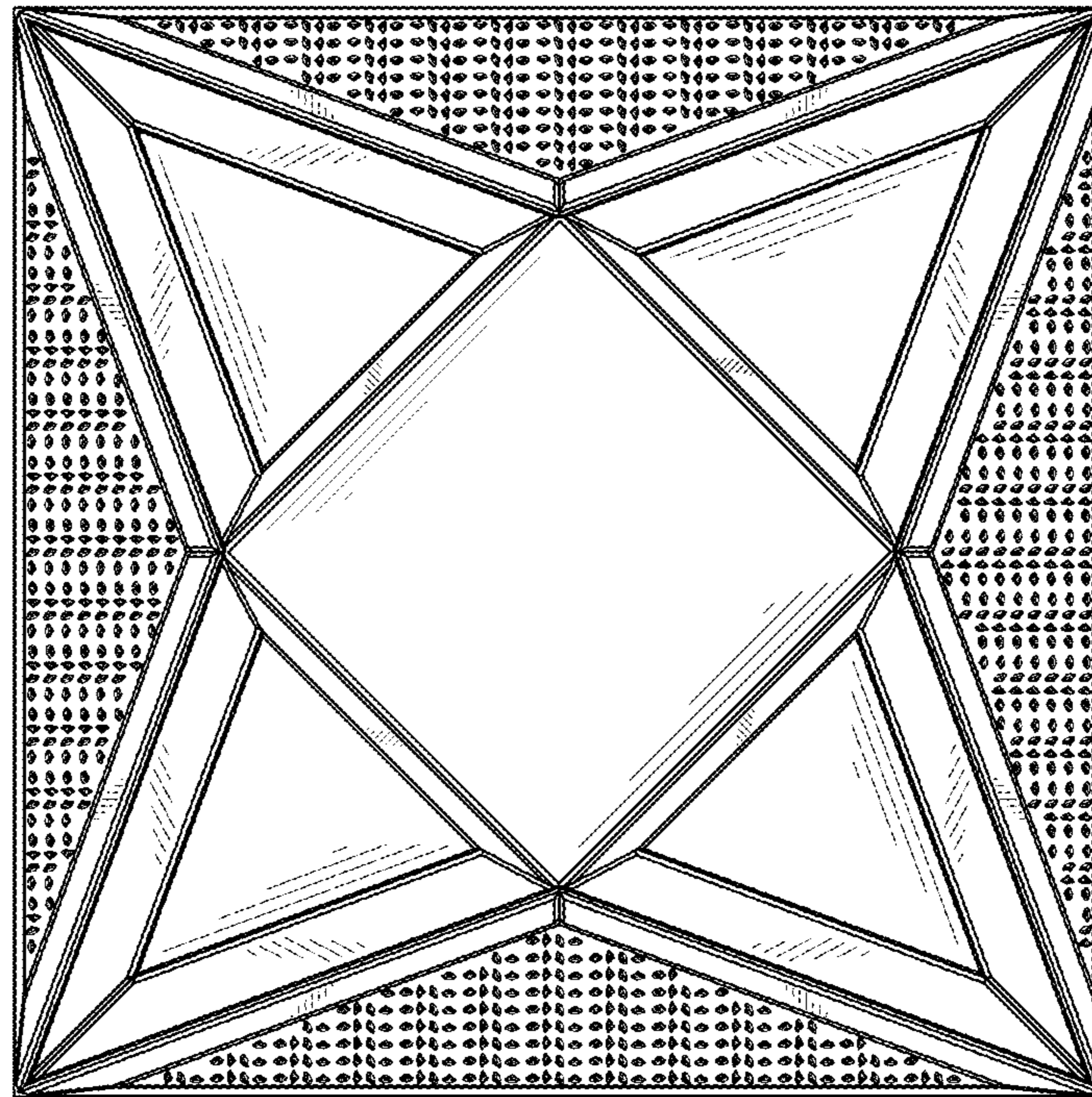


FIG. 8

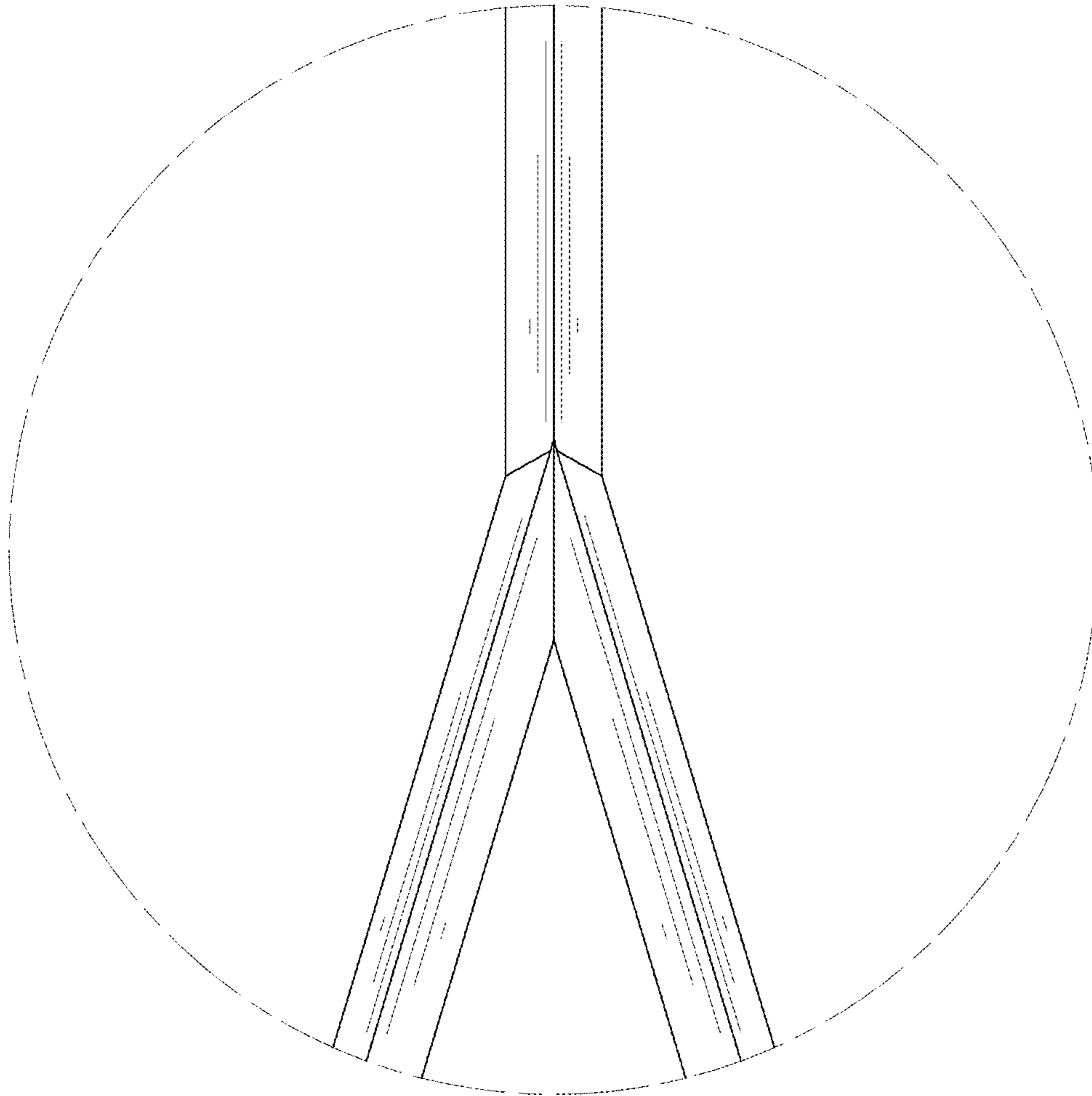


FIG. 9

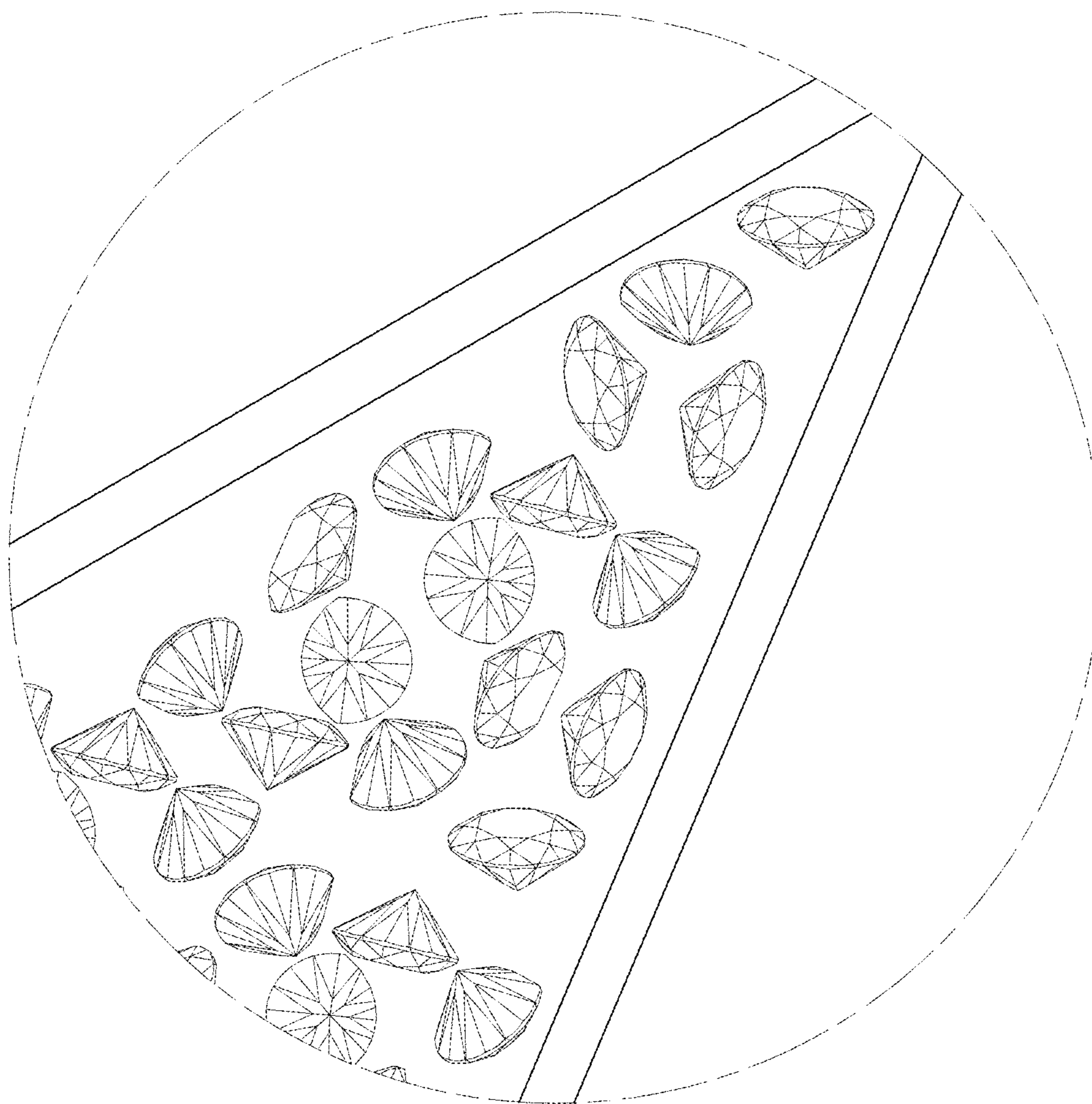


FIG. 10