



US00D945798S

(12) **United States Design Patent**
Yamamoto

(10) **Patent No.:** **US D945,798 S**
(45) **Date of Patent:** **** Mar. 15, 2022**

(54) **DESK**
(71) Applicant: **OKAMURA CORPORATION,**
Yokohama (JP)
(72) Inventor: **Takayuki Yamamoto,** Yokohama (JP)
(73) Assignee: **Okamura Corporation,** Yokohama (JP)
(**) Term: **15 Years**

(21) Appl. No.: **29/728,088**
(22) Filed: **Mar. 16, 2020**

(30) **Foreign Application Priority Data**

Sep. 19, 2019 (JP) 2019-020954

(51) **LOC (13) Cl.** **06-03**

(52) **U.S. Cl.**
USPC **D6/655**

(58) **Field of Classification Search**
USPC D6/612, 642, 655, 655.1, 655.11, 655.12,
D6/655.17-655.19, 685, 686, 697, 697.1,
D6/713

CPC A47B 5/00; A47B 5/06; A47B 7/00; A47B
13/00; A47B 13/02; A47B 13/04; A47B
13/06; A47B 13/08; A47B 13/10; A47B
13/12; A47B 13/16; A47B 17/00; A47B
17/003; A47B 17/006; A47B 21/00; A47B
2200/0001; A47B 2200/0002; A47B
2200/0011; A47B 2200/002; A47B
2200/0003; A47B 2200/0066

See application file for complete search history.

(56) **References Cited**

U.S. PATENT DOCUMENTS

D132,947 S * 7/1942 Banks D6/644
3,128,727 A * 4/1964 Rainwater A47B 3/10
108/129

D220,704 S * 5/1971 Kramer A47B 13/06
D6/691.8
D234,655 S * 4/1975 Stiene A47B 3/10
D6/697.1
4,827,850 A * 5/1989 Diffrient A47B 1/04
108/50.02
D473,728 S * 4/2003 Chang D6/655
D489,200 S * 5/2004 Antonioni D6/655.21
D503,570 S * 4/2005 Anderson D6/349
D549,992 S * 9/2007 Barnard D6/697

(Continued)

Primary Examiner — Mary Ann Calabrese

(74) *Attorney, Agent, or Firm* — Sughrue Mion, PLLC

(57) **CLAIM**

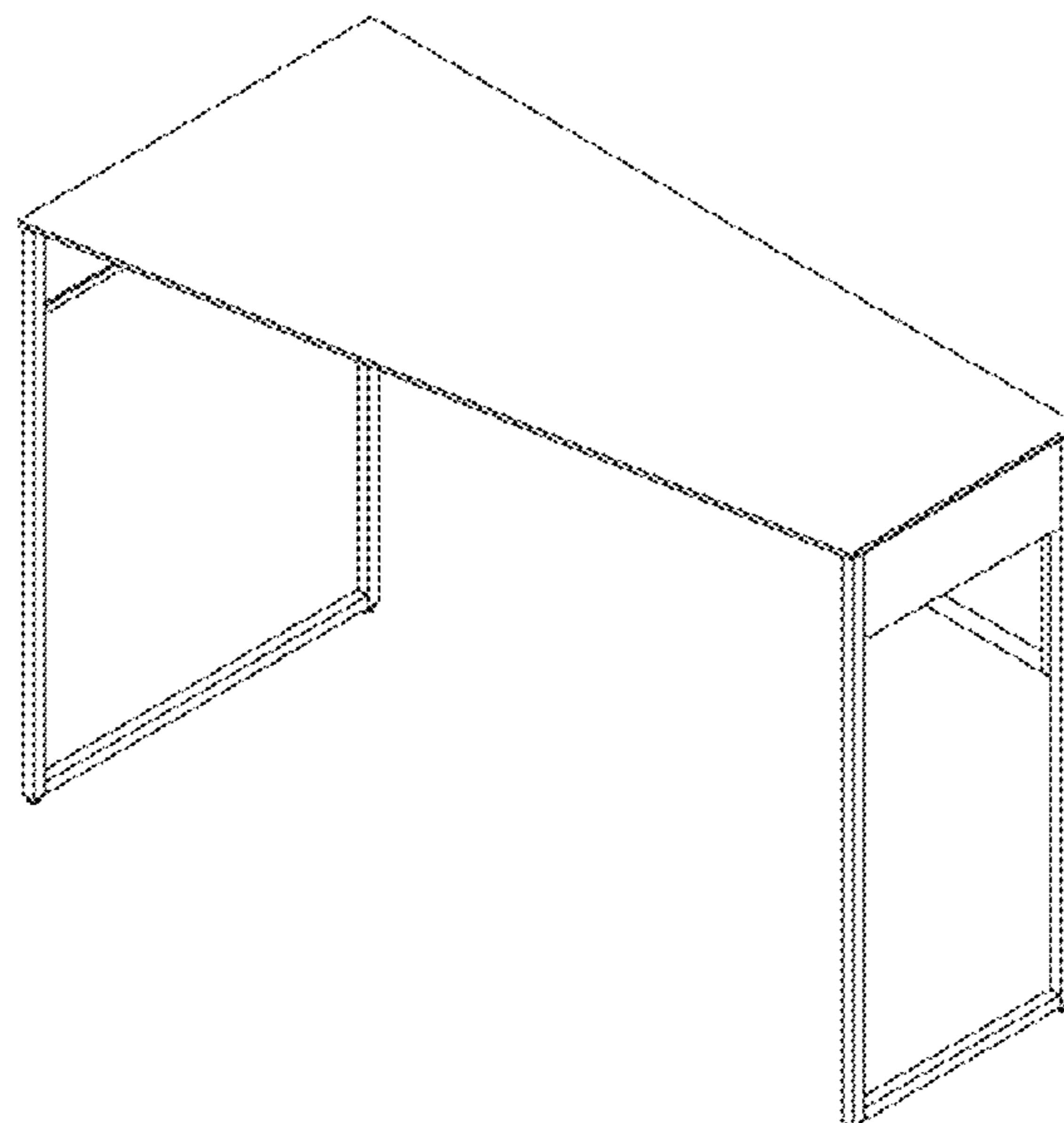
The ornamental design for a desk, as shown and described.

DESCRIPTION

FIG. 1 is a perspective view of a desk;
FIG. 2 is a front elevation view thereof;
FIG. 3 is a right side elevation view thereof;
FIG. 4 is a top plan view thereof;
FIG. 5 is a left side elevation view thereof;
FIG. 6 is a rear elevation view hereof;
FIG. 7 is a bottom plan view thereof;
FIG. 8 is a cross sectional view thereof, taken along line 8-8
of FIG. 2;
FIG. 9 is a cross sectional view thereof, taken along line 9-9
of FIG. 2;
FIG. 10 is a cross sectional view thereof, taken along line
10-10 of FIG. 3;
FIG. 11 is an enlarged view thereof, annotated portion 11 in
FIG. 8; and,
FIG. 12 is an enlarged view thereof, annotated portion 12 in
FIG. 9.

The one-dot broken lines in FIGS. 8 and 9 identify the areas
that are illustrated in the enlarged views of FIGS. 11 and 12.
The one-dot broken lines form no part of the claimed design.

1 Claim, 12 Drawing Sheets



(56)

References Cited

U.S. PATENT DOCUMENTS

7,456,349	B2 *	11/2008	Sugimoto	G10H 1/32 108/144.11
D584,542	S *	1/2009	Martin	D6/656
D618,017	S *	6/2010	Sexton	D6/656.18
D703,465	S *	4/2014	Weatherly	D6/656.16
10,477,962	B1 *	11/2019	Kourieh	A47B 13/06
D910,342	S *	2/2021	Li	A47B 1/04 D6/656

* cited by examiner

FIG. 1

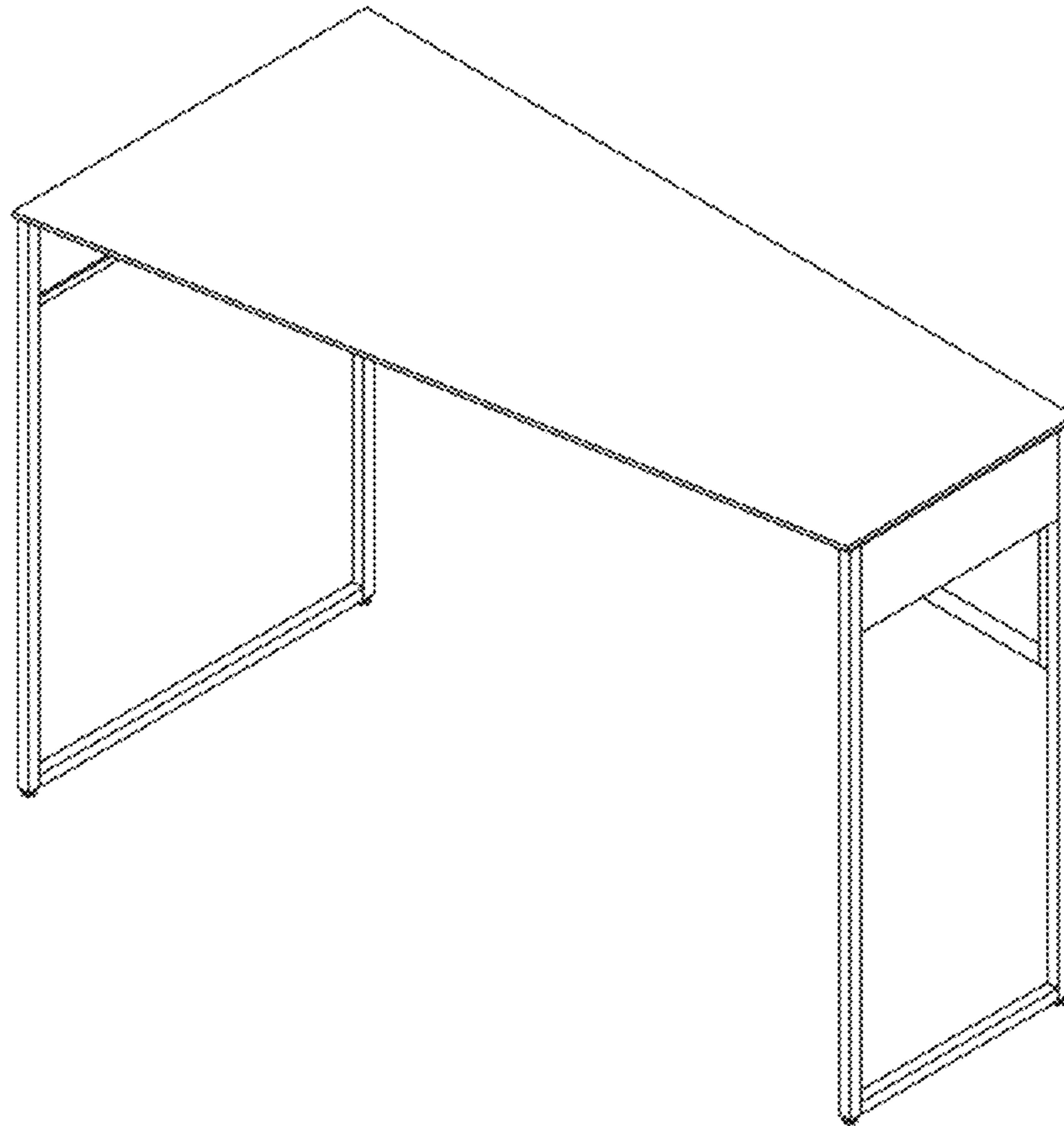


FIG. 2

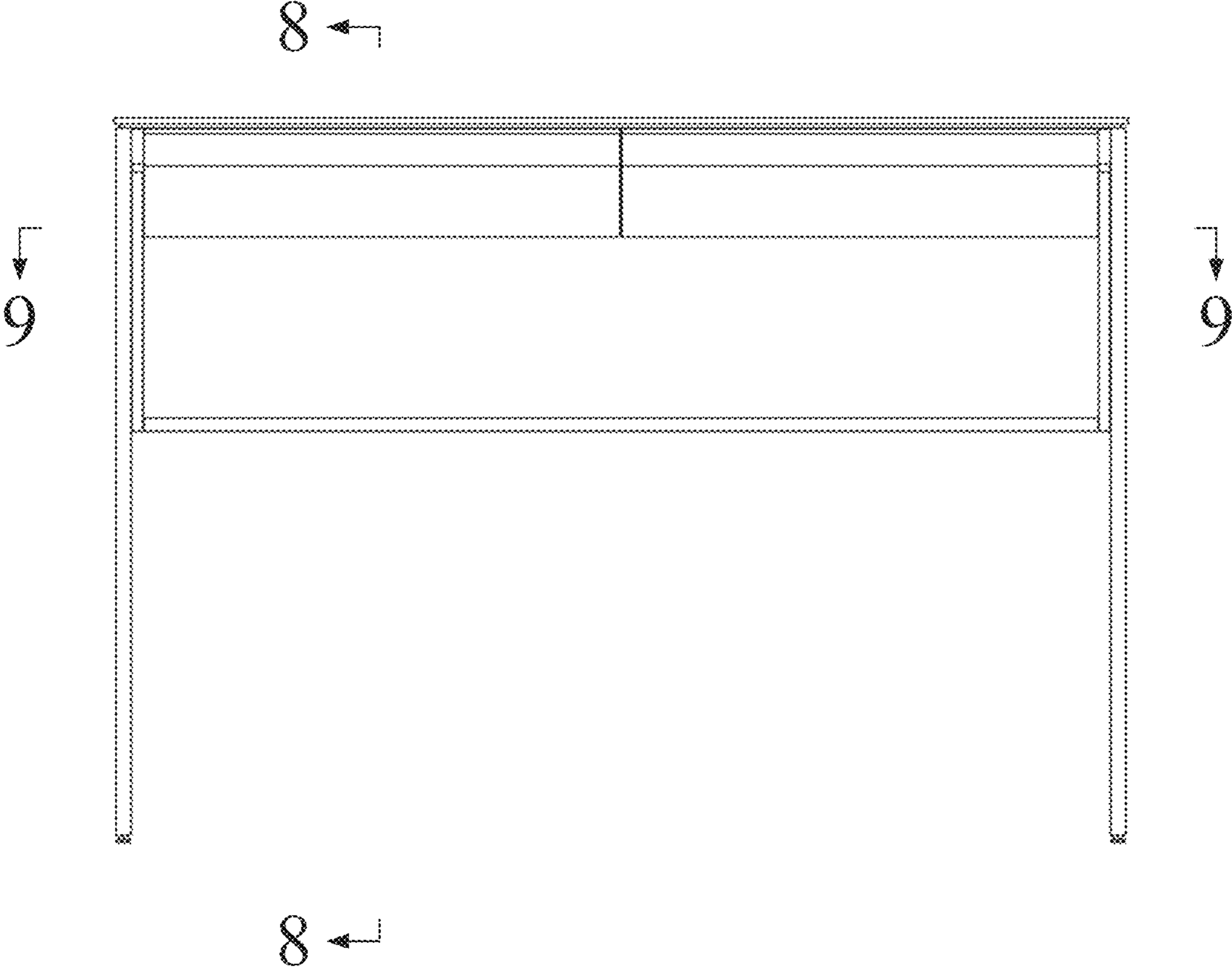


FIG. 3

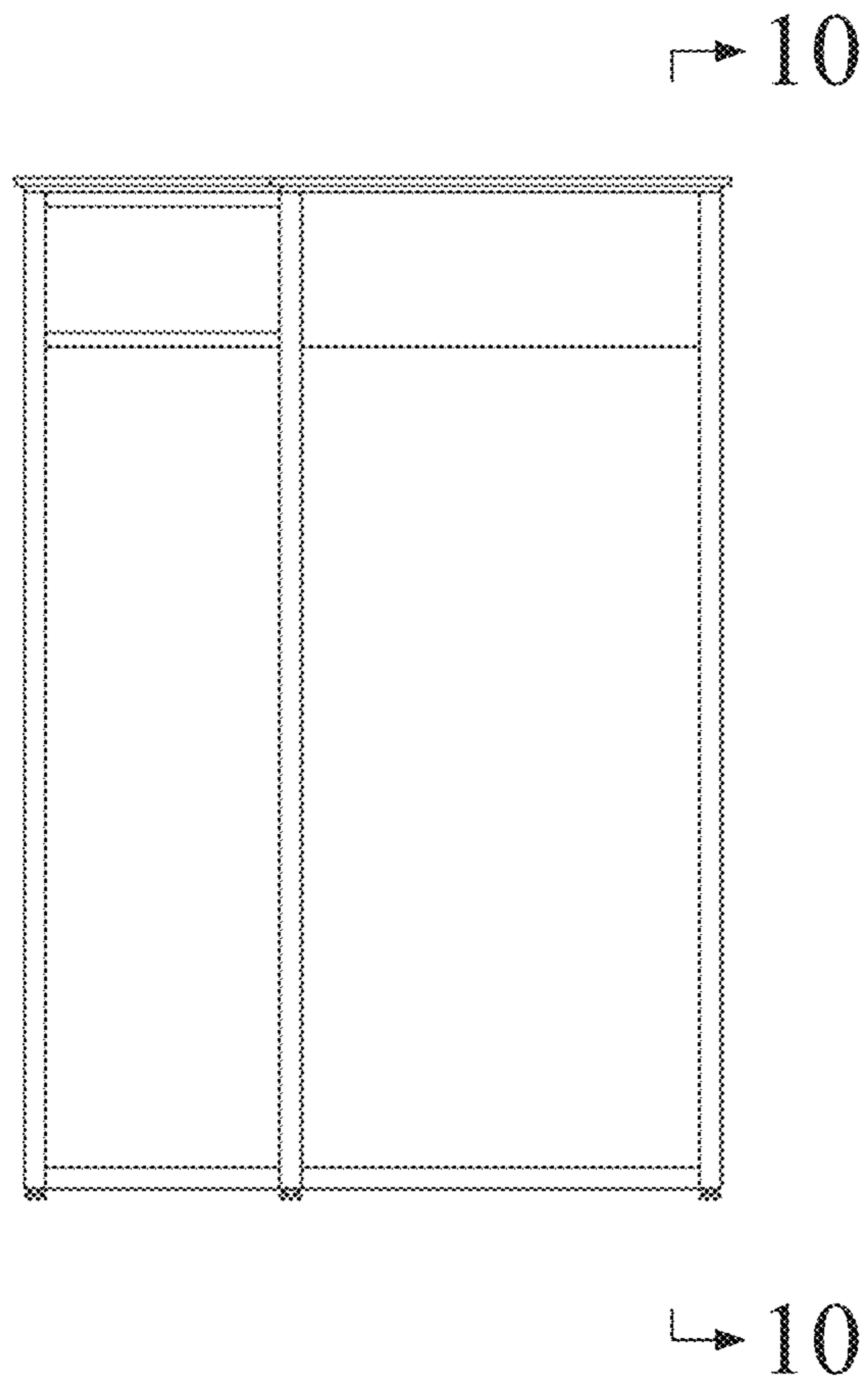


FIG. 4

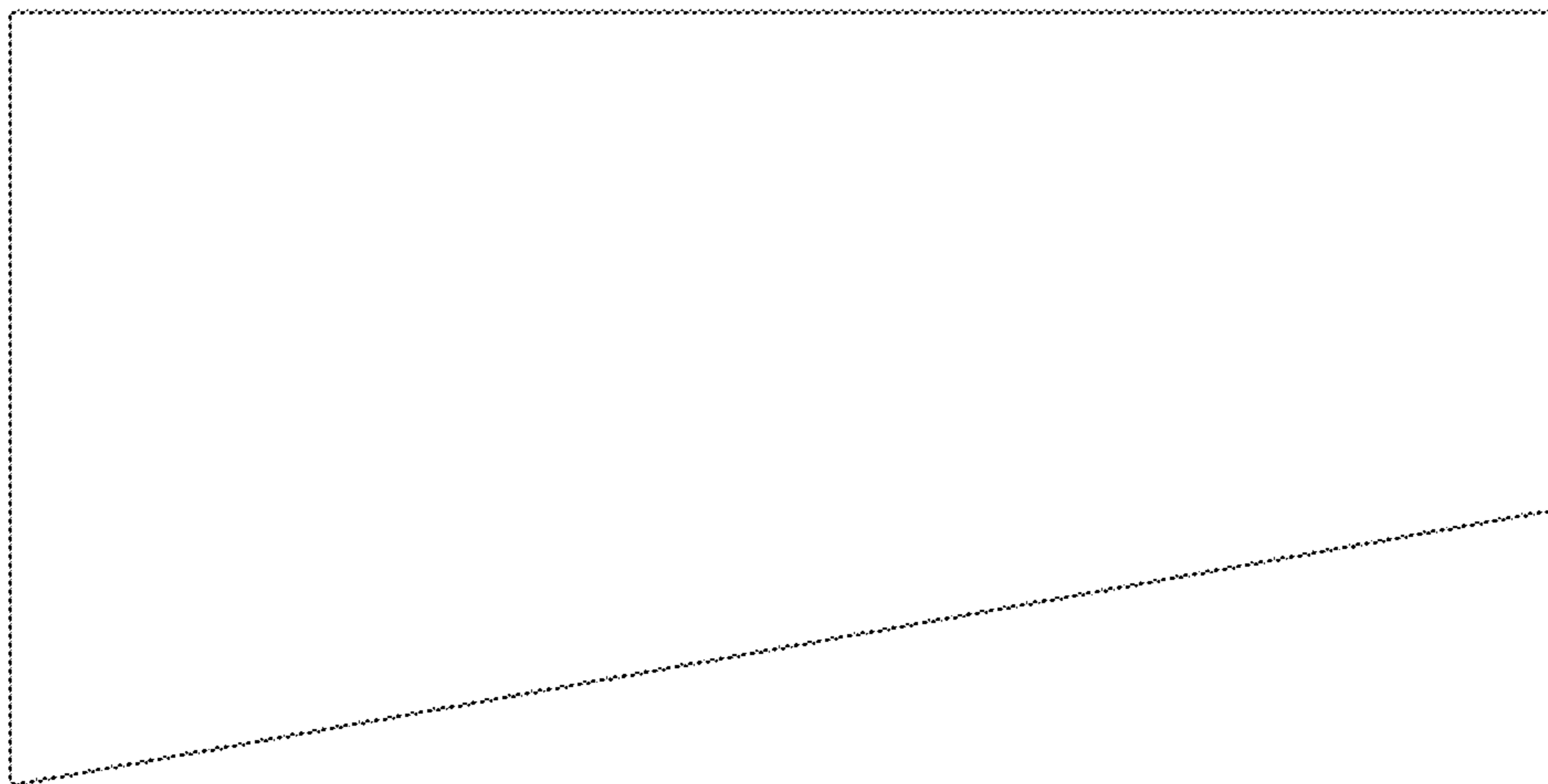


FIG. 5

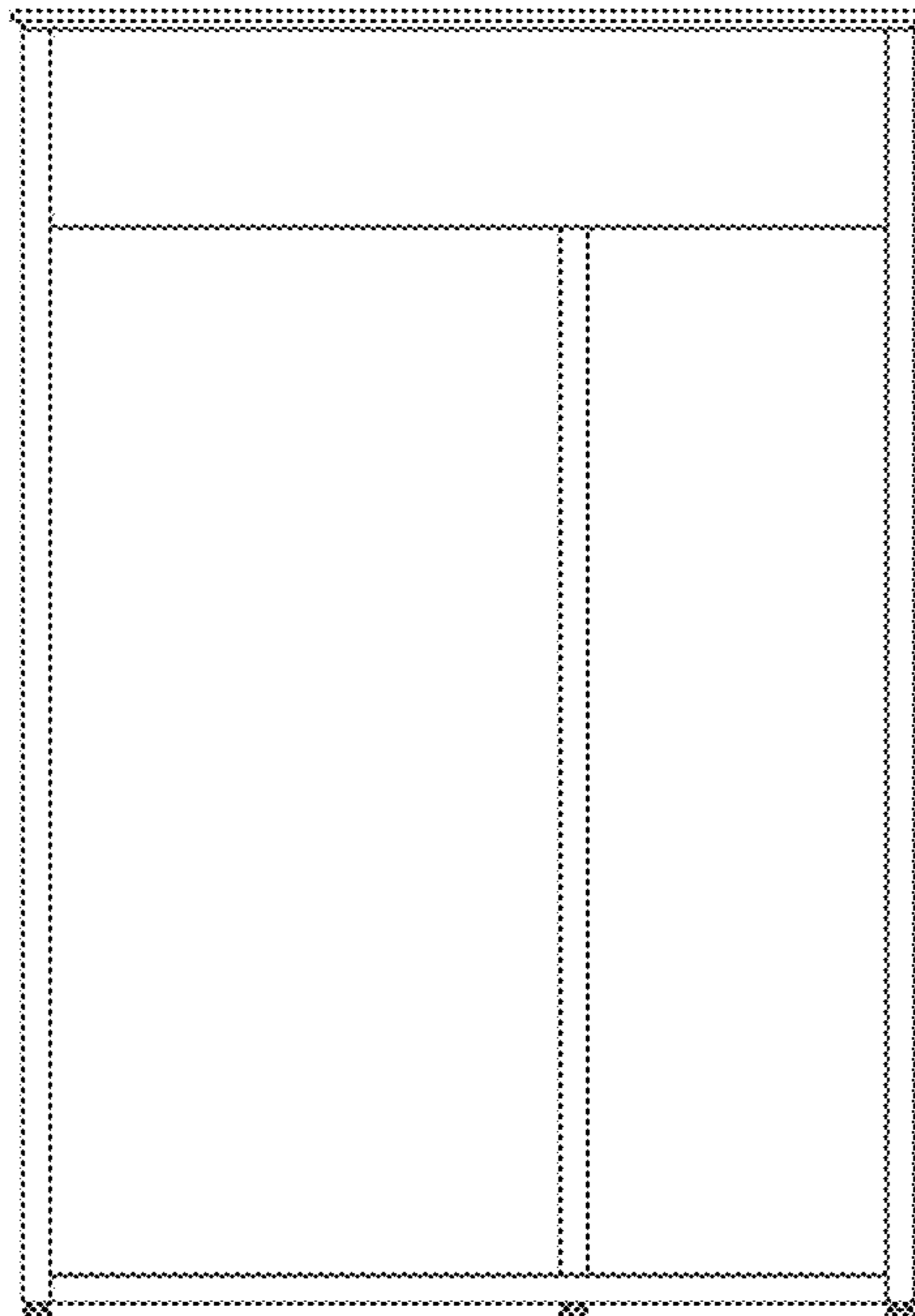


FIG. 6

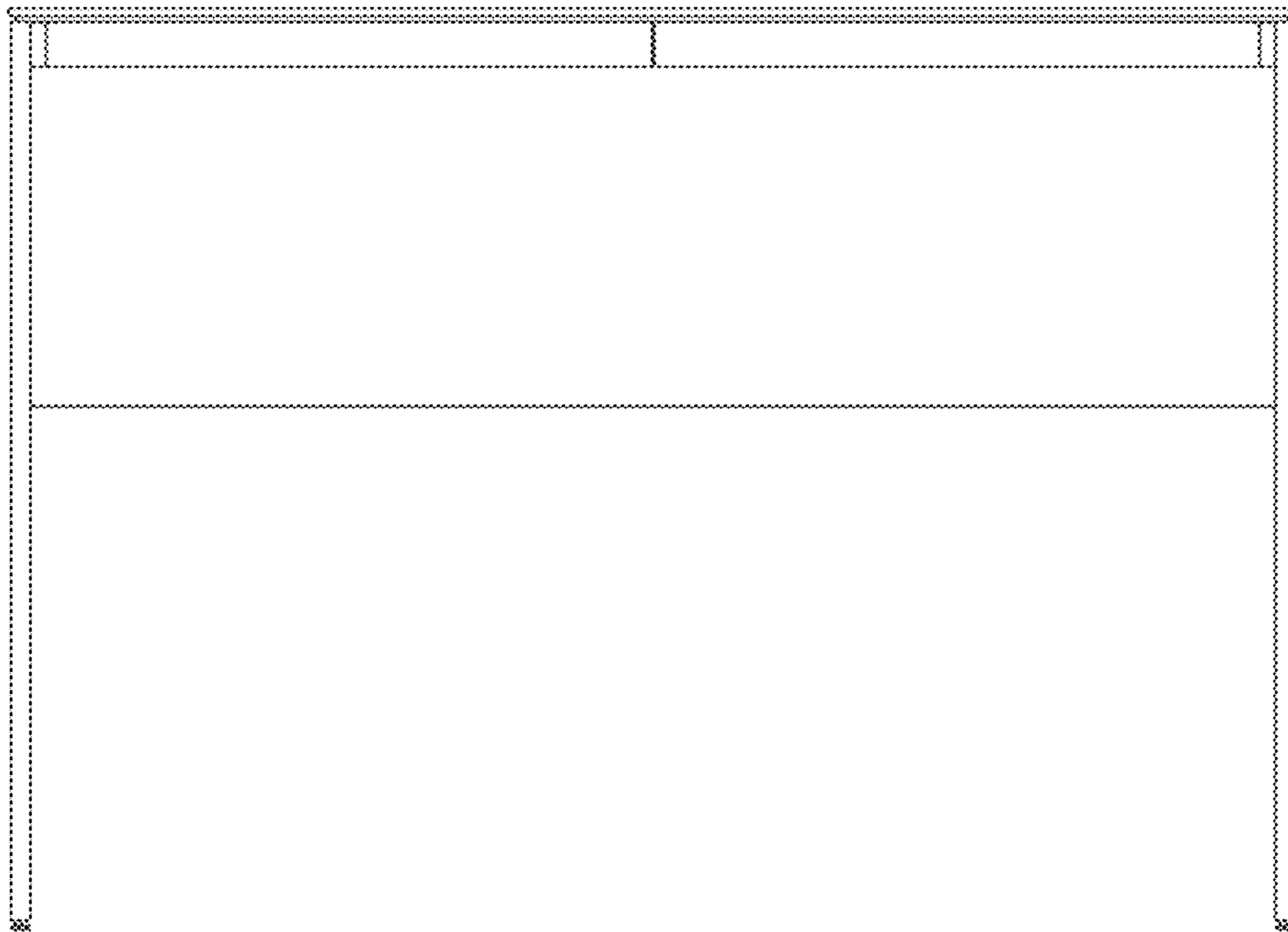


FIG. 7

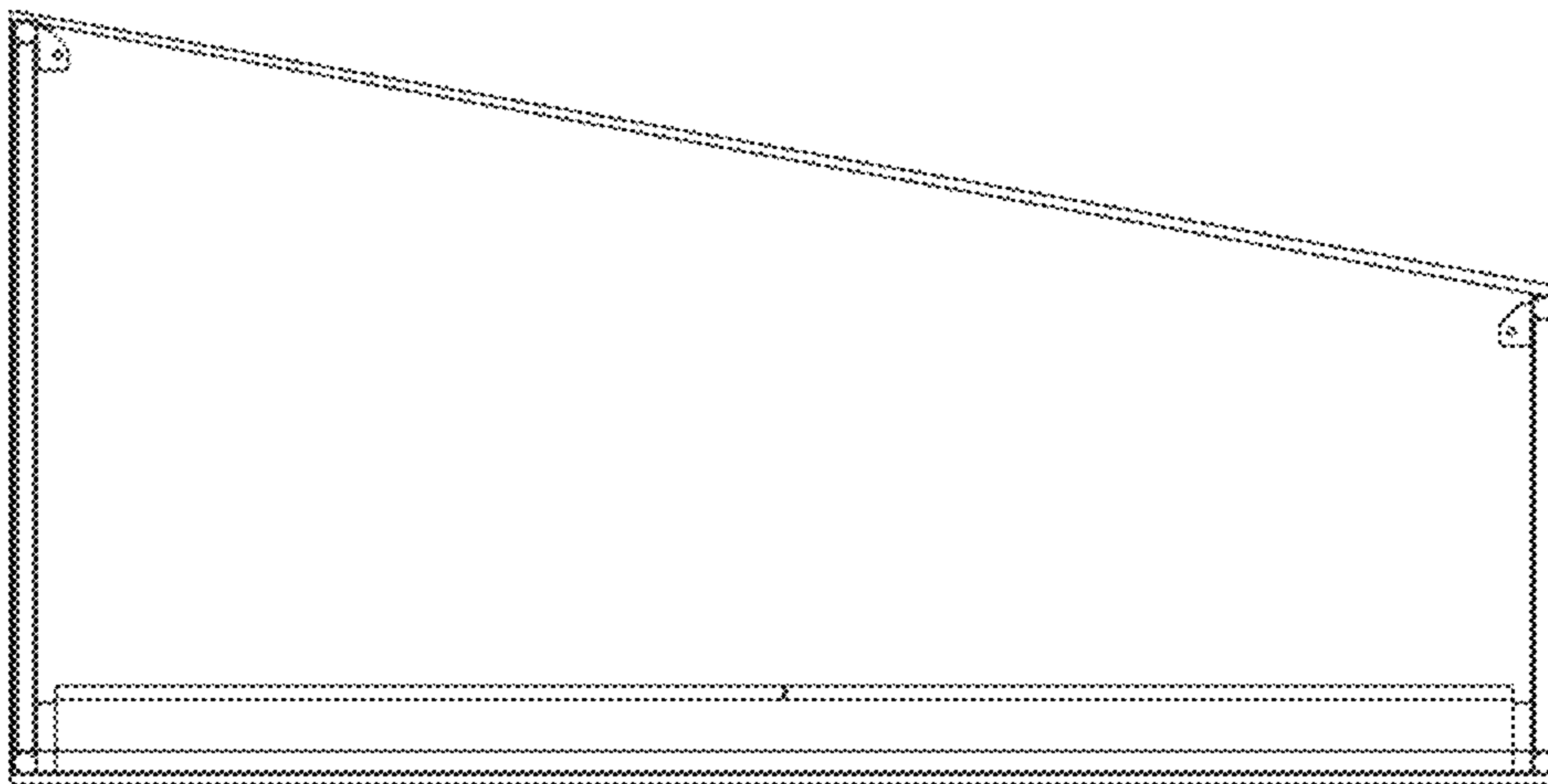


FIG. 8

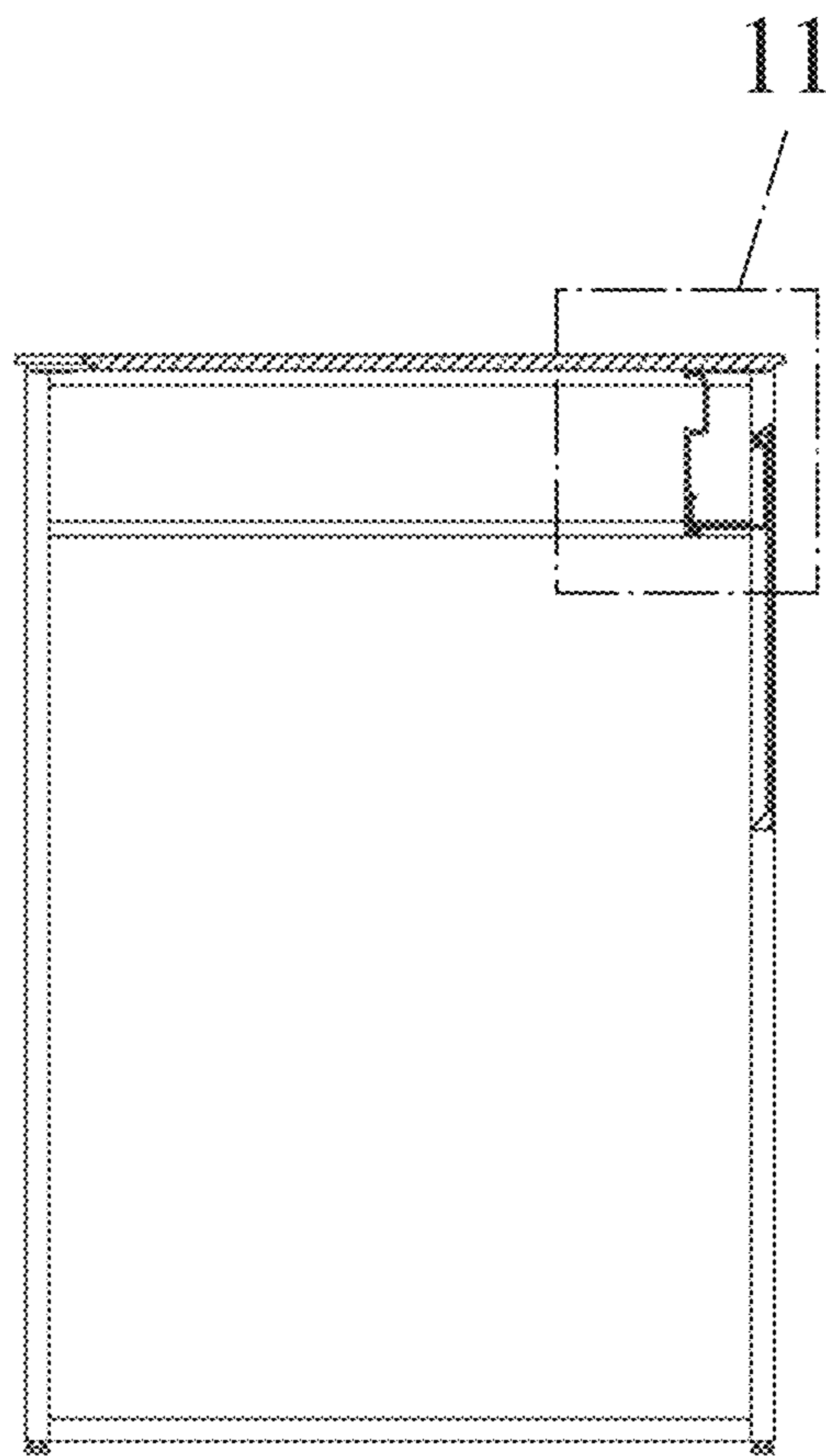


FIG. 9

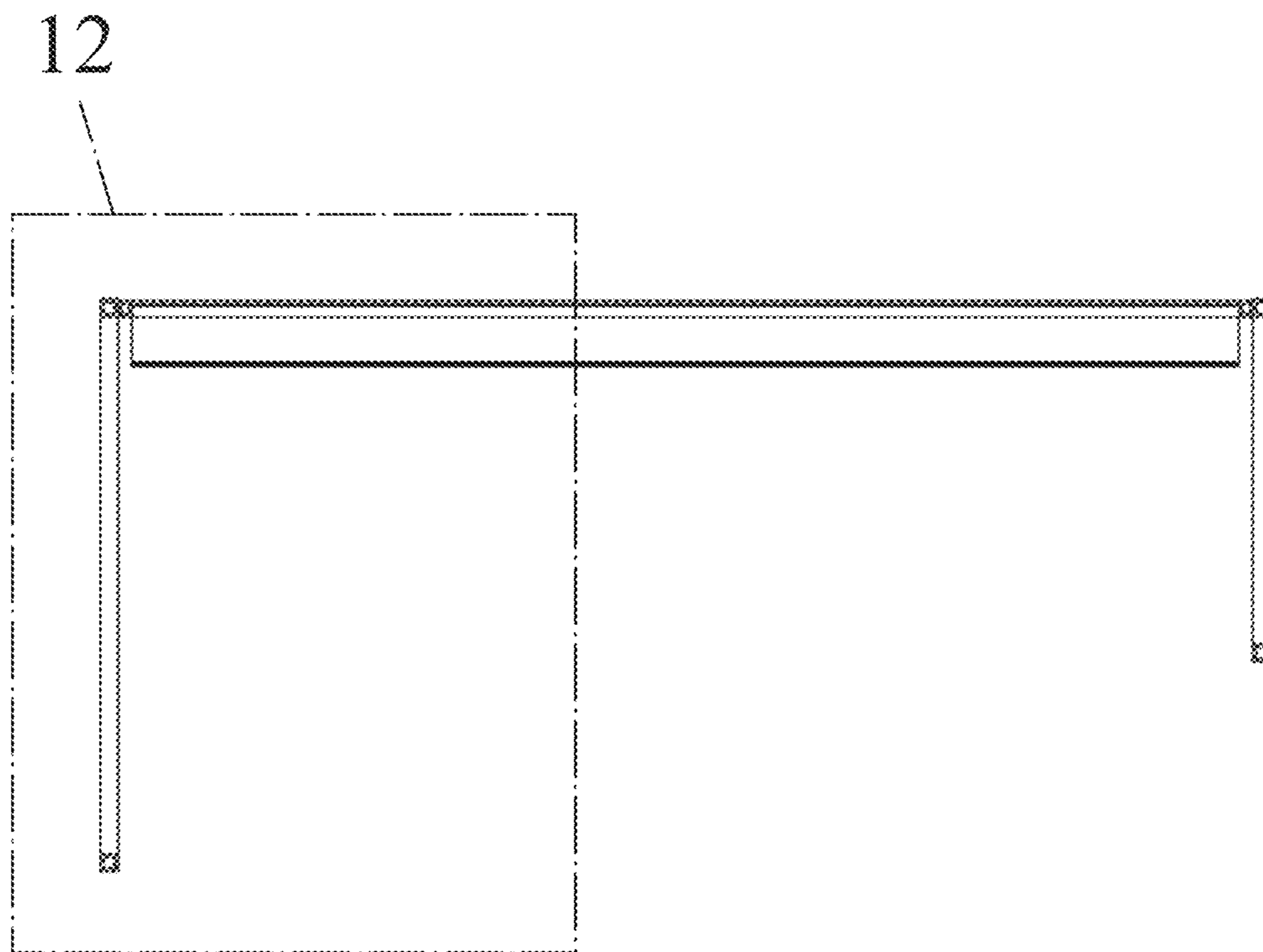


FIG. 10

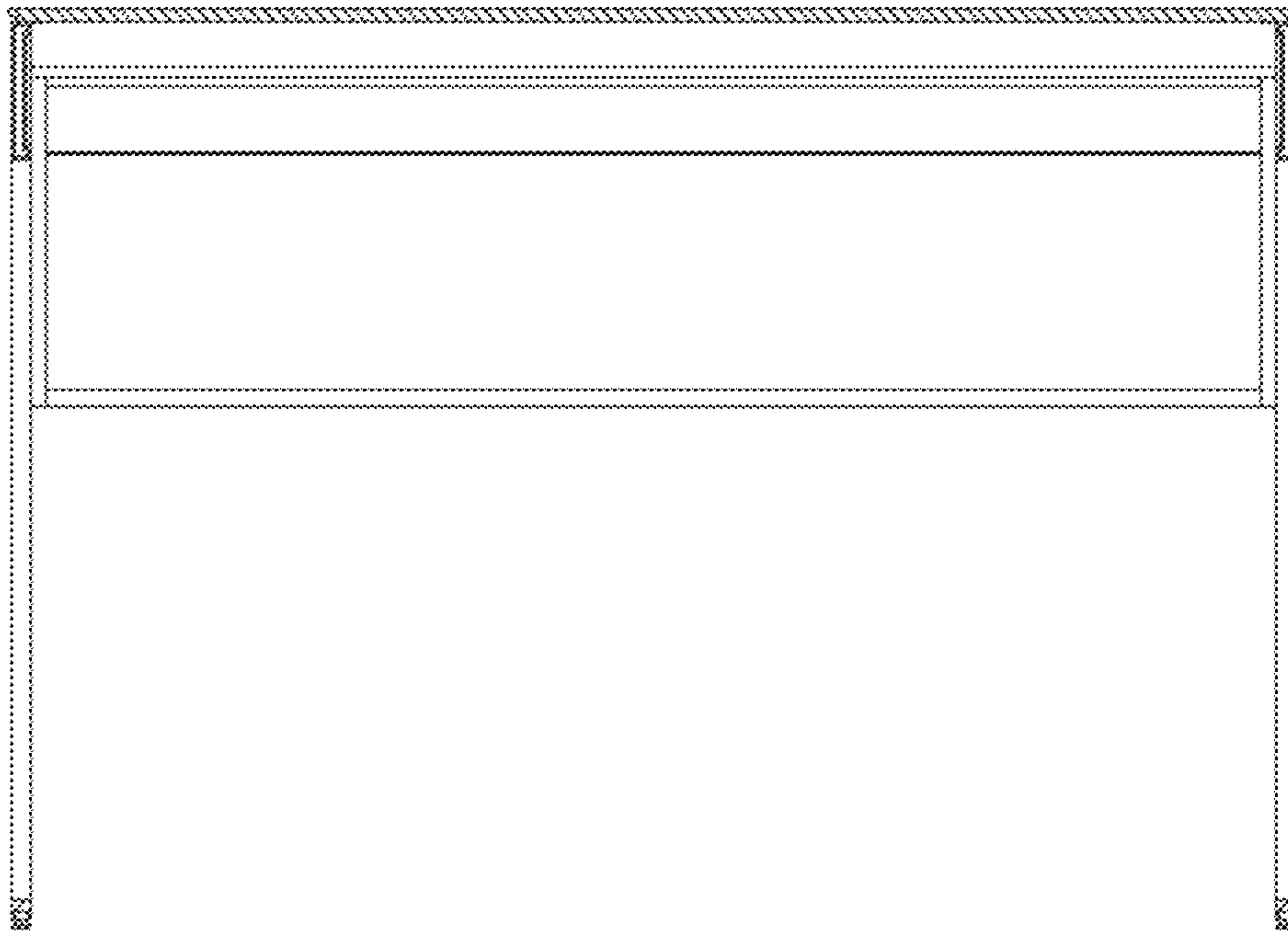


FIG. 11

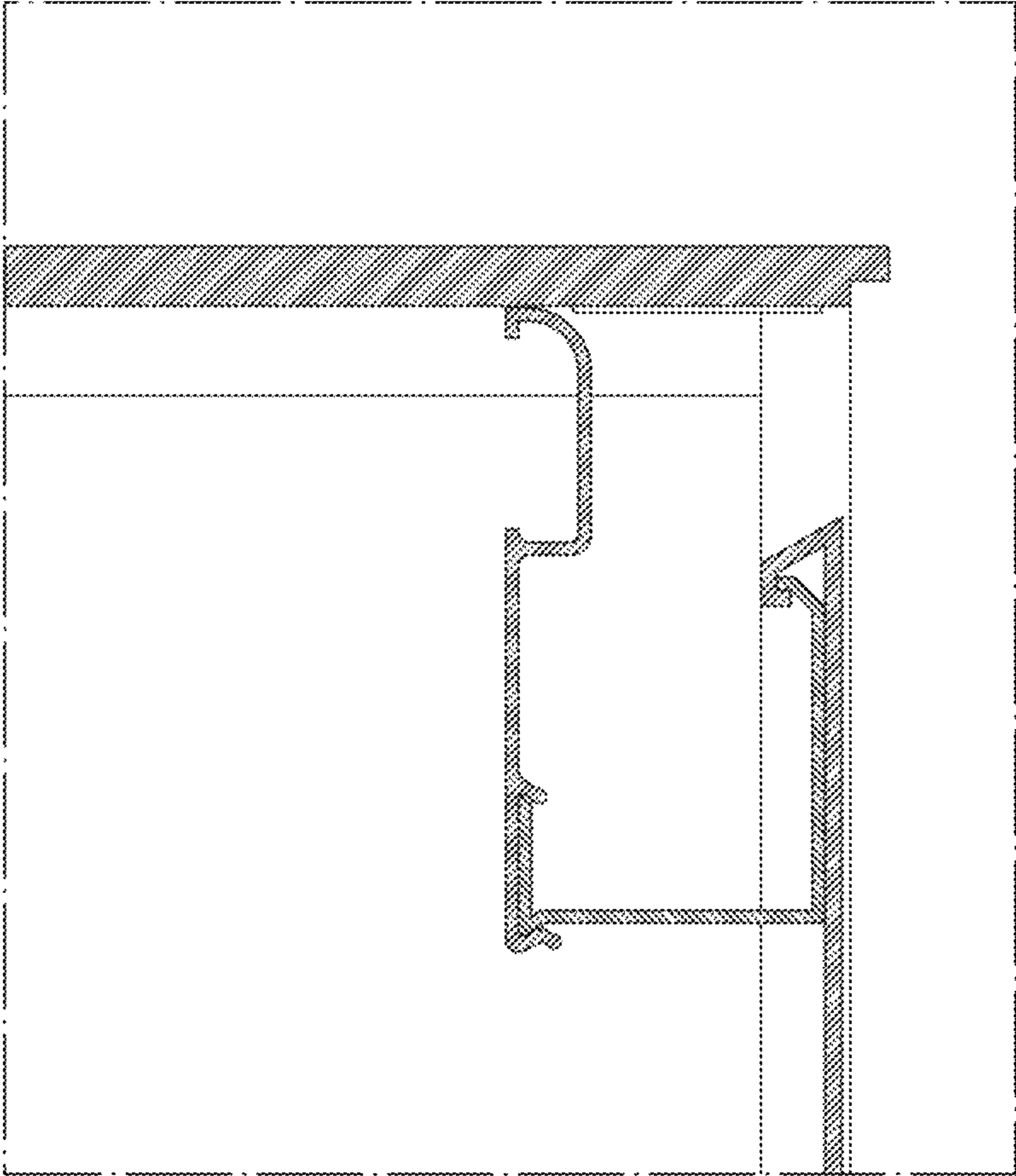


FIG. 12

