



US00D945797S

(12) **United States Design Patent** (10) **Patent No.:** **US D945,797 S**
Davis et al. (45) **Date of Patent:** **** Mar. 15, 2022**

(54) **DESK**
(71) Applicant: **WALKER EDISON FURNITURE COMPANY LLC**, Salt Lake City, UT (US)
(72) Inventors: **Matthew Davis**, Millcreek, UT (US); **Brad Bonham**, Draper, UT (US); **Richard Packer**, Kaysville, UT (US); **Tiffany Duhadway**, Salt Lake City, UT (US)
(73) Assignee: **Walker Edison Furniture Company LLC**, West Jordan, UT (US)

D177,195 S 3/1956 Smith
D155,976 S 11/1967 Dimham
D209,404 S 11/1967 Pearlman
D242,969 S 1/1977 Carter
D278,294 S 4/1985 Dau
D304,530 S 11/1989 Bush
D304,979 S 12/1989 Bush
D313,518 S 1/1991 Bush
D343,072 S 1/1994 Schulman
D346,078 S 4/1994 Schulman
D391,421 S 3/1998 Steelman
D474,355 S 5/2003 Sexton
D481,229 S 10/2003 Weaver

(Continued)

(**) Term: **15 Years**

(21) Appl. No.: **29/720,947**

(22) Filed: **Jan. 16, 2020**

(51) **LOC (13) Cl.** **06-03**

(52) **U.S. Cl.**
USPC **D6/654.11**

(58) **Field of Classification Search**
USPC D6/641-643, 644, 647, 654, 654.1, D6/654.12, 654.18, 654.19, 654.11
CPC A47B 7/00; A47B 13/00; A47B 13/02; A47B 13/04; A47B 13/06; A47B 13/08; A47B 13/10; A47B 13/12; A47B 17/00; A47B 19/00; A47B 21/00; A47B 21/0314; A47B 2021/0307; A47B 2021/0321; A47B 2021/0335; A47B 2021/0364; A47B 27/00; A47B 2200/0001; A47B 2200/0002; A47B 2200/0003; A47B 2200/0004; A47B 2200/0011; A47B 2200/002

See application file for complete search history.

(56) **References Cited**

U.S. PATENT DOCUMENTS

D146,845 S 6/1947 Bach
D146,846 S 6/1947 Bach

OTHER PUBLICATIONS

Writers Desk Elm 77 Black Leather—The Modern Furniture Store
<https://themodern.net.au/products/writers-desk-elm-77-black-leather> retrieved from the internet on Jul. 14, 2021.*

(Continued)

Primary Examiner — Mary Ann Calabrese
(74) *Attorney, Agent, or Firm* — Workman Nydegger

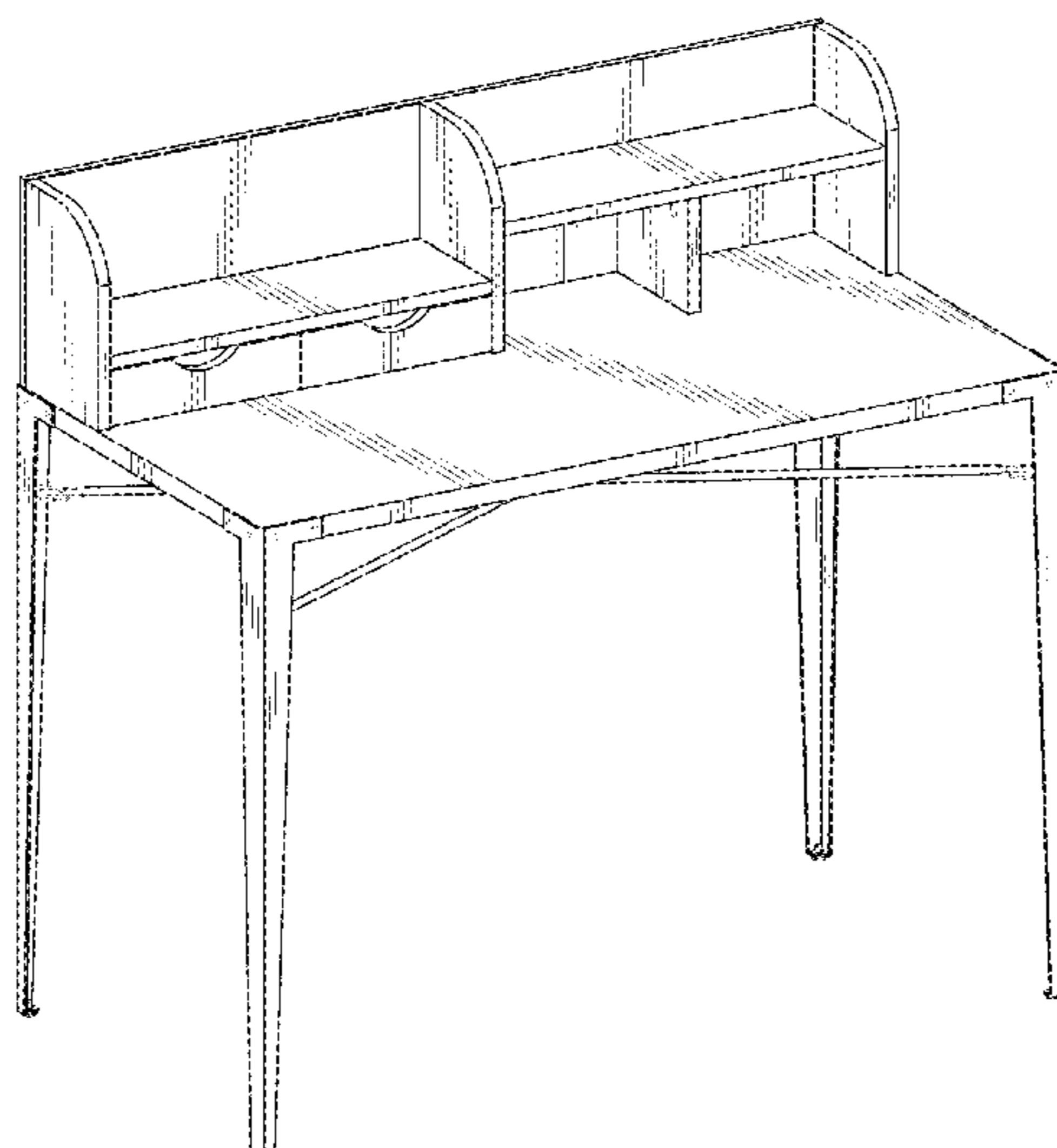
(57) **CLAIM**

The ornamental design for a desk, as shown and described.

DESCRIPTION

FIG. 1 is a front perspective view of a desk showing the new design;
FIG. 2 is a front elevation view thereof;
FIG. 3 is a back elevation view thereof;
FIG. 4 is a top plan view thereof;
FIG. 5 is a bottom plan view thereof;
FIG. 6 is a right elevation view thereof; and,
FIG. 7 is a left elevation view thereof.
The broken lines in the drawings are for the purpose of illustrating portions of the desk that form no part of the claimed design.

1 Claim, 4 Drawing Sheets



(56)

References Cited

U.S. PATENT DOCUMENTS

| | | | |
|-----------------|---------|------------------|--------------------------|
| D486,016 S | 2/2004 | Stanton | |
| D497,742 S | 11/2004 | Dortch | |
| D505,566 S | 5/2005 | Juneau | |
| D532,999 S | 12/2006 | Mack | |
| D546,503 S * | 7/2007 | Kreiss | D6/653 |
| D574,635 S | 8/2008 | Eustace | |
| D584,073 S | 1/2009 | Mohundro | |
| 7,641,294 B1 * | 1/2010 | Goldberg | A47B 17/033 312/196 |
| D632,900 S * | 2/2011 | Goldberg | A47B 17/033 D6/654 |
| D669,704 S | 10/2012 | Zambelli | |
| D723,306 S * | 3/2015 | Kielwasser | D6/653 |
| D736,529 S | 8/2015 | Cohen | |
| D746,614 S | 1/2016 | Sheppard | |
| 9,254,045 B2 | 2/2016 | Nassif | |
| D783,316 S * | 4/2017 | Davis | D6/655.1 |
| D829,025 S * | 9/2018 | Davis | A47B 17/033 D6/675 |
| D851,964 S * | 6/2019 | Davis | A47B 17/033 D6/655.11 |
| D853,160 S | 7/2019 | Barber | |
| D854,864 S | 7/2019 | Lim | |
| D888,466 S * | 6/2020 | Li | D6/654.1 |
| D909,095 S * | 2/2021 | Li | D6/654.1 |
| D922,103 S * | 6/2021 | Wang | D6/654.1 |
| 2010/0018442 A1 | 1/2010 | Knudsen | |

OTHER PUBLICATIONS

U.S. Appl. No. 29/573,766, filed Aug. 9, 2016, Davis.
 U.S. Appl. No. 29/634,920, filed Jan. 25, 2018, Davis.
 U.S. Appl. No. 29/634,929, filed Jan. 25, 2018, Davis.
 U.S. Appl. No. 29/656,477, filed Jul. 12, 2018, Davis.
 U.S. Appl. No. 29/654,952, filed Jun. 28, 2018, Davis.
 U.S. Appl. No. 29/743,397, filed Jul. 21, 2020, Packer.
 U.S. Appl. No. 29/743,408, filed Jul. 21, 2020, Packer.
 U.S. Appl. No. 29/743,410, filed Jul. 21, 2020, Packer.
 U.S. Appl. No. 29/743,593, filed Jul. 22, 2020, Packer.
 U.S. Appl. No. 29/677,755, filed Jan. 23, 2019, Davis.
 U.S. Appl. No. 29/677,761, filed Jan. 23, 2019, Davis.
 Small Wooden Desk With Drawers—suspilstvo.info <http://suspilstvo.info/small-wooden-desk-with-drawers/small-wooden-desk-with-drawers-wood-desk-with-drawers-modern-solid-wood-desk-computer-study-show-homes-minimalist-with-drawers-m-wood-desk-with-drawers-small-wood-comput>. Retrieved from the internet on Nov. 5, 2018.
 Legend Desk—Harvey Norman, <https://www.harveynorman.co.nz/furniture/home-office-equip/desks-and-suites/legend-desk.html>. Retrieved from the internet on Nov. 5, 2018.
 Diana Desk with Drawer—walmart.com, <https://www.walmart.com/ip/Diana-Desk-with-Drawer/126384407?sourceid=csebr035413>. Retrieved from the internet on Nov. 5, 2018.
 52 in. A-Frame Rustic Faux Marble and Walnut Entry Console Table by Walker Edison Furniture Company—Home Depot. <https://www.homedepot.com/p/Walker-Edison-Furniture-Company-52-in-A-Frame-Rustic-Faux-Marble-and-Walnut-Entry-Console-Table-HDF52AFTMNW/302034903>. Retrieved from the internet on Sep. 8, 2019.
 52 A-Frame Rustic Entry Console Table Reclaimed Barnwood—Walmart.com. <https://www.walmart.com/ip/52-A-Frame-Rustic-Entry-Console-Table-Reclaimed-Barnwood/561617562>. Retrieved from the internet on Sep. 9, 2019.
 46" Rustic Farmhouse Wood Computer Desk by Walker Edison Furniture Company—Home Depot. <https://www.homedepot.com/p/>

Walker-Edison-Furniture-Company-52-in-A-Frame-Rustic-Faux-Marble-and-Walnut-Entry-Consol-Table-HDF52AFIMNW/302034903. Retrieved from the internet on Sep. 9, 2019.
 48 in. White Oak Open-Top Storage Bench with Shoe Shelf, [online] Retrieved Oct. 15, 2019 from URL: <https://www.homedepot.com/p/Walker-Edison-Furniture-Company-48-in-White-Oak-Open-Top-Storage-Bench-with-Shoe-Shelf-HD48PCSBWO/303295636>.
 50" Entryway Bench with Slatted Shelf—50×14×18h. [online] Retrieved Oct. 8, 2019 from URL: <https://www.overstock.com/Home-Garden/50-Entryway-Bench-with-Slatted-Shelf-50-x-14-x-18h/17179515/product.html?option=28693203>.
 Ermont Wood Storage Bench, [online] Retrieved Oct. 8, 2019 from URL: <https://www.allmodern.com/furniture/pdp/ermont-wood-storage-bench-lrfy1915.html>.
 Odetta Desk; anthropologie.com; <https://www.anthropologie.com/shop/odetta-desk?color=006&size=0000>; Retrieved on Aug. 20, 2018.
 Pinterest; Odetta Desk—Anthropologie; <https://www.pinterest.com/pin/33636328453037064/>; Retrieved on Aug. 20, 2018.
 U.S. Appl. No. 29/634,920, filed Sep. 13, 2019, Office Action.
 U.S. Appl. No. 29/656,477, filed Sep. 13, 2019, Office Action.
 U.S. Appl. No. 29/634,929, filed Nov. 1, 2019, Notice of Allowance.
 U.S. Appl. No. 29/656,477, filed Jan. 30, 2020, Notice of Allowance.
 U.S. Appl. No. 29/654,952, filed Apr. 21, 2020, Notice of Allowance.
 U.S. Appl. No. 29/634,920, filed Sep. 15, 2020, Notice of Allowance.
 U.S. Appl. No. 29/767,930, filed Jan. 26, 2021, Duhadway.
 U.S. Appl. No. 29/768,093, filed Jan. 27, 2021, Duhadway.
 U.S. Appl. No. 29/768,095, filed Jan. 27, 2021, Duhadway.
 Wayfair; Glenell Floating Desk; retrieved on Mar. 12, 2021; <https://www.wayfair.com/furniture/pdp/latitude-run-glenell-floating-desk-w001974591.html>.
 Wayfair; Coward Executive Desk; retrieved on Mar. 12, 2021; <https://www.wayfair.com/furniture/pdp/union-rustic-coward-executive-desk.html?piid=>.
 West Elm Website “furniture” search; Westelm.com; retrieved Apr. 20, 2020 (online) https://www.westelm.com/shop/furniture/?searchredi=true&cm_sp=HeaderLinks-_-OnsiteSearch-_-MainSite&cm_type=OnsiteSearch&term=furniture&searchredirtype=br.
 Crate and Barrel Website “Business Interior Design” search; crateandbarrel.com; retrieved Nov. 6, 2020 (online); https://www.crateandbarrel.com/trade-program/?a=784&campaignid=1061902950&adgroupid=55881134521&targetid=aud-1097585102856:kwd-415008832538&adpos=creative=251673559670&device=c&matchtype=e&network=g&gclid=Cj0KCQjwytOEBhD5ARIsANnRjVgCRKameP5yMquG6rsNP7KAU-nUpzG5NfgZU-PhRCRUgz507lTtMaAhvLEALw_wcB.
 Raymour Flanigan Website “Home Office, Office Desk” search; raymourflanigan.com; retrieved Nov. 6, 2020 (online); <https://www.raymourflanigan.com/home-office/office-desks>.
 Urban Wood Goods Website; urbanwoodgoods.com; retrieved Nov. 6, 2020 (online); https://urbanwoodgoods.com/?gclid=Cj0KCQjwytOEBhD5ARIsANnRjVjosDOY-qph1qh4aR1ZtVcUEoz4sYgBP_d15pgF4uBWjXNcdEdWxWkaAge3EALw_wcB.
 Borofka’s Furniture Website “Bridgeport, Bookcase, Allison” search; borofkasfurniture.com; retrieved May 13, 2020; <https://www.borofkasfurniture.com/bridgeport-desk-system-1/bballisondesk1-p207/iteminformation.aspx>.
 U.S. Appl. No. 29/784,675, filed May 20, 2021, Duhadway.
 U.S. Appl. No. 29/796,685, filed Jun. 25, 2021, Naylor.
 U.S. Appl. No. 29/801,168, filed Jul. 27, 2021, Duhadway.

* cited by examiner

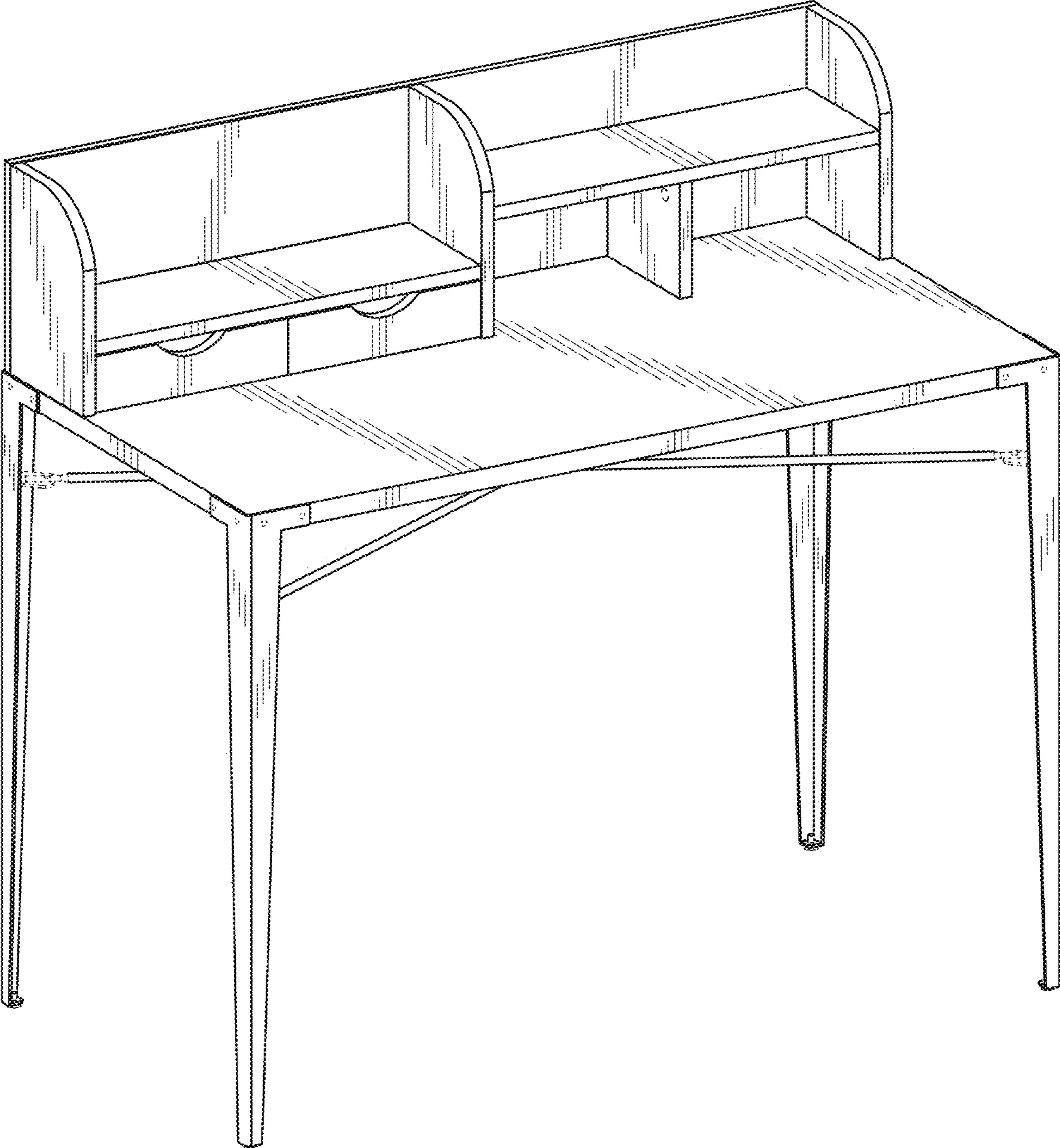


FIG. 1

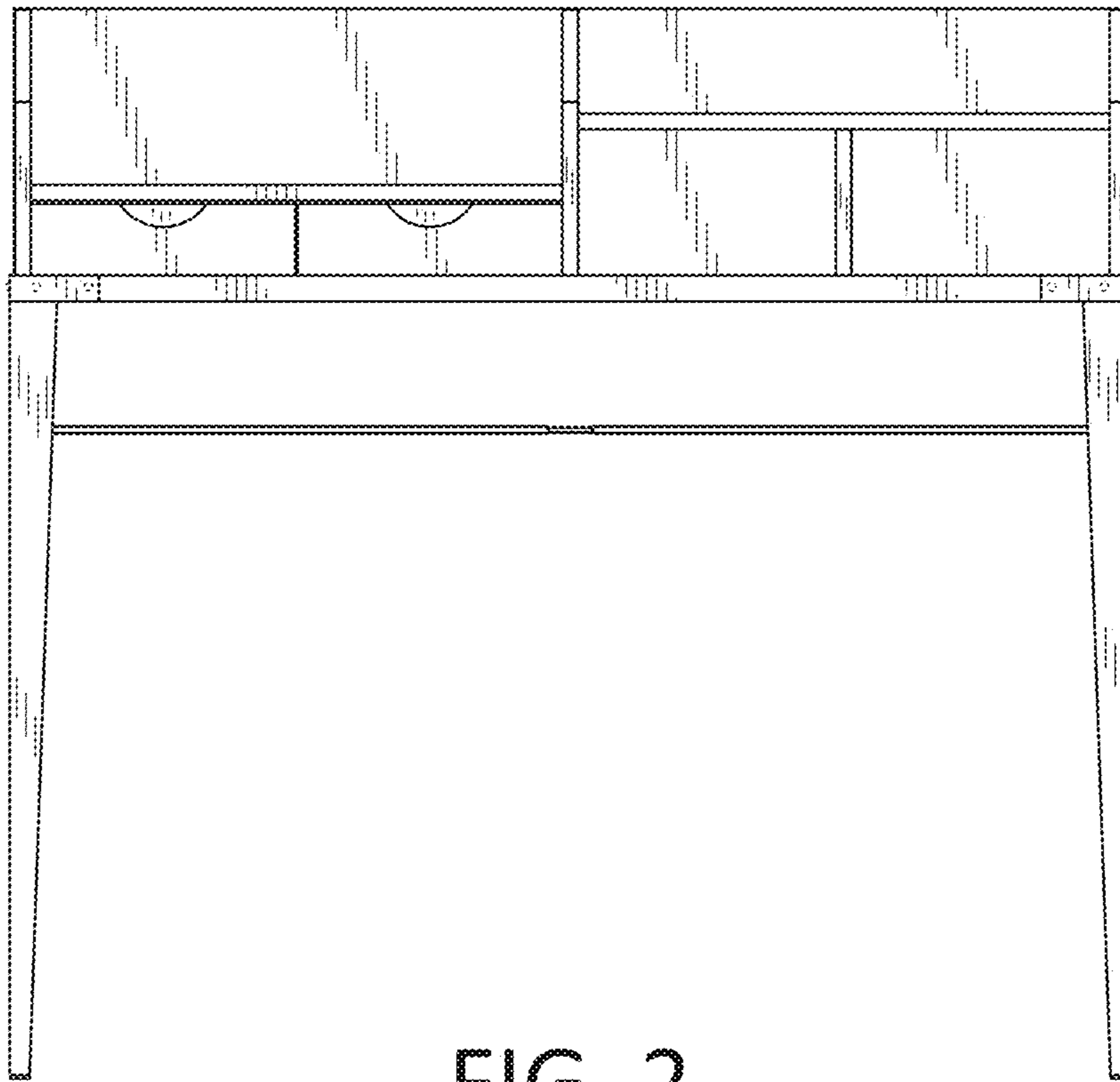


FIG. 2

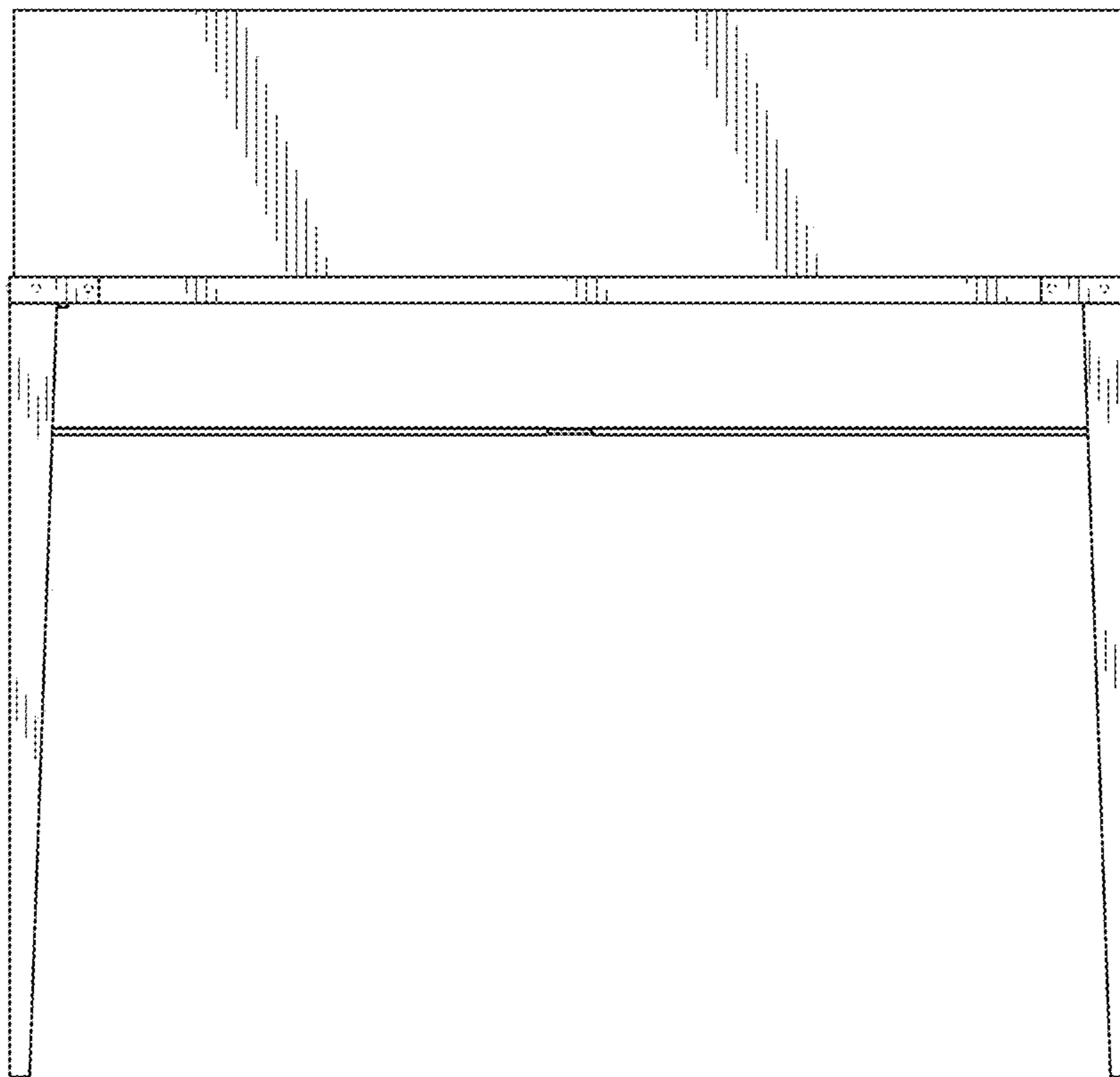


FIG. 3

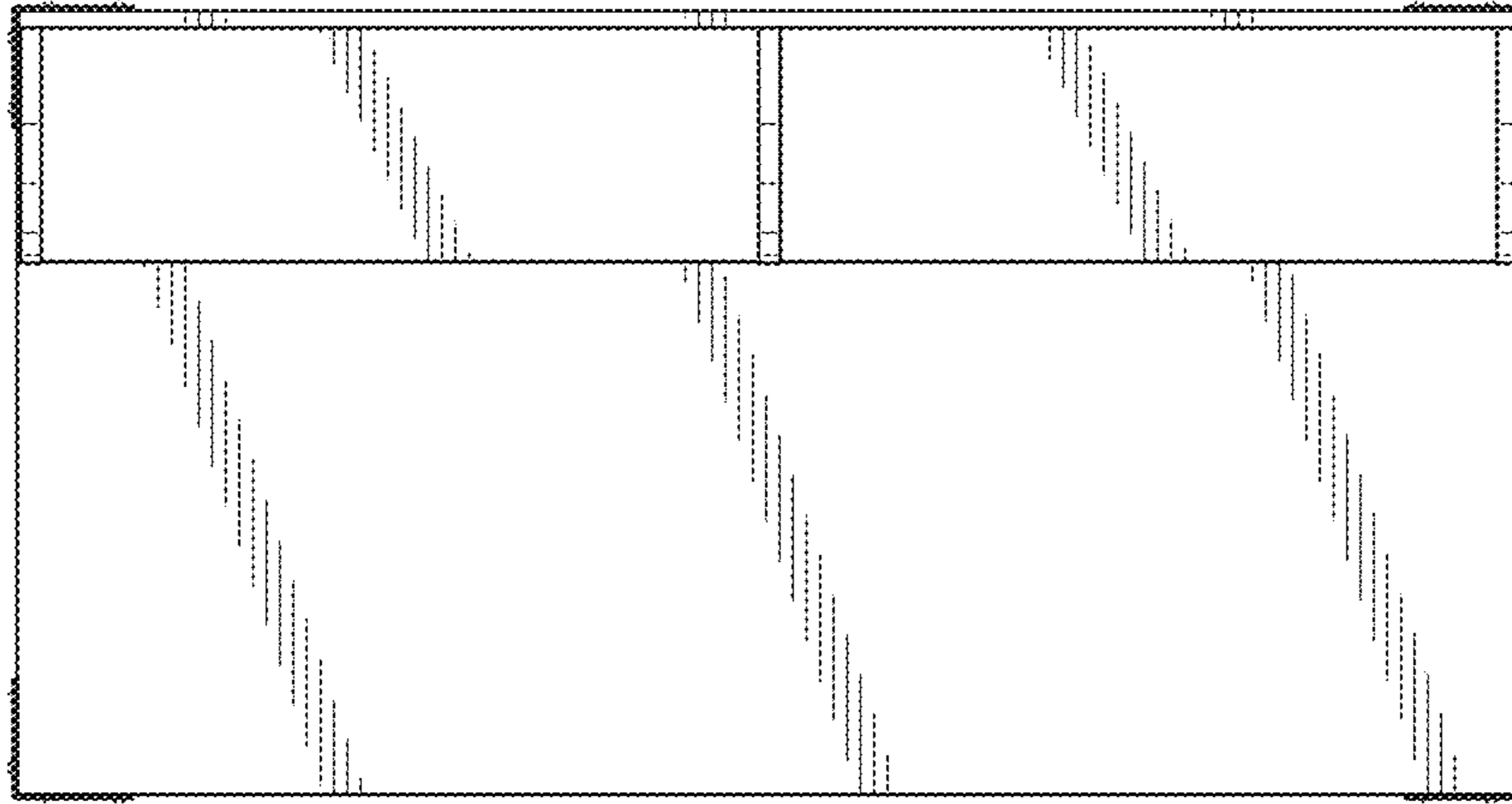


FIG. 4

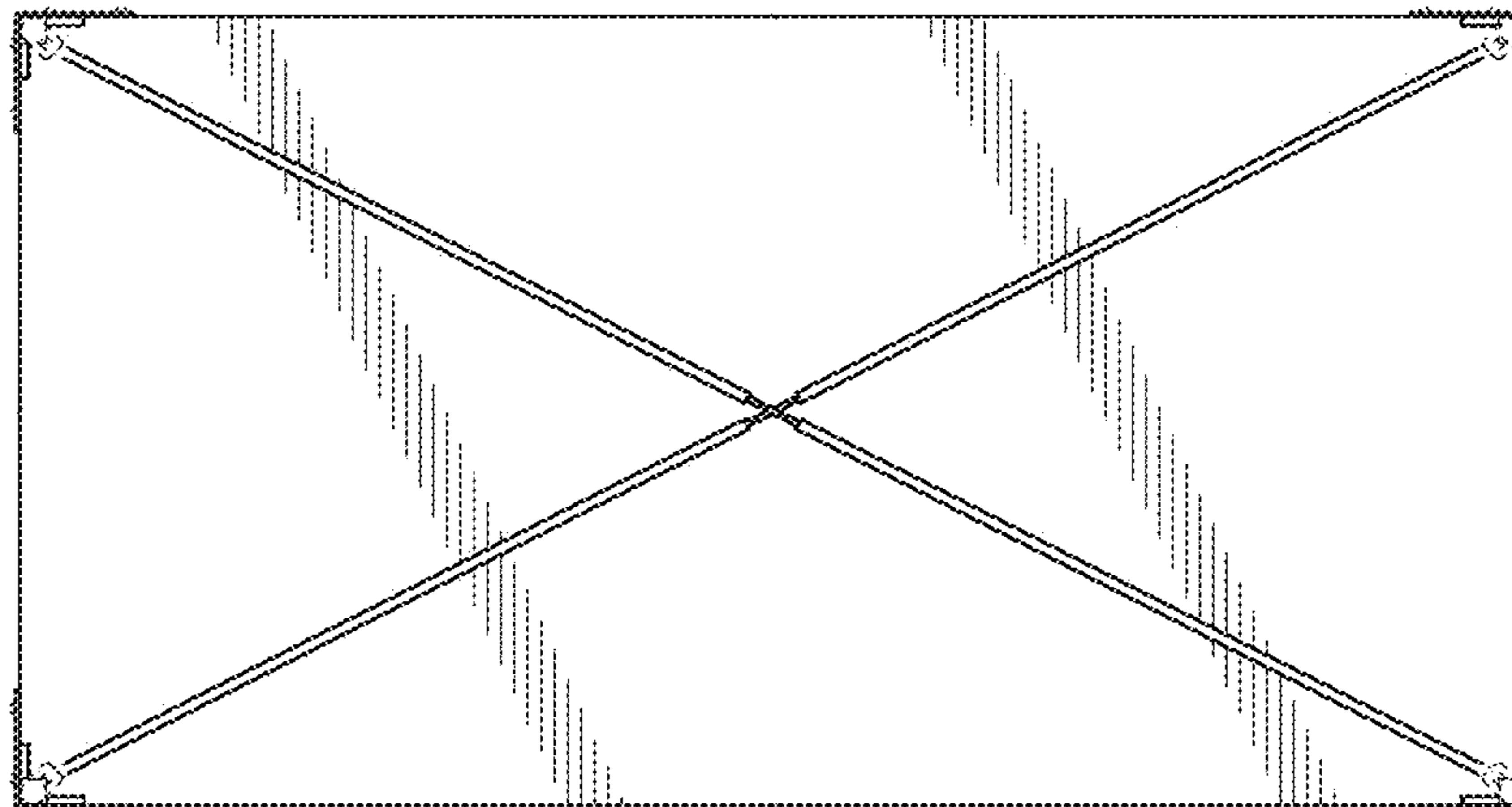


FIG. 5

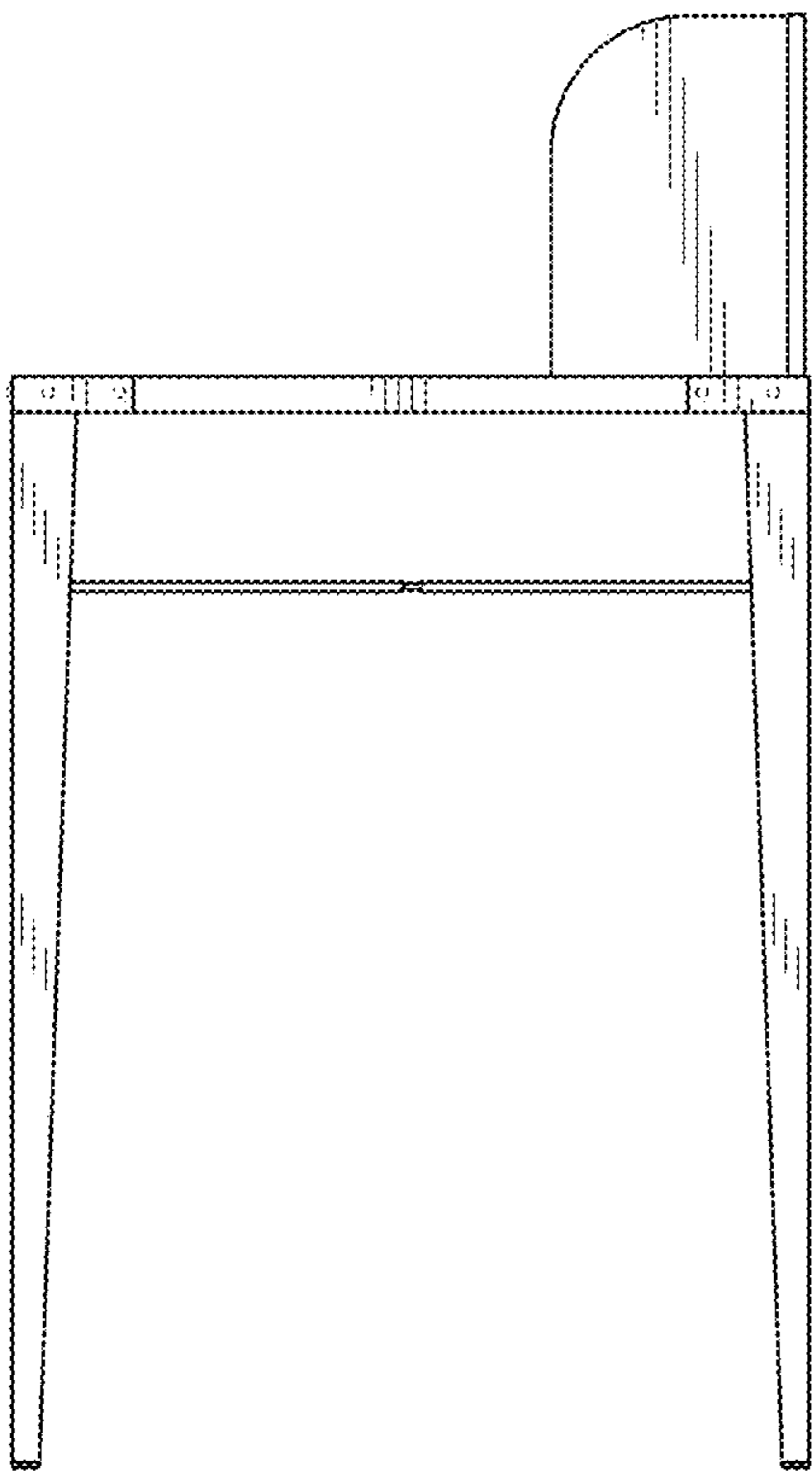


FIG. 6

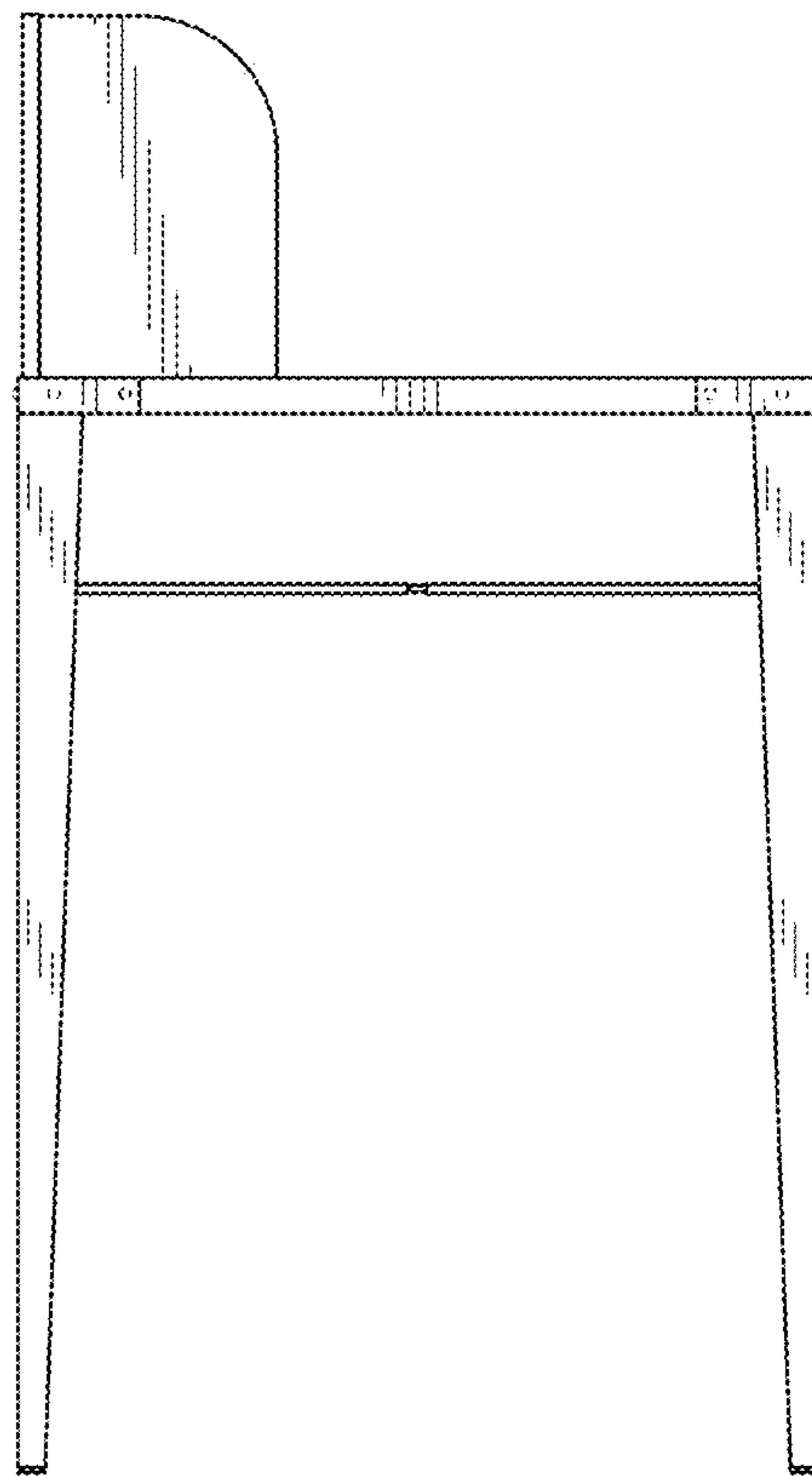


FIG. 7