



US00D945796S

(12) **United States Design Patent**
Hu

(10) **Patent No.:** **US D945,796 S**
(45) **Date of Patent:** **** Mar. 15, 2022**

- (54) **GAMING DESK**
- (71) Applicant: **Yajun Hu**, El Dorado Hills, CA (US)
- (72) Inventor: **Yajun Hu**, El Dorado Hills, CA (US)
- (73) Assignees: **Yajun Hu**, El Dorado Hills, CA (US);
EUREKA LLC., El Dorado Hills, CA (US)
- (**) Term: **15 Years**
- (21) Appl. No.: **29/722,050**
- (22) Filed: **Jan. 24, 2020**
- (51) **LOC (13) Cl.** **06-03**
- (52) **U.S. Cl.**
USPC **D6/648.2; D6/648.4**
- (58) **Field of Classification Search**
USPC D6/641, 642, 644, 647, 648, 653.1,
D6/653.12, 653.16, 653.23, 655
CPC .. A47B 3/00; A47B 3/06; A47B 3/012; A47B
5/00; A47B 5/06; A47B 7/00; A47B
13/00; A47B 13/02; A47B 13/04; A47B
13/06; A47B 13/08; A47B 13/10; A47B
13/12; A47B 13/16; A47B 21/00; A47B
21/0314; A47B 2201/0307; A47B
2201/0332; A47B 2201/0335; A47B
2201/0364; A47B 2200/0001; A47B
2200/0002; A47B 2200/0003; A47B
2200/0004; A47B 2200/0011; A47B
2200/002; A47B 2200/003
See application file for complete search history.

5,791,259	A *	8/1998	Mansfield	A47B 21/00 108/50.01
D400,730	S *	11/1998	Brandenberg	D6/648.2
D401,776	S *	12/1998	Weng	A47B 9/14 D6/648.4
6,234,331	B1 *	5/2001	Brandenberg	A47B 9/14 211/205
D454,261	S *	3/2002	Cassidy	D6/648
D478,225	S	8/2003	Wang		
D499,273	S	12/2004	Chang		
D499,576	S	12/2004	Long		
D526,812	S	8/2006	Chen		
D547,970	S	8/2007	Chou		
D549,009	S	8/2007	Lin		
D741,089	S *	10/2015	Chomicki	D6/648.2
9,591,919	B2	3/2017	Ergun et al.		
9,635,932	B2	5/2017	Kelley et al.		
D927,893	S *	8/2021	Hoffman	D6/648
2002/0020329	A1 *	2/2002	Kowalski	A47B 21/00 108/50.01

* cited by examiner

Primary Examiner — Mary Ann Calabrese

(57) **CLAIM**

I claim the ornamental design for gaming desk, as shown and described.

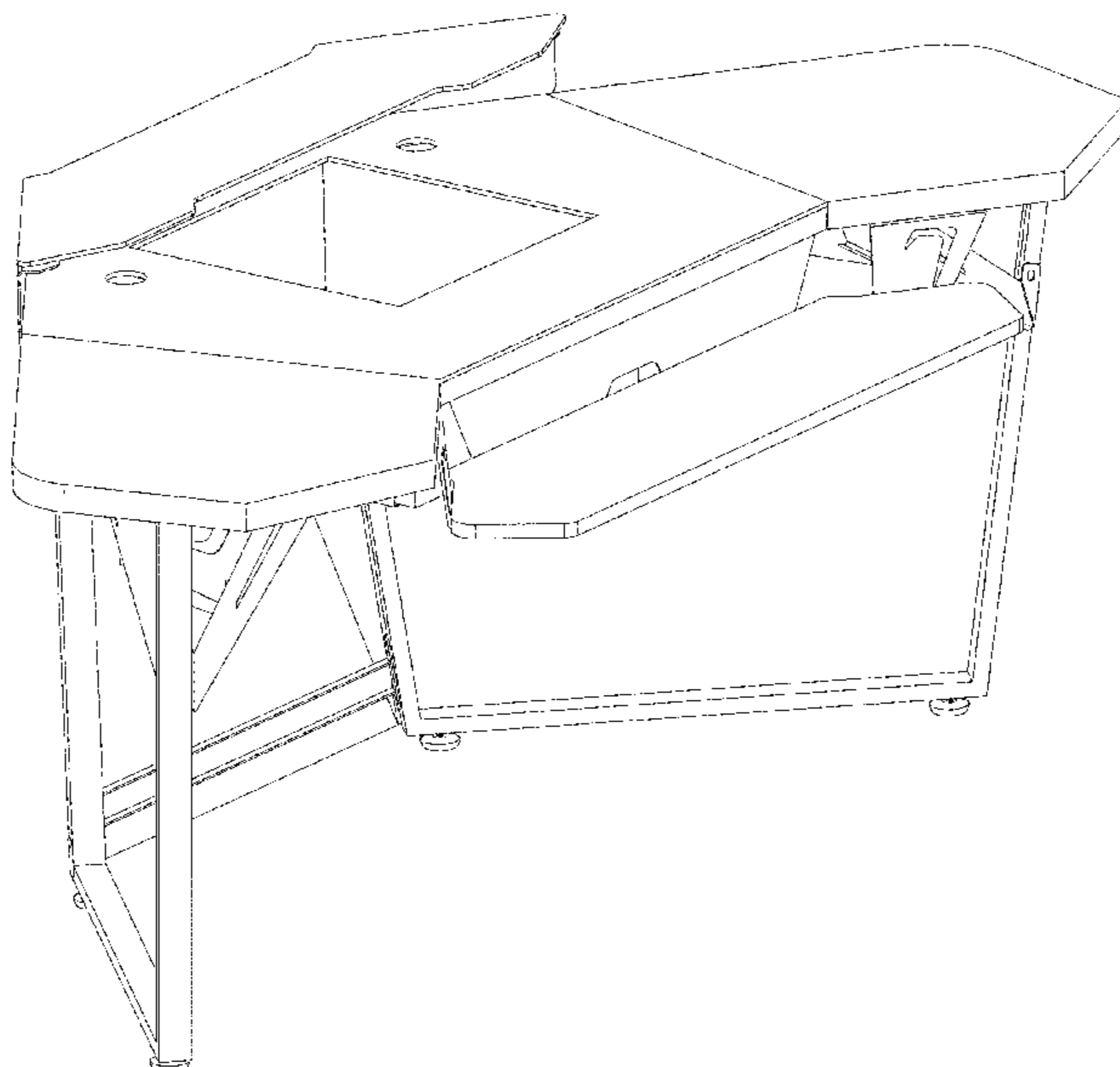
DESCRIPTION

FIG. 1 is a front perspective view of a gaming desk, showing my new design;
 FIG. 2 is a rear perspective view thereof;
 FIG. 3 is a front perspective view thereof;
 FIG. 4 is a bottom perspective view thereof;
 FIG. 5 is a top perspective view thereof;
 FIG. 6 is a rear perspective view thereof;
 FIG. 7 is a left side view thereof; and,
 FIG. 8 is a right side view thereof.
 The broken line portion of the figure drawings is included to show portions of the article that forms no part of the claim design.

1 Claim, 8 Drawing Sheets

(56) **References Cited**
U.S. PATENT DOCUMENTS

D273,449	S *	4/1984	Wieczorek	D6/649
D342,396	S *	12/1993	Lechman	D6/649
D346,913	S *	5/1994	Lechman	D6/648.4
D367,775	S *	3/1996	Wood, Jr.	D6/648.4



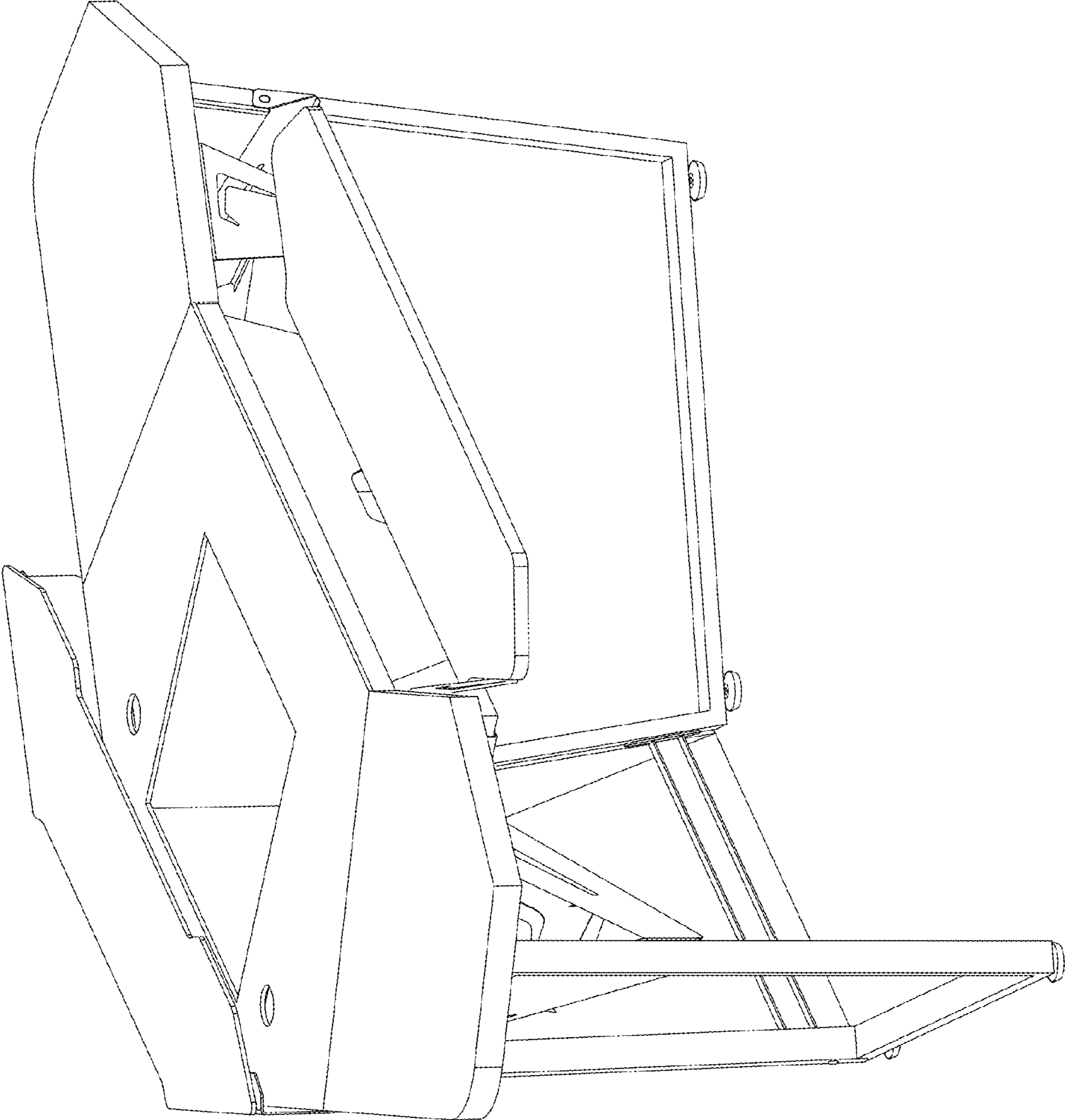


FIG.1

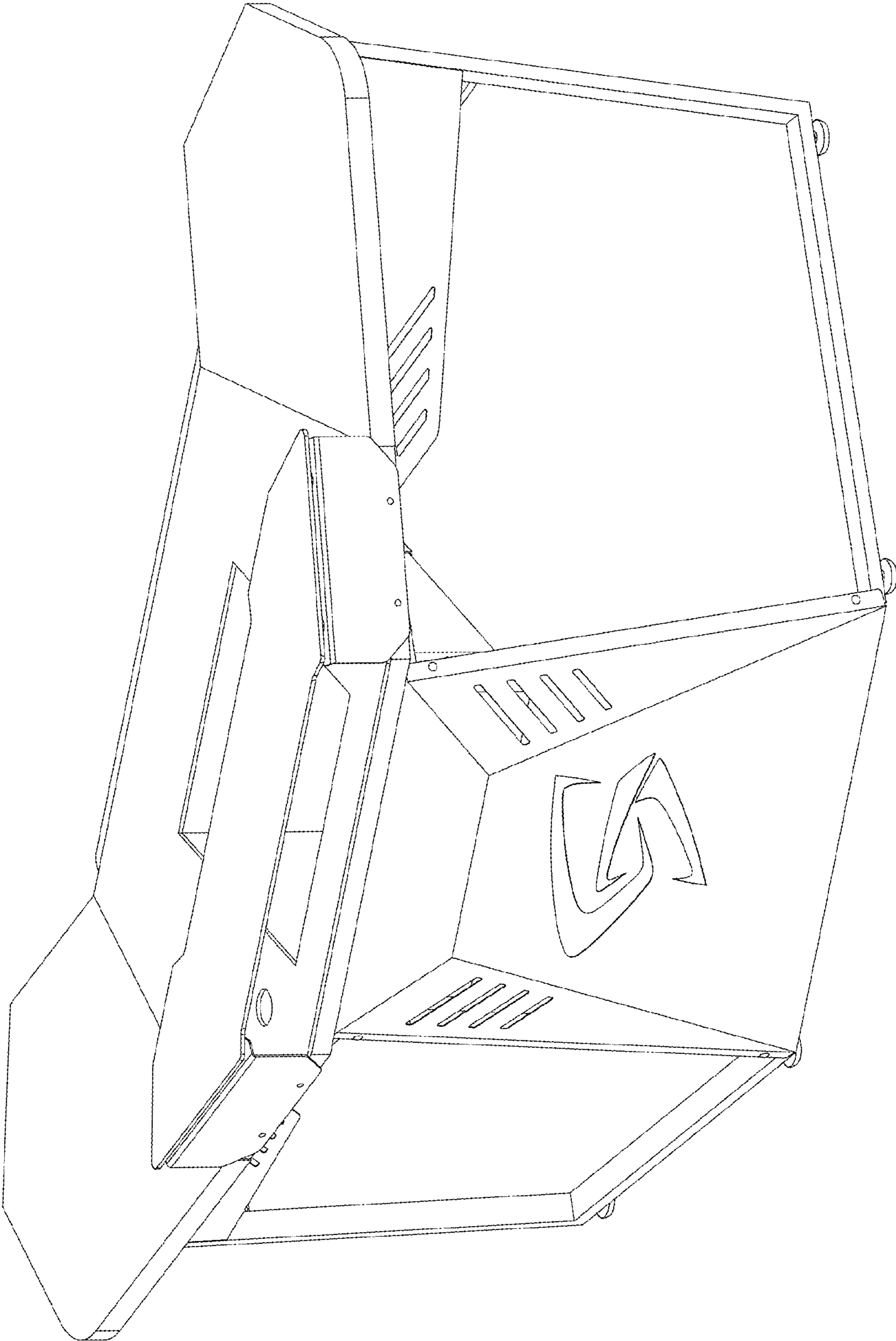


FIG.2

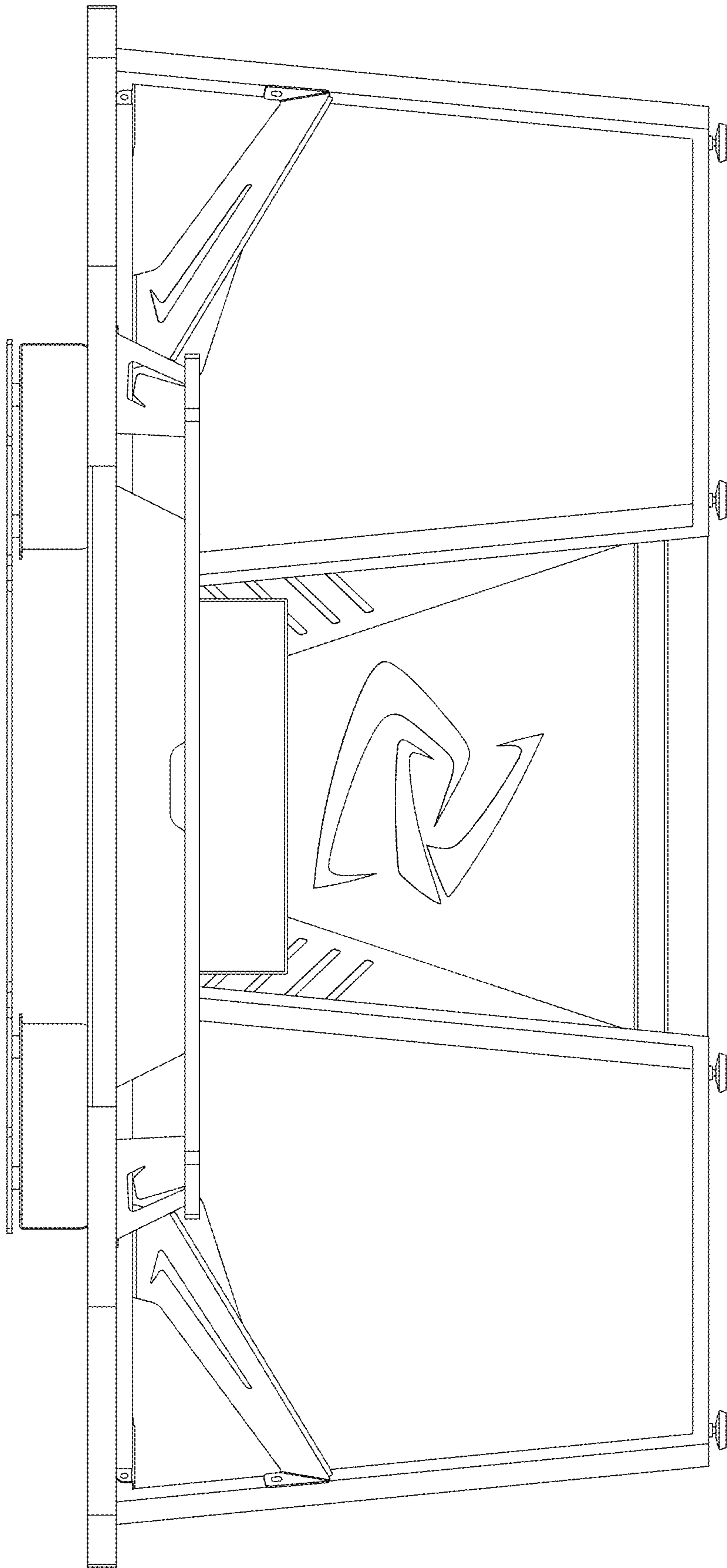


FIG.3

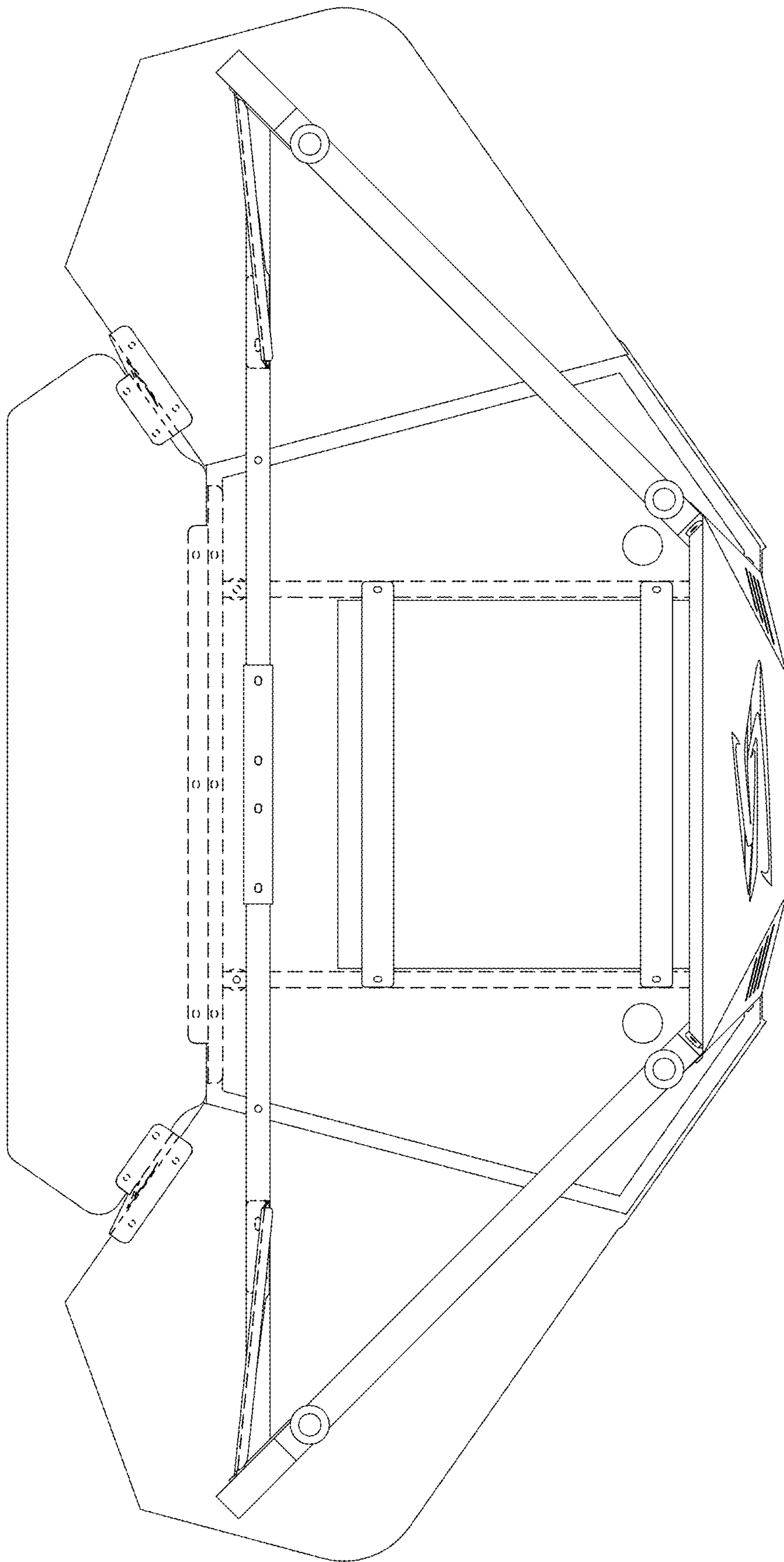


FIG.4

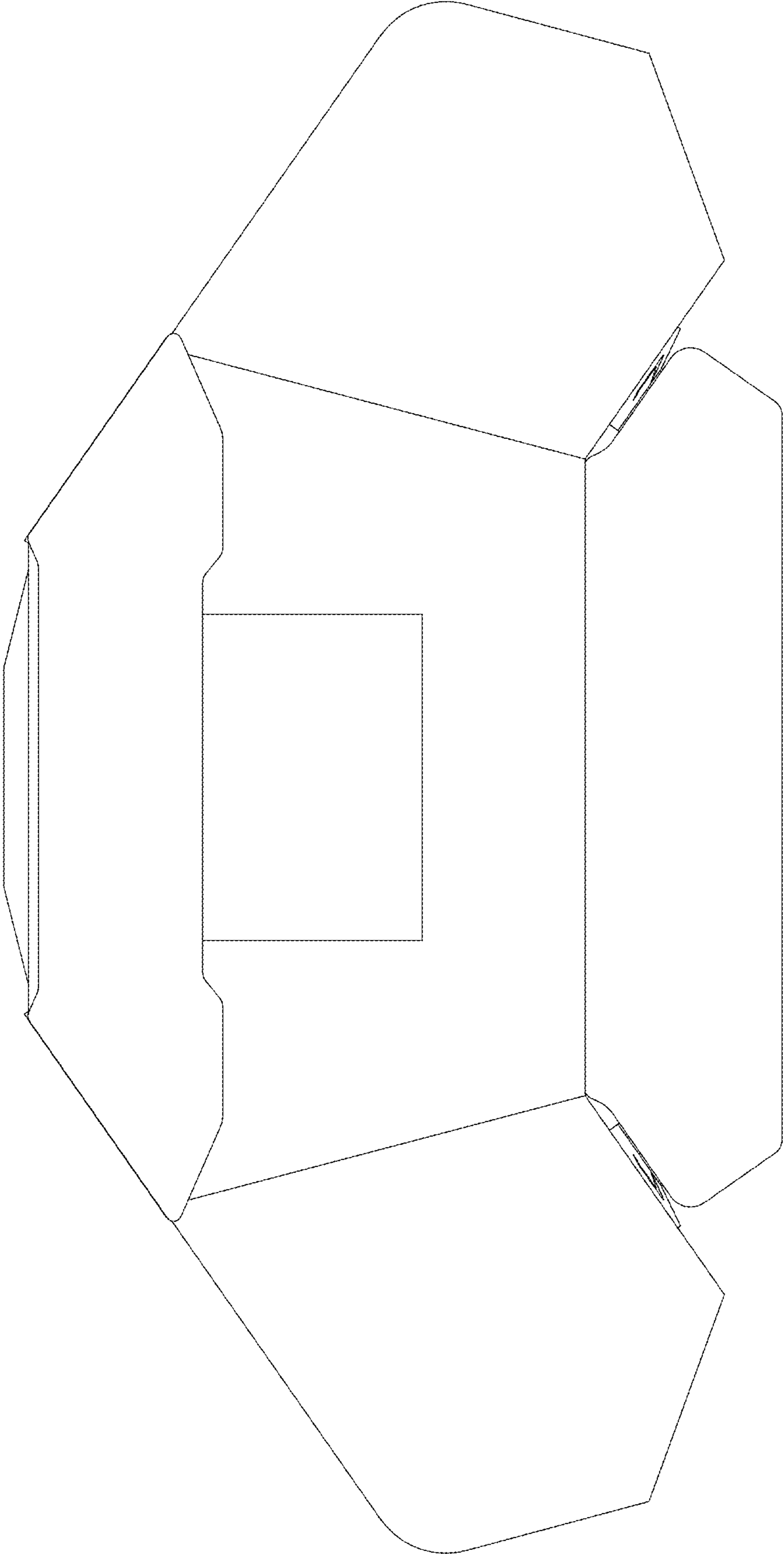


FIG.5

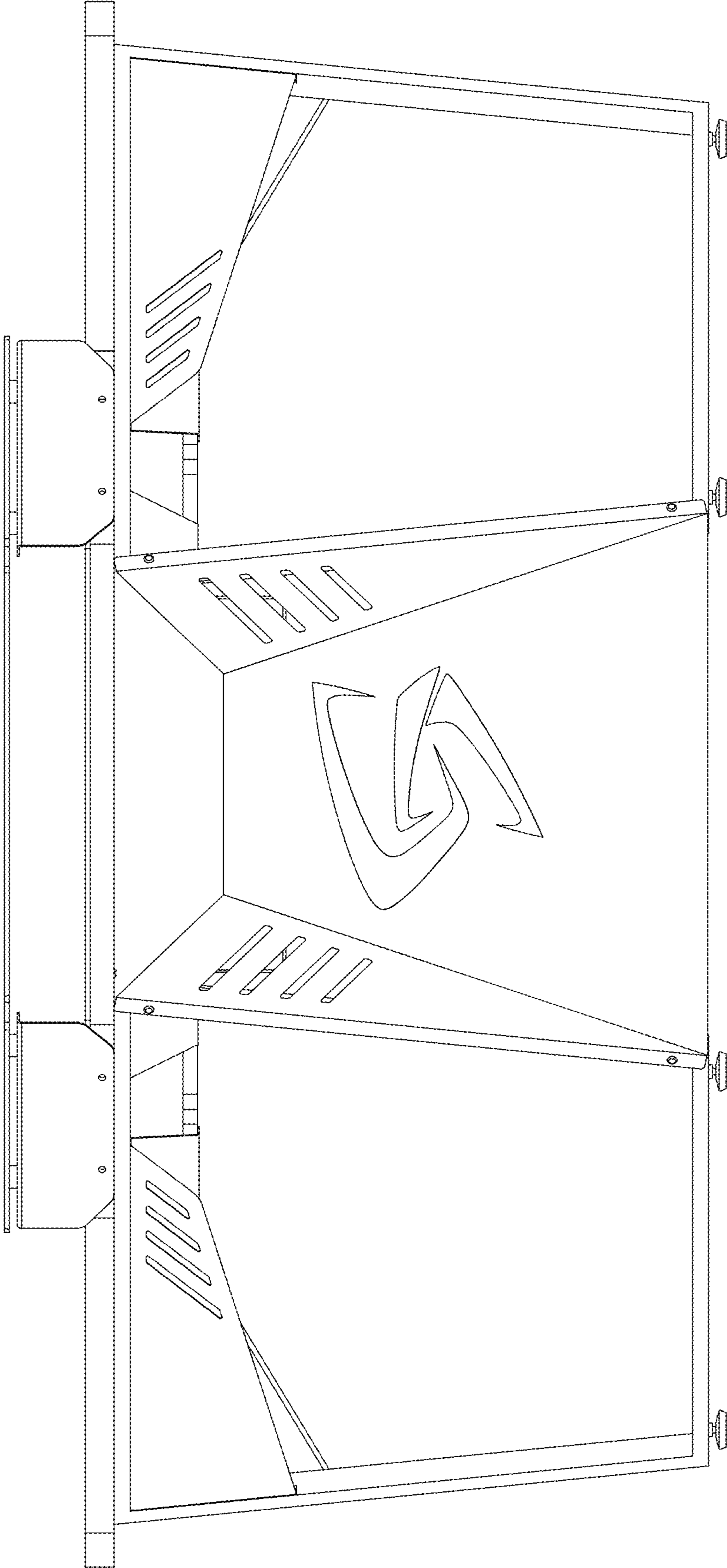


FIG.6

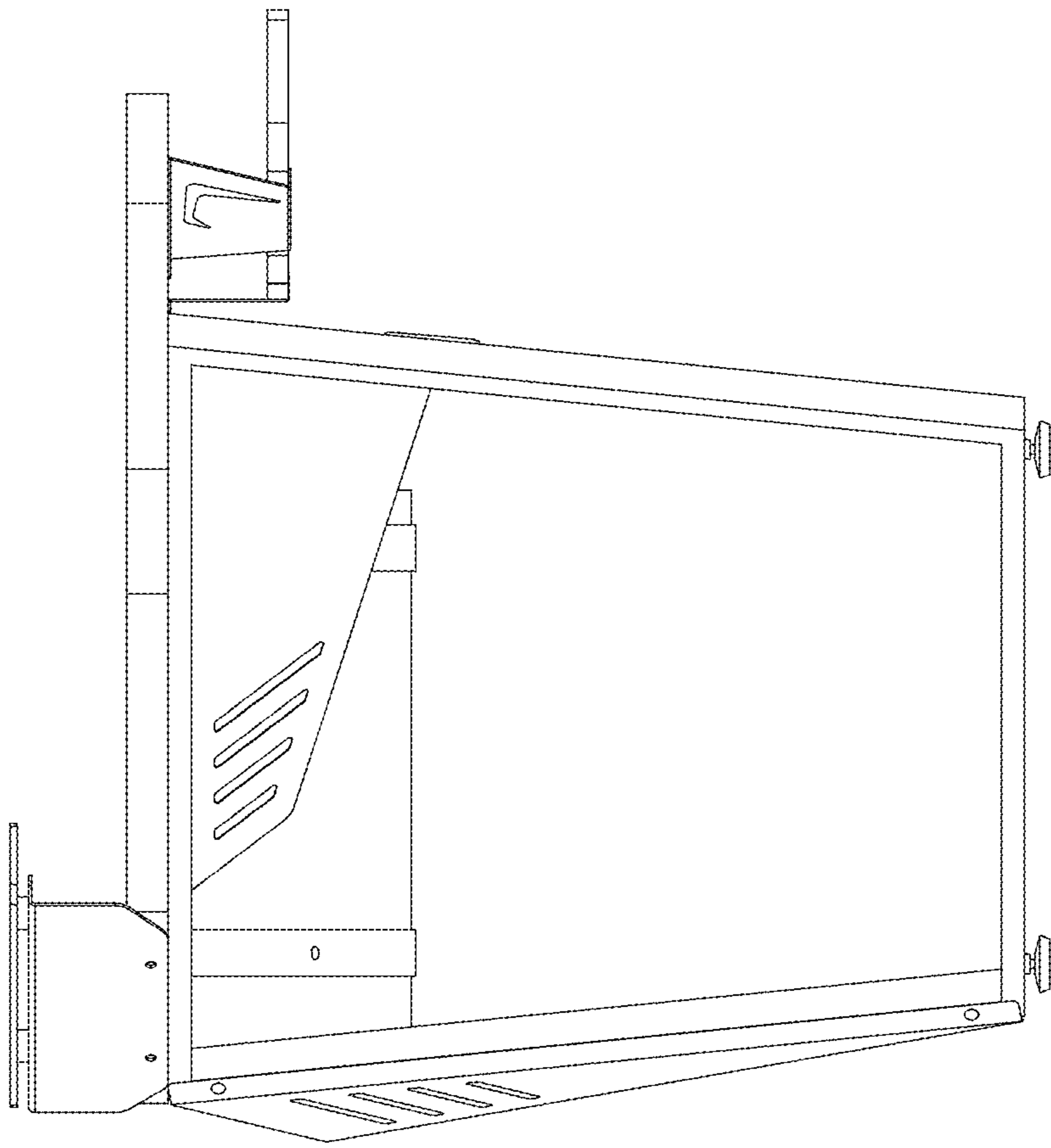


FIG. 7

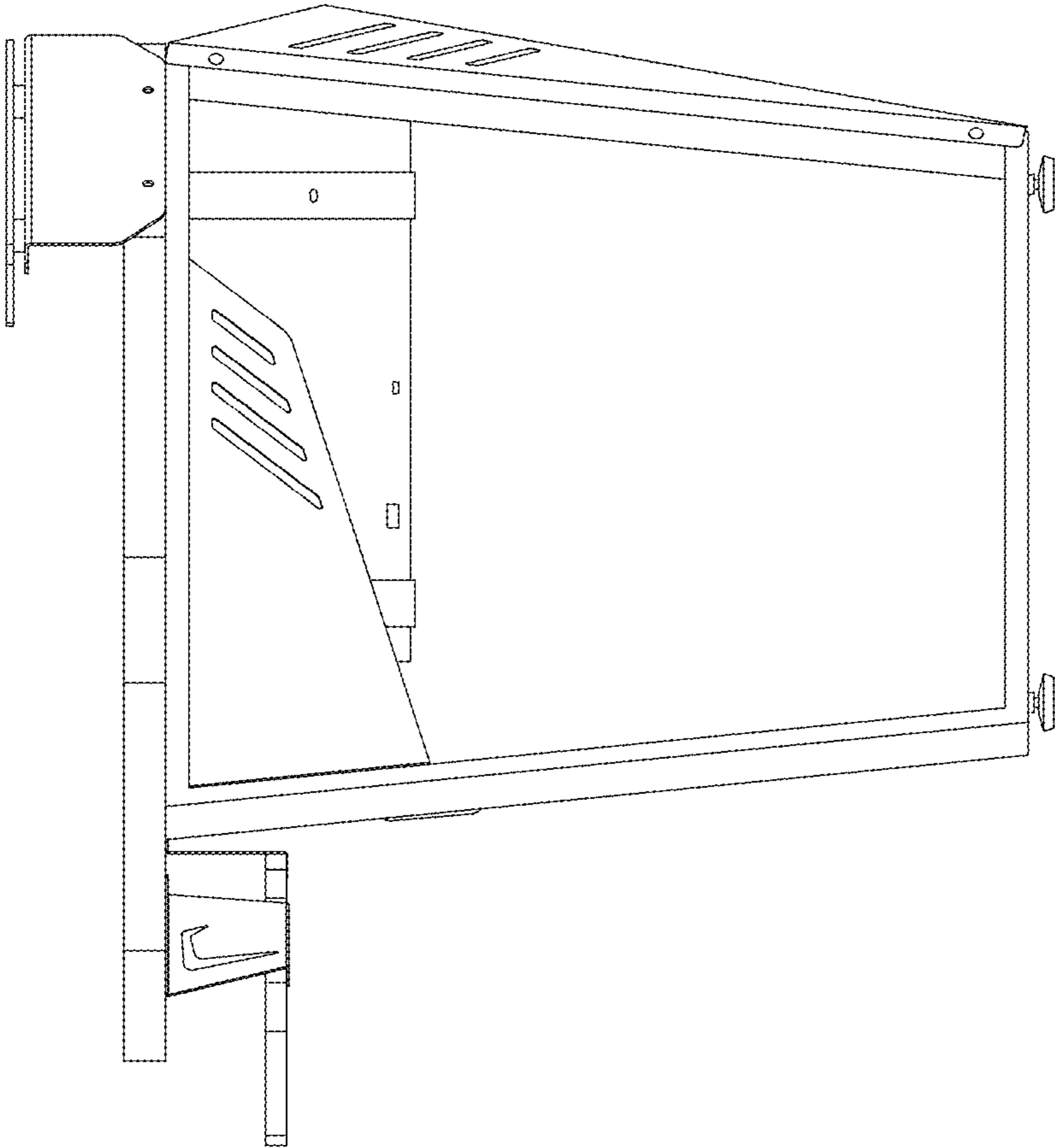


FIG.8