



US00D945794S

(12) **United States Design Patent**
Nguyen

(10) **Patent No.:** **US D945,794 S**
(45) **Date of Patent:** **** Mar. 15, 2022**

(54) **MATTRESS CORE**

(71) Applicant: **Avocado Green Brands, LLC,**
Fullerton, CA (US)

(72) Inventor: **Vy Nguyen,** Fullerton, CA (US)

(73) Assignee: **AVOCADO GREEN BRANDS, LLC,**
Fullerton, CA (US)

(**) Term: **15 Years**

(21) Appl. No.: **29/748,357**

(22) Filed: **Aug. 28, 2020**

(51) **LOC (13) Cl.** **06-09**

(52) **U.S. Cl.**
USPC **D6/605**

(58) **Field of Classification Search**
USPC D6/382, 595, 596, 605, 606, 607;
D34/38
CPC A47C 23/00; A47C 23/06; A47C 23/061;
A47C 23/062; A47C 23/66; A47C
23/067; A47C 23/068; A47C 19/02
See application file for complete search history.

(56) **References Cited**

U.S. PATENT DOCUMENTS

D421,358 S *	3/2000	Henson	D6/595
D446,071 S *	8/2001	Hawkins	D6/596
D642,847 S *	8/2011	Rinehart	D6/606
D667,671 S *	9/2012	Rinehart	D6/605
D691,400 S *	10/2013	Young	D6/606
D697,337 S *	1/2014	Young	D6/606

D787,862 S *	5/2017	Szpyt	D6/606
D917,207 S *	4/2021	Yin	D6/605
2012/0180225 A1 *	7/2012	Gladney	A47C 27/148 5/740

* cited by examiner

Primary Examiner — Jennifer L Rempfer

(74) *Attorney, Agent, or Firm* — Keith Kline; The Kline Law Firm PC

(57) **CLAIM**

The ornamental design for a mattress core, as shown and described.

DESCRIPTION

FIG. 1 is a perspective view of the mattress core with one mattress element, showing the design thereof.

FIG. 2 is a detailed view of a portion of the mattress core with one mattress element that would be generated by sectioning along lines A-A and B-B.

FIG. 3 is a top plan view of the mattress core with one mattress element.

FIG. 4 is a bottom plan view of the mattress core with one mattress element.

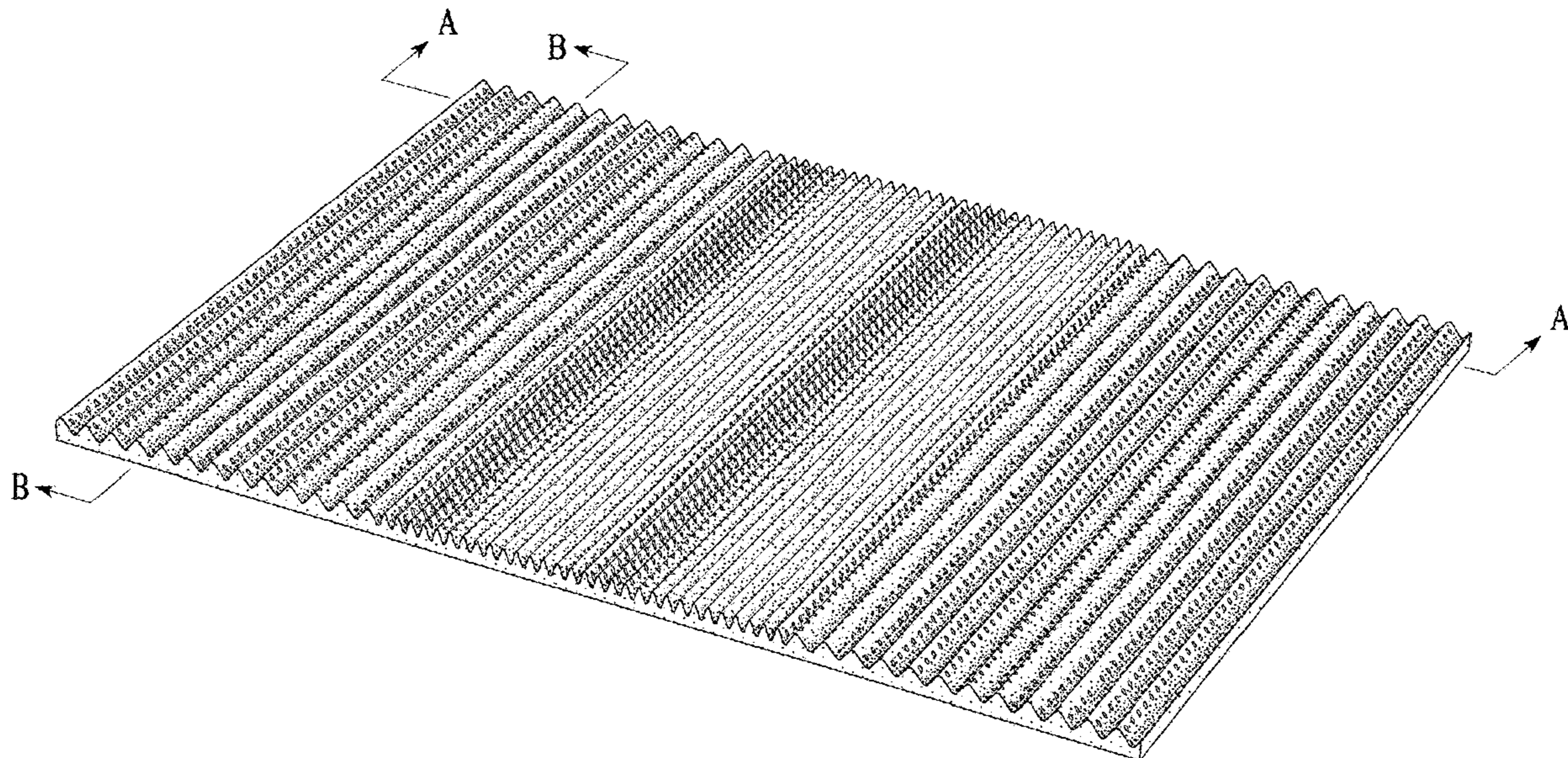
FIG. 5 is an end view of the mattress core with one mattress element.

FIG. 6 is a side view of the mattress core with one mattress element.

FIG. 7 is a side view of the inverted mattress core with one mattress element; and,

FIG. 8 is a side view of the mattress core with two mattress elements sandwiched together, where the mattress element depicted in broken lines forms no part of the claimed design.

1 Claim, 4 Drawing Sheets



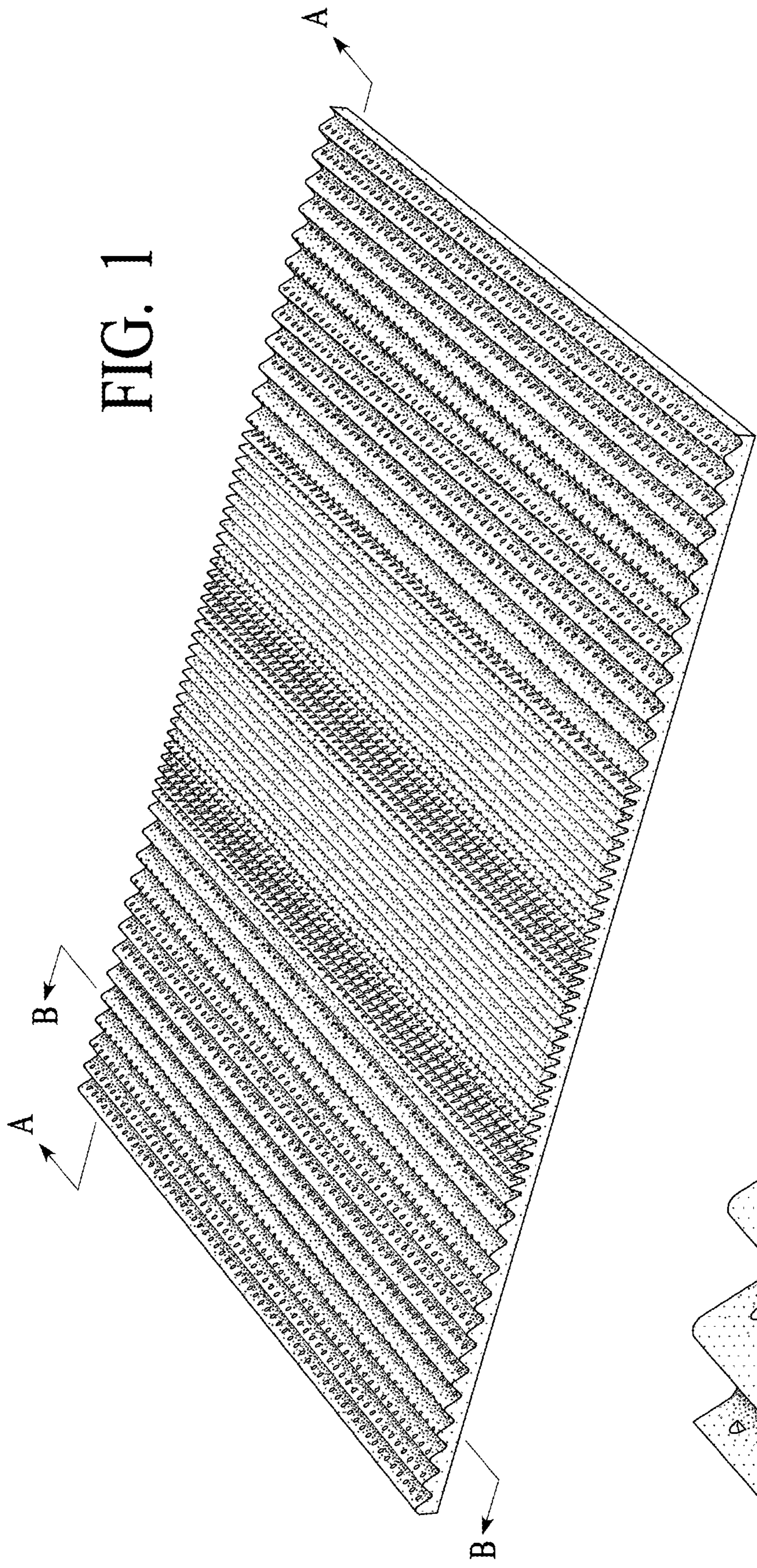


FIG. 1

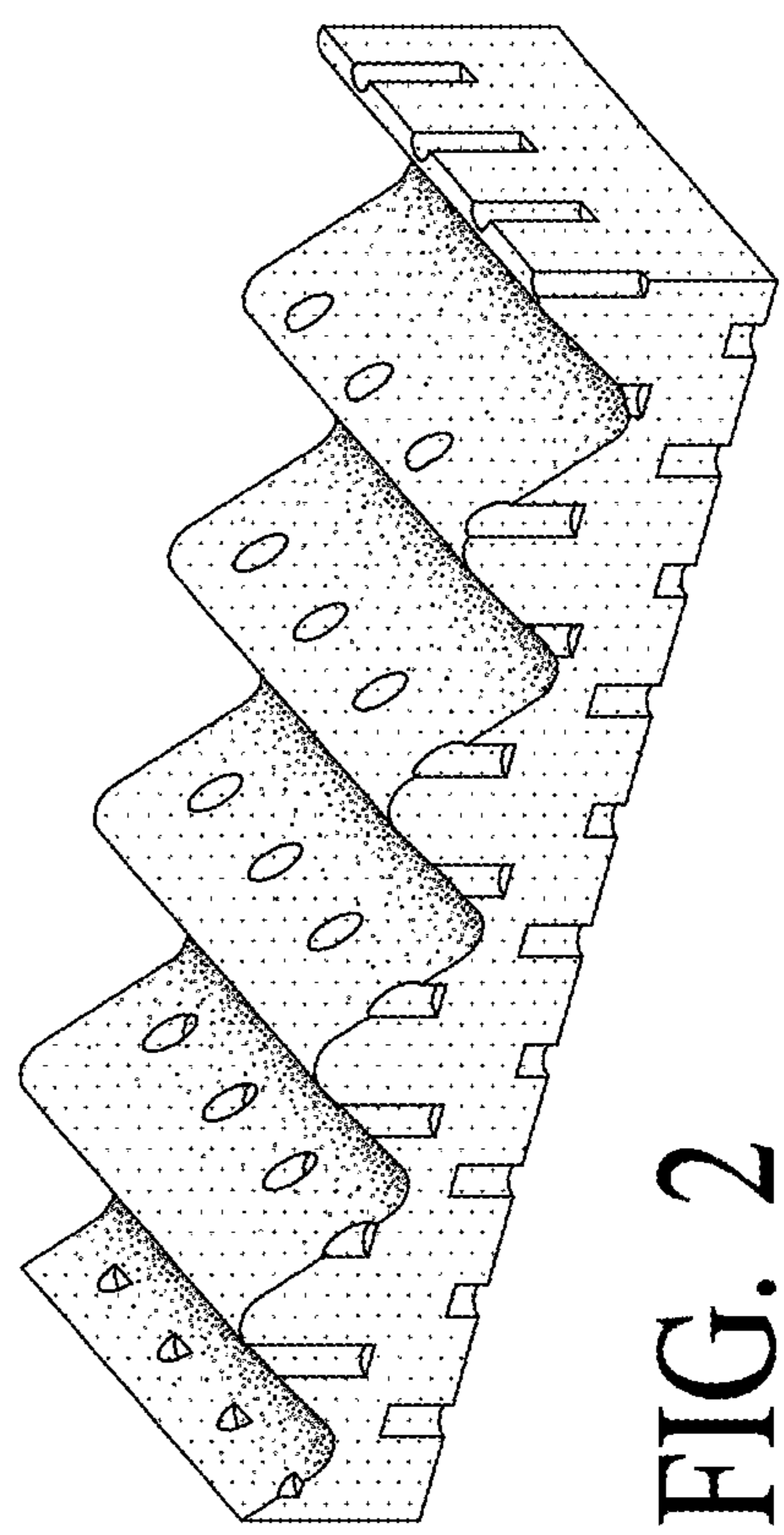


FIG. 2

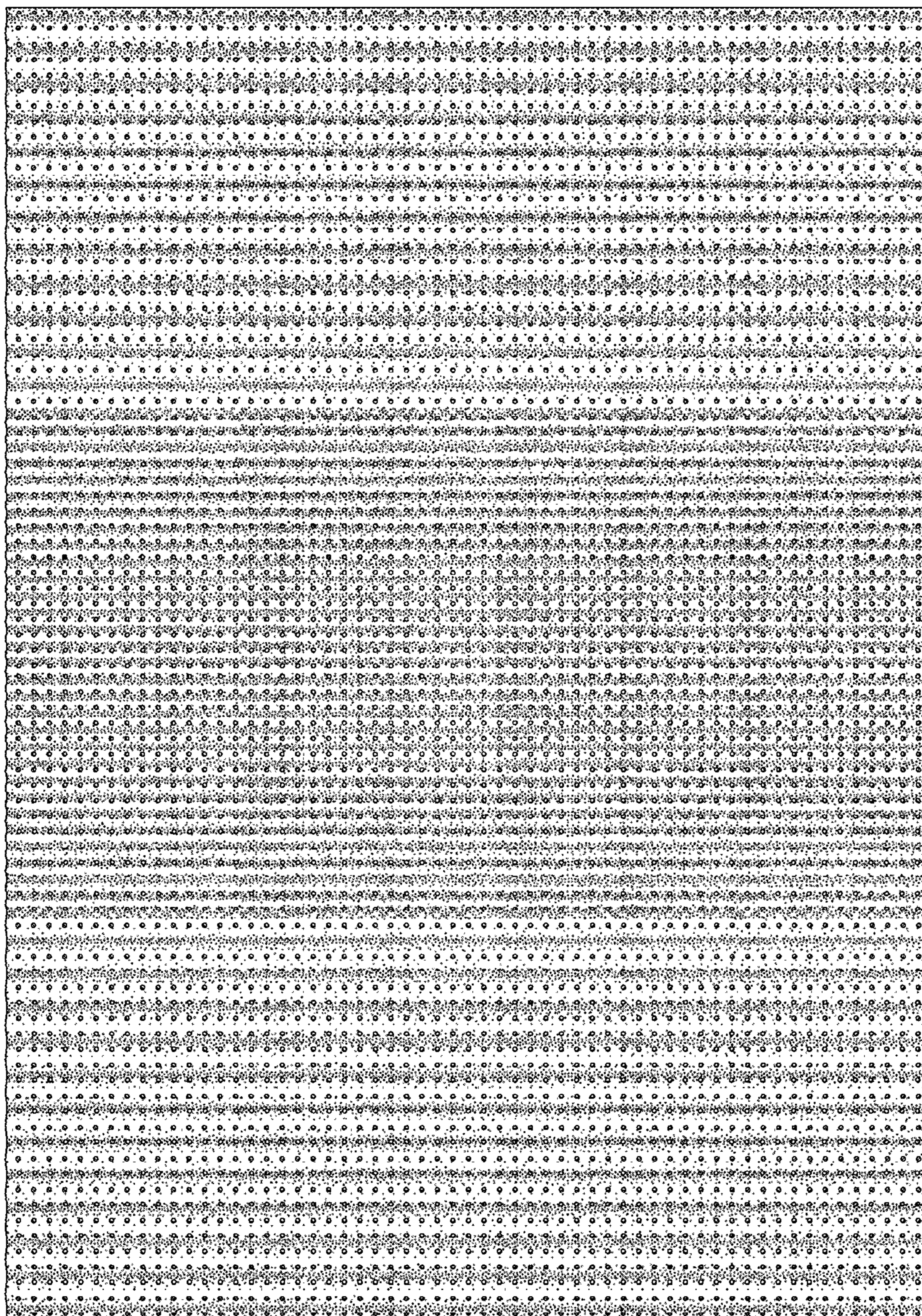


FIG. 3

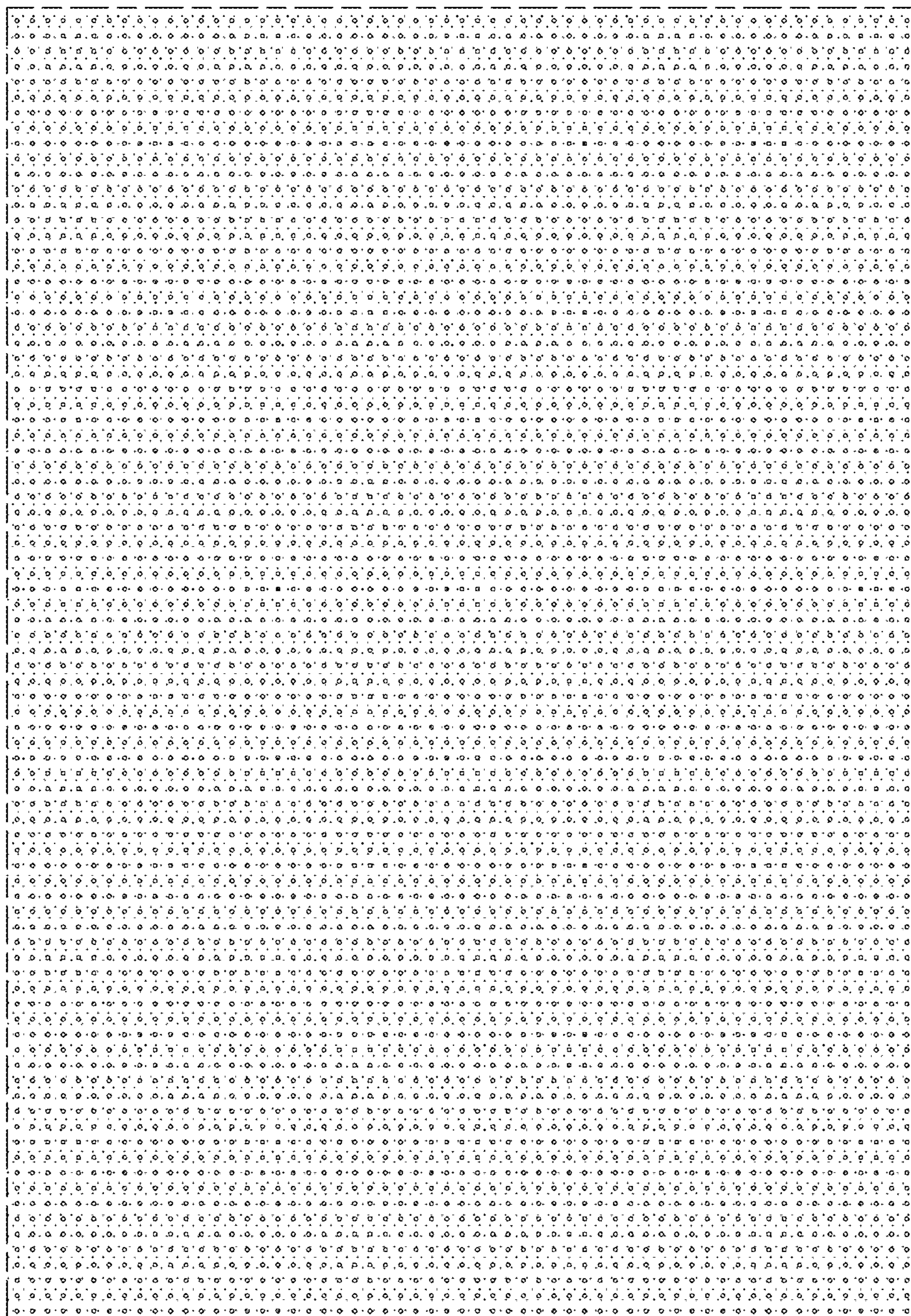


FIG. 4



FIG. 5



FIG. 6



FIG. 7

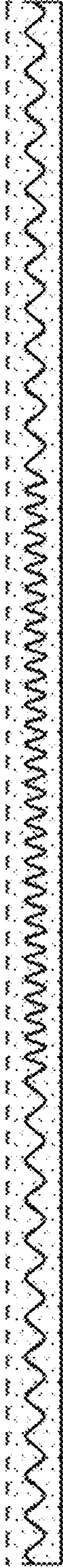


FIG. 8