



US00D945790S

(12) **United States Design Patent**
Lan

(10) **Patent No.:** **US D945,790 S**

(45) **Date of Patent:** **** Mar. 15, 2022**

- (54) **MAGNETIC KEY RACK**
- (71) Applicant: **Shenzhen Huagou Electronic Technology Co., Ltd., Shenzhen (CN)**
- (72) Inventor: **Jiefei Lan, Shenzhen (CN)**
- (**) Term: **15 Years**
- (21) Appl. No.: **29/786,009**
- (22) Filed: **May 28, 2021**
- (51) **LOC (13) Cl.** **06-04**
- (52) **U.S. Cl.**
USPC **D6/553; D6/574**
- (58) **Field of Classification Search**
USPC D6/553, 569, 672, 320-324, 574, 566, D6/571; D8/349, 354, 367, 372; 248/301-304, 309.1, 309.2; 211/13.1, 30, 211/32, 70.6, 56.01, 87.01, 181.1
CPC A47G 29/00; A47G 29/10
See application file for complete search history.

- D667,250 S 9/2012 Goodman
- D673,404 S * 1/2013 Grandidier D6/569
- D705,577 S 5/2014 Goodman
- D784,046 S 4/2017 Goodman
- 9,629,485 B2 * 4/2017 Florek A47G 33/004
- D901,935 S 11/2020 Yin
- D916,515 S * 4/2021 Wilson D6/572
- D937,005 S * 11/2021 Lai D6/574

OTHER PUBLICATIONS

Amazon.com, HIIMIEI Magnetic Key Rack with Tray, Mar. 25, 2021, <https://www.amazon.com/HIIMIEI-Magnetic-Acrylic-Mounted-Entryway/dp/B0912MCHP5/> (Year: 2021).*

* cited by examiner

Primary Examiner — Nathan M Johnston
(74) *Attorney, Agent, or Firm* — Rumit Ranjit Kanakia

(57) **CLAIM**

The ornamental design for a magnetic key rack, as shown and described.

(56) **References Cited**

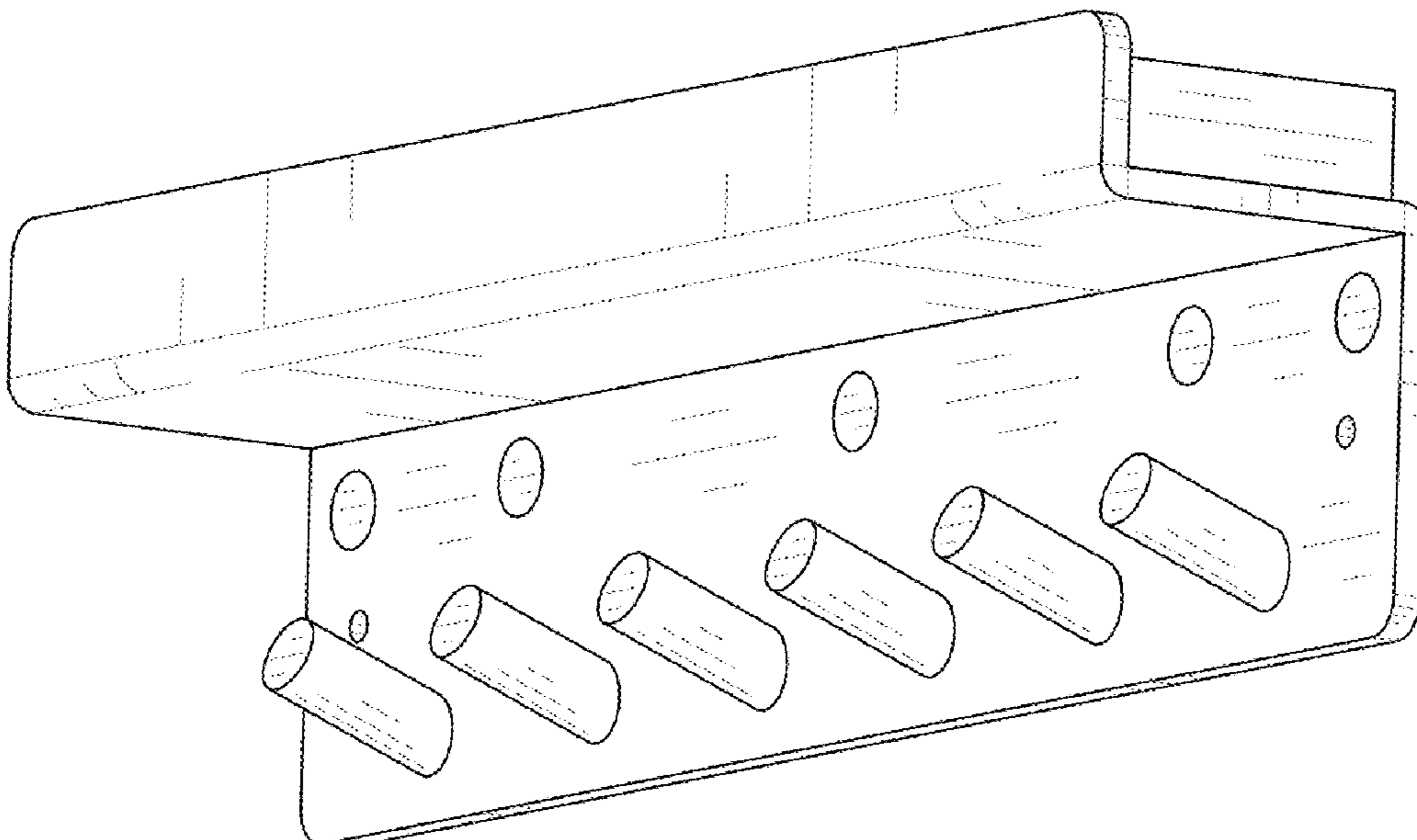
U.S. PATENT DOCUMENTS

- D314,115 S * 1/1991 Murphy D6/572
- D399,692 S * 10/1998 Wilcox D6/567
- D451,741 S * 12/2001 Norn D6/552
- D469,647 S * 2/2003 Howard A47G 29/10
D6/569
- D483,593 S * 12/2003 Knapp D6/572
- D496,817 S * 10/2004 Martin D6/553
- D581,711 S 12/2008 Goodman
- D592,436 S * 5/2009 Thompson D6/574
- D604,980 S * 12/2009 Beck D6/567
- D608,579 S 1/2010 Goodman
- D609,041 S 2/2010 Goodman
- D643,663 S 8/2011 Goodman
- D661,935 S * 6/2012 Kozak D6/566
- D666,856 S 9/2012 Goodman
- D666,859 S 9/2012 Goodman

DESCRIPTION

FIG. 1 is a front elevational view of a magnetic key rack showing my new design; FIG. 2 is a rear elevational view thereof; and FIG. 3 is a left side view thereof; FIG. 4 is a right side view thereof; FIG. 5 is a top plan view thereof; FIG. 6 is a bottom plan view thereof; FIG. 7 is a perspective view of a magnetic key rack showing my new design; and, FIG. 8 is another perspective view thereof. The broken lines in the figures are for the purposes of illustrating portions of the magnetic key rack, which form no part of the claimed design.

1 Claim, 8 Drawing Sheets



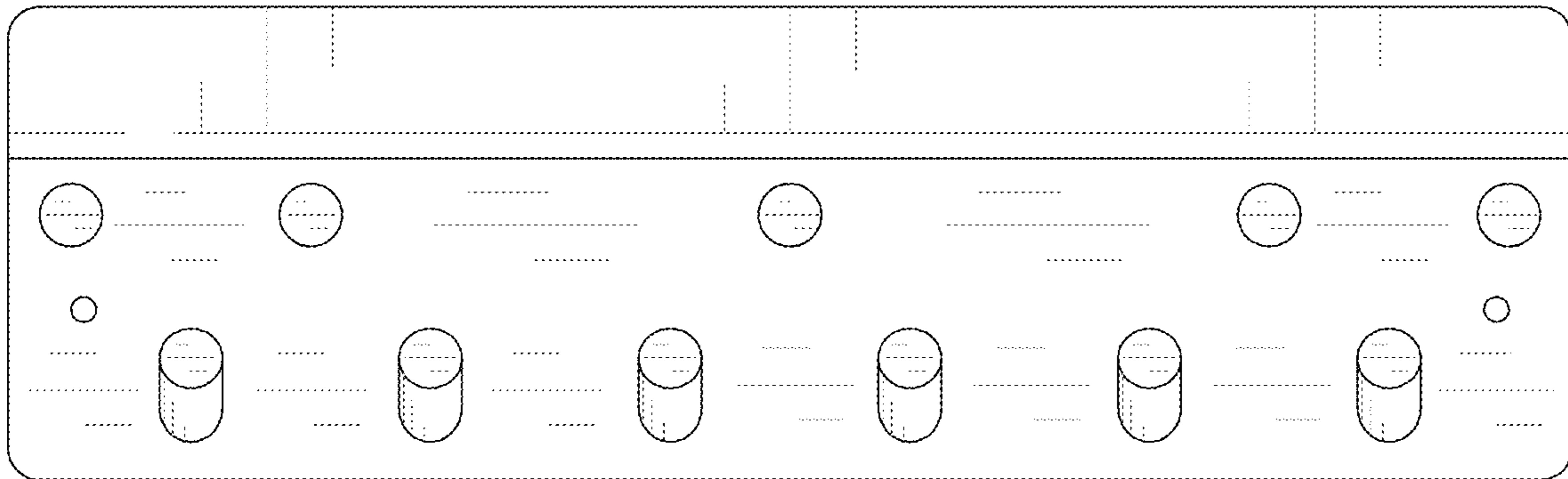


FIG. 1

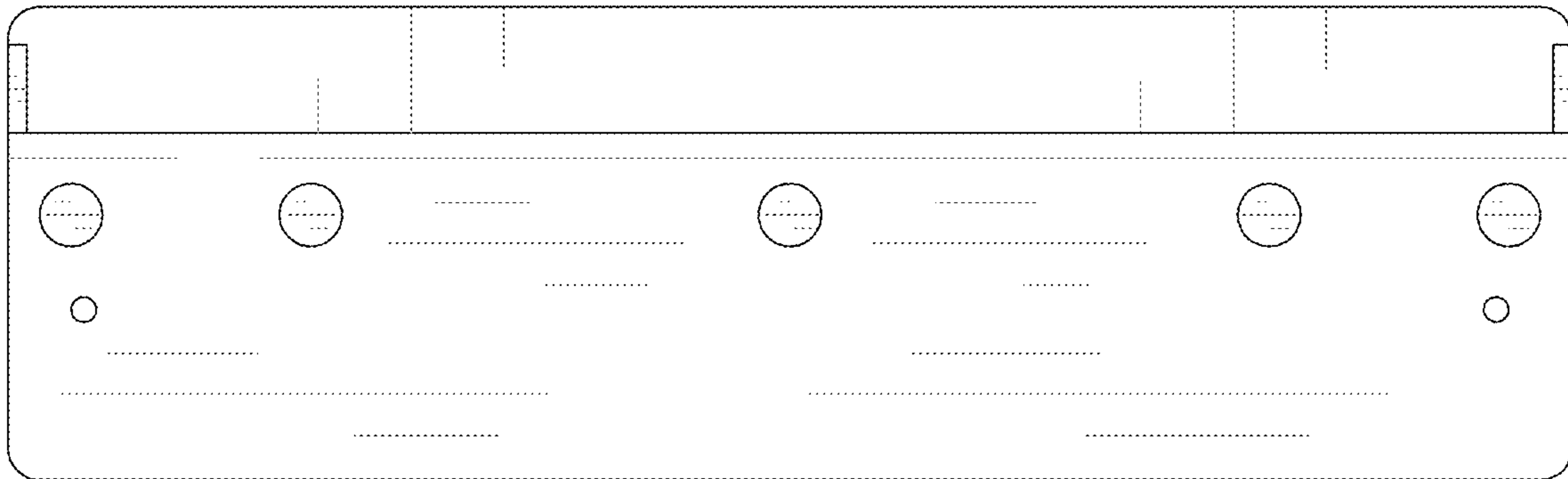


FIG. 2

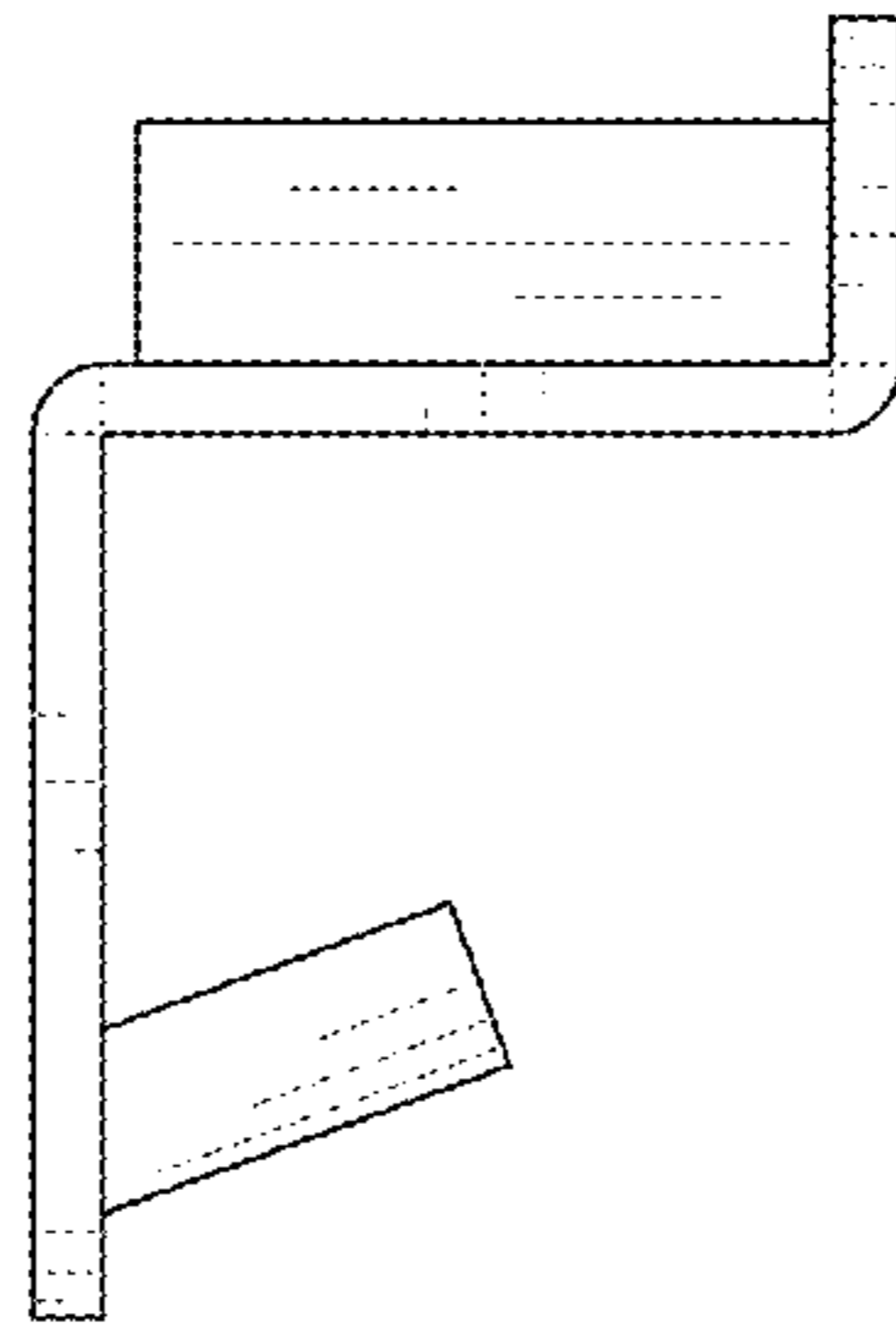


FIG.3

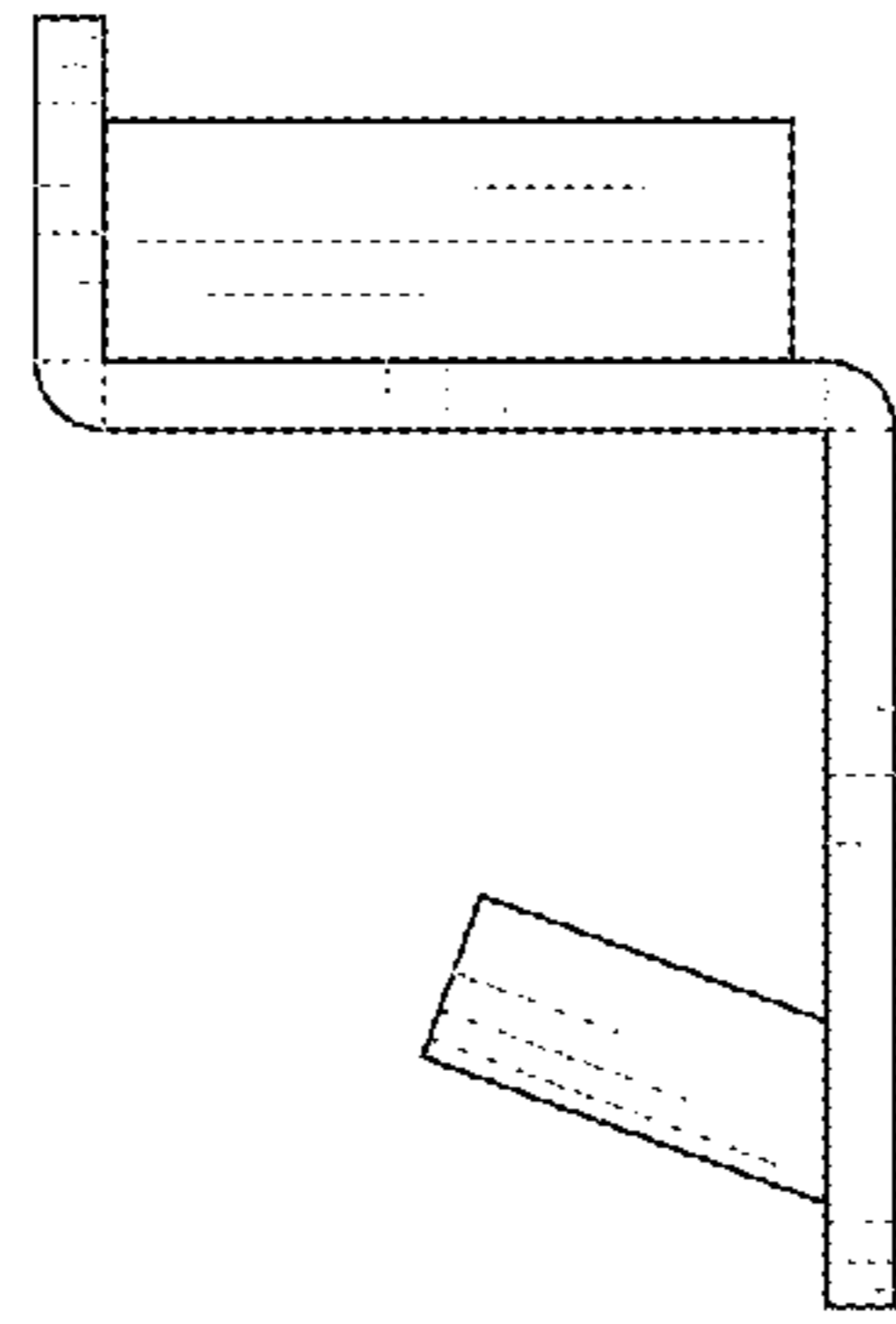


FIG.4

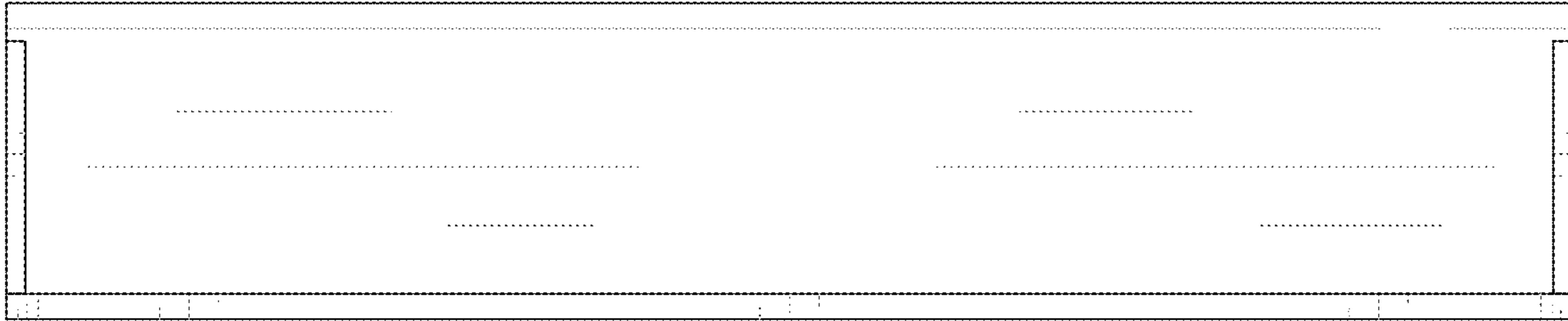


FIG. 5

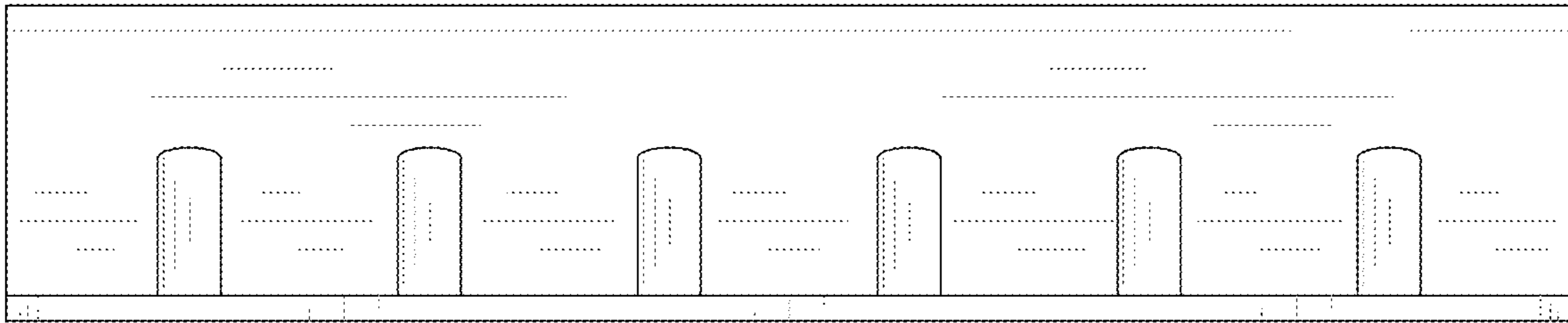


FIG. 6

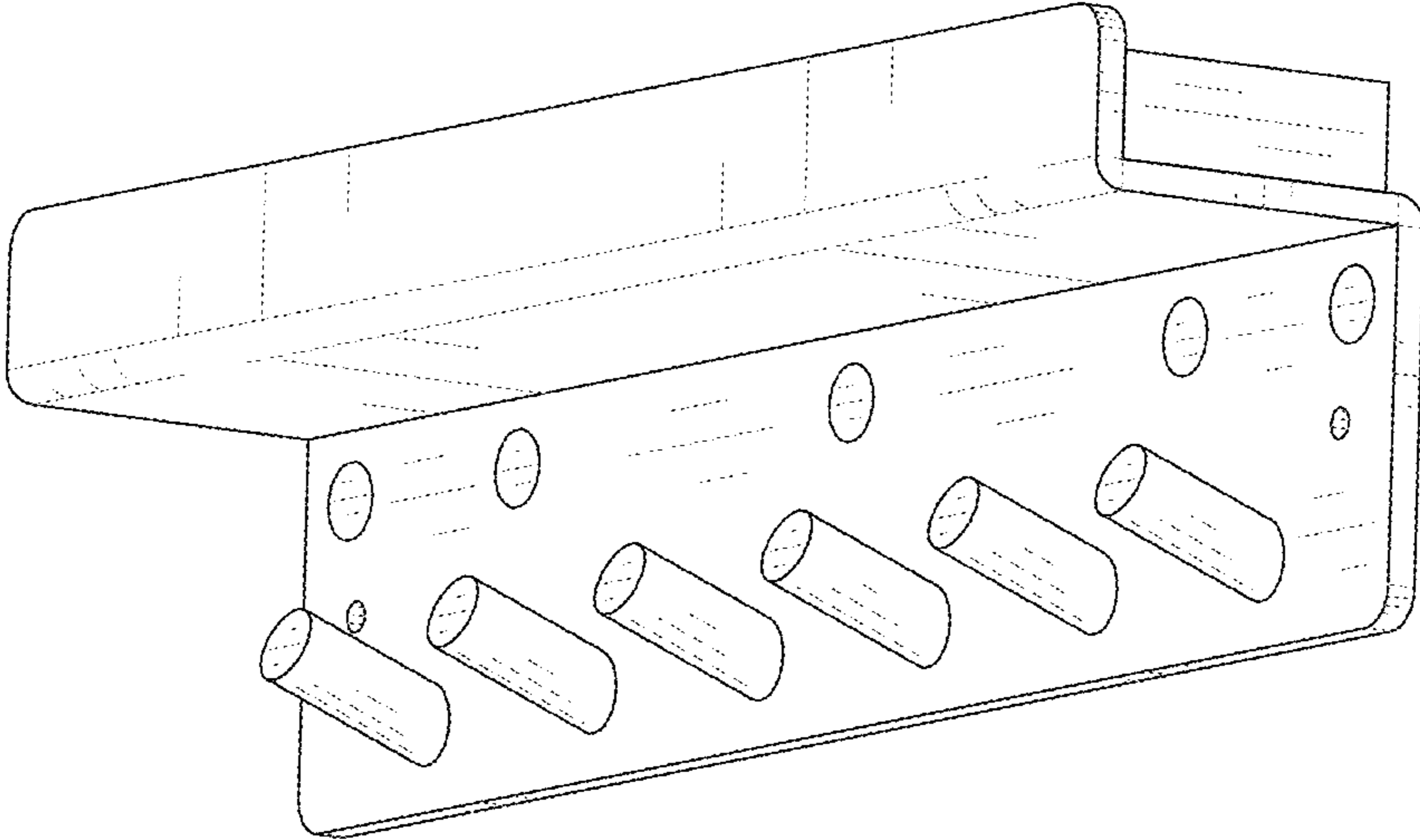


FIG. 7

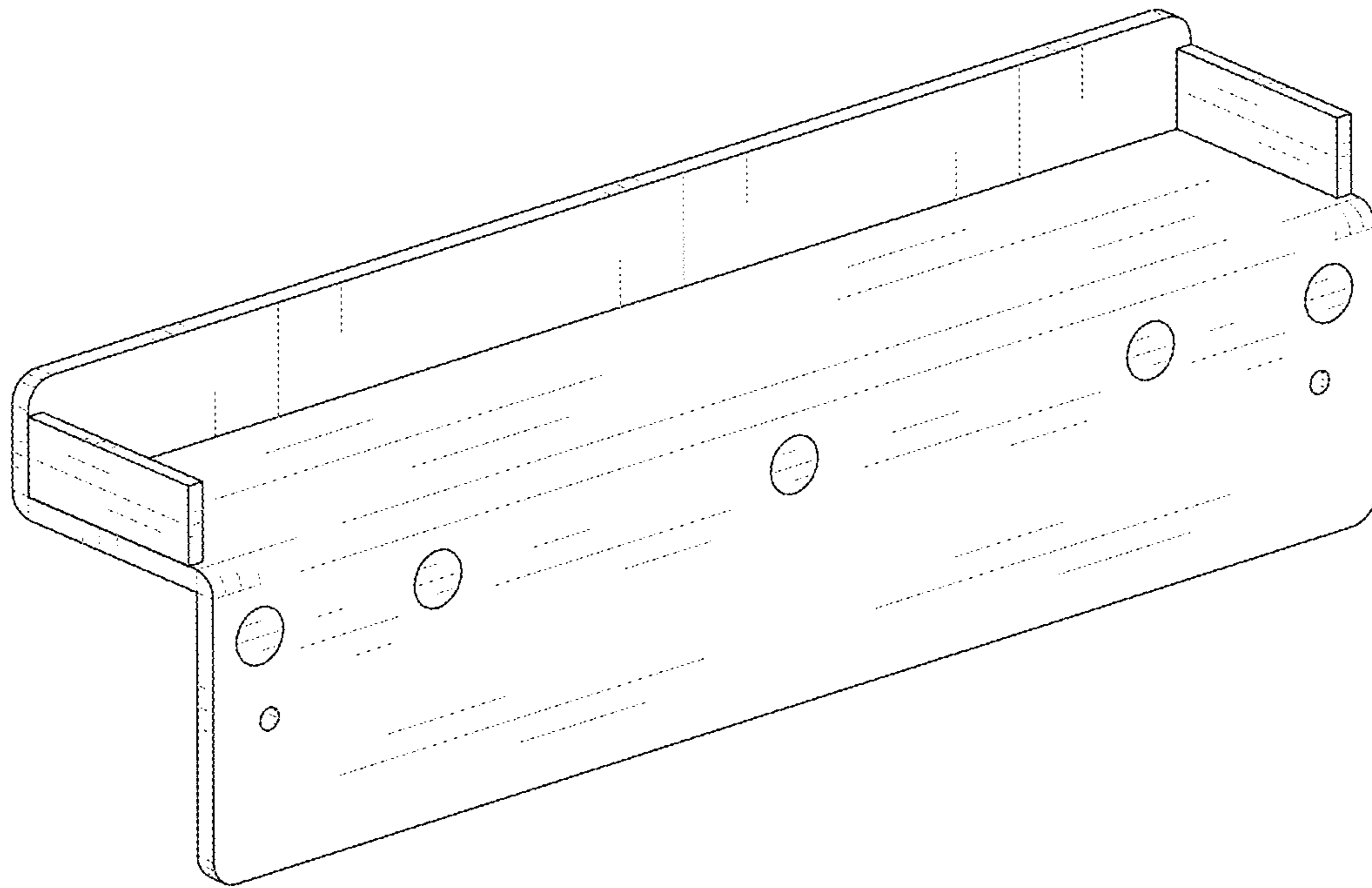


FIG. 8