



US00D945789S

(12) **United States Design Patent** (10) **Patent No.:** **US D945,789 S**  
**Swanson** (45) **Date of Patent:** **\*\* Mar. 15, 2022**

(54) **PADDLE STAND**

(71) Applicant: **Dan Swanson**, Lodi, CA (US)

(72) Inventor: **Dan Swanson**, Lodi, CA (US)

(\*\*) Term: **15 Years**

(21) Appl. No.: **29/773,086**

(22) Filed: **Mar. 6, 2021**

(51) **LOC (13) Cl.** ..... **06-04**

(52) **U.S. Cl.**  
USPC ..... **D6/552**

(58) **Field of Classification Search**

USPC ..... D6/552, 675.4; D8/349, 354, 373, 380,  
D8/381, 402, 403; D12/223, 406, 412,  
(Continued)

(56) **References Cited**

U.S. PATENT DOCUMENTS

D507,033 S \* 7/2005 Landig, Jr. .... D21/796  
D572,942 S \* 7/2008 Robbins ..... D6/675.4  
(Continued)

OTHER PUBLICATIONS

NEXTuP Pickleball Racks, accessed on Dec. 15, 2020, available at  
<https://www.nextupickleball.com>.

(Continued)

*Primary Examiner* — Nathan M Johnston

(74) *Attorney, Agent, or Firm* — Sierra IP Law, PC;  
William K. Nelson

(57) **CLAIM**

I claim the ornamental design for a paddle stand, as shown  
and described.

**DESCRIPTION**

FIG. 1 is a perspective view of an embodiment of a paddle  
stand showing my new design;

FIG. 2 is an elevation posterior view of the paddle stand of  
FIG. 1;

FIG. 3 is an elevation anterior view of the paddle stand of  
FIG. 1;

FIG. 4 is a first side elevation view of the paddle stand of  
FIG. 1;

FIG. 5 is a second side elevation view of the paddle stand of  
FIG. 1;

FIG. 6 is a top plan view of the paddle stand of FIG. 1; and  
FIG. 7 is a bottom plan view of the paddle stand of FIG. 1;

FIG. 8 is a perspective view of an embodiment of a paddle  
stand showing my new design;

FIG. 9 is an elevation posterior view of the paddle stand of  
FIG. 8;

FIG. 10 is an elevation anterior view of the paddle stand of  
FIG. 8;

FIG. 11 is a first side elevation view of the paddle stand of  
FIG. 8;

FIG. 12 is a second side elevation view of the paddle stand  
of FIG. 8;

FIG. 13 is a top plan view of the paddle stand of FIG. 8; and  
FIG. 14 is a bottom plan view of the paddle stand of FIG. 8;

FIG. 15 is a perspective view of an embodiment of a paddle  
stand showing my new design;

FIG. 16 is an elevation posterior view of the paddle stand of  
FIG. 15;

FIG. 17 is an elevation anterior view of the paddle stand of  
FIG. 15;

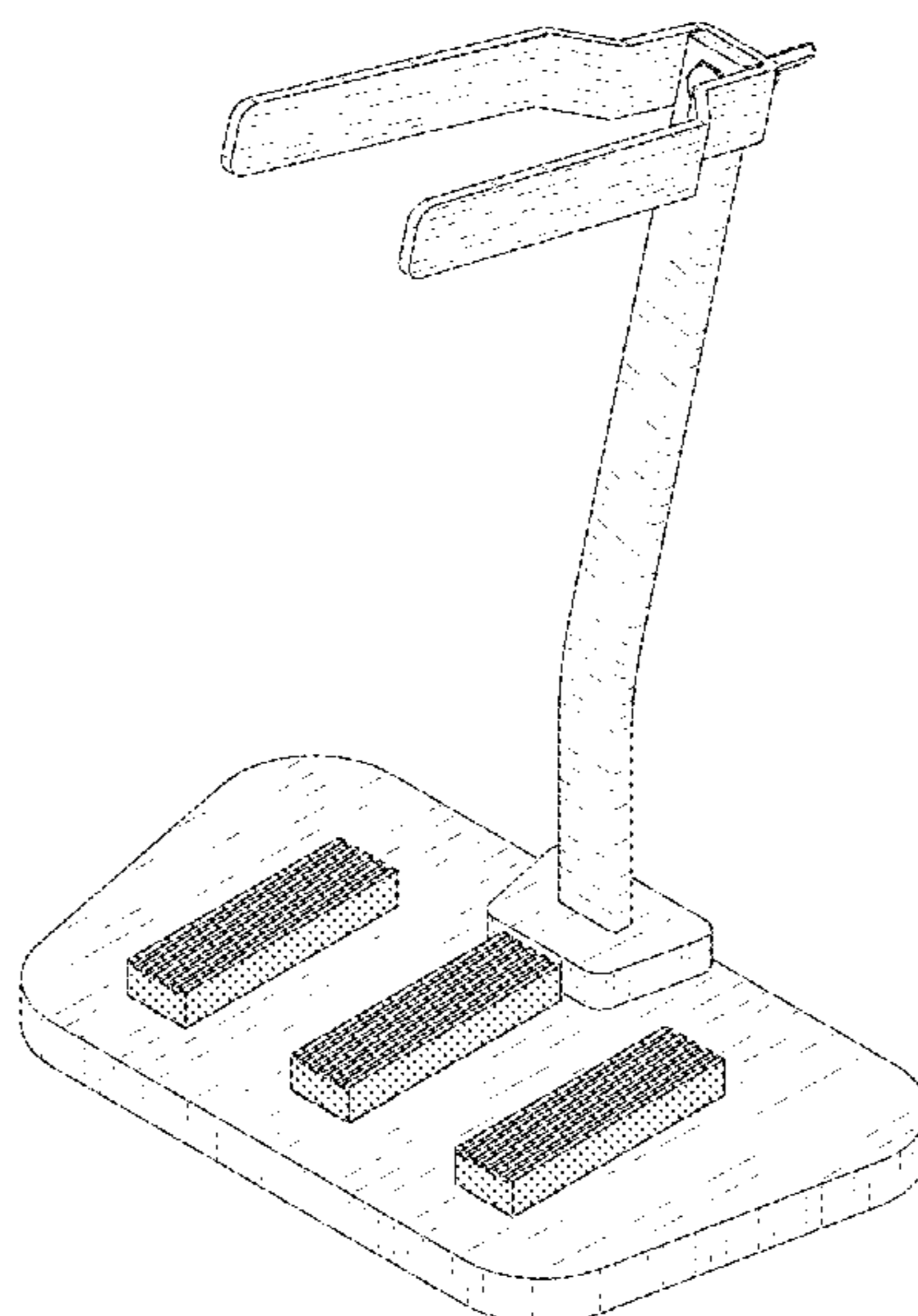
FIG. 18 is a first side elevation view of the paddle stand of  
FIG. 15;

FIG. 19 is a second side elevation view of the paddle stand  
of FIG. 15;

FIG. 20 is a top plan view of the paddle stand of FIG. 15;  
and,

FIG. 21 is a bottom plan view of the paddle stand of FIG. 15.  
The broken lines are for the purpose of illustrating portions  
of the paddle stand that form no part of the claimed design.

**1 Claim, 21 Drawing Sheets**



(58) **Field of Classification Search**

USPC ..... D12/115, 408, 415; 211/13, 42;  
248/200, 220.1, 300; D21/796  
CPC ..... B63H 16/04; B63B 32/00; A63B 2102/16;  
A63B 60/12; A63B 2069/068; A63B  
2102/08; A63B 2102/02; A63B 71/023;  
A63B 49/00; A63B 60/06; A63B 61/00;  
A63B 61/02; A45F 2003/00; A45F  
2200/05

See application file for complete search history.

(56) **References Cited**

U.S. PATENT DOCUMENTS

D679,123 S \* 4/2013 Evangelista ..... D6/552  
D774,422 S \* 12/2016 Greenblatt ..... D12/115  
D781,614 S \* 3/2017 Taylor ..... D6/552  
D813,567 S \* 3/2018 Browning ..... D6/552  
D908,592 S \* 1/2021 Dilts ..... D12/406

OTHER PUBLICATIONS

Paddle Display Stands—PROLITE Sports, accessed on Dec. 15,  
2020, available at <https://prolitepaddles.com/paddle-display-stands/>.

\* cited by examiner

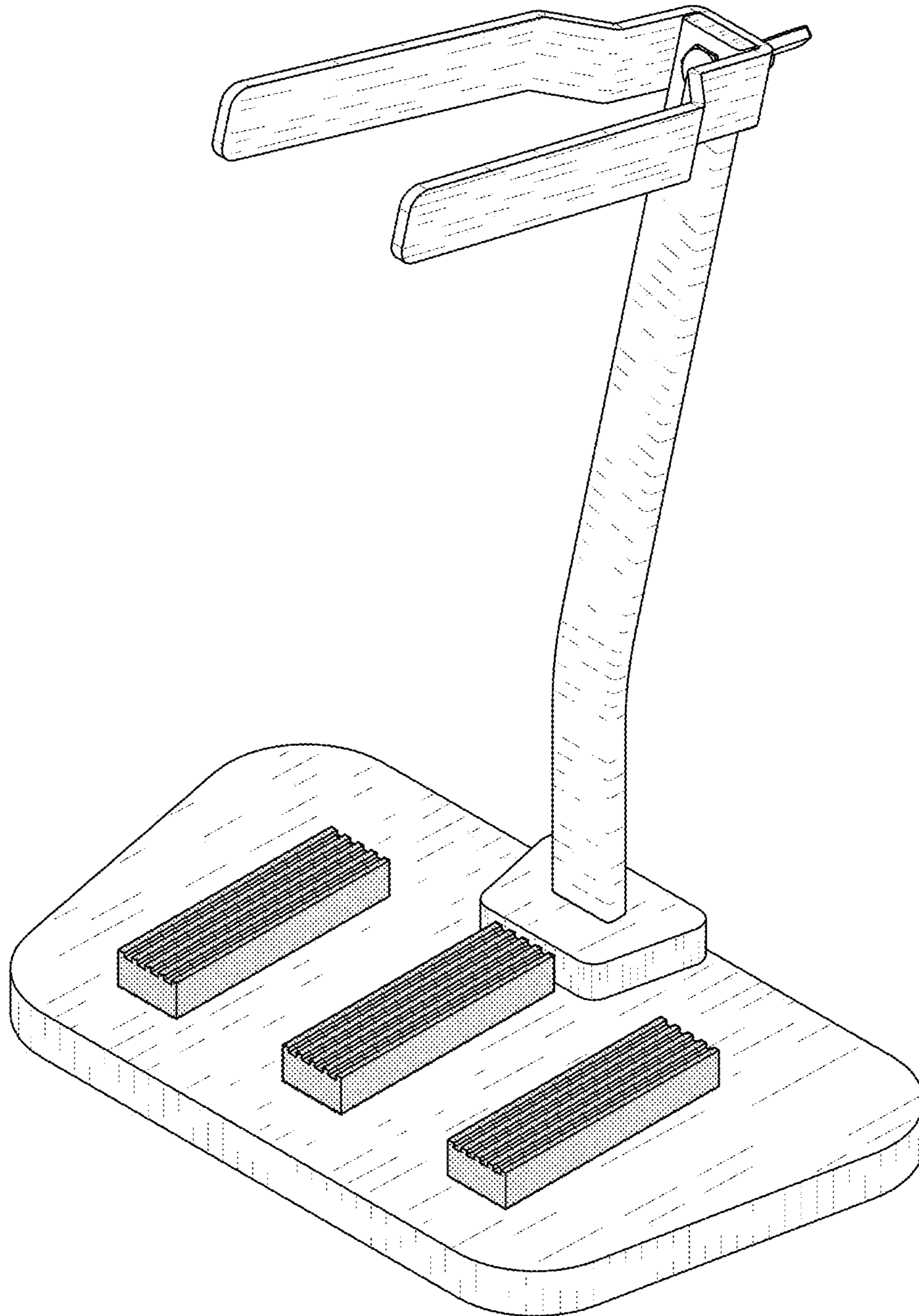


FIG. 1

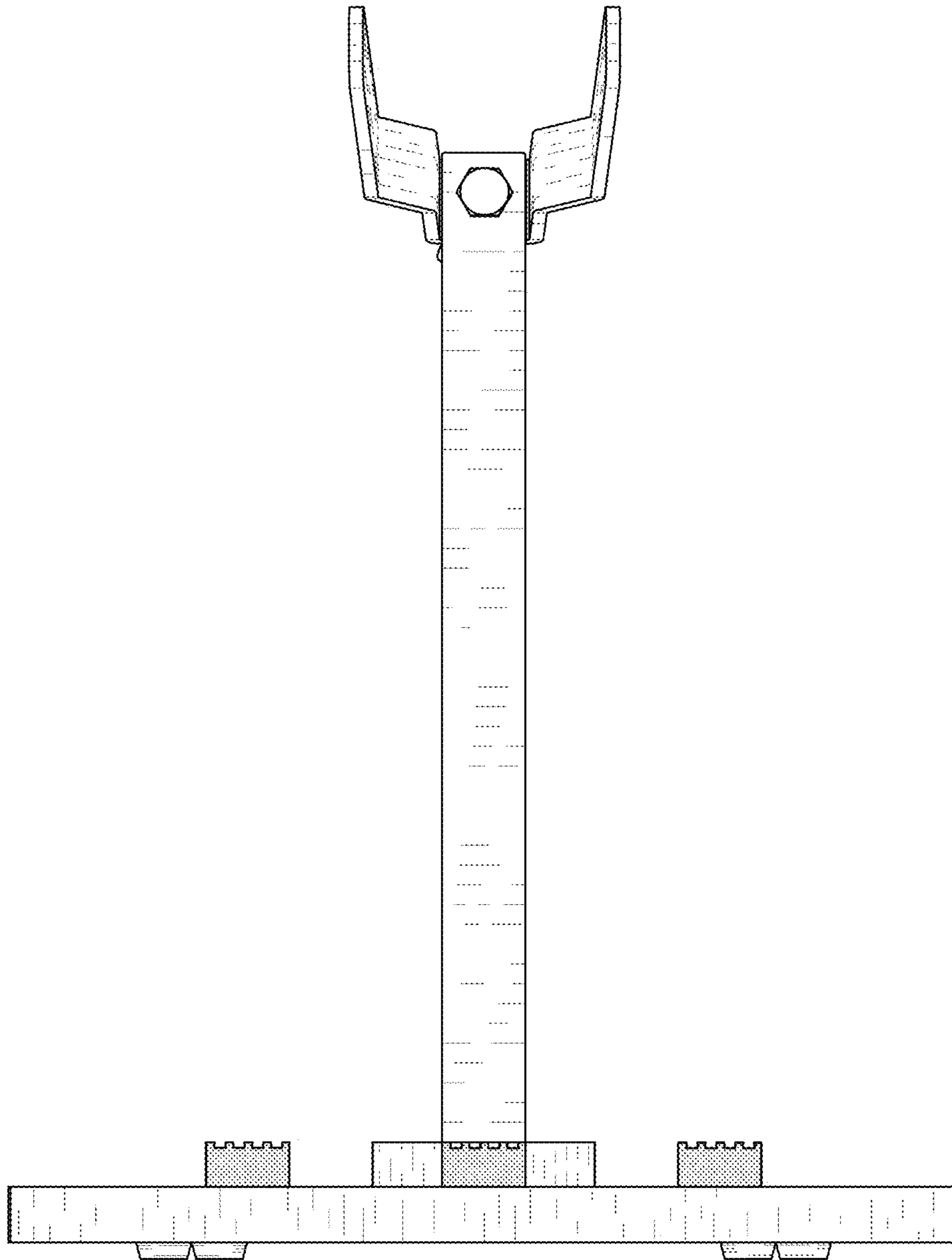


FIG. 2

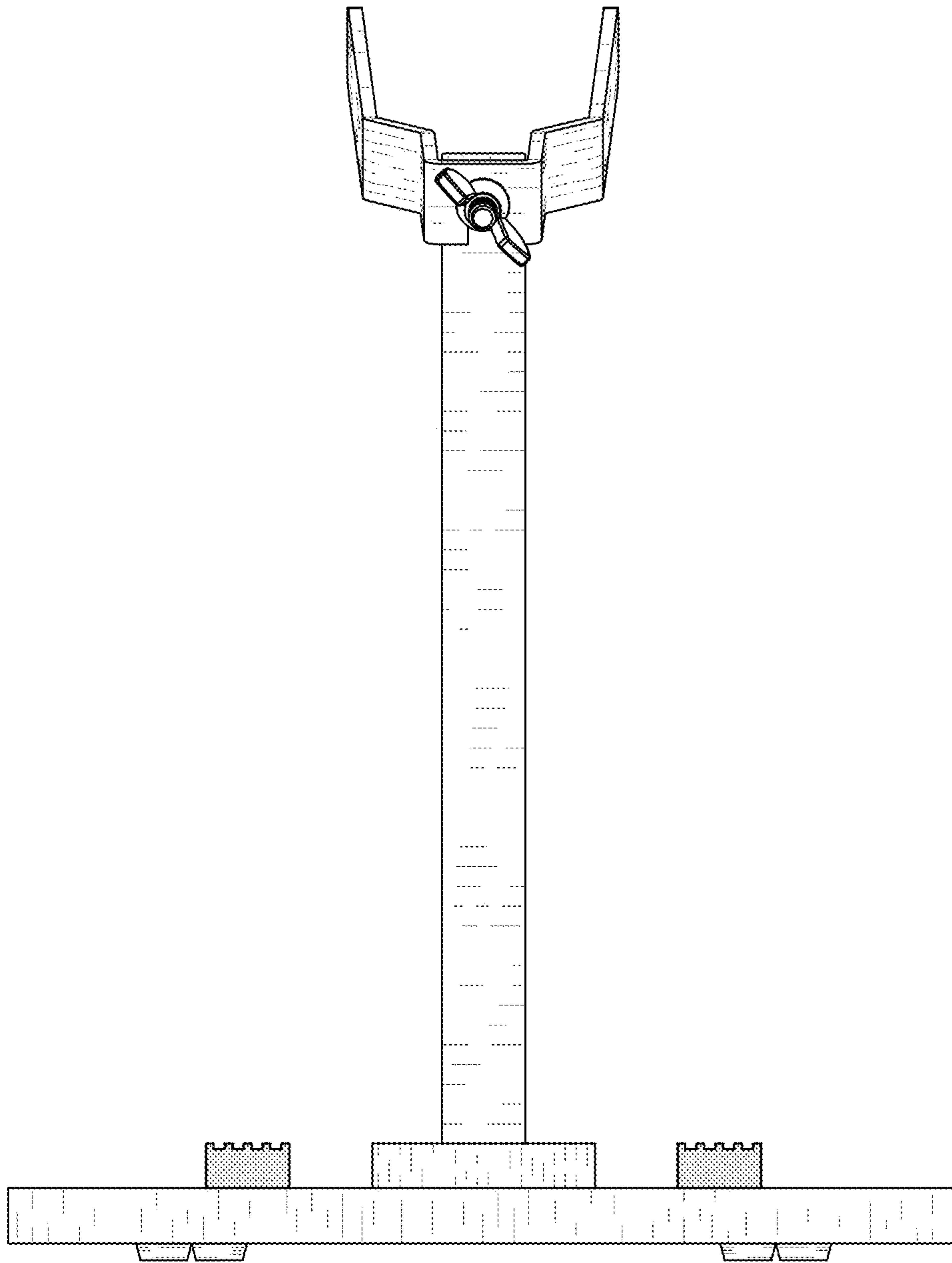


FIG. 3

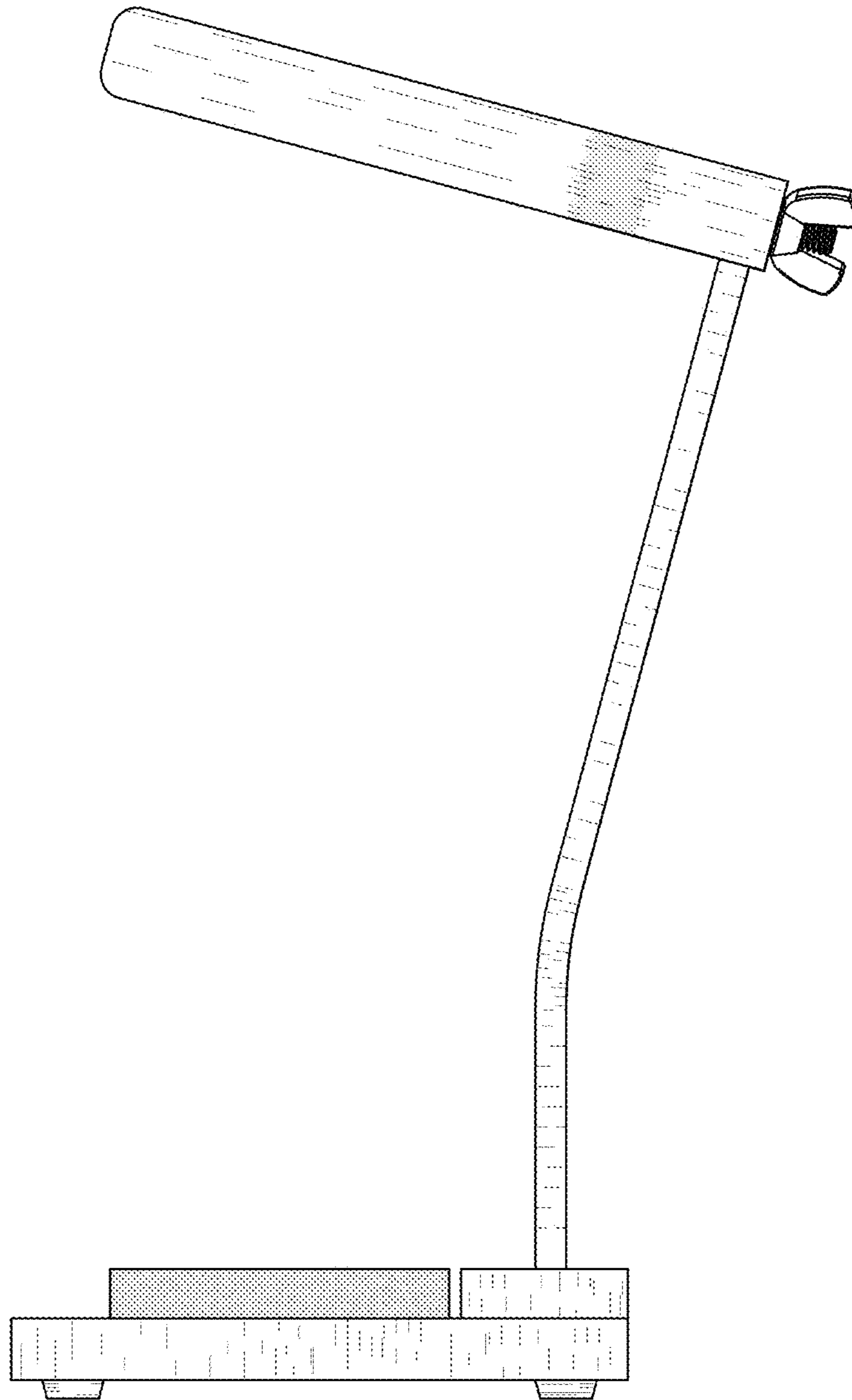


FIG. 4

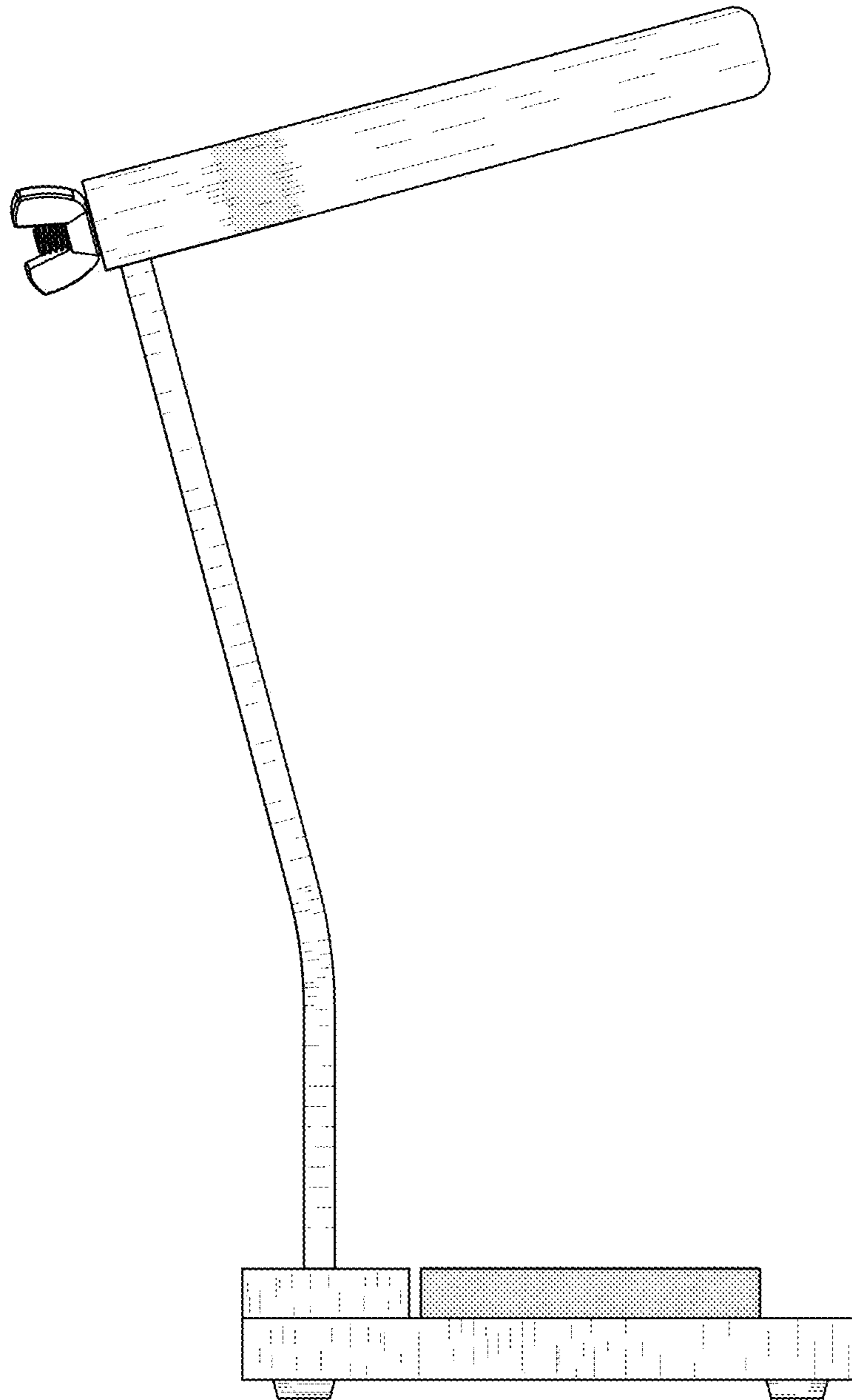


FIG. 5

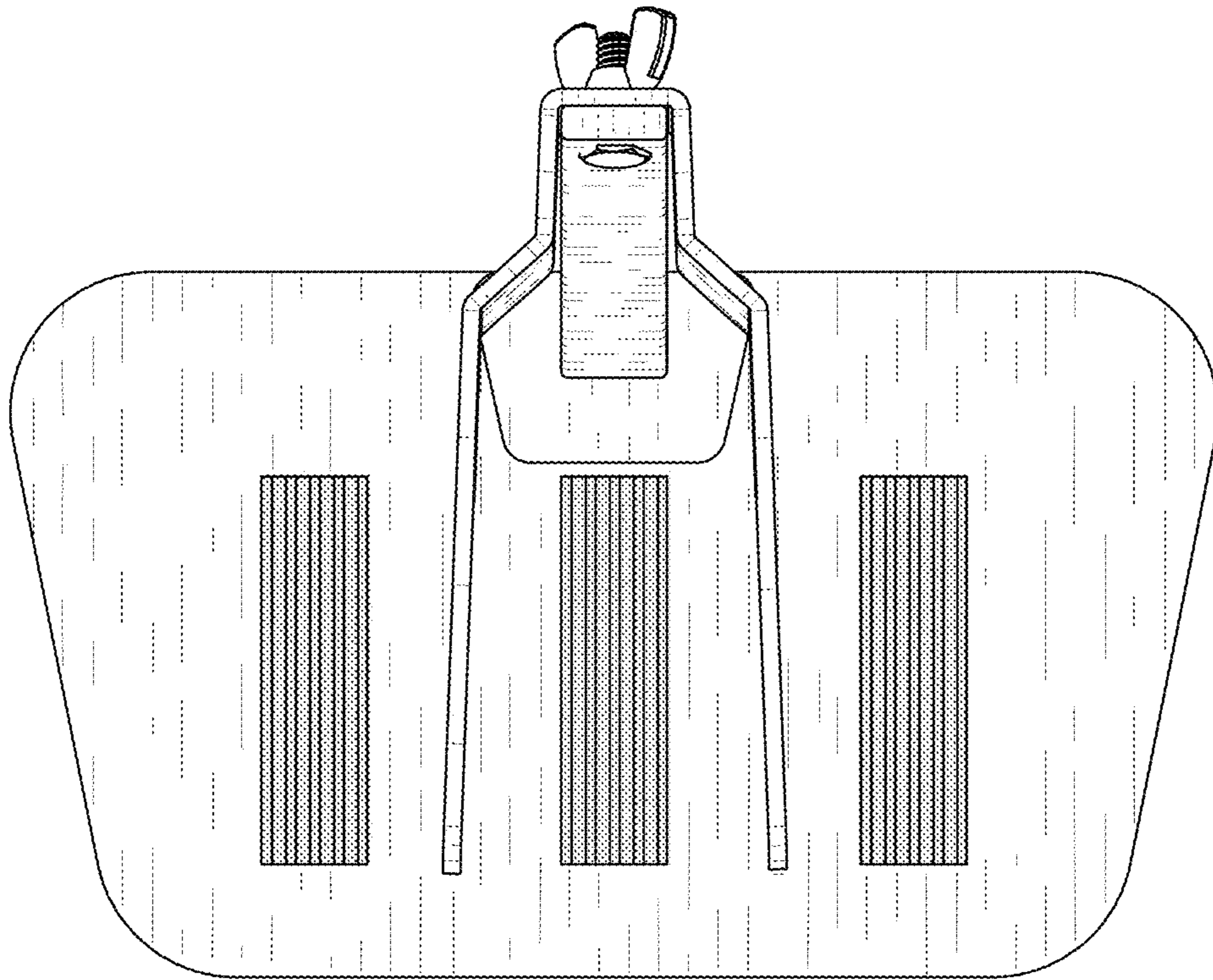


FIG. 6



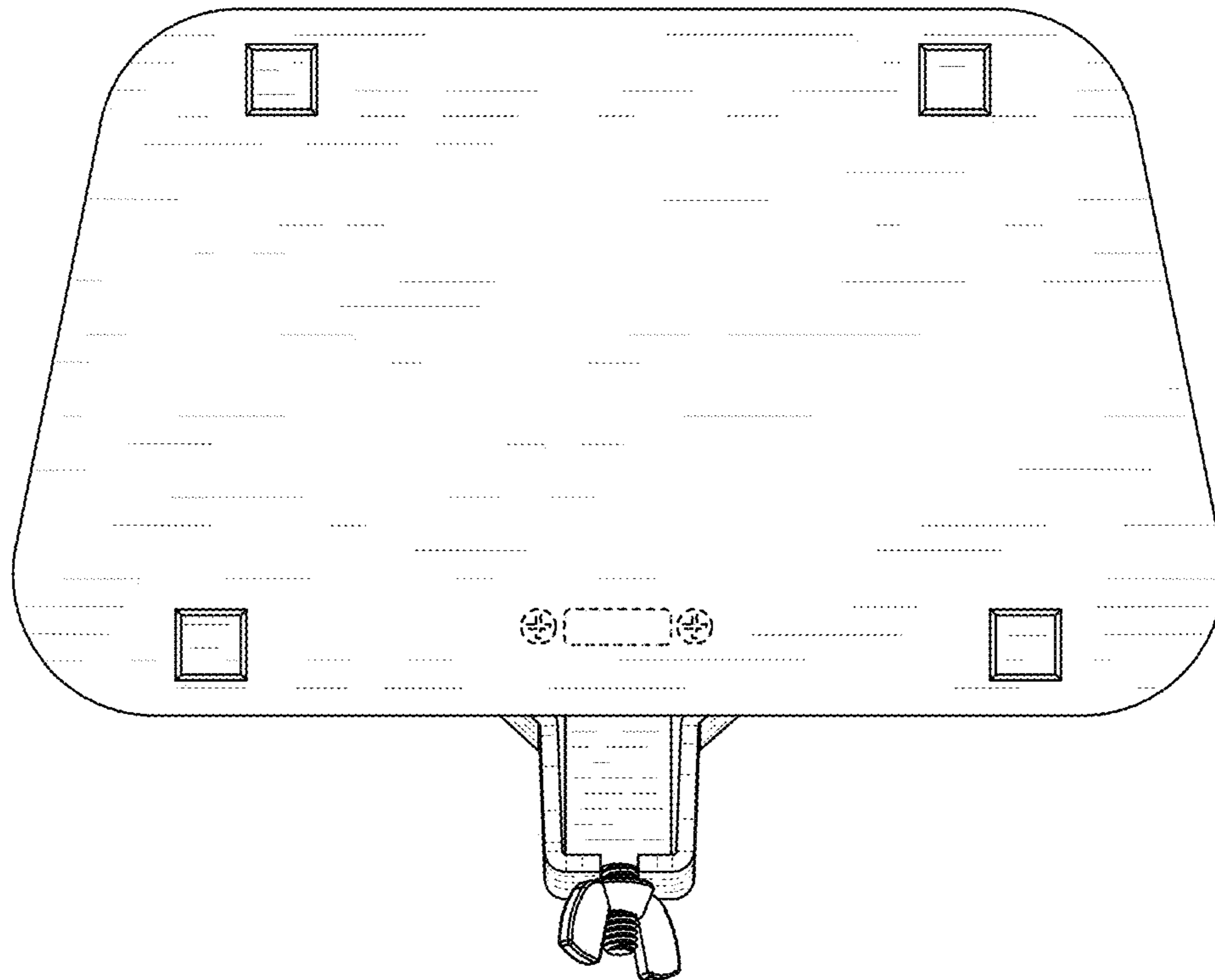


FIG. 7

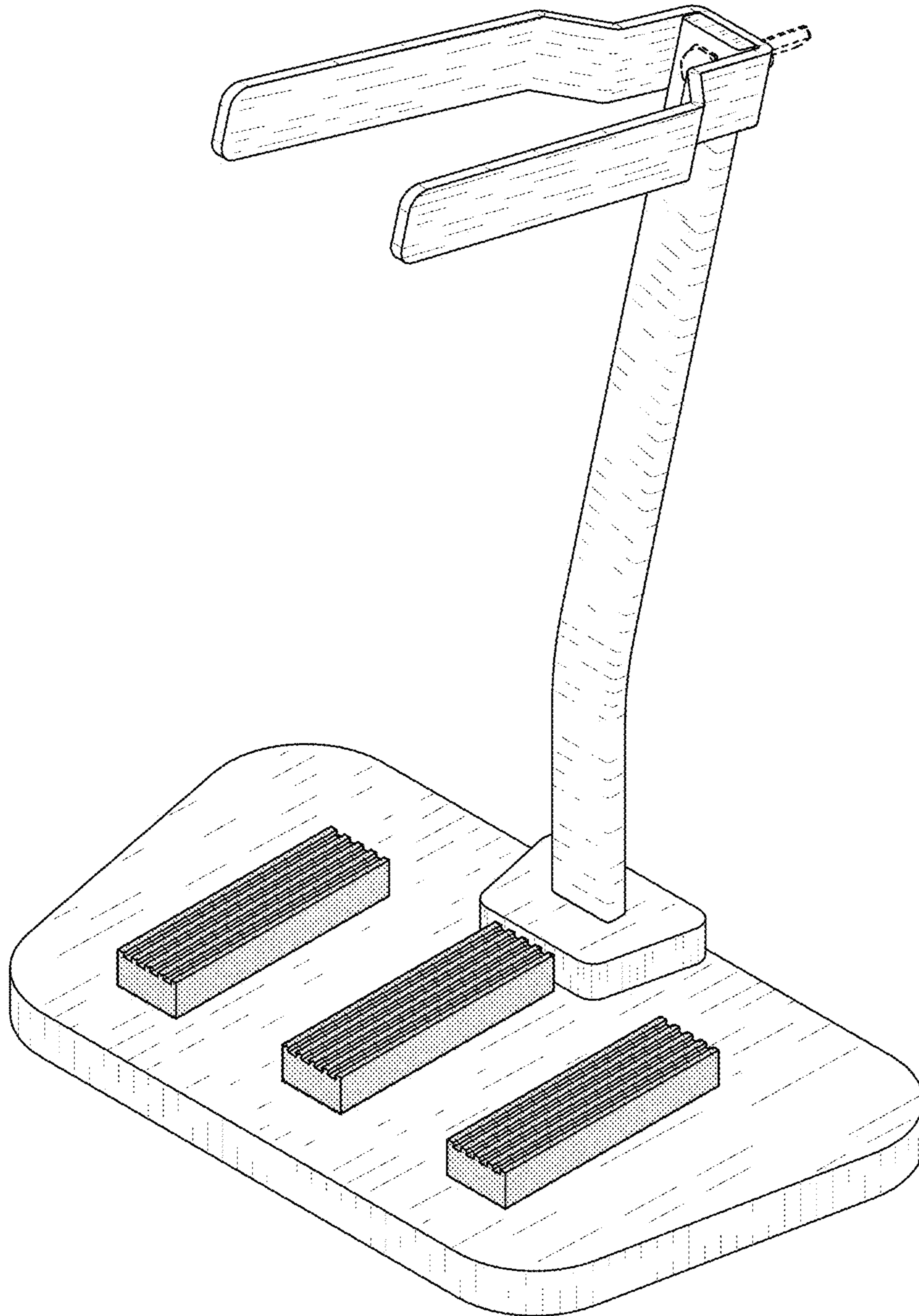


FIG. 8

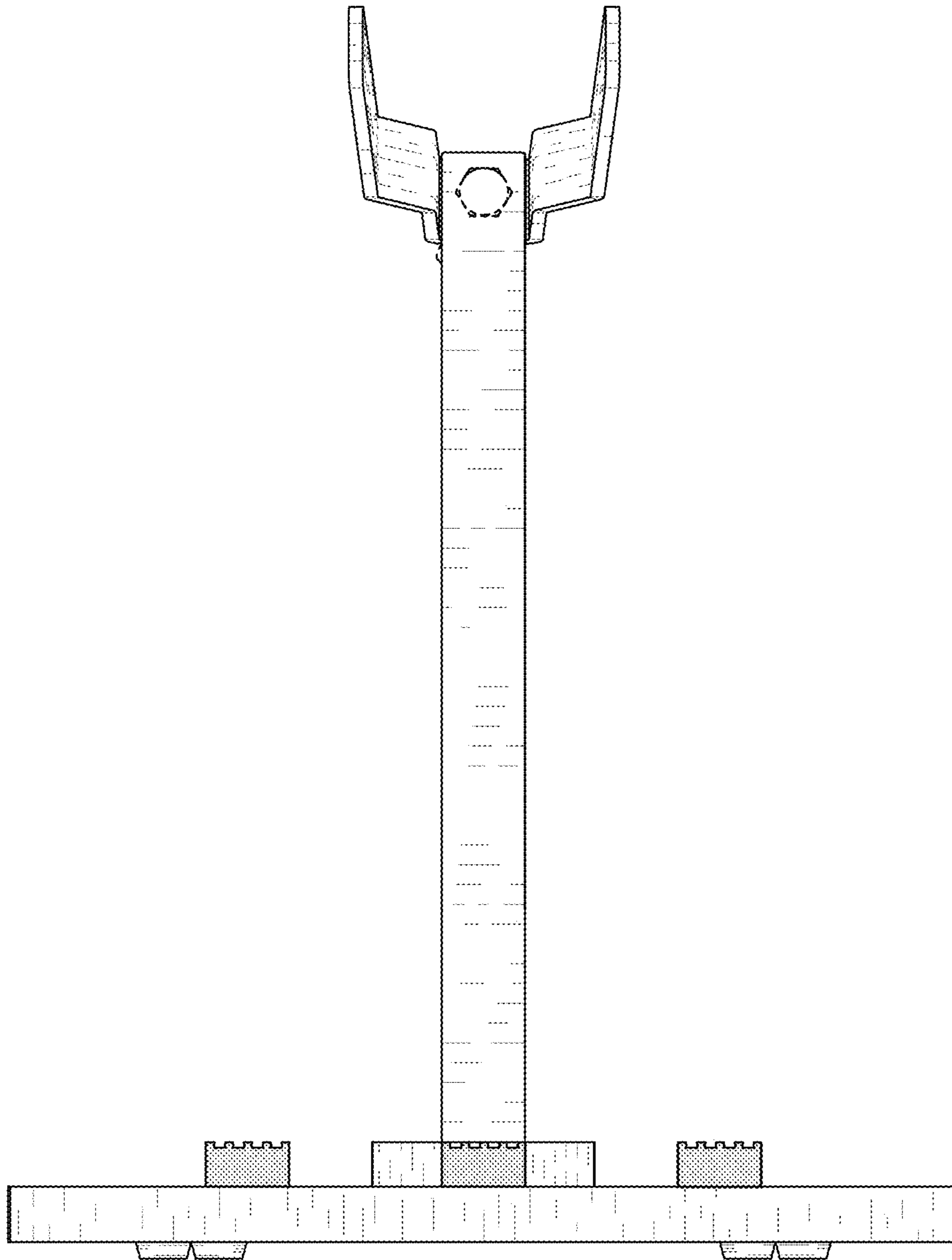


FIG. 9

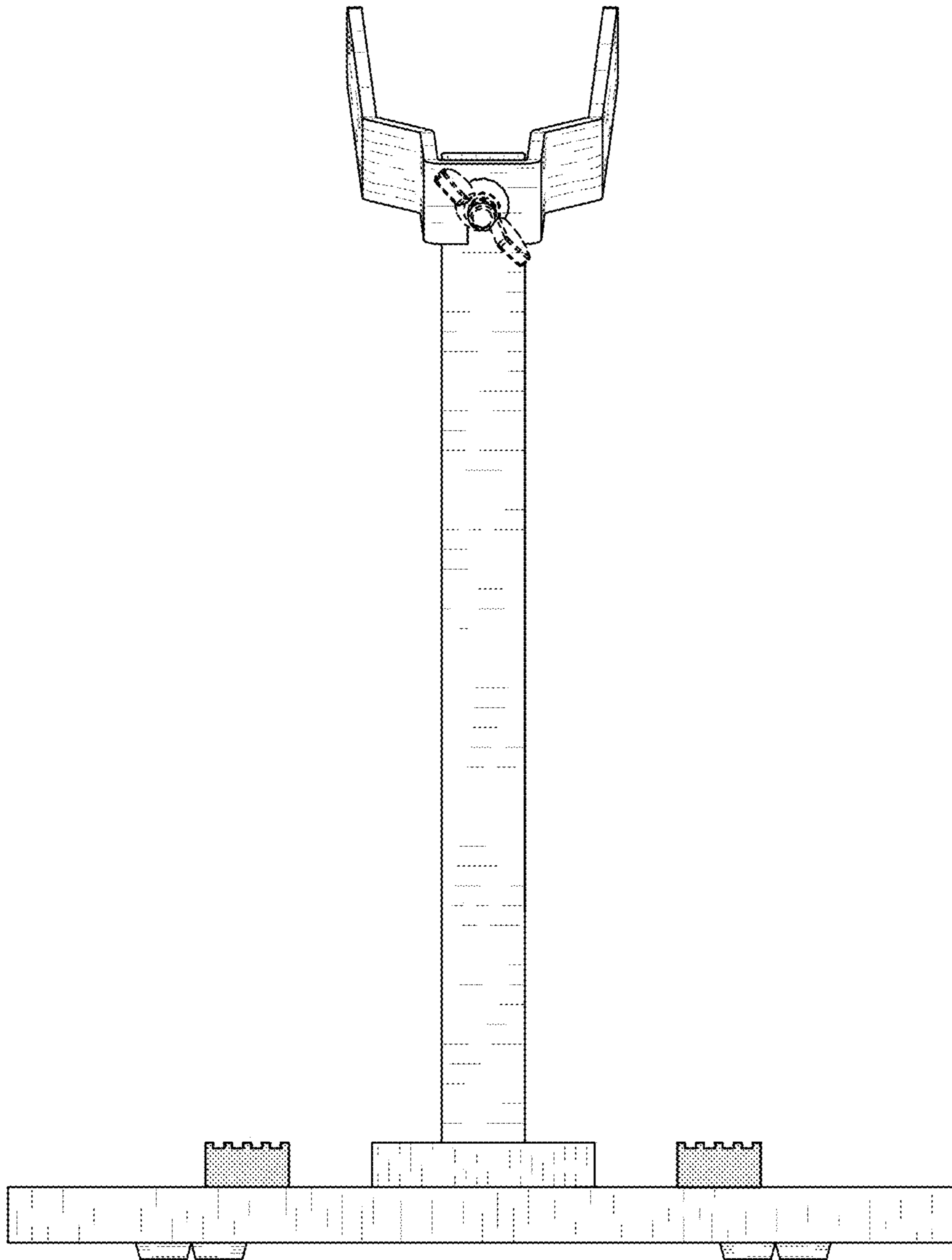


FIG. 10

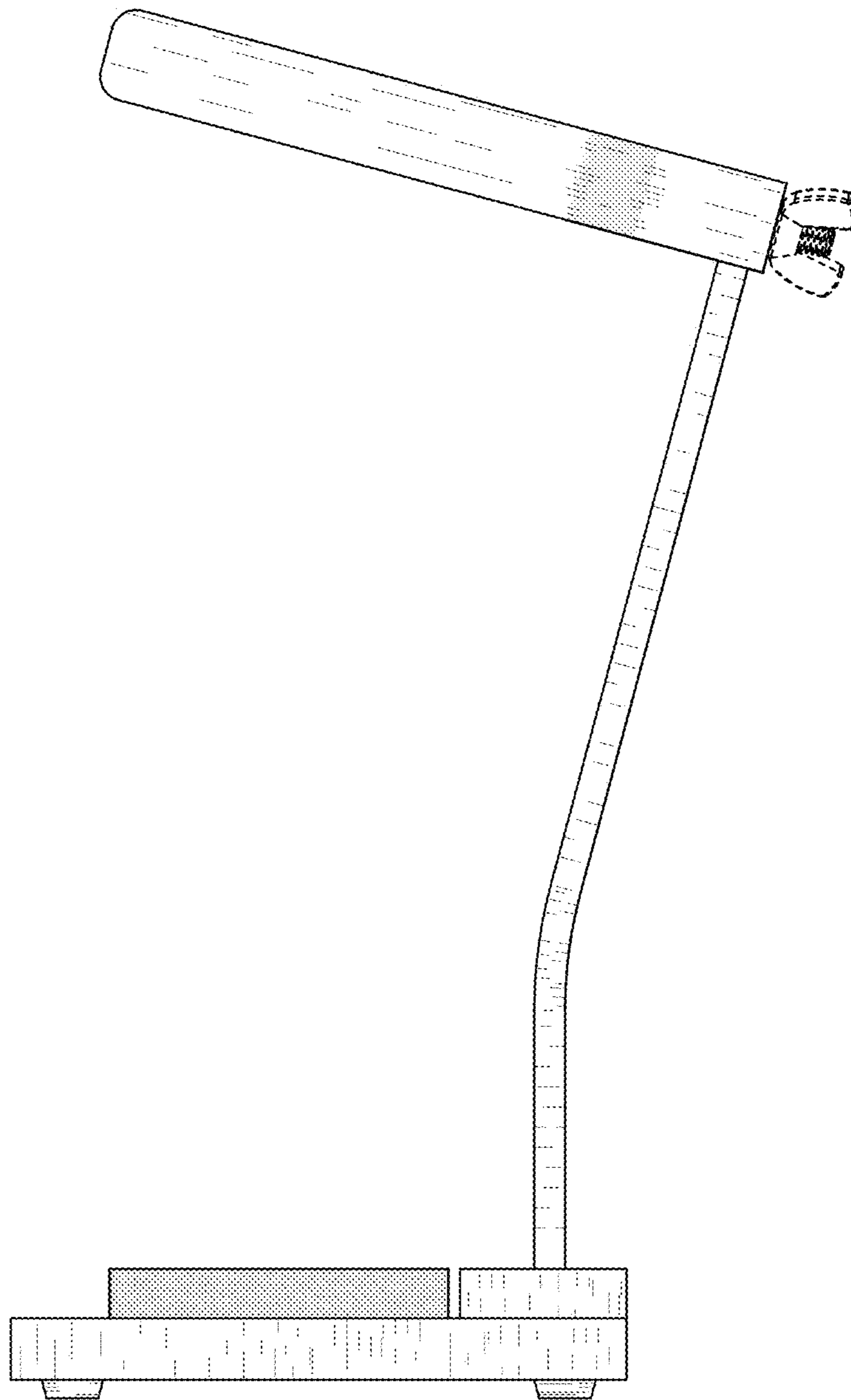


FIG. 11

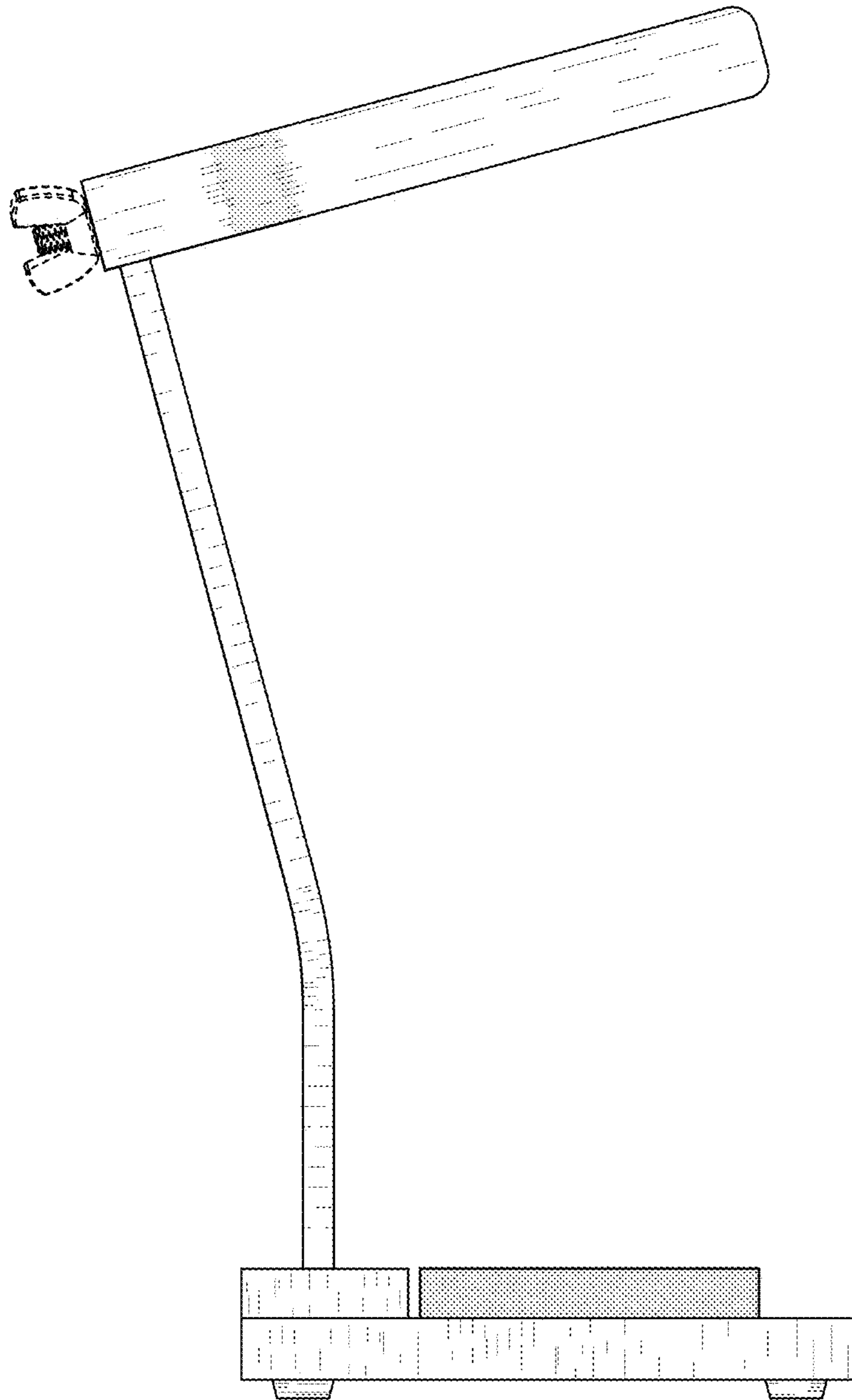


FIG. 12

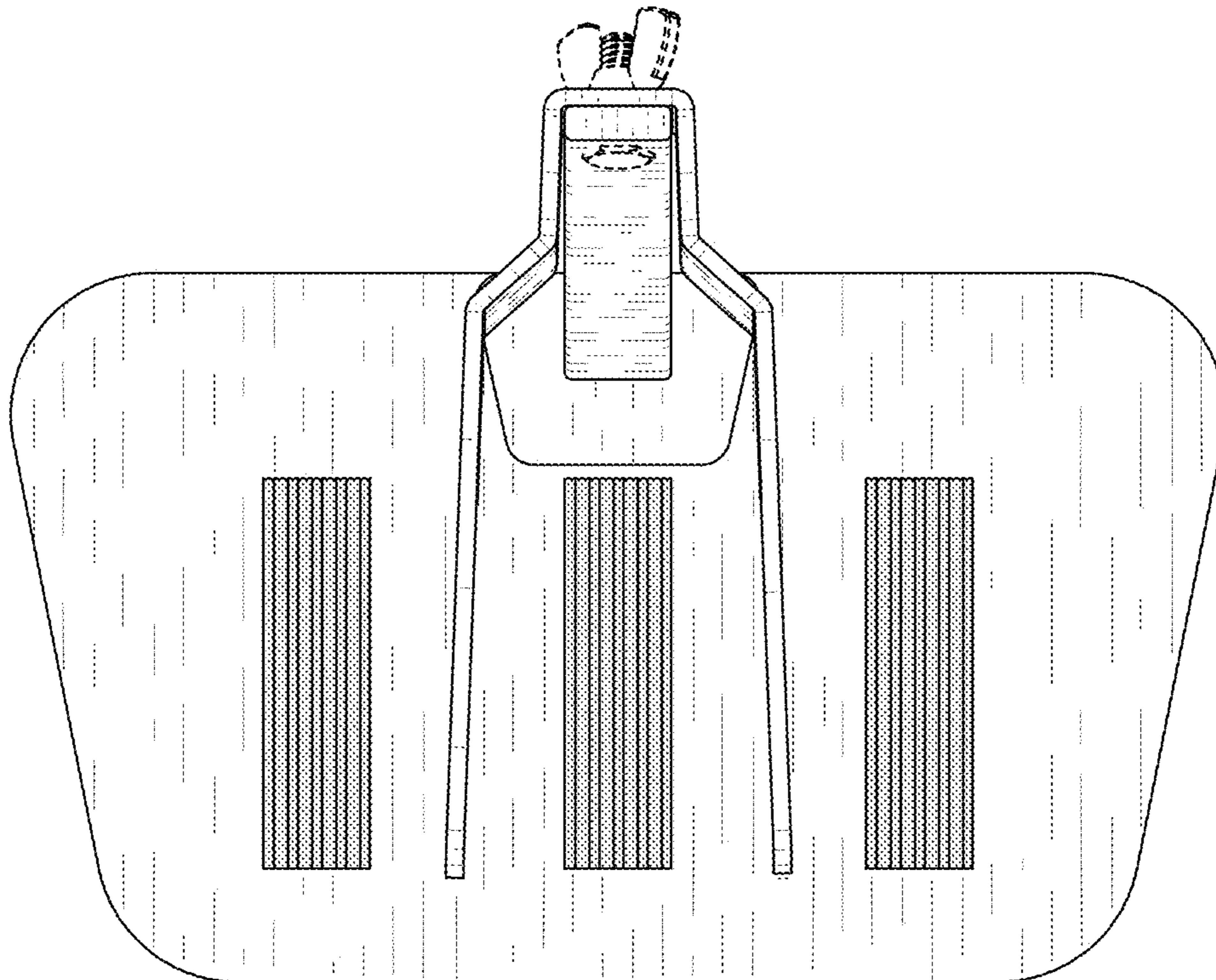


FIG. 13

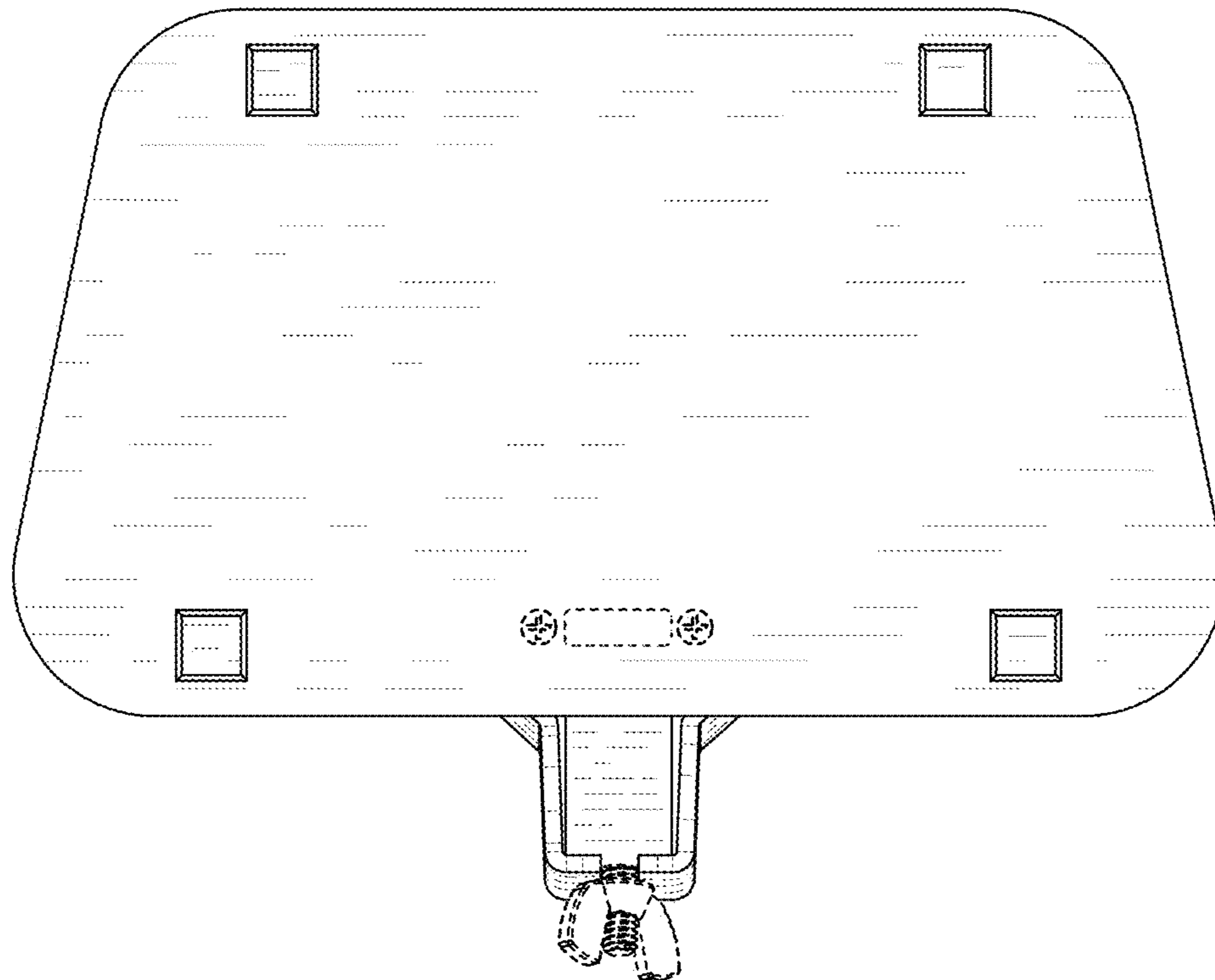


FIG. 14



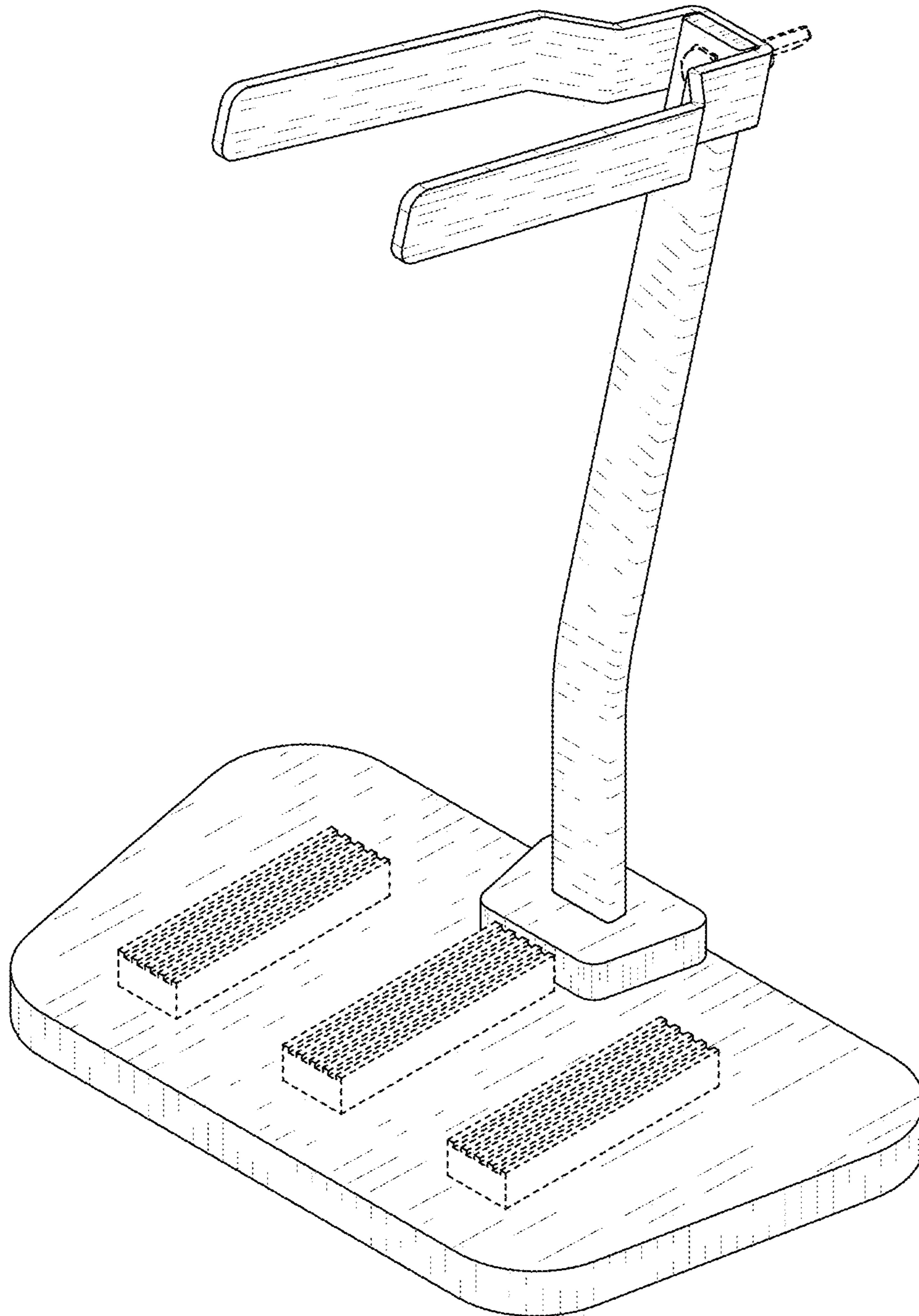


FIG. 15

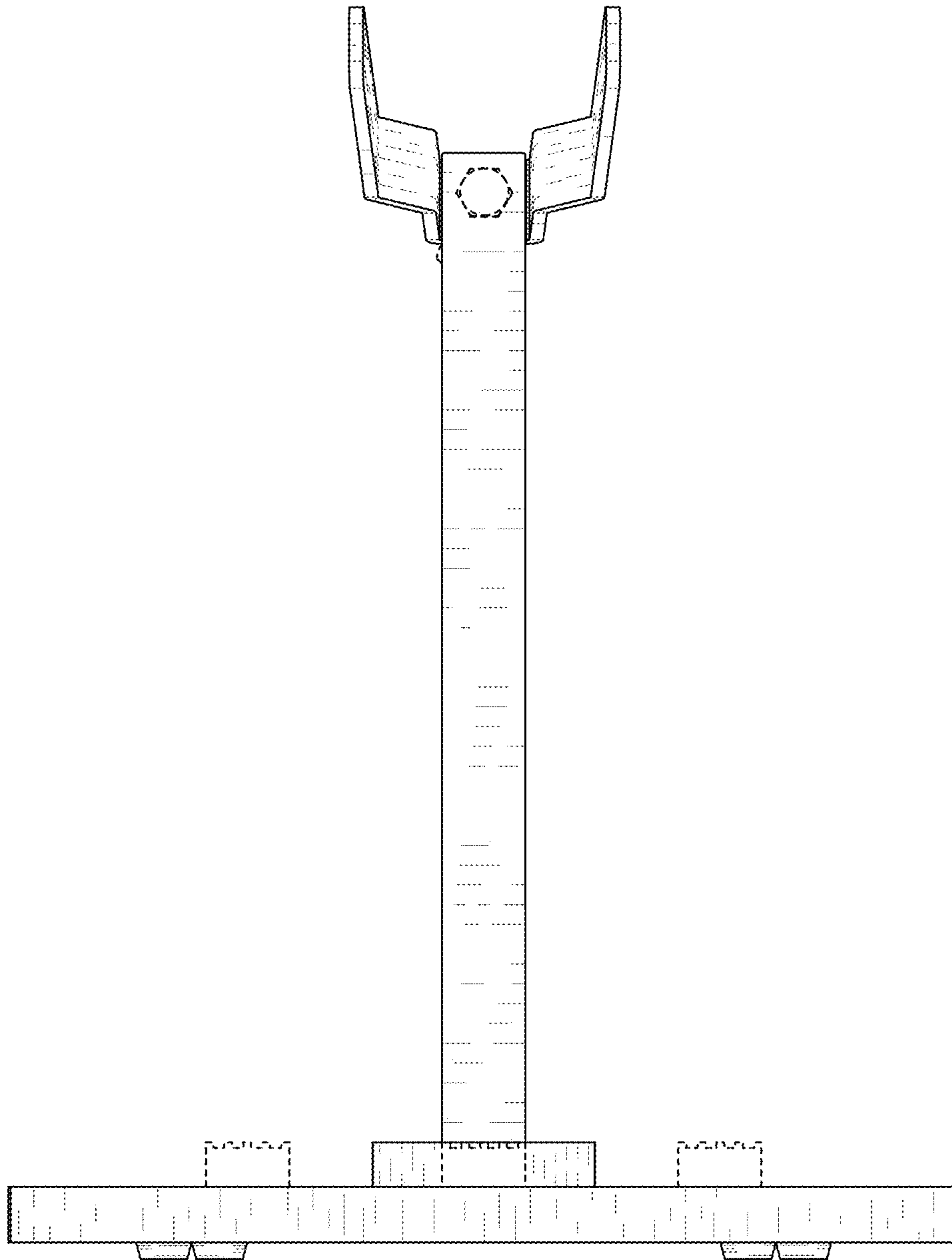


FIG. 16

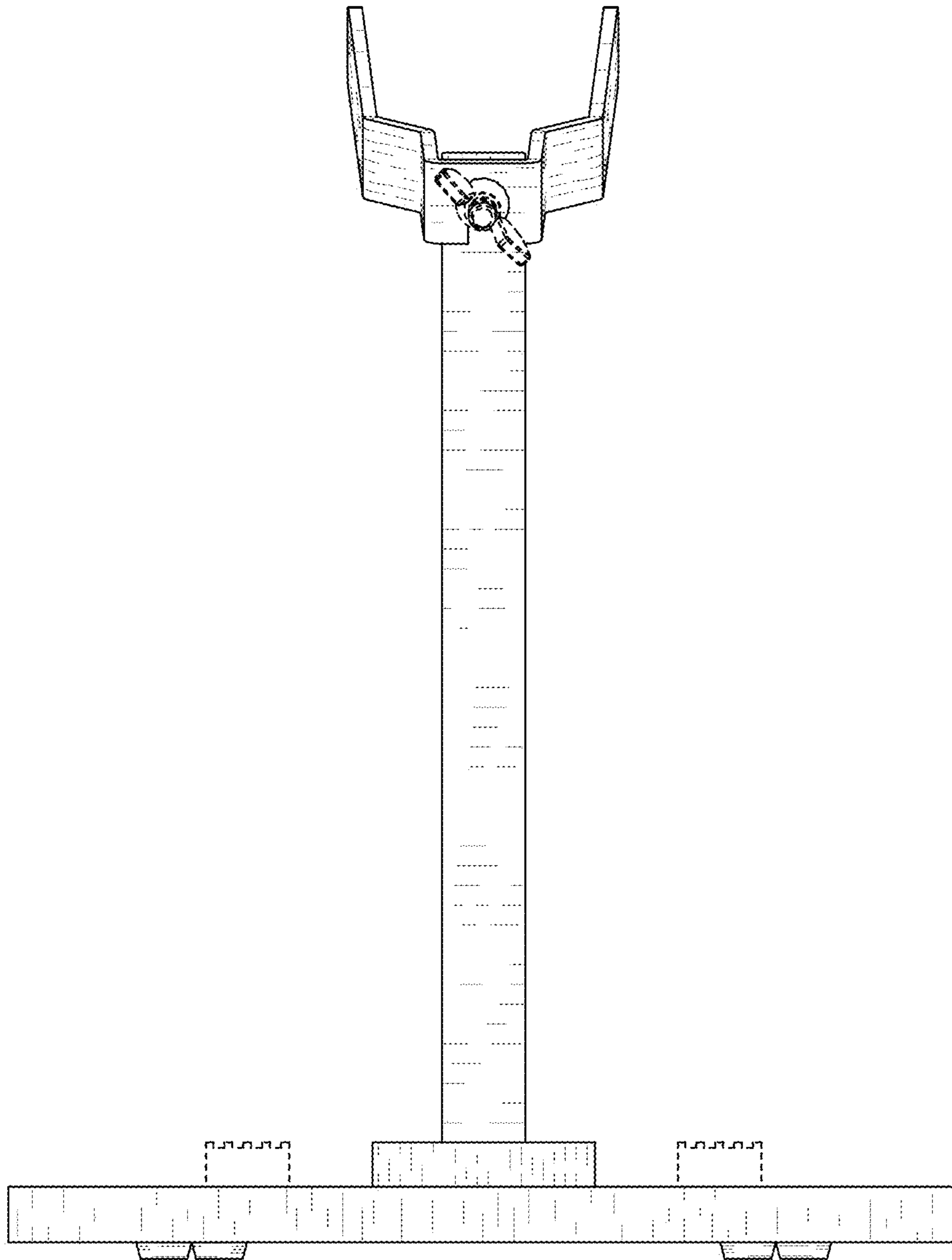


FIG. 17

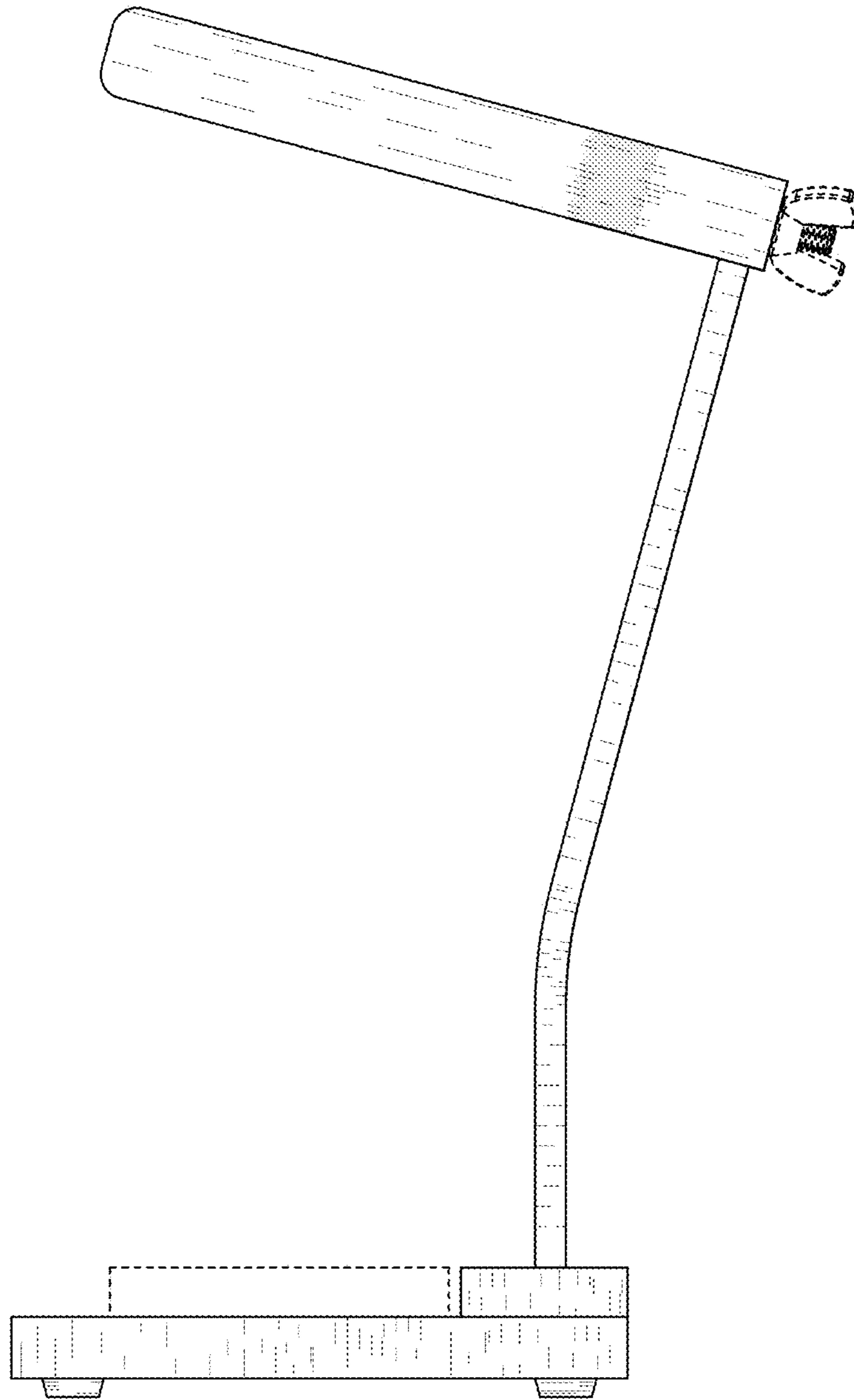


FIG. 18

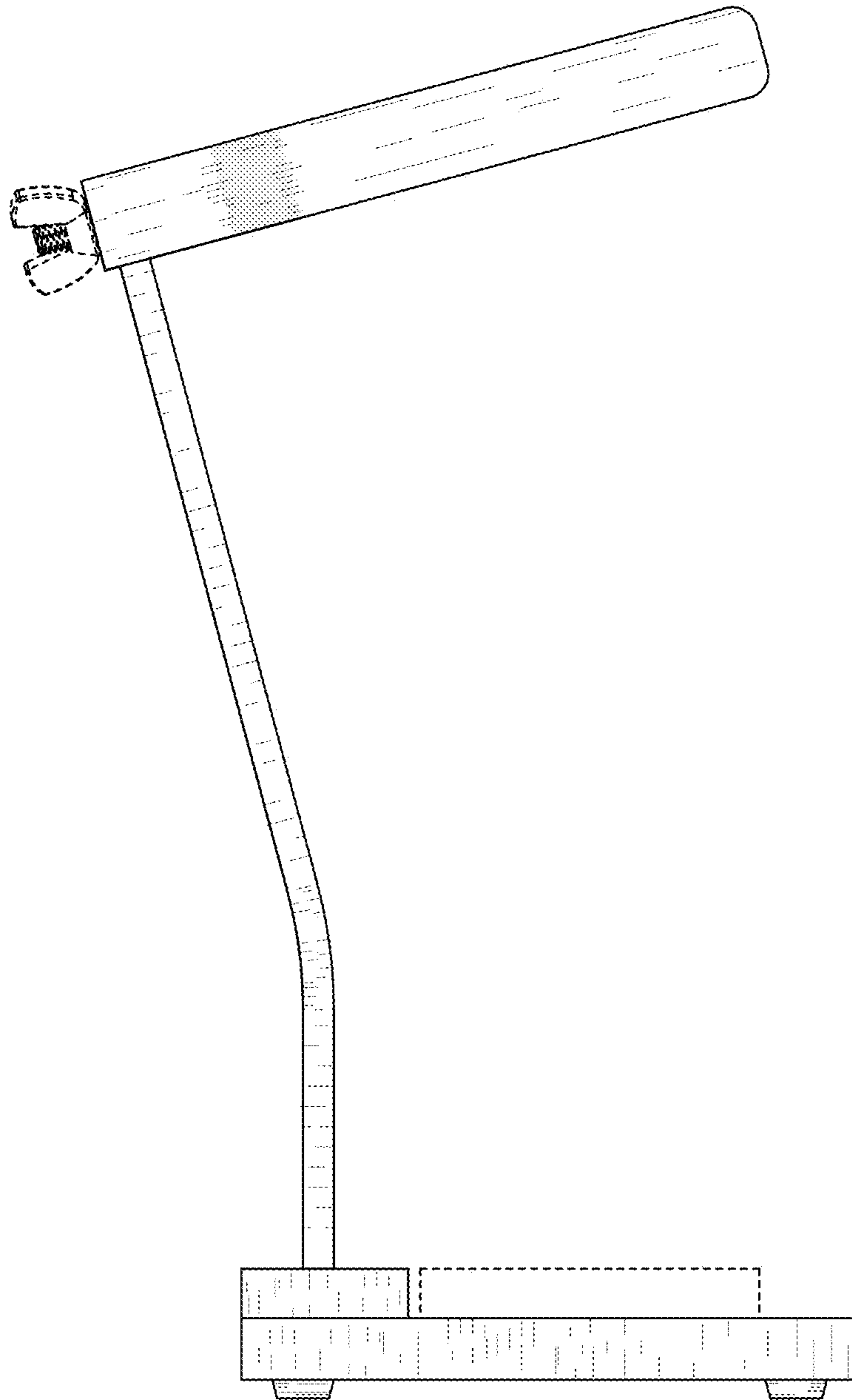


FIG. 19

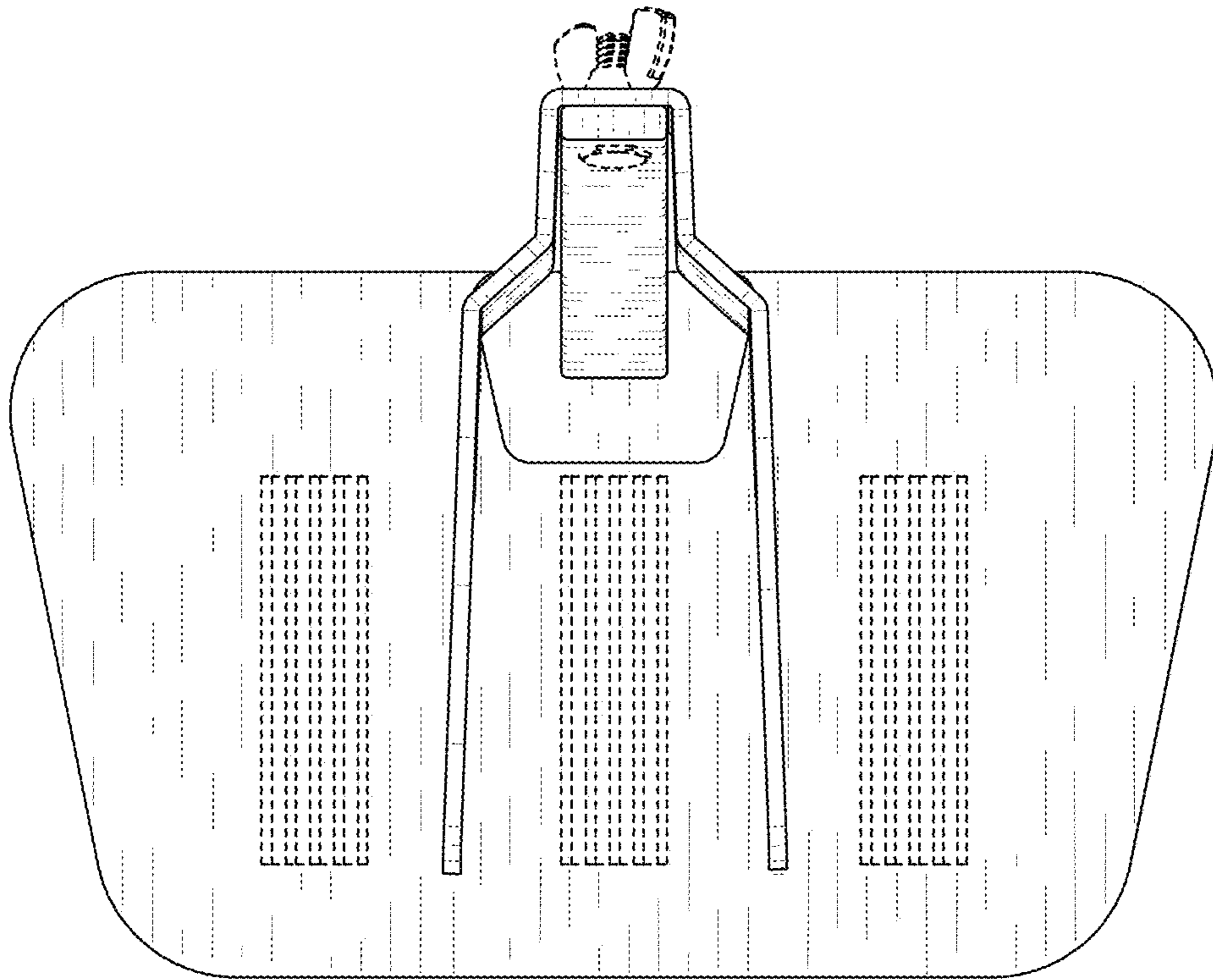


FIG. 20

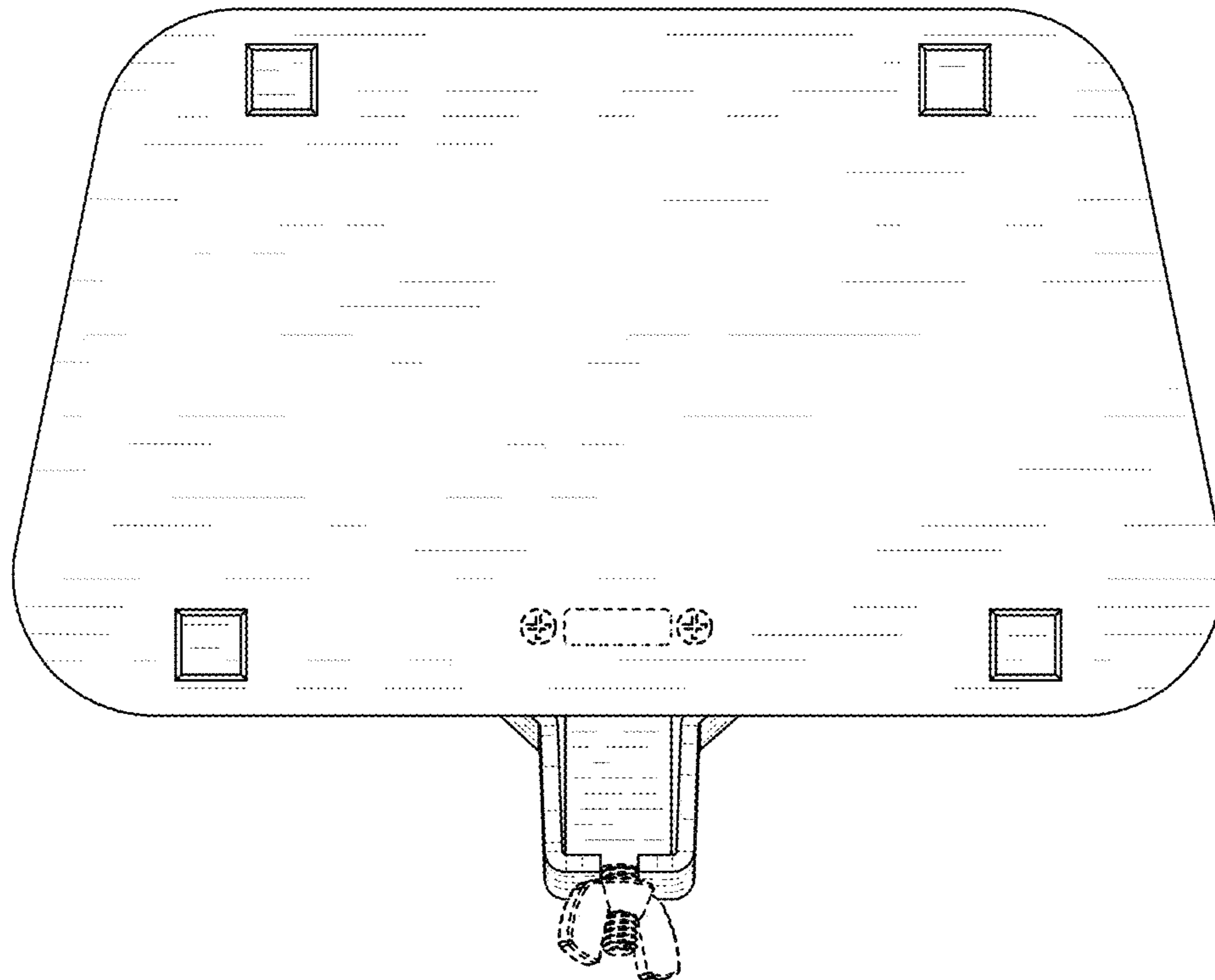


FIG. 21