



US00D945788S

(12) **United States Design Patent** (10) **Patent No.:** **US D945,788 S**
Chaffee et al. (45) **Date of Patent:** **** Mar. 15, 2022**

(54) **CLEANING TOOL CADDY**
(71) Applicant: **3M INNOVATIVE PROPERTIES COMPANY**, St. Paul, MN (US)
(72) Inventors: **Matthew D. Chaffee**, Minneapolis, MN (US); **Mark W. Baldwin**, Woobury, MN (US)
(73) Assignee: **3M Innovative Properties Company**, St. Paul, MN (US)

D603,220 S * 11/2009 Ghiorghie D7/509
7,669,715 B2 * 3/2010 Wang B65F 1/1607
206/581
D629,635 S * 12/2010 Raven D6/524
D689,299 S * 9/2013 Kassem Llano D6/524
D706,549 S * 6/2014 Cho D6/524
D717,066 S * 11/2014 Deacon D6/524
D720,156 S * 12/2014 Tronconi D6/551
D763,597 S * 8/2016 Citterio D6/525
D765,402 S * 9/2016 Libman D3/315
D771,406 S * 11/2016 Clough D6/542
D773,853 S * 12/2016 Deacon D6/551

(Continued)

(**) Term: **15 Years**

(21) Appl. No.: **29/704,589**

(22) Filed: **Sep. 5, 2019**

(51) **LOC (13) Cl.** **07-99**

(52) **U.S. Cl.**
USPC **D6/551**

(58) **Field of Classification Search**
USPC D3/315; D4/116; D6/524, 525, 526,
D6/542, 551; D7/523; D28/52;
D30/162; D32/40
CPC A47K 5/1215; A47K 5/1217; A47K 5/14;
A47K 11/10; B65F 1/1607
See application file for complete search history.

(56) **References Cited**

U.S. PATENT DOCUMENTS

D207,099 S * 3/1967 Johnson D6/524
D264,782 S * 6/1982 Thompson D6/524
D290,798 S * 7/1987 Zuliani D4/116
D315,989 S * 4/1991 Levien D32/40
D329,775 S * 9/1992 Murphy D6/551
D429,853 S * 8/2000 Hammond D30/162
D482,919 S * 12/2003 Armstrong D6/551
D491,404 S * 6/2004 Dotterman D6/524
D493,994 S * 8/2004 Belt D6/551
D499,593 S * 12/2004 Berti D6/551
6,902,056 B2 * 6/2005 Dotterman A47K 11/10
206/361
D551,480 S * 9/2007 Dretzka D6/551

OTHER PUBLICATIONS

Plastic brush with caddy <https://www.quill.com/quickie-plastic-toilet-brush-caddy-multicolor-2055463/cbs/51044987.html> (Year: 2016).*

(Continued)

Primary Examiner — Michelle E. Wilson
Assistant Examiner — Richard E. Yenchesky

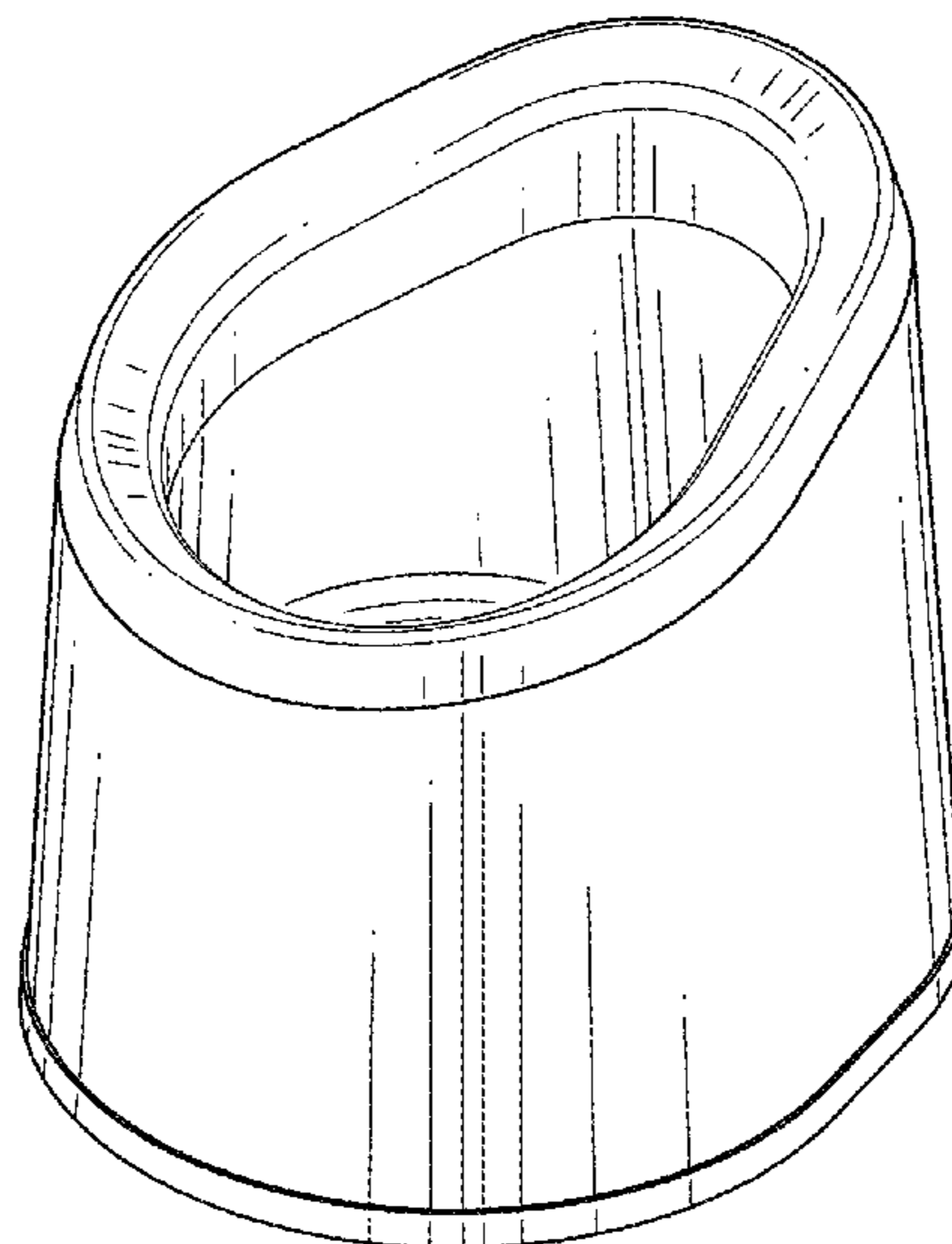
(57) **CLAIM**

The ornamental design for an cleaning tool caddy, as shown and described.

DESCRIPTION

FIG. 1 is a perspective view showing the new design for an cleaning tool caddy;
FIG. 2 is a front view thereof;
FIG. 3 is a right side view thereof;
FIG. 4 is a rear view thereof;
FIG. 5 is a top view thereof; and,
FIG. 6 is a bottom view thereof.
The portions of the cleaning tool caddy in FIG. 6 shown in broken lines are included to show features that form no part of the claimed design.

1 Claim, 3 Drawing Sheets



(56)

References Cited

U.S. PATENT DOCUMENTS

9,763,546 B2 * 9/2017 Yang A47K 5/1217
D824,214 S * 7/2018 Albers D7/523
10,076,216 B2 * 9/2018 Yang A47K 5/14
D829,465 S * 10/2018 Yang D6/542
D851,956 S * 6/2019 Omori D6/551
D878,084 S * 3/2020 McGarry D6/525
D878,085 S * 3/2020 Werner D6/526
10,806,305 B2 * 10/2020 Yang A47K 5/1215
D908,963 S * 1/2021 Lambrecht D28/52
D917,197 S * 4/2021 Kwak D6/524

OTHER PUBLICATIONS

Toilet Brush Holder <https://www.staples.ca/products/962604-en-toilet-brush-holder> (Year: 2021).*

* cited by examiner

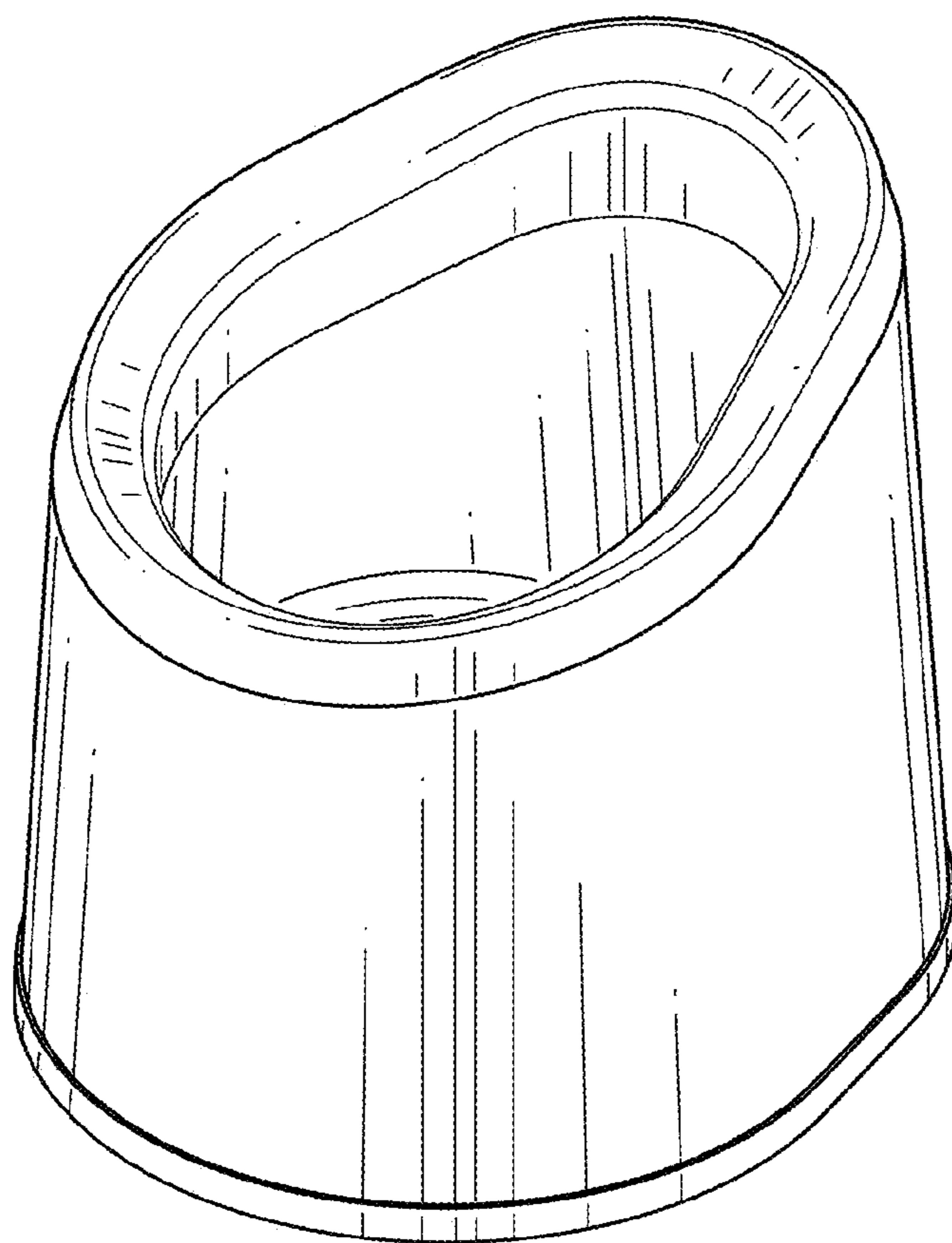


FIG. 1

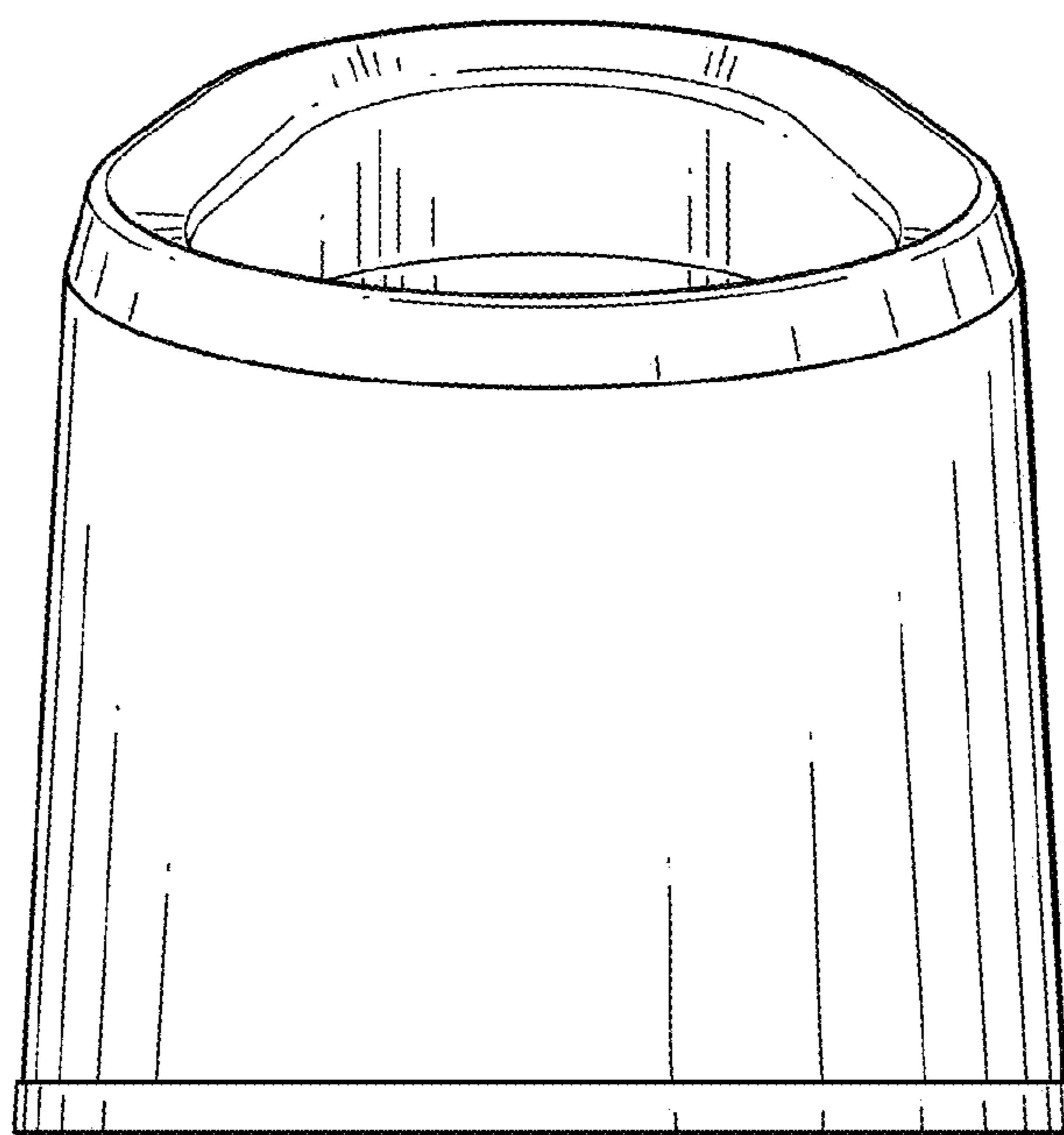


FIG. 2

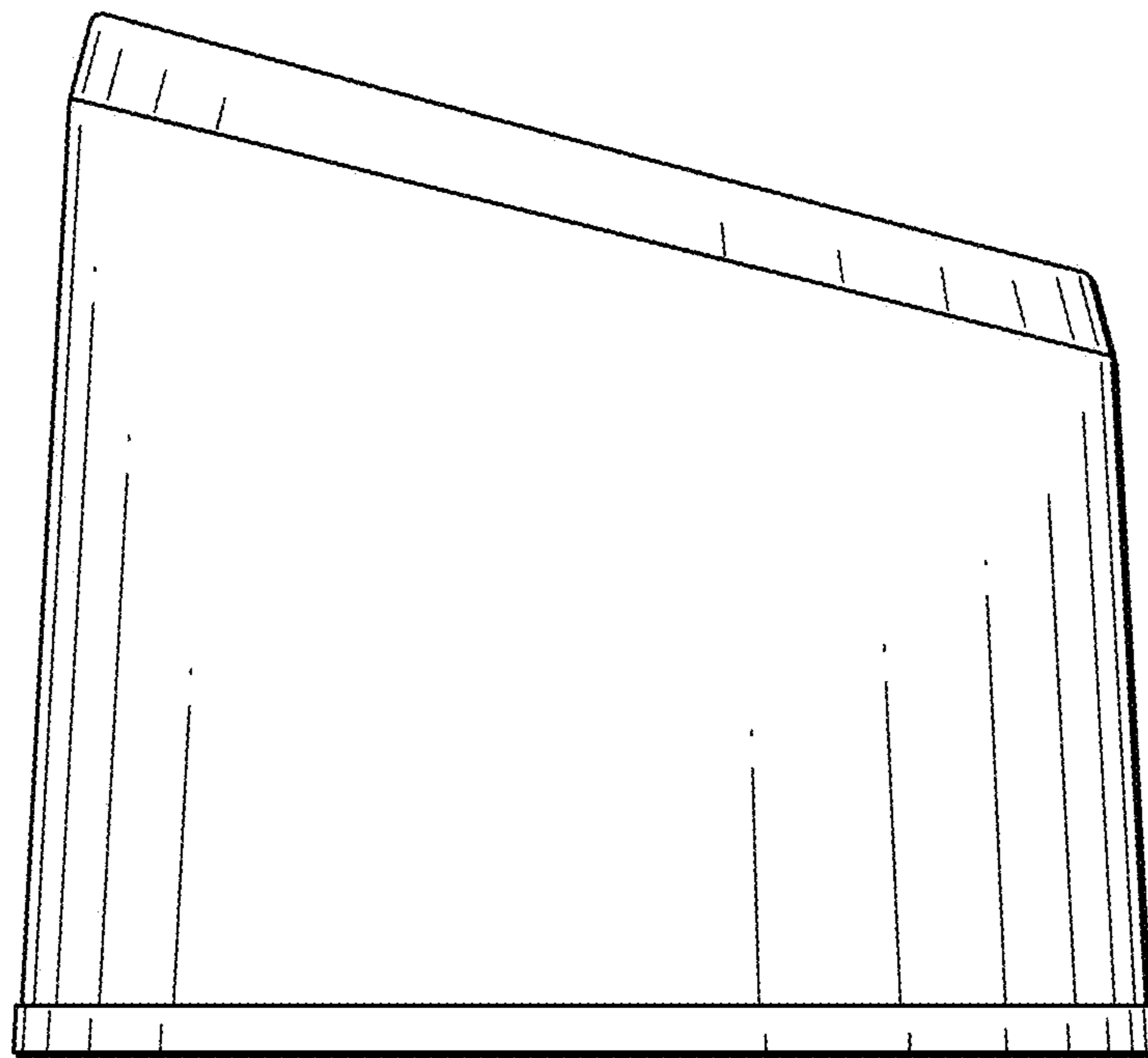


FIG. 3

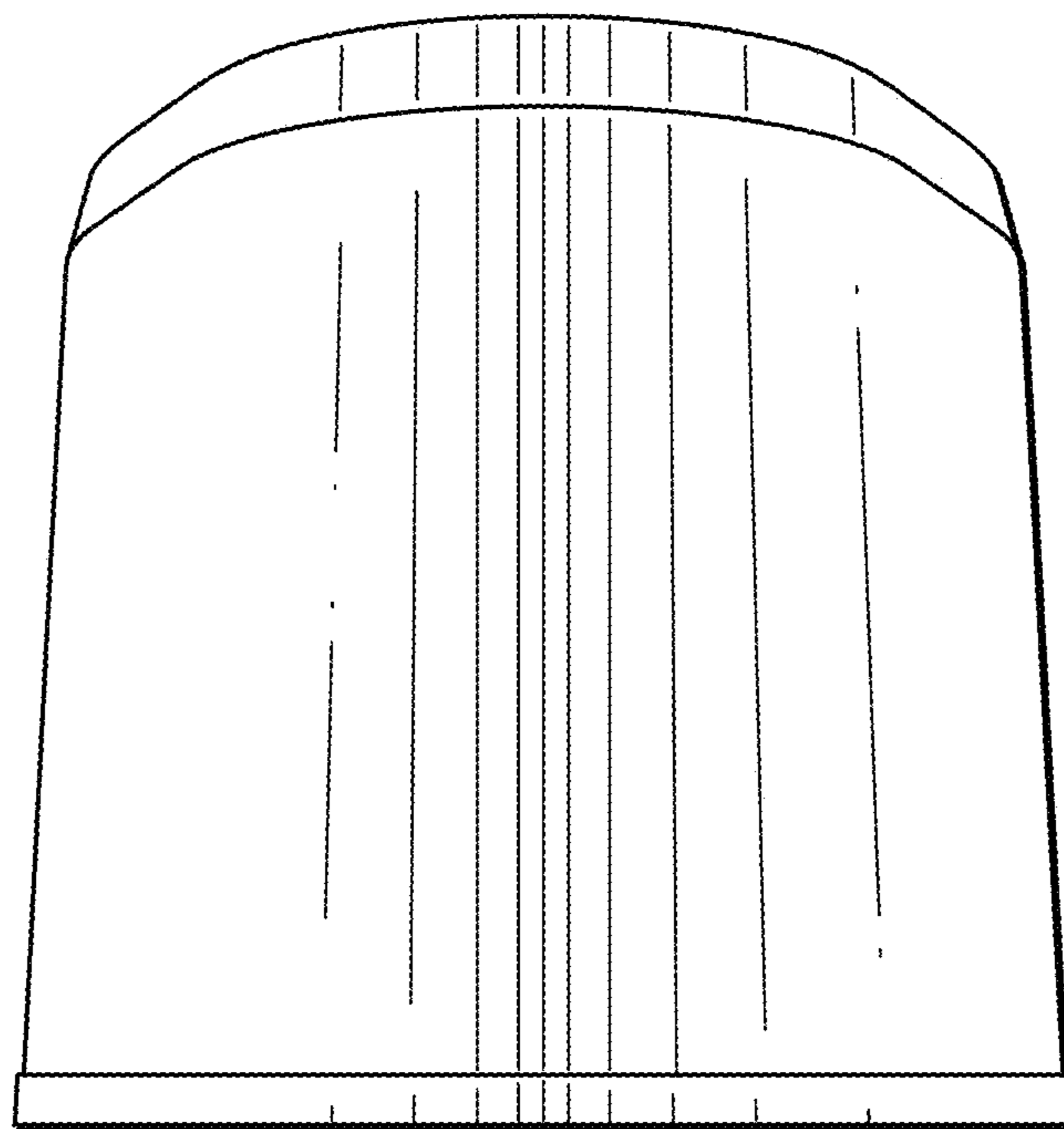


FIG. 4

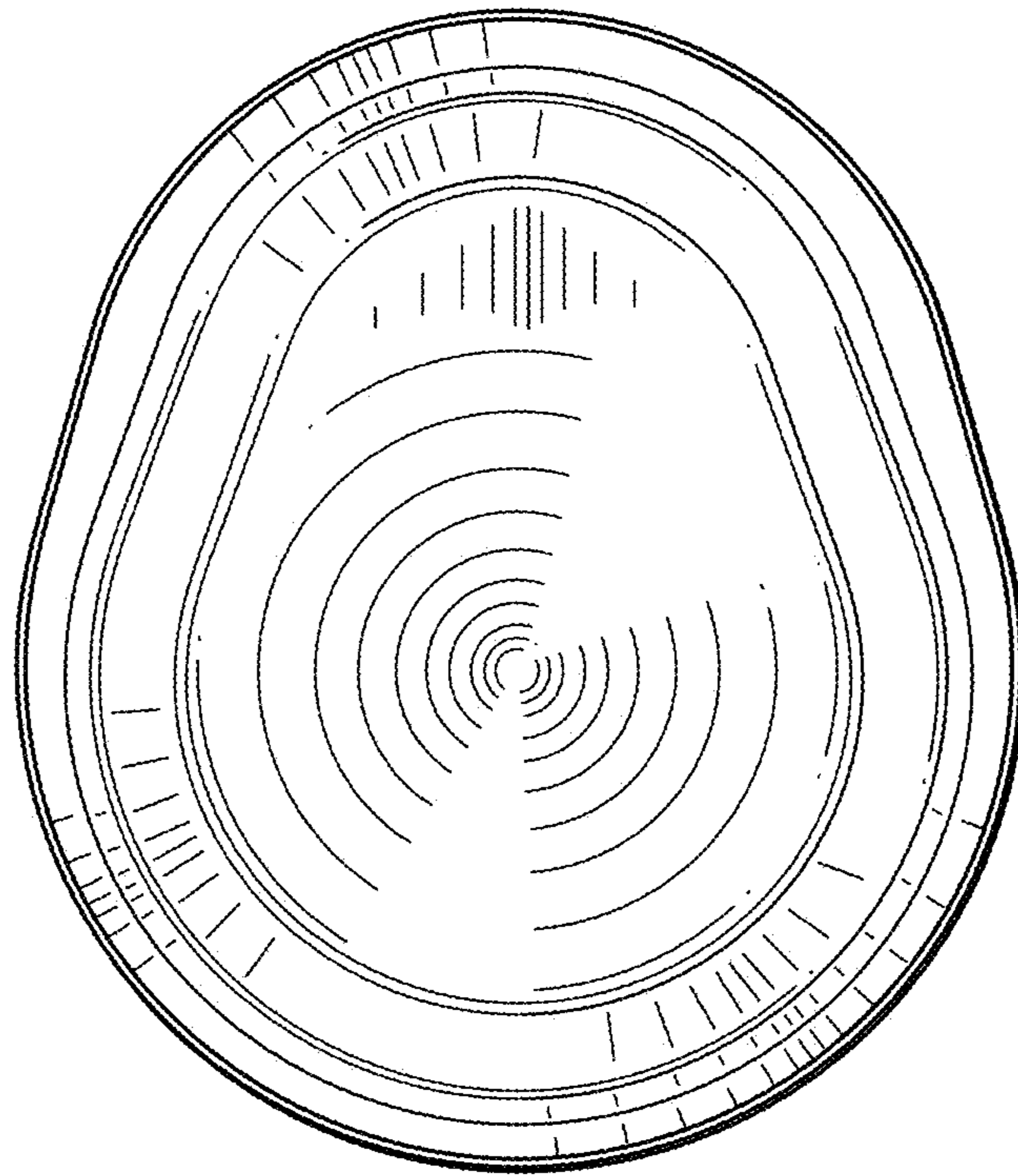


FIG. 5

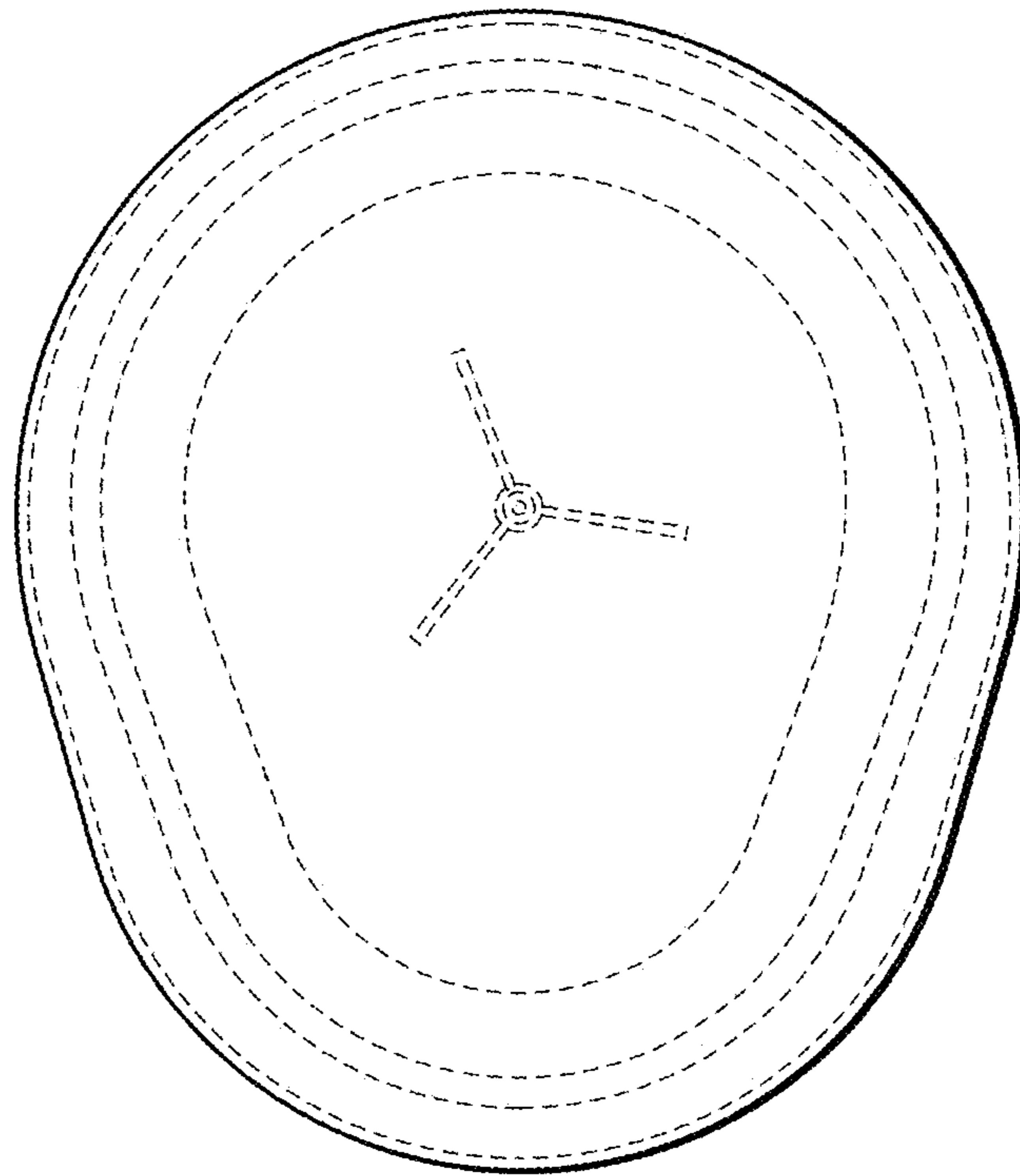


FIG. 6