



US00D945787S

(12) **United States Design Patent**
Murphy et al.

(10) **Patent No.:** **US D945,787 S**

(45) **Date of Patent:** **** *Mar. 15, 2022**

- (54) **COT**
- (71) Applicant: **SHNUGGLE LTD.**, Newtownards Down (GB)
- (72) Inventors: **Adam Murphy**, Newtownards Down (GB); **Fiona Bennington**, Newtownards (GB)
- (73) Assignee: **Shnuggle, Ltd.**, Newtownards Down (GB)
- (*) Notice: This patent is subject to a terminal disclaimer.
- (**) Term: **15 Years**
- (21) Appl. No.: **29/679,932**
- (22) Filed: **Feb. 12, 2019**
- (51) **LOC (13) Cl.** **06-02**
- (52) **U.S. Cl.**
USPC **D6/390**
- (58) **Field of Classification Search**
USPC D6/331, 390, 391, 718.26
CPC A47D 7/00; A47D 7/002; A47D 7/005; A47D 7/01; A47D 7/02; A47D 7/03; A47D 9/00; A47D 9/005; A47D 13/06; A47D 13/061; A47D 13/063; A47D 13/066; A47D 13/068
See application file for complete search history.

- 5,490,292 A 2/1996 Auburn
- D566,998 S * 4/2008 Troutman D6/331
- D616,216 S * 5/2010 Dumais D6/390
- D616,665 S * 6/2010 Dumais D6/390
- D744,253 S 12/2015 Lah
- D804,217 S * 12/2017 Festa D6/391
- 9,986,849 B2 * 6/2018 Sclare A47D 9/00
- D880,186 S * 4/2020 Rodgers D6/390
- 2004/0025251 A1 2/2004 Arthur
- 2017/0251827 A1 * 9/2017 Gallina A47D 9/00

* cited by examiner

Primary Examiner — Michael C Stout
Assistant Examiner — Katelin G Kloberg

(74) *Attorney, Agent, or Firm* — Kanika Radhakrishnan; Evergreen Valley Law Group

(57) **CLAIM**

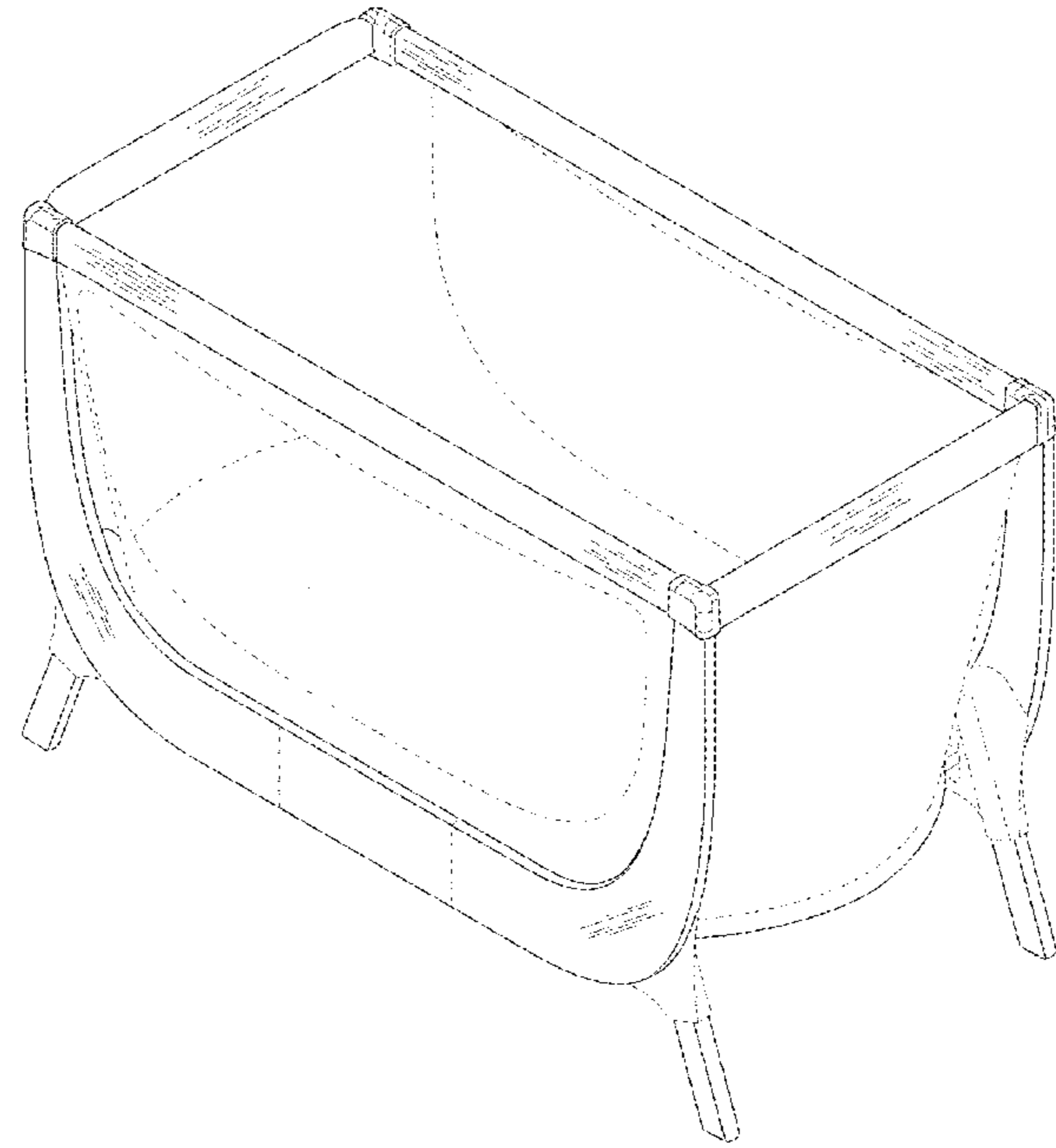
The ornamental design for a cot, as shown and described.

DESCRIPTION

FIG. 1 illustrates a top perspective view of a cot according to the present invention;
 FIG. 2 shows a front view of the cot, including removable top rail, according to the present invention, the front view and a back view of the cot are identical;
 FIG. 3 shows a right side view of the cot, including removable top rail, according to the present invention, the right side view and a left side view of the cot are identical;
 FIG. 4 depicts a top view of the cot according to the present invention;
 FIG. 5 shows a bottom view of the cot according to the present invention; and,
 FIG. 6 illustrates a bottom perspective view of the cot according to the present invention.
 The broken lines in the drawings illustrated portions of the cot that form no part of the claimed design.

1 Claim, 6 Drawing Sheets

- (56) **References Cited**
U.S. PATENT DOCUMENTS
- 2,964,762 A * 12/1960 Reynolds A47D 9/04
5/109
- D244,815 S 6/1977 Snow
- D274,679 S 7/1984 Stehlik



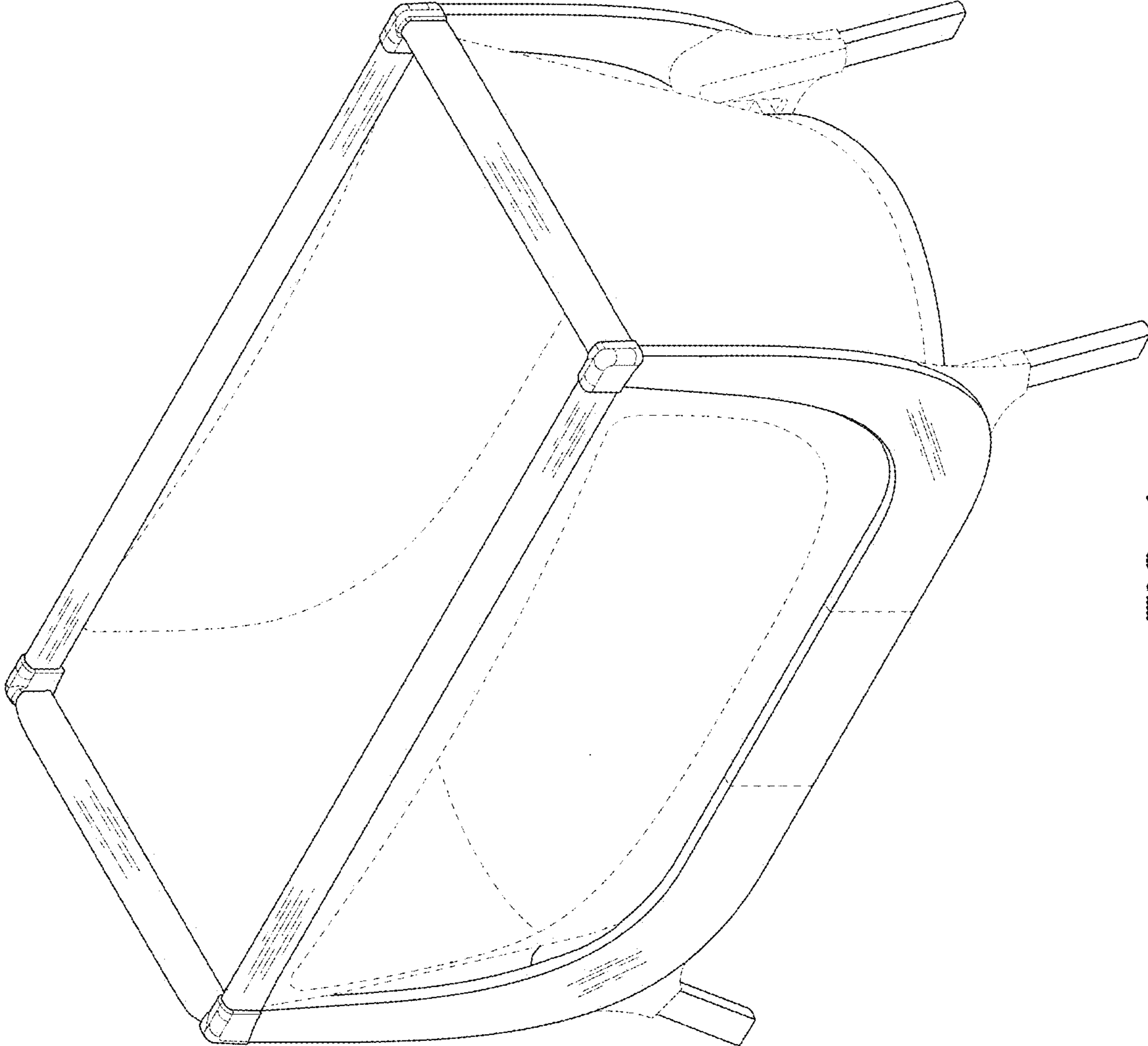


FIG. 1

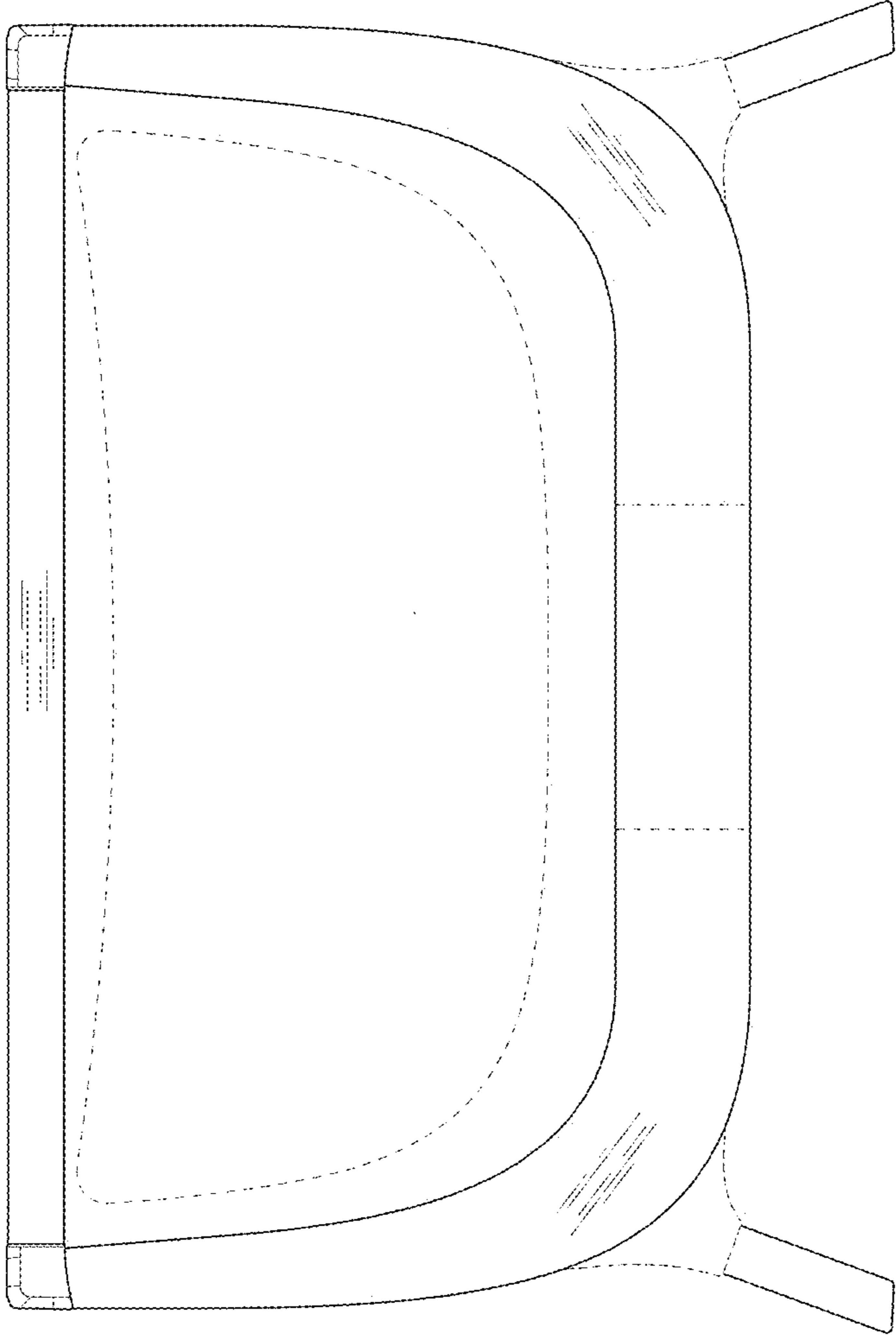


FIG. 2

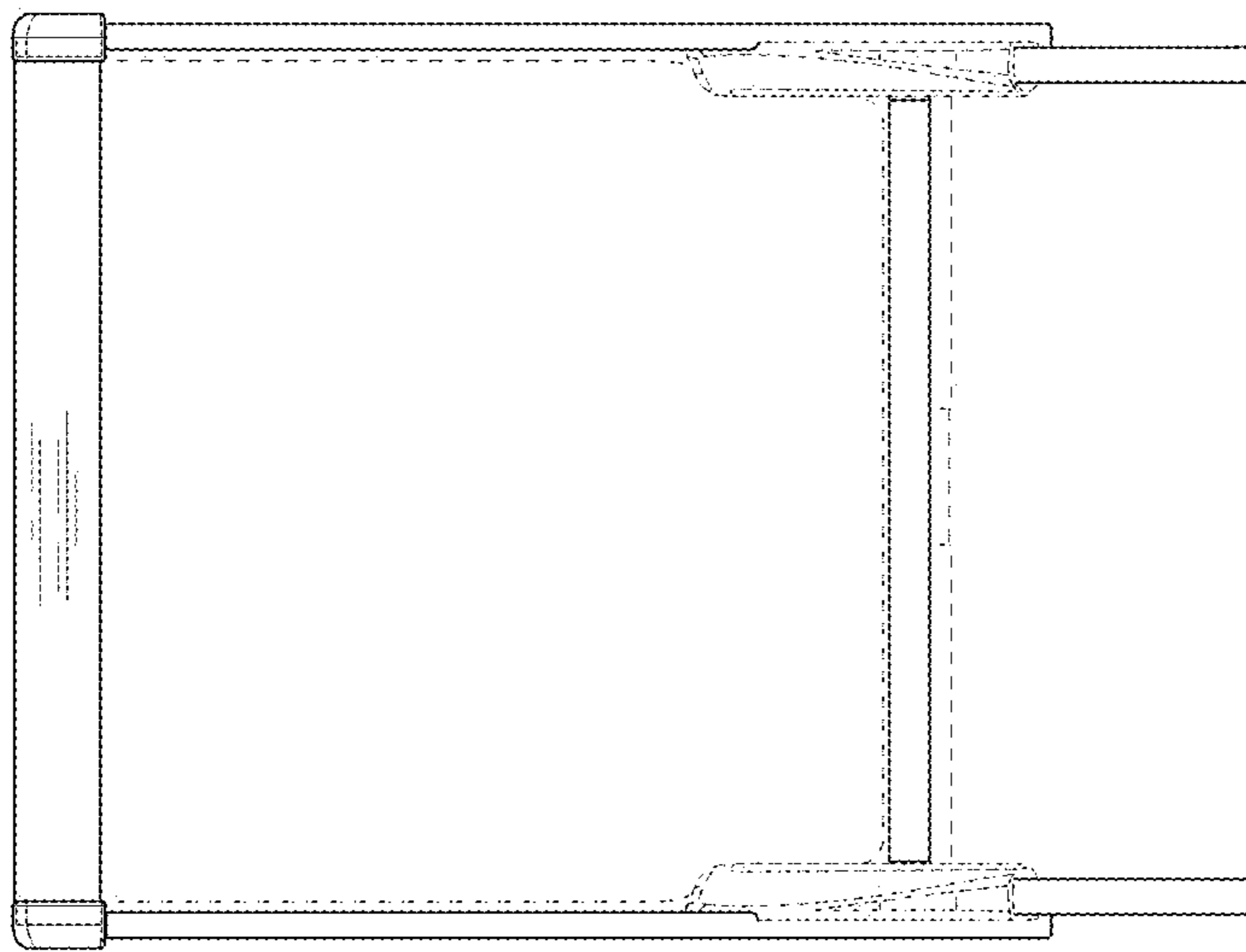


FIG. 3

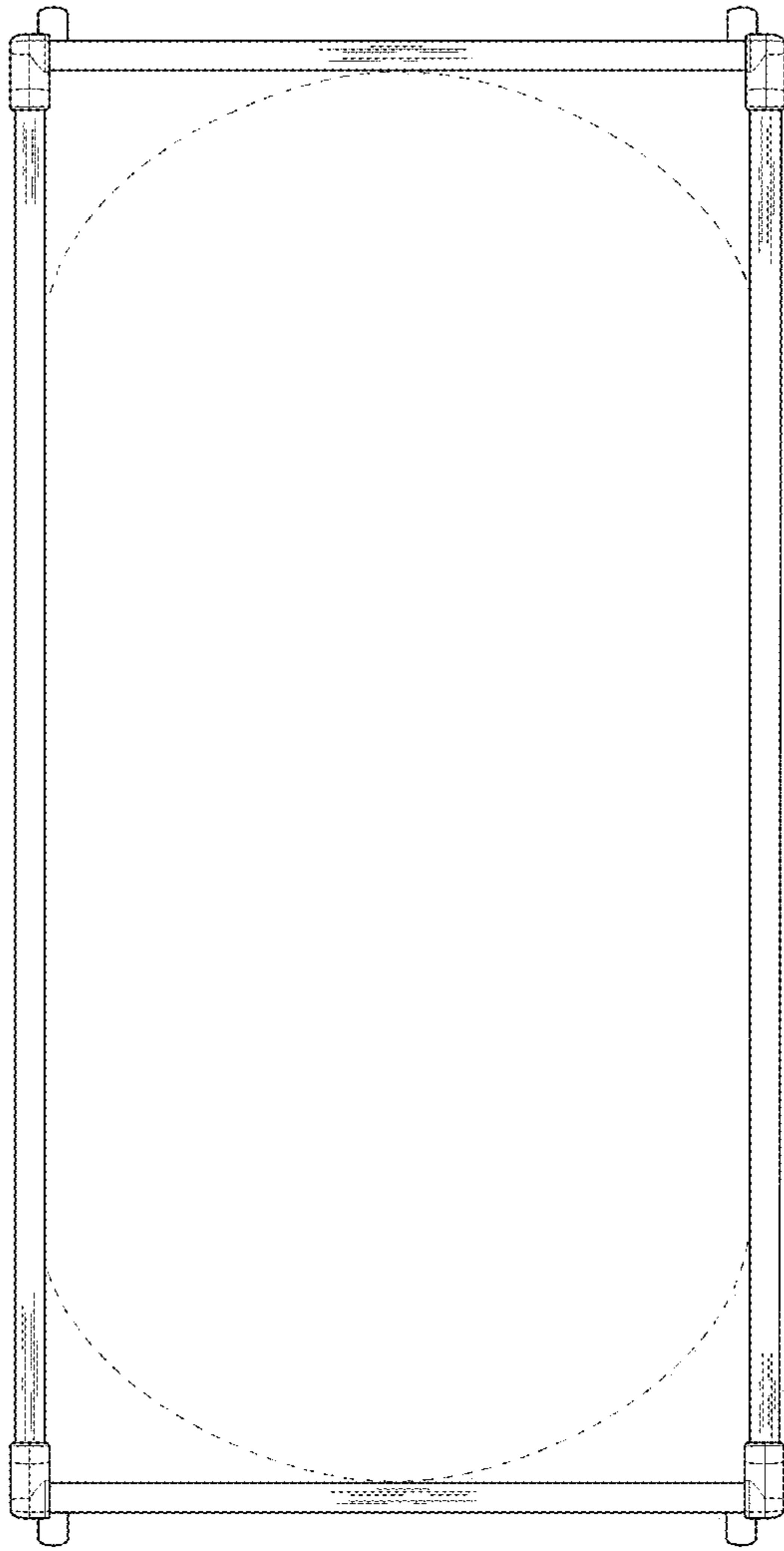


FIG. 4

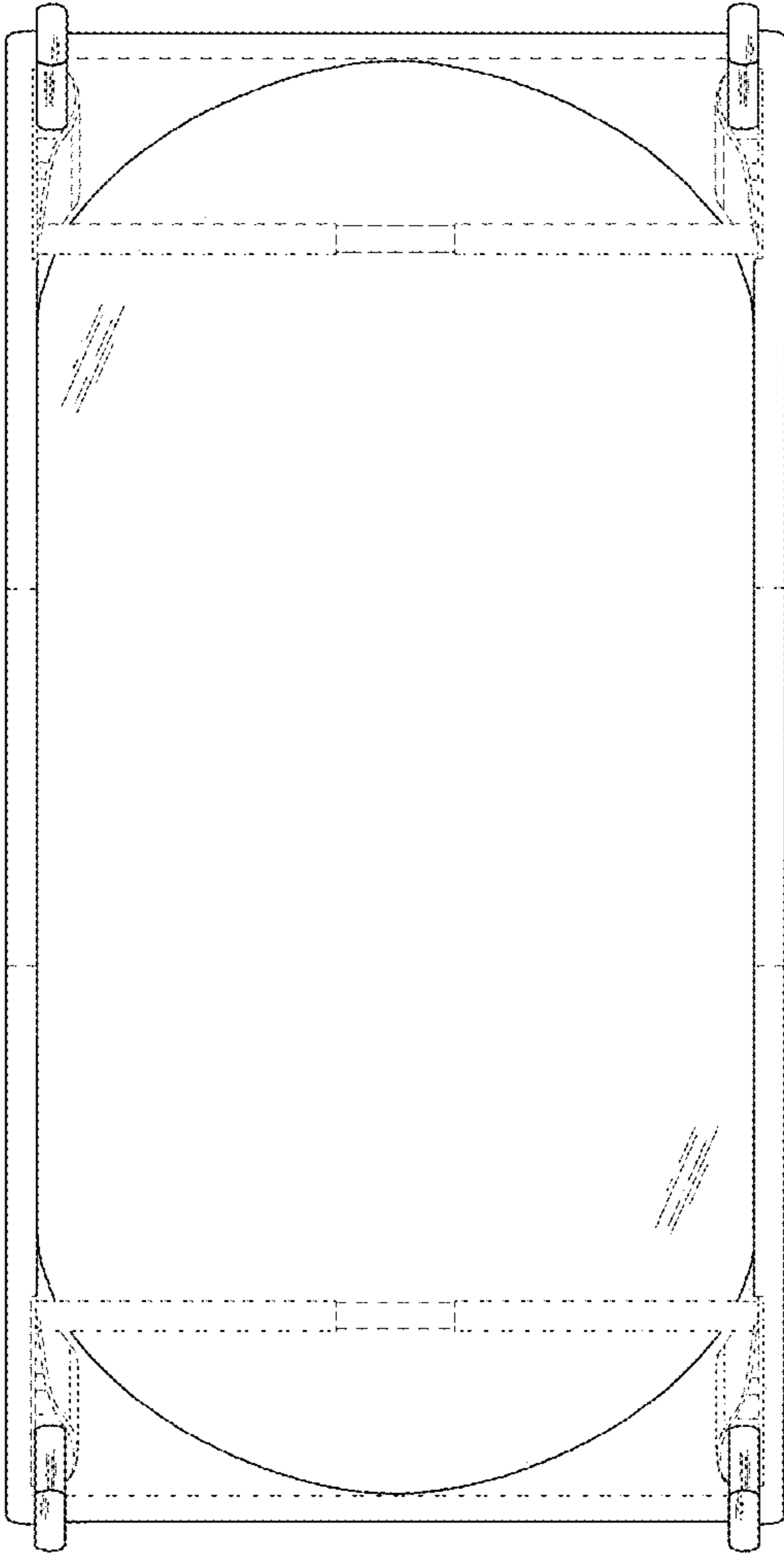


FIG. 5

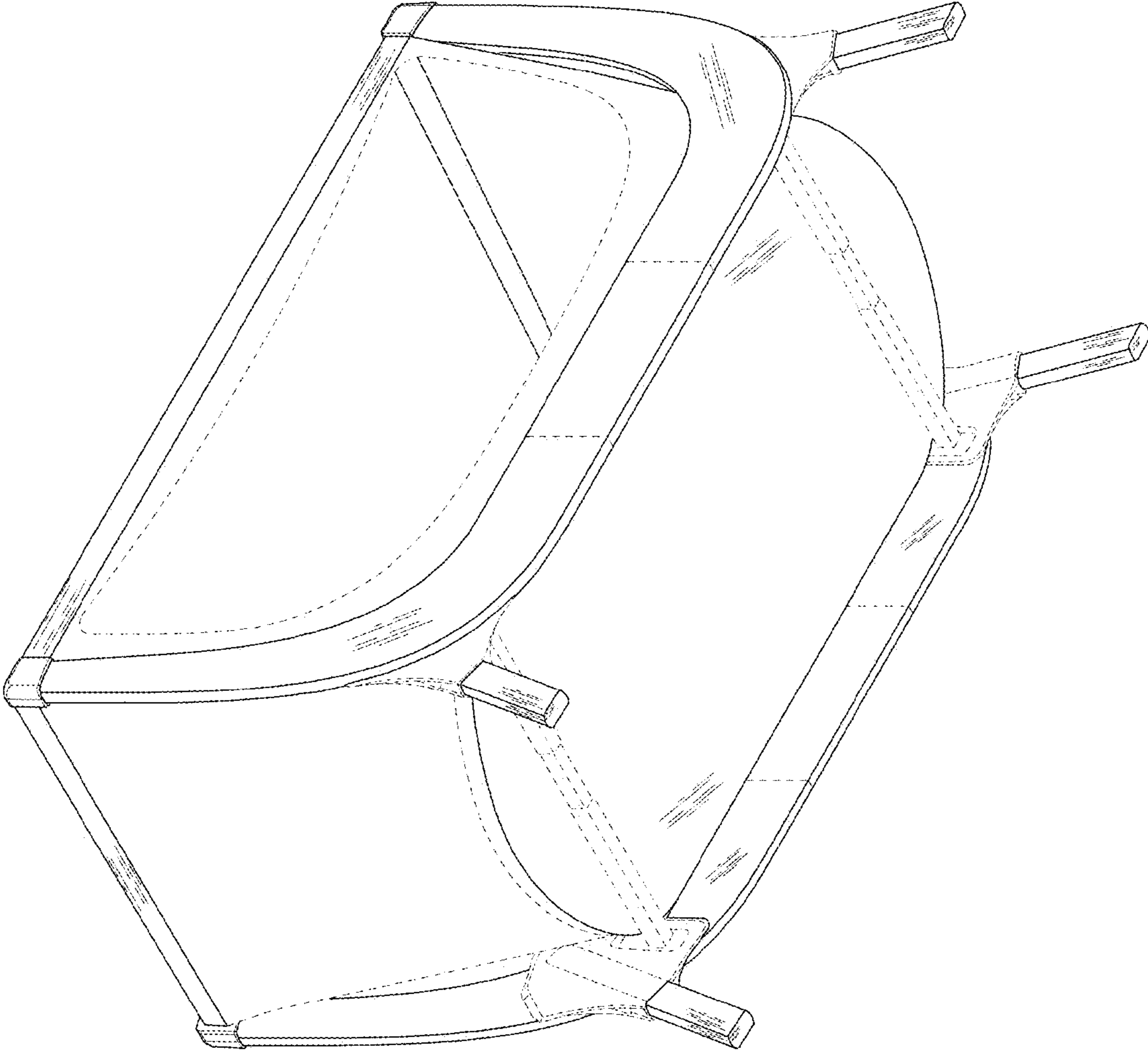


FIG. 6