

US00D945786S

(12) **United States Design Patent** (10) **Patent No.:** **US D945,786 S**
Hiyoshi et al. (45) **Date of Patent:** **** *Mar. 15, 2022**

(54) **CHAIR**

(71) Applicant: **Steelcase Inc.**, Grand Rapids, MI (US)

(72) Inventors: **Yuka Hiyoshi**, Grand Rapids, MI (US);
Lucas Vinecki, Comstock Park, MI (US)

(73) Assignee: **Steelcase Inc.**, Grand Rapids, MI (US)

(*) Notice: This patent is subject to a terminal disclaimer.

(**) Term: **15 Years**

(21) Appl. No.: **29/719,239**

(22) Filed: **Jan. 2, 2020**

(51) **LOC (13) Cl.** **06-01**

(52) **U.S. Cl.**
USPC **D6/375**

(58) **Field of Classification Search**
USPC D6/333, 334, 341, 348, 349, 350, 352, D6/353, 360, 364, 369, 370, 371, 373, D6/374, 375, 376, 377, 379, 380, 390, D6/677, 692, 700, 708, 708.16, 716, 611; D16/237; D21/412, 419, 521
CPC A47C 1/124; A47C 3/34; A47C 4/028; A47C 4/02; A47C 5/12; A47C 5/125; A47C 7/506; A47C 9/007; A47C 13/005; A47C 13/023; A47C 31/113; A47C 31/02; A47C 5/06; A47C 5/08; A47C 27/00; A47C 27/086; A47C 31/11; A47C 7/021; A47C 7/0213; B60R 2/0284; B60R 2/062; B60R 22/001; B60R 22/24; B60R 22/28; B60R 22/58; B60R 22/64; B60R 22/68; B60R 22/80; B60R 22/99; B60R 22/245; B60R 22/643; B60R 22/646; B60R 22/665; B60R 22/686; B60R 22/688; B60R 22/803; B60R 22/986; B60R 22/914; B60R 22/995

See application file for complete search history.

(56) **References Cited**

U.S. PATENT DOCUMENTS

2,227,180	A *	12/1940	Falk	B60N 2/6054
					297/223
D226,997	S	5/1973	Oliver		
3,761,131	A *	9/1973	Oliver	A47C 7/18
					297/452.16
D245,819	S *	9/1977	Tillberg	D6/334
D258,480	S *	3/1981	Rowland	D6/375
D281,839	S	12/1985	Hopfer		
4,676,376	A *	6/1987	Keiswetter	B60N 2/60
					206/449
D368,176	S *	3/1996	Mourgue	D6/334
D393,753	S	4/1998	Mourgue		
D457,005	S	5/2002	Mourgue		
D460,874	S *	7/2002	Joseph	D6/375

(Continued)

OTHER PUBLICATIONS

Cult by Archirivolto Design. Downloaded from <https://www.segis.it/en/products/Cult/> on Jan. 2, 2020 (9 pages).

Primary Examiner — Kevin K Rudzinski
Assistant Examiner — Paul D Bohannon

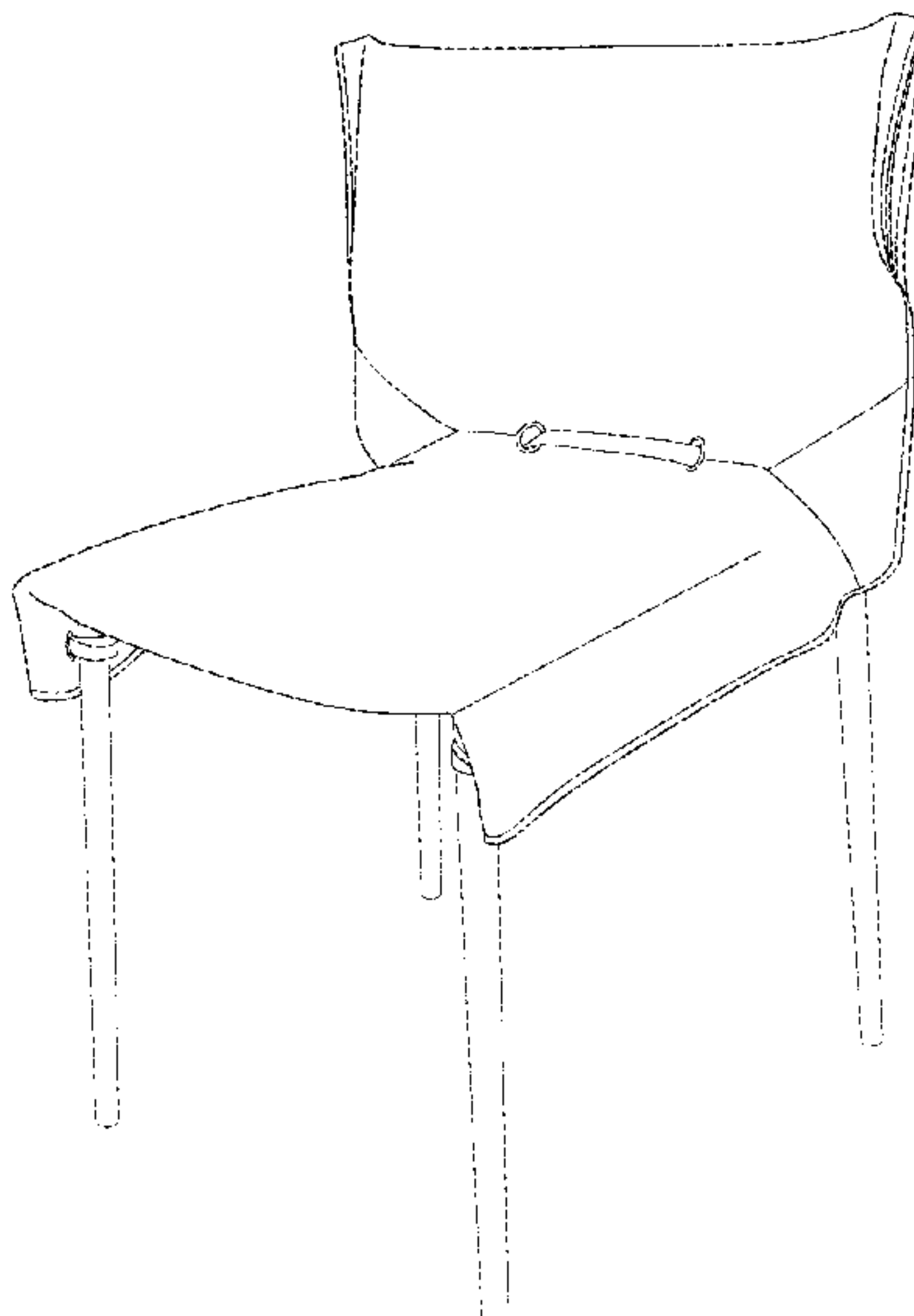
(57) **CLAIM**

We claim the ornamental design for a chair, as shown and described.

DESCRIPTION

FIG. 1 is a front perspective view of a chair, showing our new design;
FIG. 2 is a front view of the chair thereof;
FIG. 3 is a rear view of the chair thereof;
FIG. 4 is a right side view of the chair thereof, the left side view is a mirror image of the right side view of FIG. 4;
FIG. 5 is a top view of the chair thereof; and,
FIG. 6 is a bottom view of the chair thereof.

1 Claim, 5 Drawing Sheets



(56)

References Cited

U.S. PATENT DOCUMENTS

6,575,533 B1 *	6/2003	Kicos	A47C 7/383	D831,368 S	10/2018	Jones	
			297/188.06	D831,992 S	10/2018	Molteni	
D514,335 S *	2/2006	Patti	D6/334	D831,993 S	10/2018	George, II	
D553,894 S *	10/2007	Springer	D6/611	D832,608 S	11/2018	Liu	
D578,789 S *	10/2008	Ciani	D6/380	D833,162 S	11/2018	Schnermann	
D579,052 S *	10/2008	Ciani	D6/379	D844,341 S	4/2019	Tran	
D610,817 S *	3/2010	Degenhardt	D6/334	D845,021 S	4/2019	Bray	
D611,751 S *	3/2010	Siklosi	D6/611	D845,658 S	4/2019	Tham	
D630,449 S *	1/2011	Kelemer	D6/368	D846,932 S	4/2019	Lampela	
D638,231 S	5/2011	Lievore		D850,136 S	6/2019	Haugh	
D646,091 S	10/2011	Welsh		D856,055 S	8/2019	Read	
D647,351 S *	10/2011	Jemmott	D6/611	D858,128 S	9/2019	Li	
D648,562 S	11/2011	Lievore		D859,021 S	9/2019	Novak	
D663,132 S	7/2012	Morrison		D860,666 S	9/2019	Urquiola	
D665,593 S	8/2012	Morrison		D863,805 S *	10/2019	Jones	D6/374
D669,701 S	10/2012	Starck		D912,430 S *	3/2021	Chen	D6/375
D670,099 S	11/2012	Olivares		2008/0231096 A1 *	9/2008	Romero	A47C 31/11
D689,296 S	9/2013	Starck					297/219.1
D693,139 S	11/2013	Darrow		2011/0198895 A1 *	8/2011	Friedman	A47G 9/10
D715,569 S	10/2014	Laub					297/183.1
D715,573 S *	10/2014	Lloyd	D6/375	2012/0212019 A1 *	8/2012	Rodriguez	A47C 31/11
D731,222 S	6/2015	Bosman					297/219.1
D770,792 S	11/2016	George, II		2012/0274111 A1 *	11/2012	Piretti	A47C 7/443
D806,426 S	1/2018	George, II					297/301.4
D808,669 S	1/2018	Li		2014/0070575 A1 *	3/2014	von Saher	A47C 7/624
D811,790 S	3/2018	Chavarria					297/188.2
D819,380 S	6/2018	Chavarria		2015/0020352 A1 *	1/2015	Funger	A47C 21/022
D820,018 S	6/2018	Bellin					24/301
D826,587 S	8/2018	George, II		2017/0144575 A1 *	5/2017	Carr	B60N 2/6027
				2020/0039401 A1 *	2/2020	Mestroni	B60N 2/6027
				2020/0290491 A1 *	9/2020	Mohr	B60N 2/6072

* cited by examiner

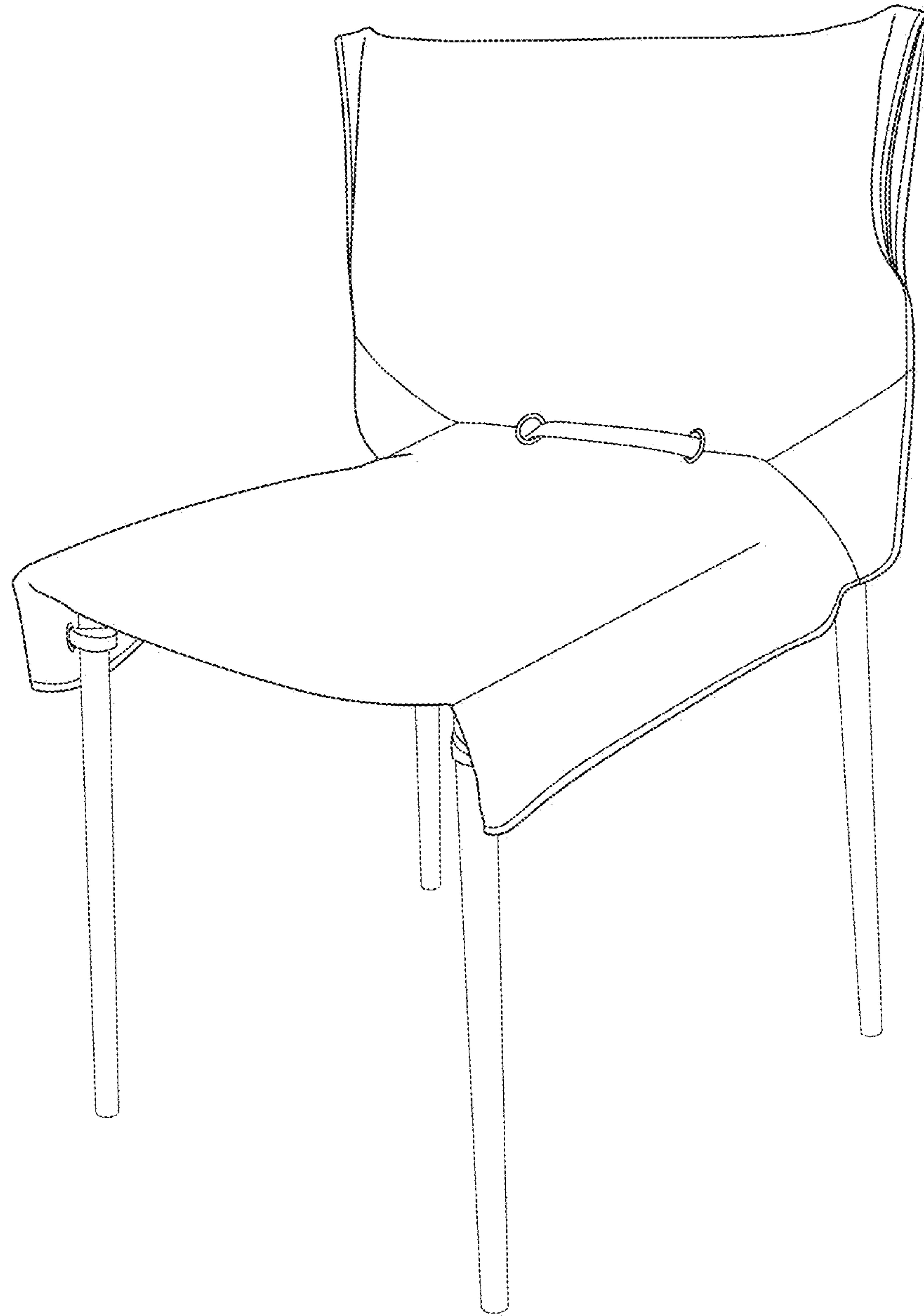


FIG. 1

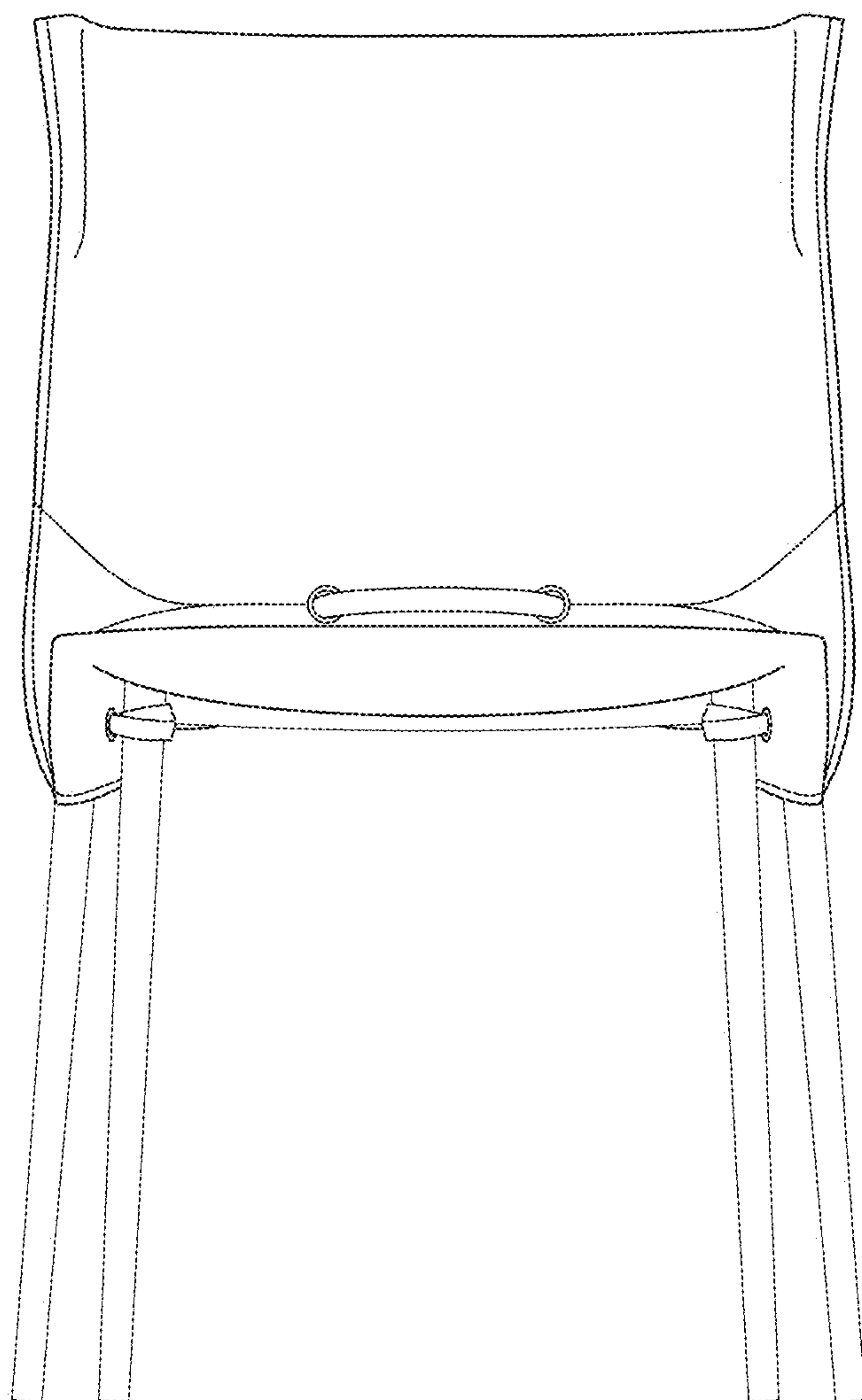


FIG. 2

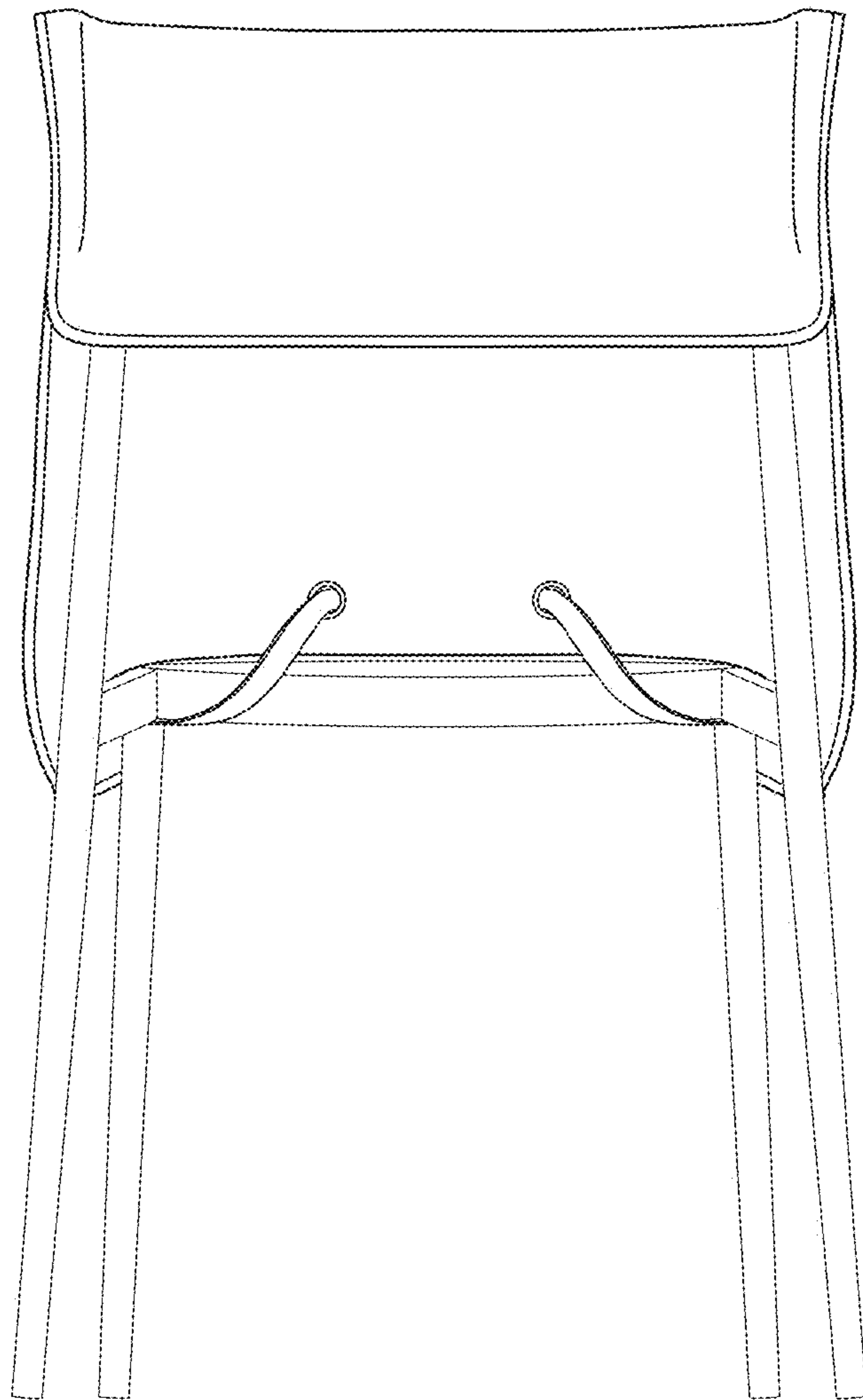


FIG. 3

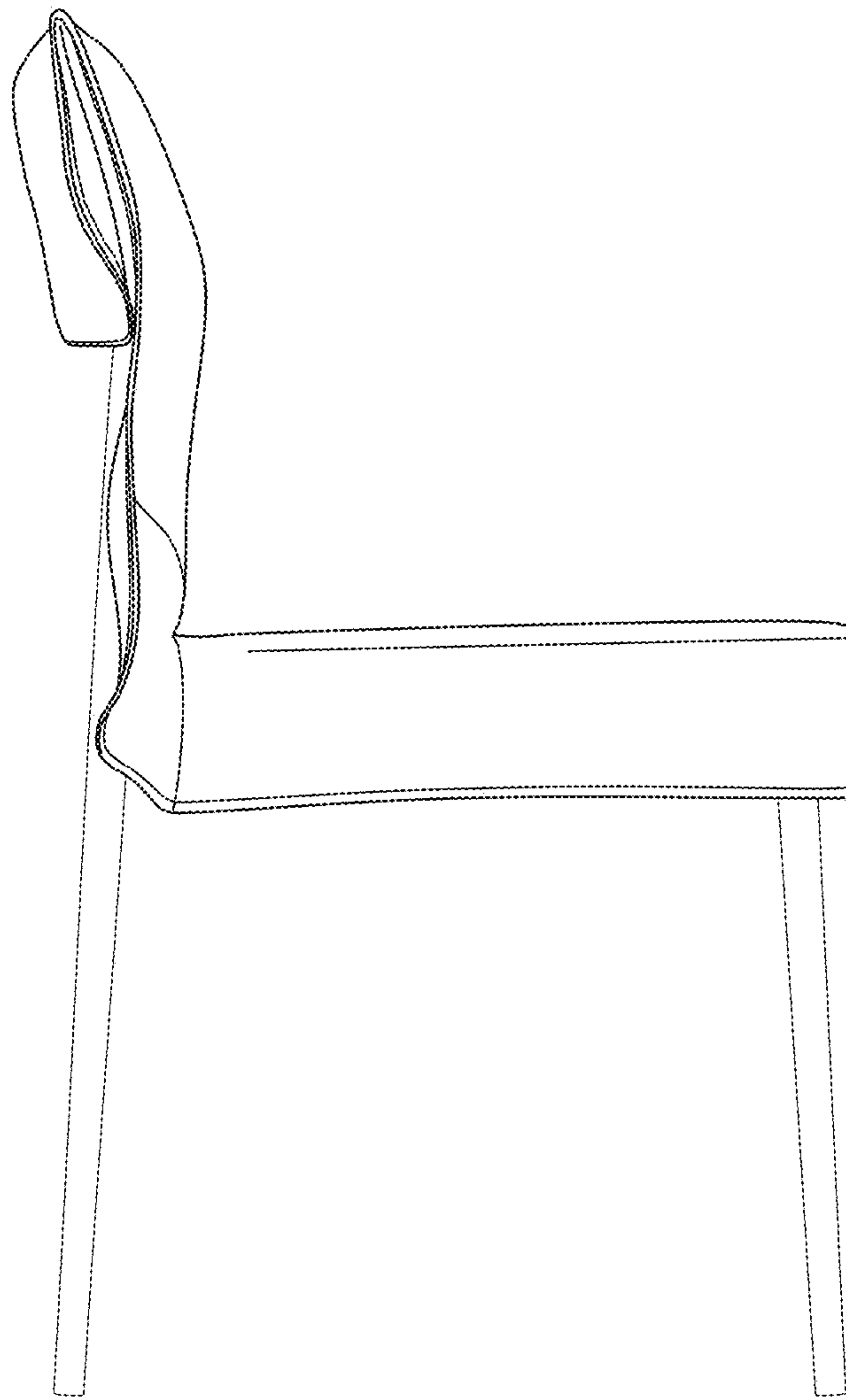


FIG. 4

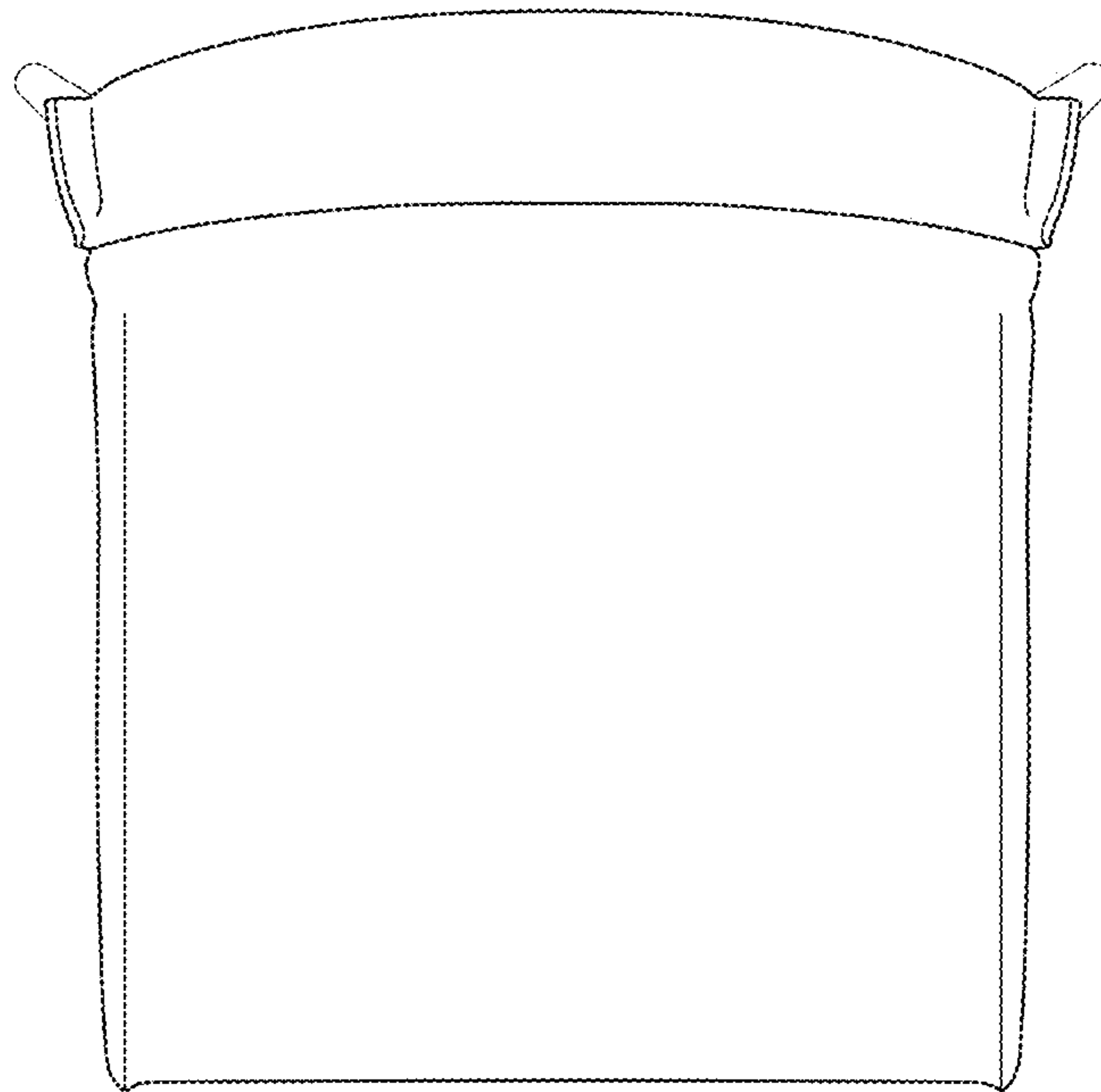


FIG. 5

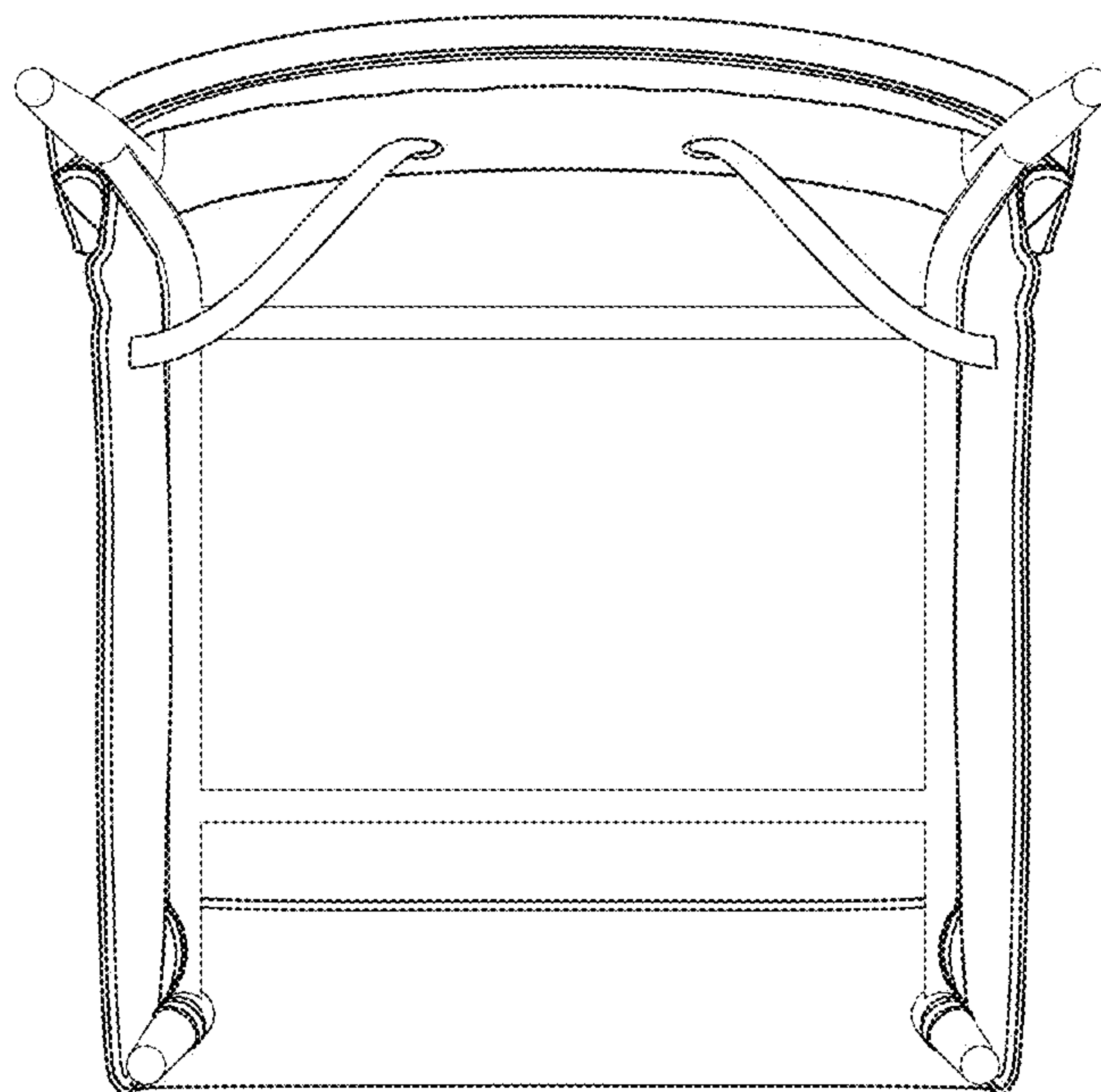


FIG. 6