



US00D945785S

(12) **United States Design Patent**  
**Bellissimo**

(10) **Patent No.:** **US D945,785 S**

(45) **Date of Patent:** **\*\* Mar. 15, 2022**

(54) **FLOOR MOUNTED ROW SEAT**

(71) Applicant: **4Topps LLC**, Winston-Salem, NC (US)

(72) Inventor: **Joseph Bellissimo**, Winston-Salem, NC (US)

(73) Assignee: **4Topps LLC**, Winston-Salem, NC (US)

(\*\*) Term: **15 Years**

(21) Appl. No.: **29/707,626**

(22) Filed: **Sep. 30, 2019**

(51) **LOC (13) Cl.** ..... **06-01**

(52) **U.S. Cl.**  
USPC ..... **D6/368**

(58) **Field of Classification Search**  
USPC ..... D6/334-336, 362, 364, 365, 368, 374,  
D6/380, 716, 716.1, 716.2, 716.3, 716.4,  
D6/717

CPC .... A47C 4/02; A47C 4/03; A47C 4/04; A47C  
4/08; A47C 5/12; A47C 1/12; A47C 1/21;  
A47C 1/26; A47C 1/16

See application file for complete search history.

(56) **References Cited**

**U.S. PATENT DOCUMENTS**

D210,364 S \* 3/1968 Lindberg ..... D6/717  
D347,947 S \* 6/1994 Donnelly ..... D6/368

D446,035 S \* 8/2001 Haney ..... D6/368  
D509,672 S \* 9/2005 Nemeth, Jr. .... D6/368  
D845,017 S \* 4/2019 Zhou ..... D6/368

\* cited by examiner

*Primary Examiner* — Mimoso De

(74) *Attorney, Agent, or Firm* — Kirk A. Wilson; Joseph T. Guy; Patent Filing Specialist Inc.

(57) **CLAIM**

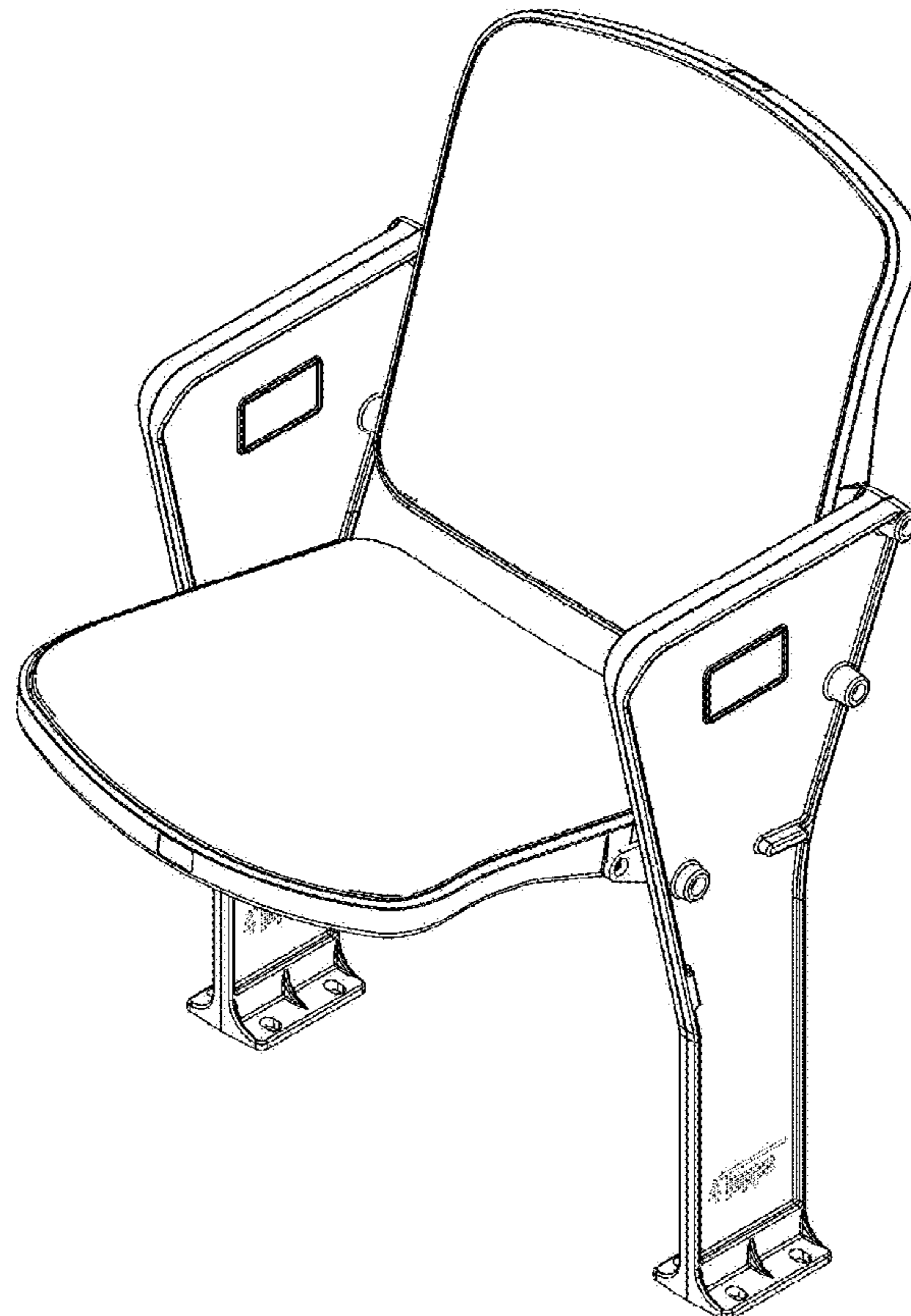
The ornamental design for floor mounted row seat, as shown and described.

**DESCRIPTION**

FIG. 1 is a top front perspective view the present invention; FIG. 2 is a front view of the present invention; FIG. 3 is a back side view of the present invention; FIG. 4 is a left side view of the present invention; FIG. 5 is a right side view of the present invention; FIG. 6 is a top side view of the present invention; and, FIG. 7 is a bottom side view of the invention.

The broken lines, where present, illustrate portions of the riser and floor mounted row seat that form no part of the claimed invention.

**1 Claim, 7 Drawing Sheets**



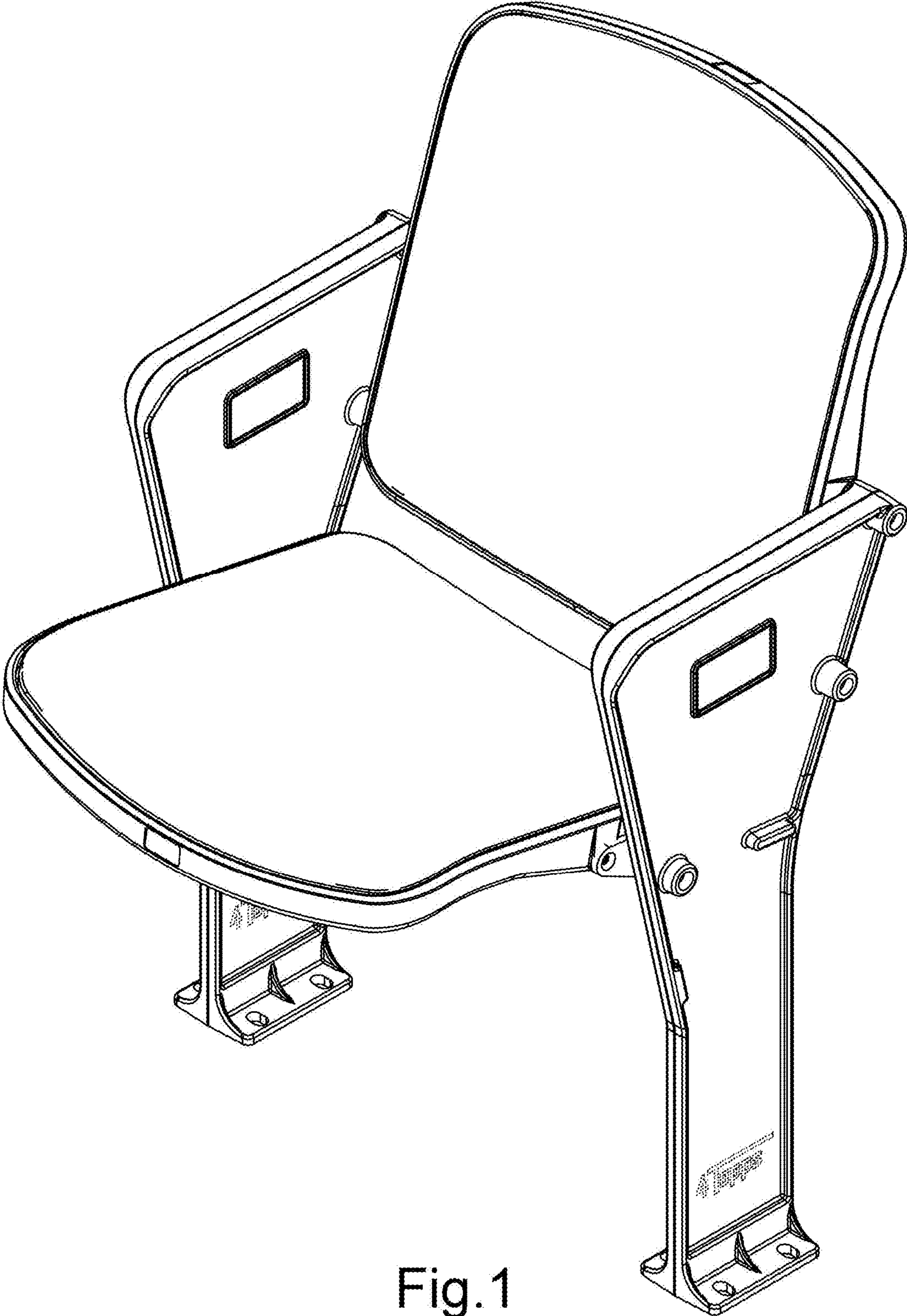


Fig. 1

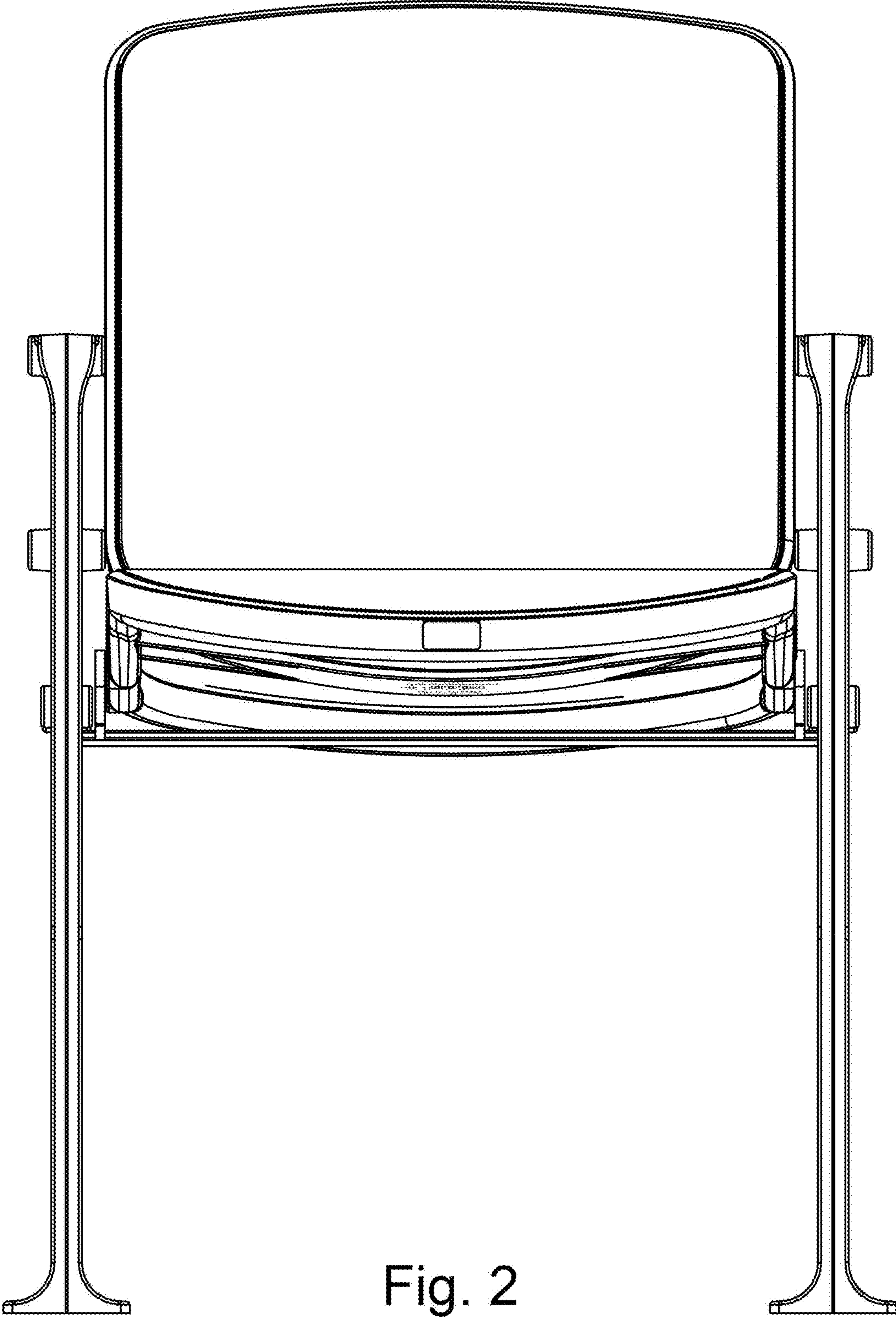


Fig. 2

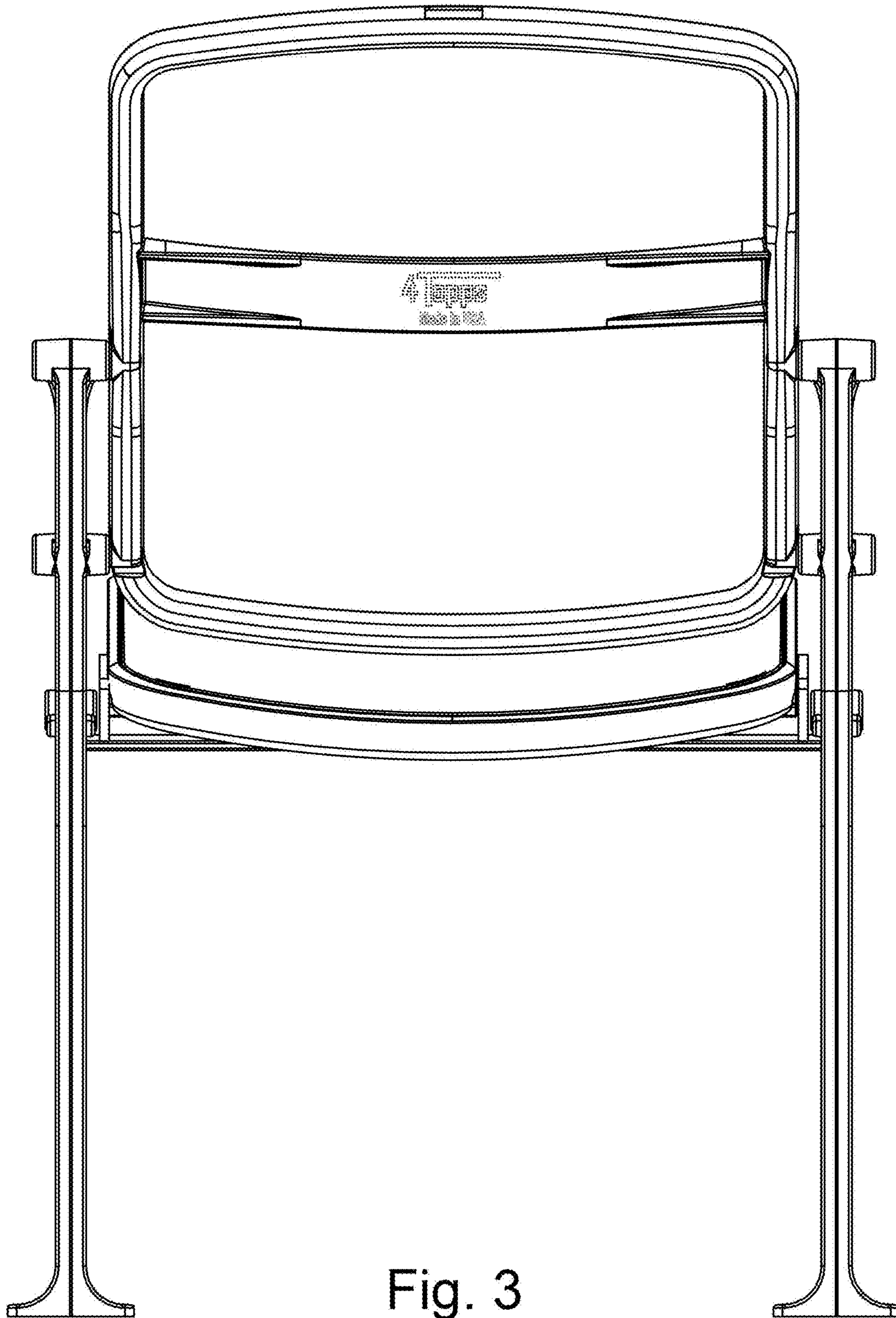


Fig. 3

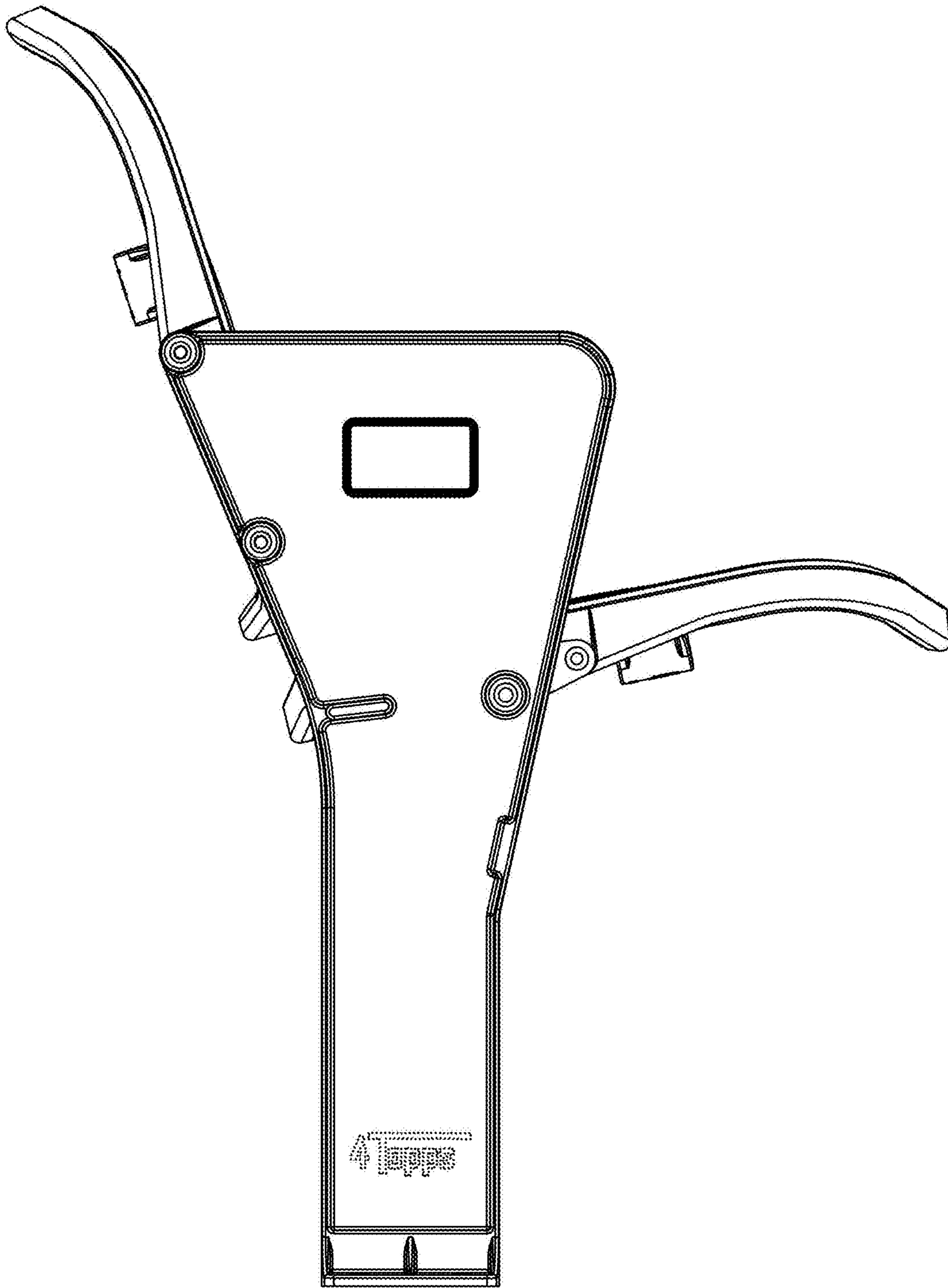


Fig. 4

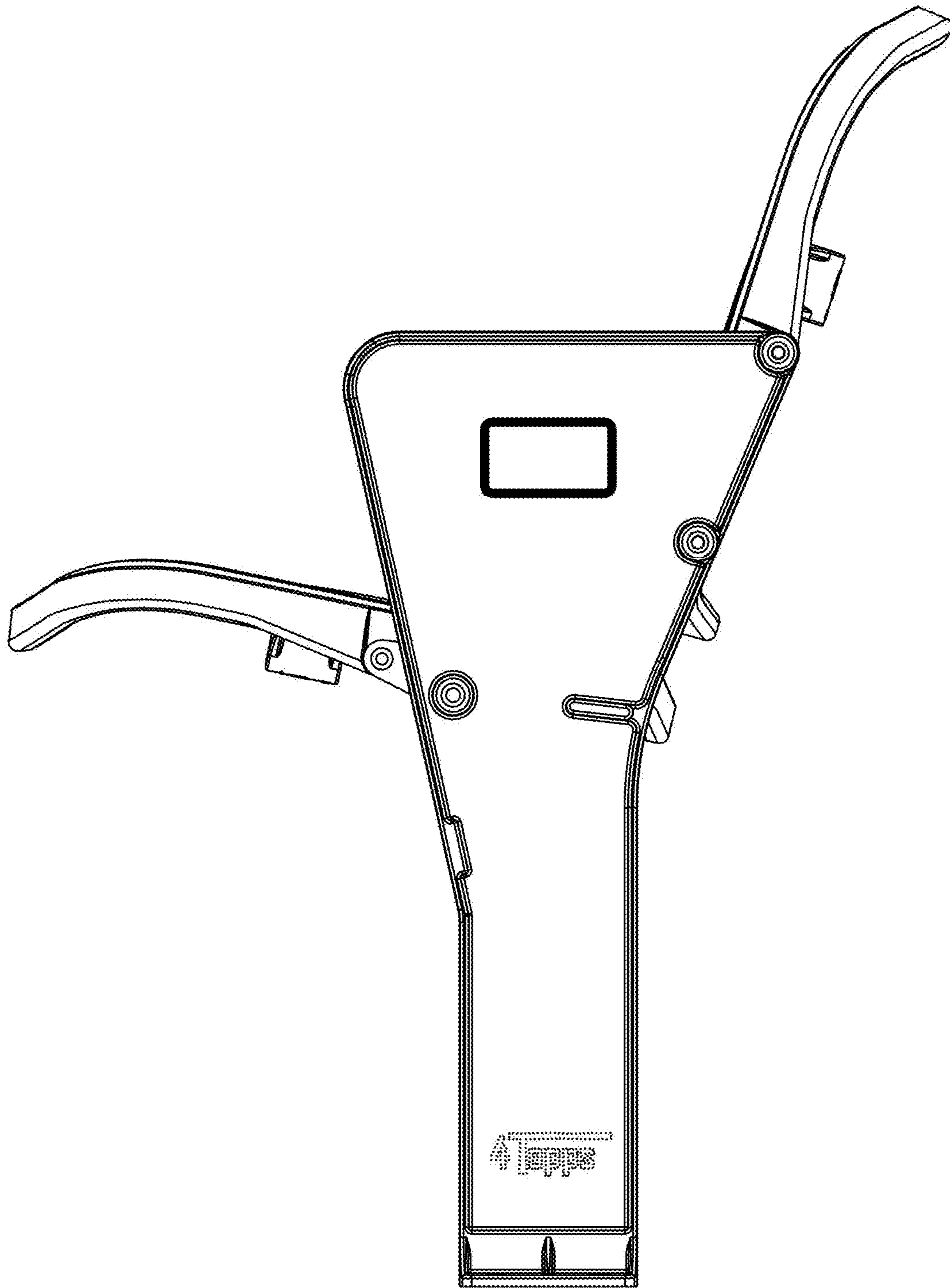


Fig. 5

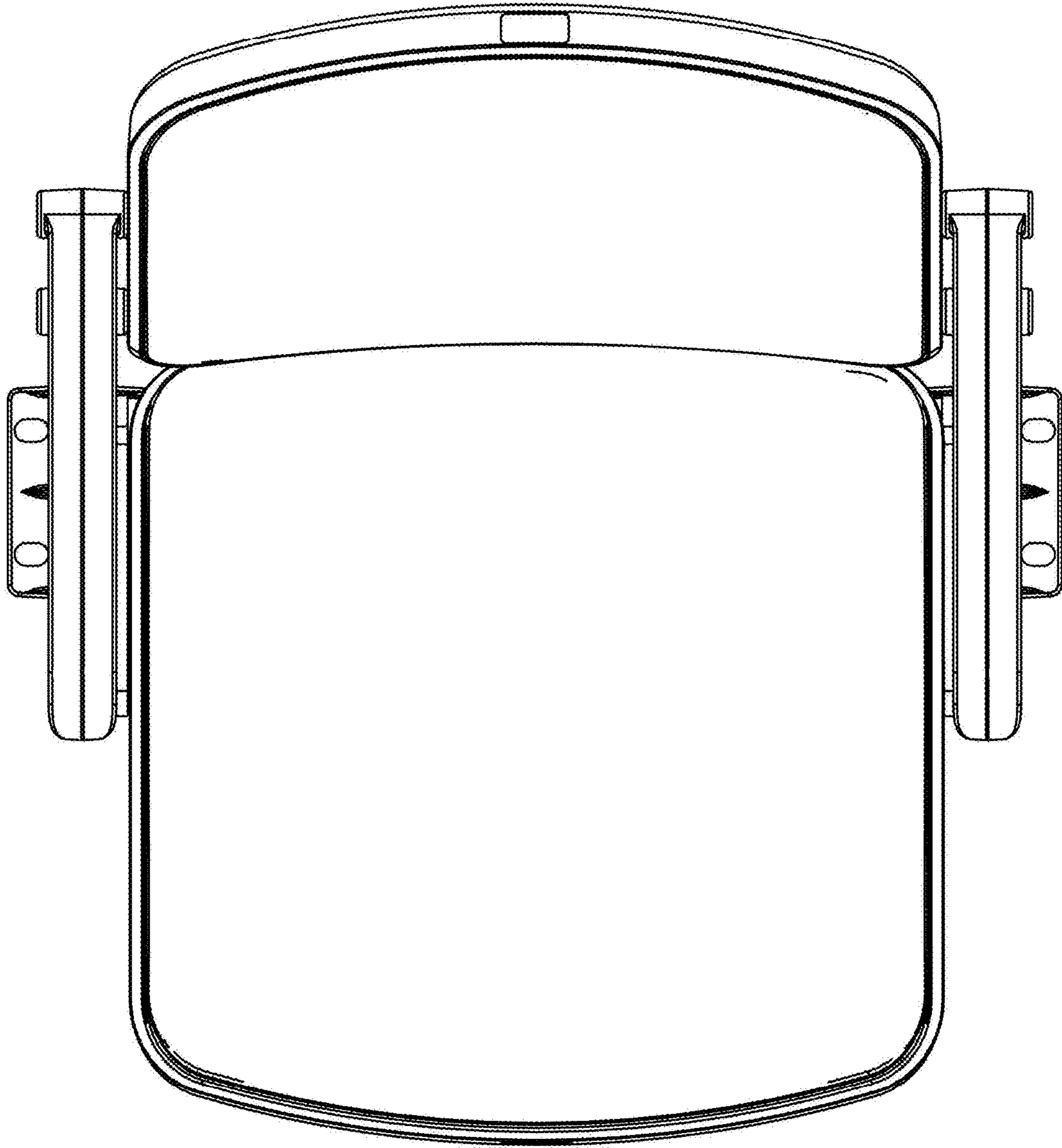


Fig. 6

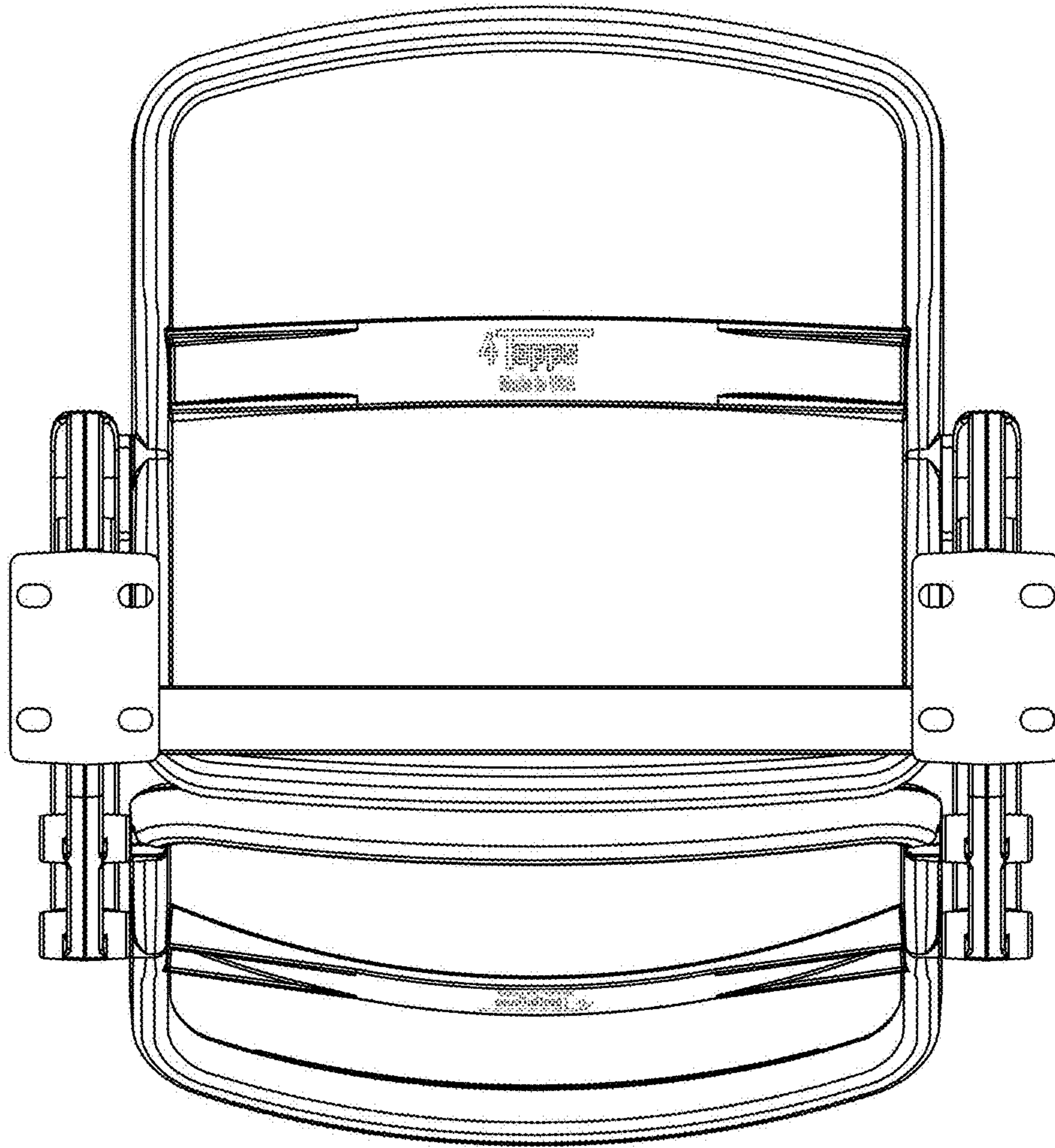


Fig. 7