



US00D945784S

(12) **United States Design Patent**
Quinn

(10) **Patent No.:** **US D945,784 S**
(45) **Date of Patent:** **** Mar. 15, 2022**

- (54) **CHAIR**
- (71) Applicant: **CleverMade, LLC**, Carlsbad, CA (US)
- (72) Inventor: **Thomas A. Quinn**, Carlsbad, CA (US)
- (73) Assignee: **CleverMade, LLC**, Carlsbad, CA (US)
- (**) Term: **15 Years**
- (21) Appl. No.: **29/652,510**
- (22) Filed: **Sep. 4, 2020**
- (51) **LOC (13) Cl.** **06-01**
- (52) **U.S. Cl.**
USPC **D6/368**
- (58) **Field of Classification Search**
USPC D6/334, 369, 381, 717.2; D5/43
CPC .. A47C 5/02; A47C 5/08; A47C 7/004; A47C
7/024; A47C 7/62; A47C 7/72; A61H
2201/0149
See application file for complete search history.

- 4,322,109 A * 3/1982 Thebaud A47C 4/022
108/118
- D263,654 S * 4/1982 Borichevsky D6/368
- D264,405 S * 5/1982 Adkinson D6/369
- D269,653 S * 7/1983 Deconinck D6/368
- D269,832 S * 7/1983 Crane D6/368
- D289,468 S * 4/1987 MacVeigh D6/368
- D329,149 S * 9/1992 Swope D6/368
- D344,195 S * 2/1994 Hare D6/374
- D363,170 S * 10/1995 Cahaley D6/335
- 5,588,695 A * 12/1996 Gomes A47C 4/03
297/56
- D396,964 S * 8/1998 Mullins D6/368
- D439,067 S * 3/2001 Vertongen D6/370
- D440,421 S * 4/2001 Dobson, III D6/370

(Continued)

Primary Examiner — Kevin K Rudzinski
Assistant Examiner — Paul D Bohannon
 (74) *Attorney, Agent, or Firm* — Ryan Dean; Umberg
 Zipser LLP

(57) **CLAIM**

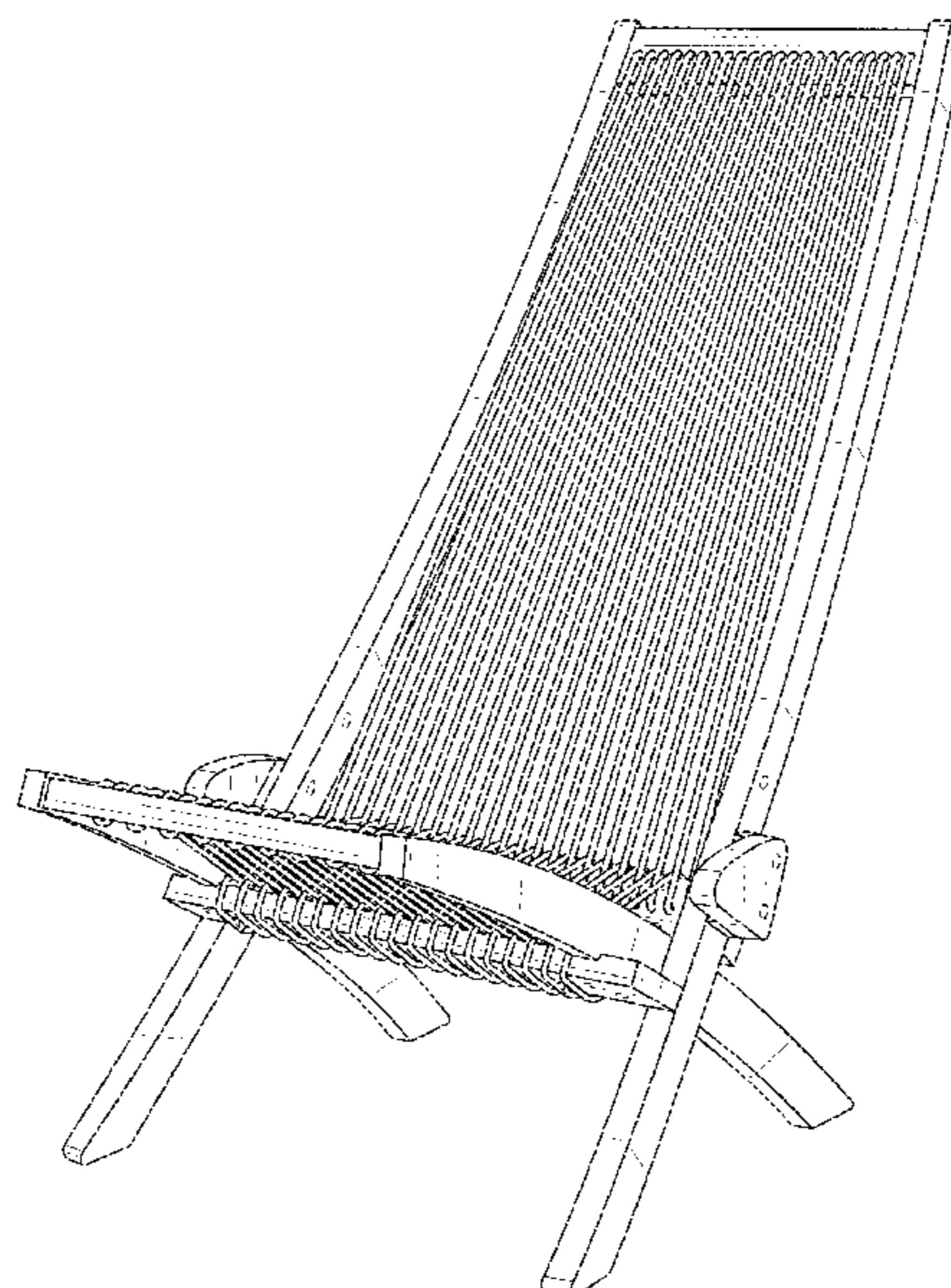
I claim the ornamental design for a chair, as shown and described.

DESCRIPTION

FIG. 1 is a perspective view of the chair in an upright orientation.
 FIG. 2 is a perspective view of the chair in a collapsed orientation.
 FIG. 3 is a front elevation view of the chair.
 FIG. 4 is a back elevation view of the chair.
 FIG. 5 is a left side elevation view of the chair.
 FIG. 6 is a right side elevation view of the chair.
 FIG. 7 is a top plan view of the chair; and,
 FIG. 8 is a bottom plan view of the chair.
 The broken lines shown in the drawings are for the purpose of illustrating portions of the article and form no part of the claimed design.

1 Claim, 8 Drawing Sheets

- (56) **References Cited**
U.S. PATENT DOCUMENTS
- 64,535 A * 5/1867 Hyde A47C 1/035
297/27
- 1,969,313 A * 8/1934 Meeker A47C 4/40
297/17
- D168,993 S * 3/1953 Gould D6/369
- D174,211 S * 3/1955 Birkerts et al. D6/369
- D221,146 S * 7/1971 McComas D6/368
- D240,873 S * 8/1976 Lewis D6/368
- D242,193 S * 11/1976 Joiner D6/370
- 4,118,064 A * 10/1978 Robeson A47C 3/02
297/18
- 4,273,379 A * 6/1981 Borichevsky A47C 4/02
297/440.11
- D260,123 S * 8/1981 Lamb D6/368
- D260,335 S * 8/1981 Thomas D6/370
- D260,459 S * 9/1981 Lamb D6/368
- D260,705 S * 9/1981 Zamora D6/370



(56)

References Cited

U.S. PATENT DOCUMENTS

D442,379	S	*	5/2001	Vertongen	D6/368
D442,380	S	*	5/2001	Vertongen	D6/368
D470,318	S	*	2/2003	Barber	D6/370
D481,549	S	*	11/2003	Turner	A47C 4/10
						D6/368
D650,193	S	*	12/2011	Millar	D6/370
D707,050	S	*	6/2014	Colby	D6/368
D750,913	S	*	3/2016	Leathead	D6/368
D755,551	S	*	5/2016	Akkad	D6/716
D779,846	S	*	2/2017	Aurrecoechea	D6/368
D831,367	S	*	10/2018	Lievore	D6/368
D863,804	S	*	10/2019	Foersom	D6/372
D888,452	S	*	6/2020	Koophavonrerk	D6/369
D927,878	S	*	8/2021	Velez	D6/369
2006/0186711	A1	*	8/2006	Phipps	A47C 4/14
						297/46

* cited by examiner

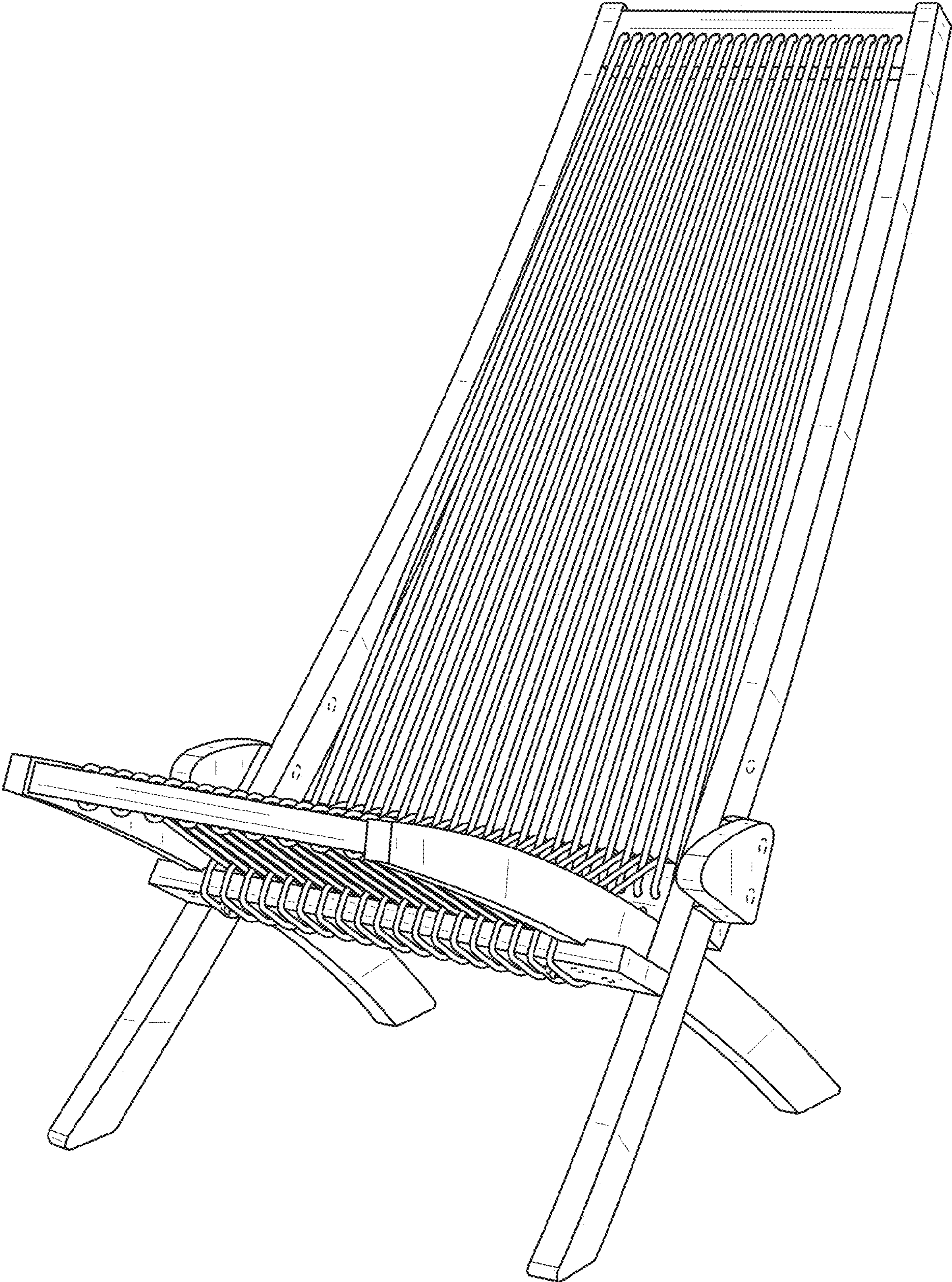


FIG. 1

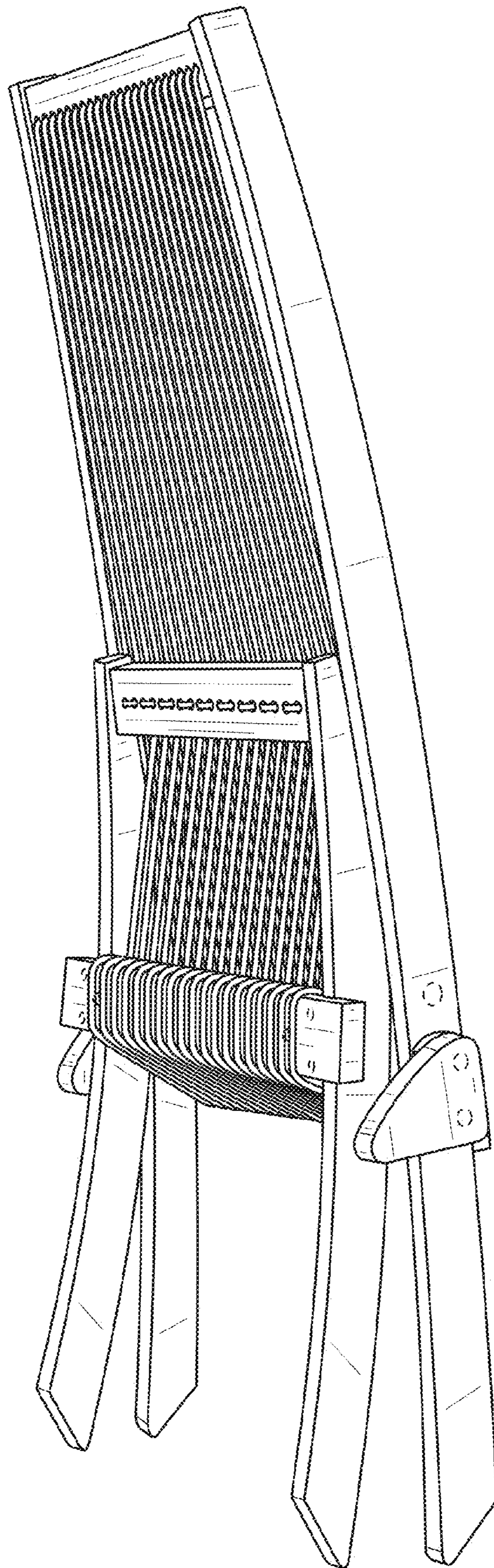


FIG. 2

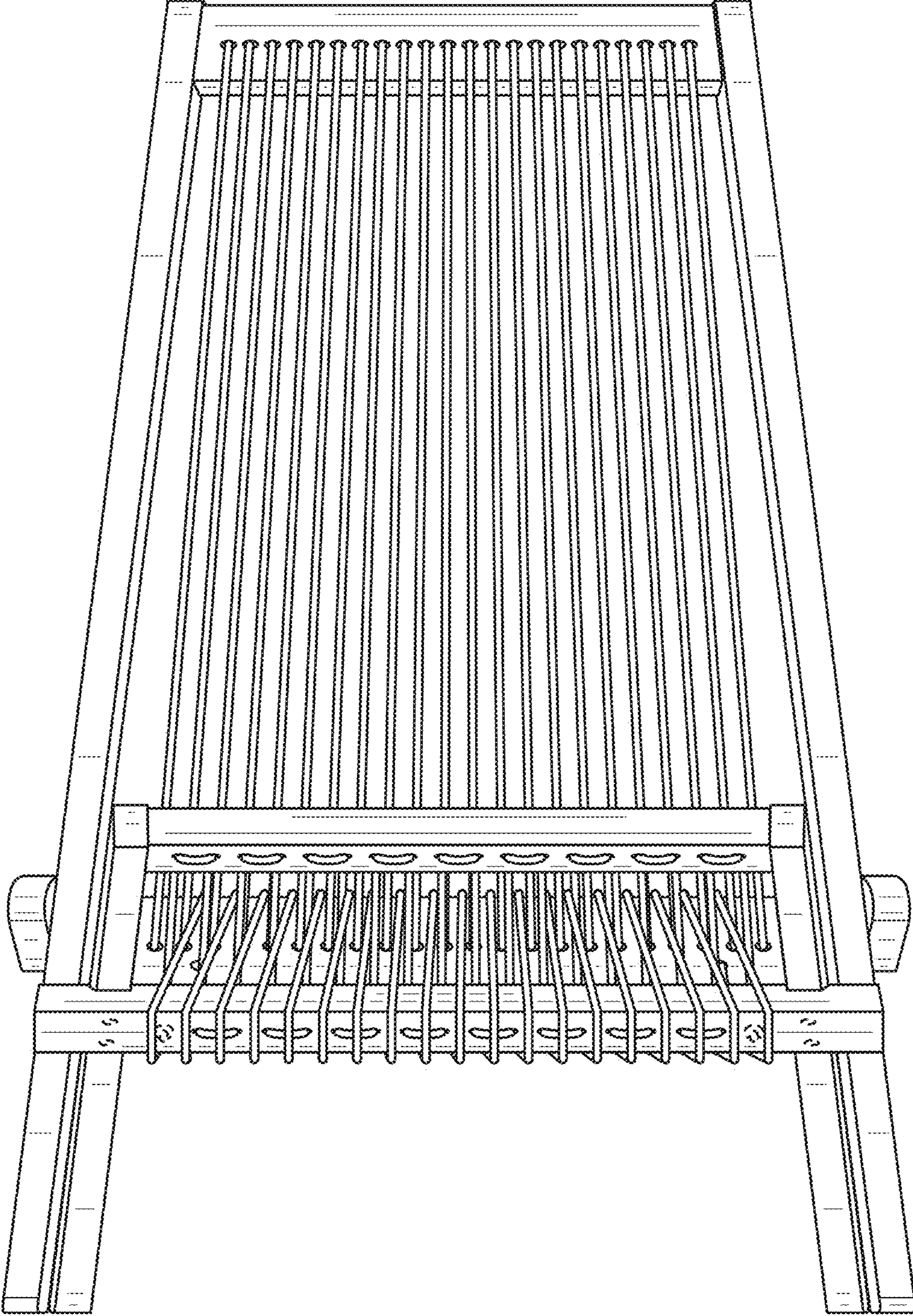


FIG. 3

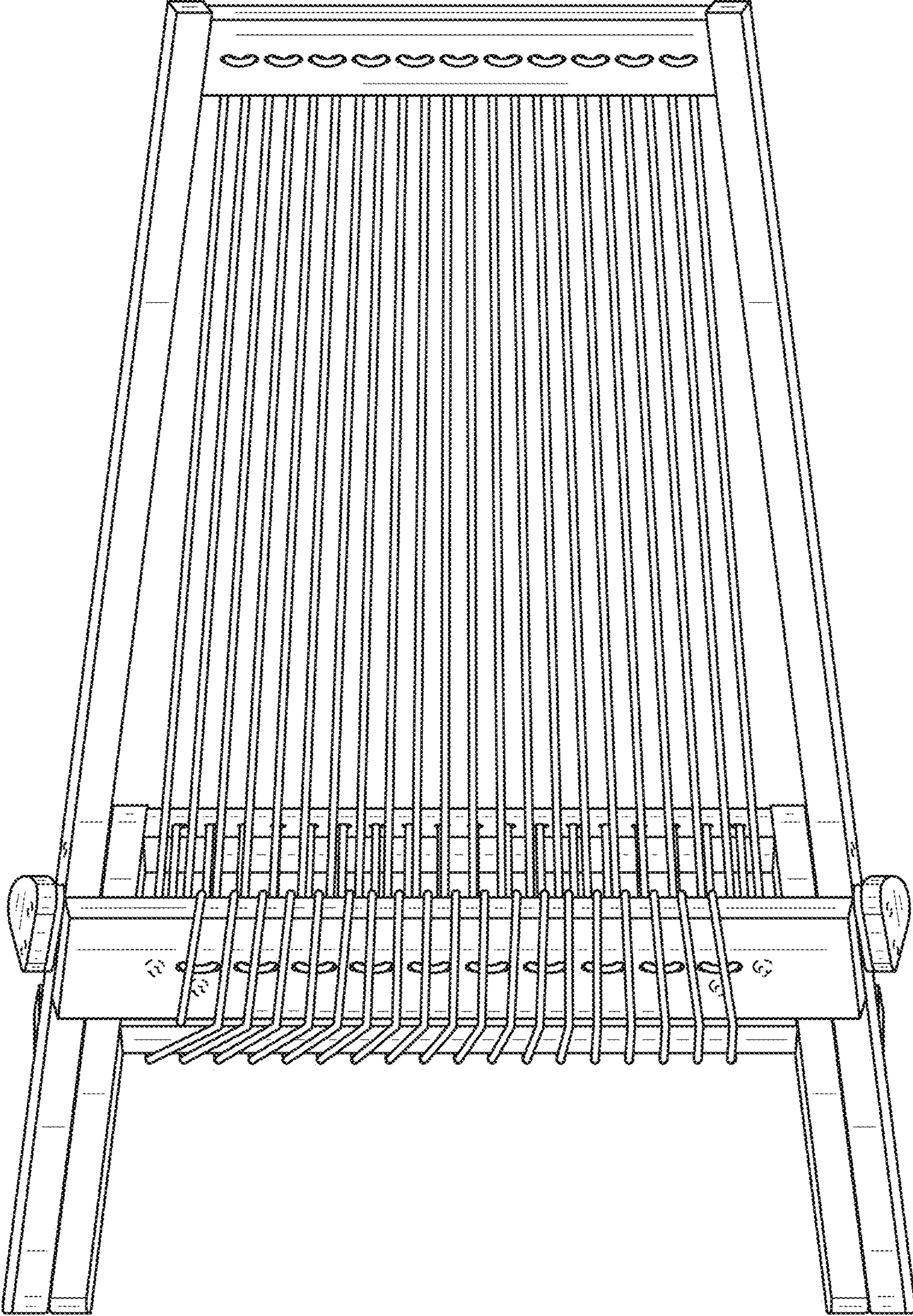


FIG. 4

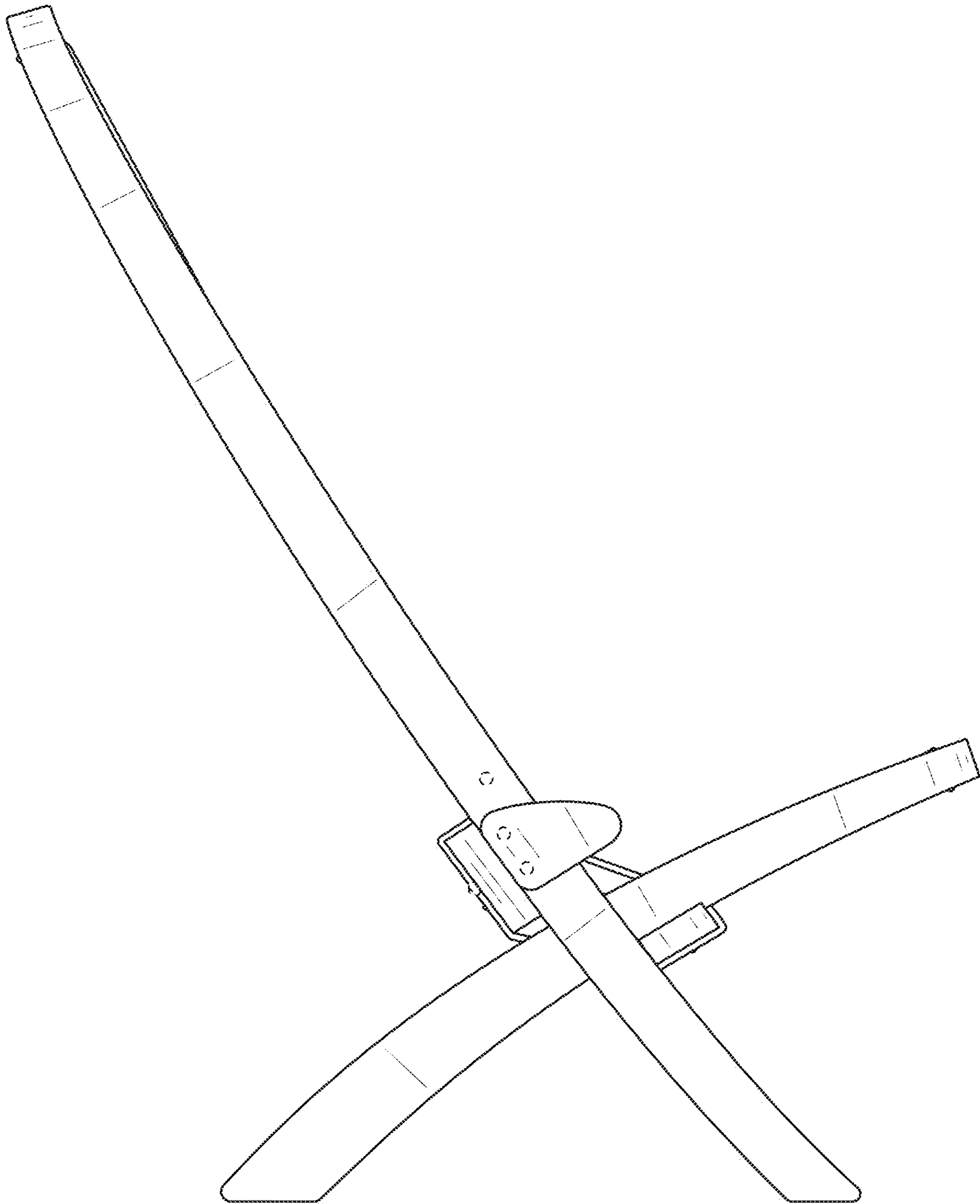


FIG. 5

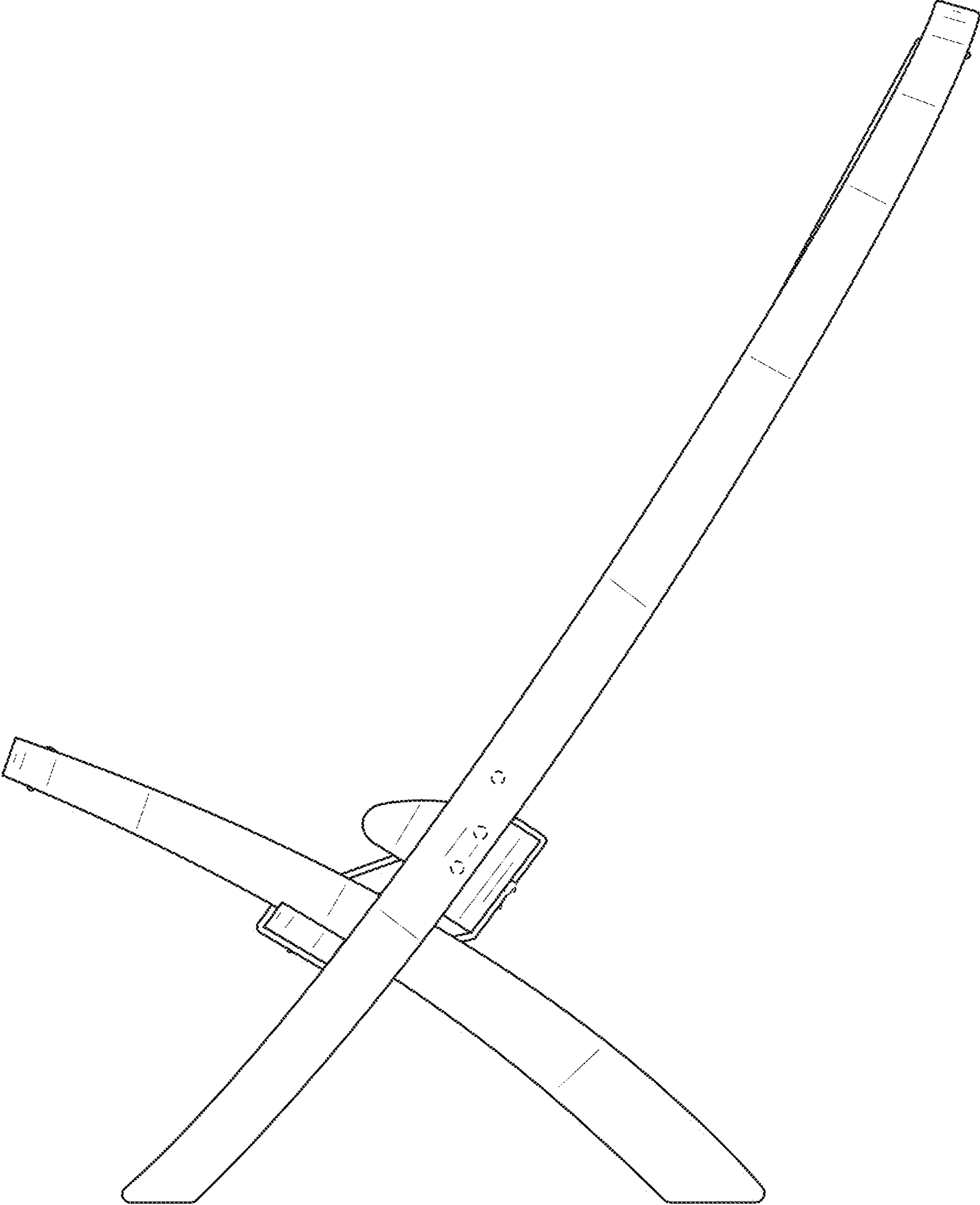


FIG. 6

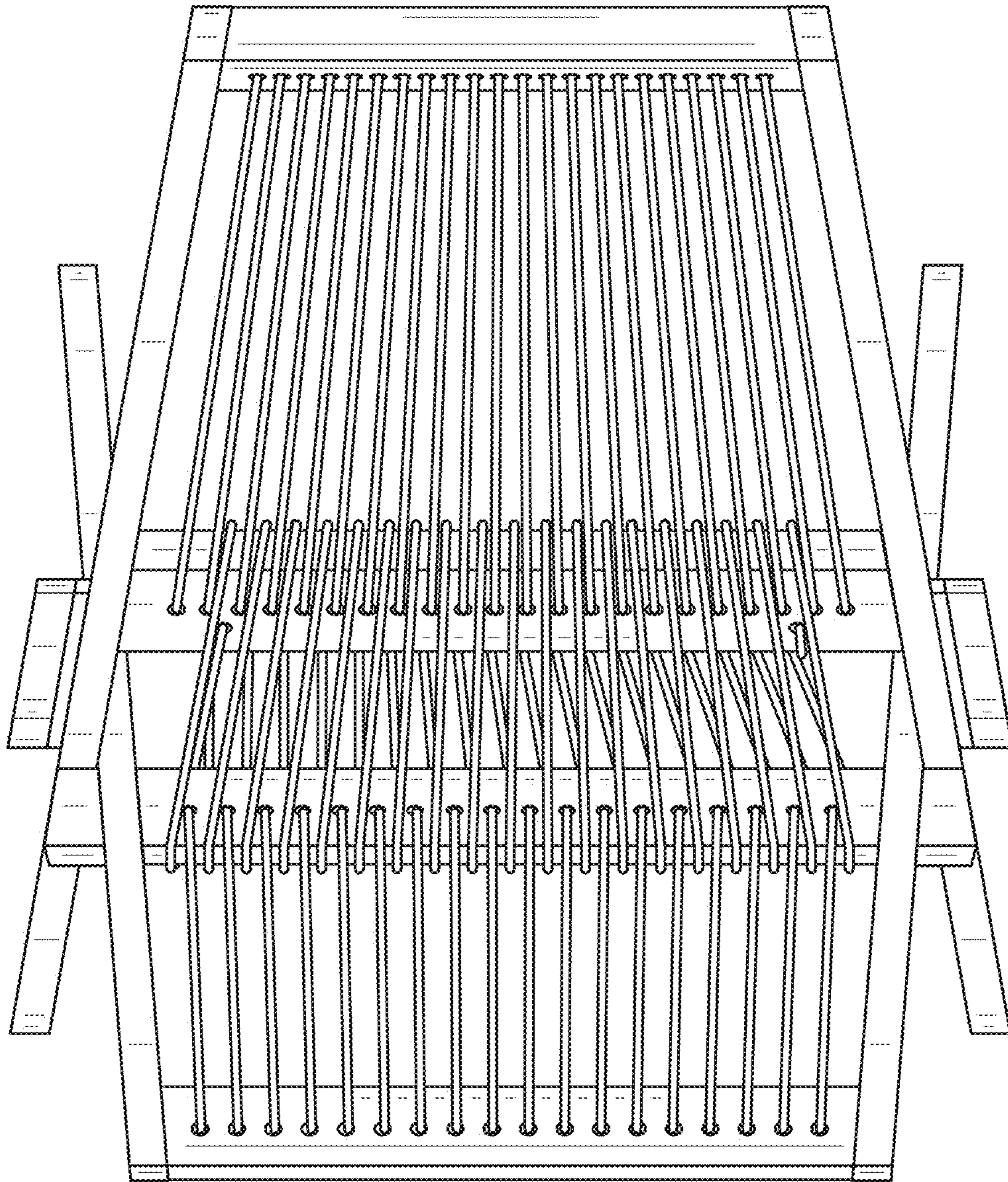


FIG. 7

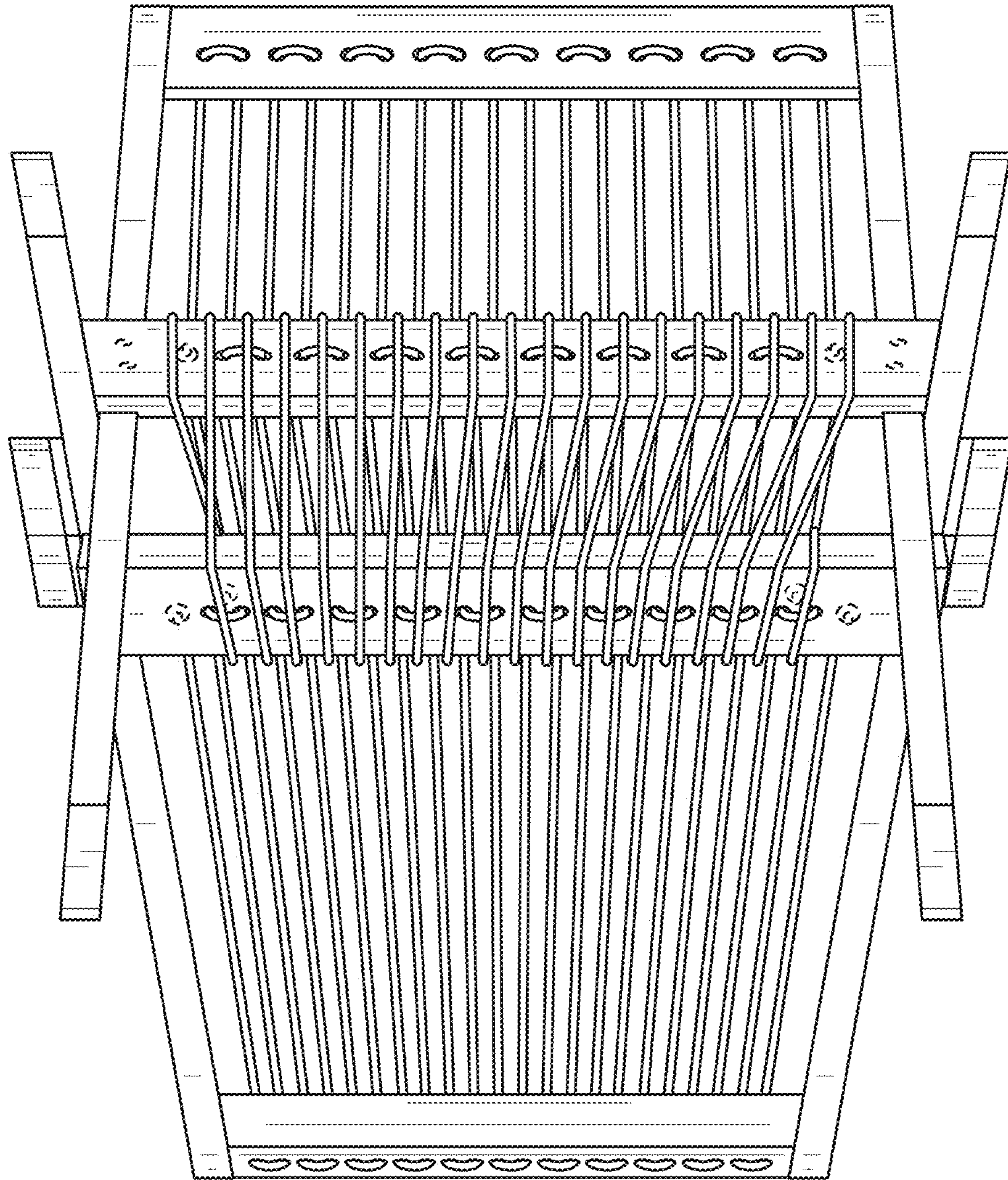


FIG. 8