



US00D945781S

(12) **United States Design Patent**  
**Levy et al.**

(10) **Patent No.:** **US D945,781 S**  
(45) **Date of Patent:** **\*\* Mar. 15, 2022**

(54) **ROOM DIVIDER**

- (71) Applicant: **NPS Public Furniture Corp.**, Clifton, NJ (US)
- (72) Inventors: **Elliot Levy**, Passaic, NJ (US);  
**Alexander Crudo**, Hoboken, NJ (US)
- (73) Assignee: **NPS Public Furniture Corp.**, Clifton, NJ (US)
- (\*\*) Term: **15 Years**

- (21) Appl. No.: **29/753,757**
- (22) Filed: **Oct. 1, 2020**
- (51) **LOC (13) Cl.** ..... **06-06**
- (52) **U.S. Cl.**  
USPC ..... **D6/332**
- (58) **Field of Classification Search**  
USPC ..... D6/332  
CPC ..... E04B 2/7405; E04B 2/74; E04B 2/7416;  
E04B 2/7433; E04B 2002/7498  
See application file for complete search history.

(56) **References Cited**

**U.S. PATENT DOCUMENTS**

D422,796 S *	4/2000	Milligan	.....	D6/332
D669,693 S *	10/2012	Goranson	.....	D6/332
2002/0108330 A1 *	8/2002	Yu	.....	E04B 2/7433
				52/238.1
2003/0047292 A1 *	3/2003	Fritsche	.....	E04B 2/78
				160/135

**OTHER PUBLICATIONS**

“Screenflex Standard Room Divider” Retrieved from Internet: URL: <https://www.accordion-doors.com/product/screenflex-standard-room-divider/>, Sep. 21, 2020.

\* cited by examiner

*Primary Examiner* — Doris Clark

(74) *Attorney, Agent, or Firm* — Weiss & Arons LLP

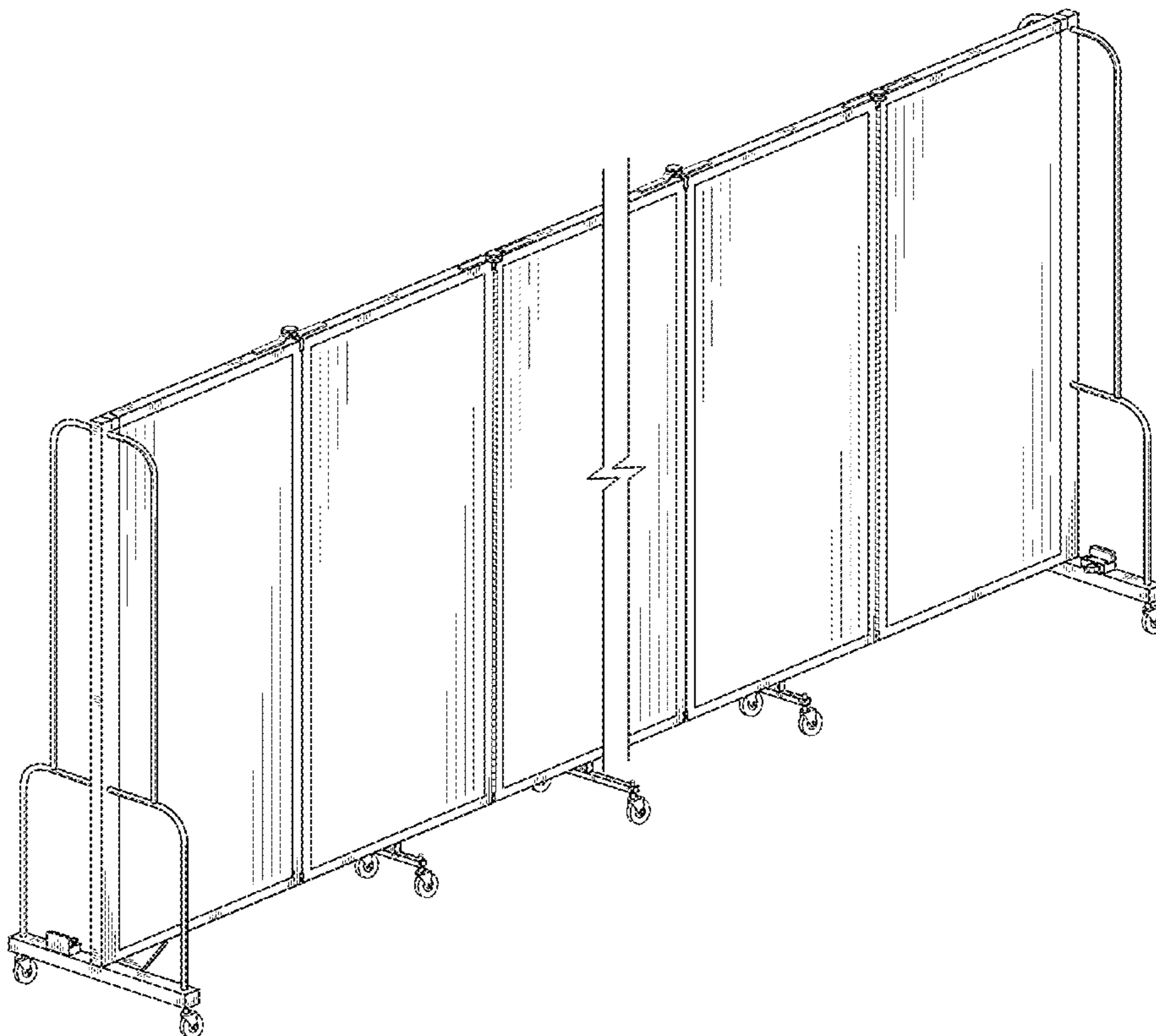
(57) **CLAIM**

The ornamental design for a room divider, as shown and described.

**DESCRIPTION**

FIG. 1 is a perspective view of a room divider showing our new design;  
 FIG. 2 is a front view thereof;  
 FIG. 3 is a back view thereof;  
 FIG. 4 is a side view thereof;  
 FIG. 5 is another side view thereof;  
 FIG. 6 is a top view thereof; and,  
 FIG. 7 is a bottom view thereof.

**1 Claim, 5 Drawing Sheets**



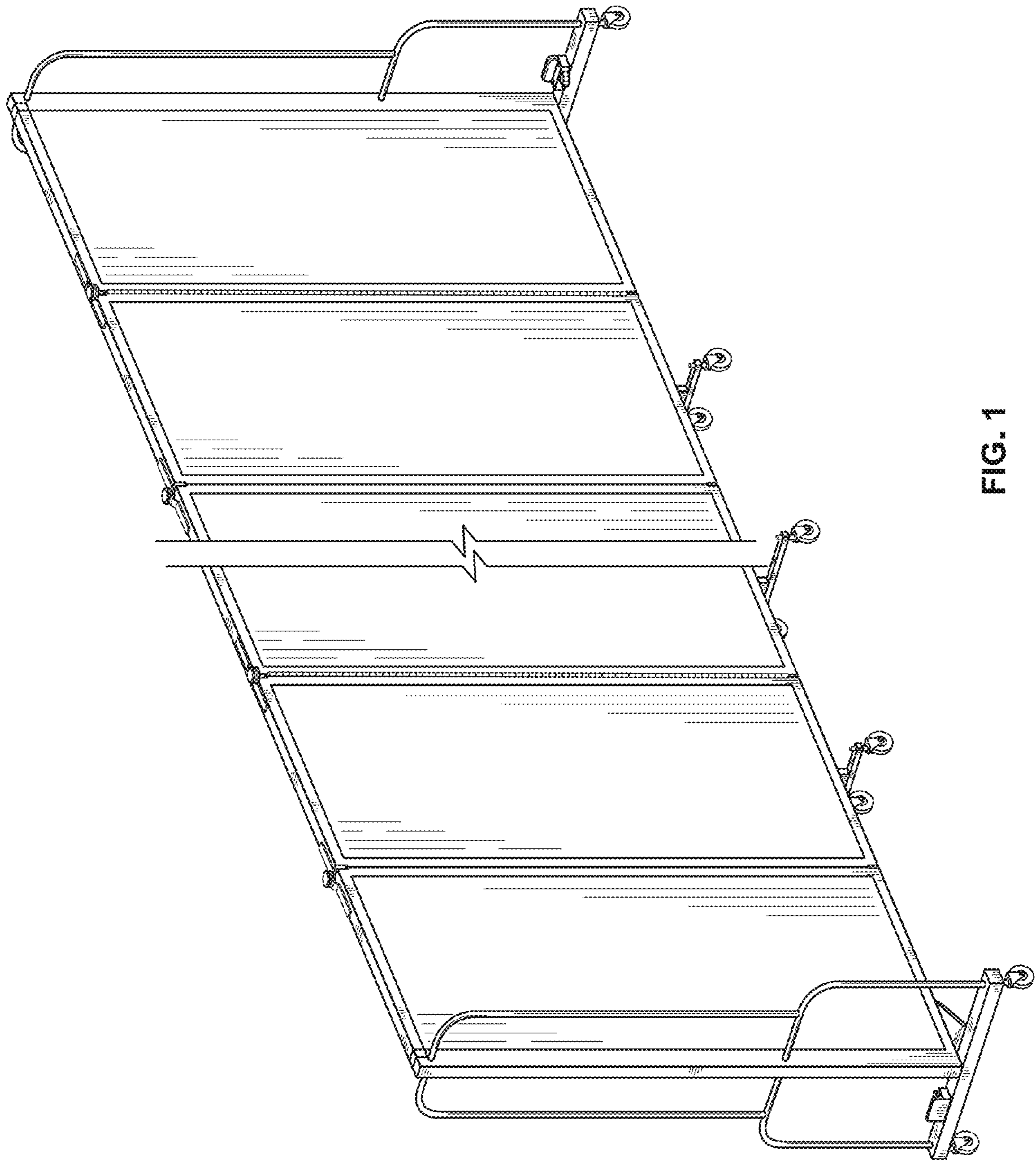


FIG. 1

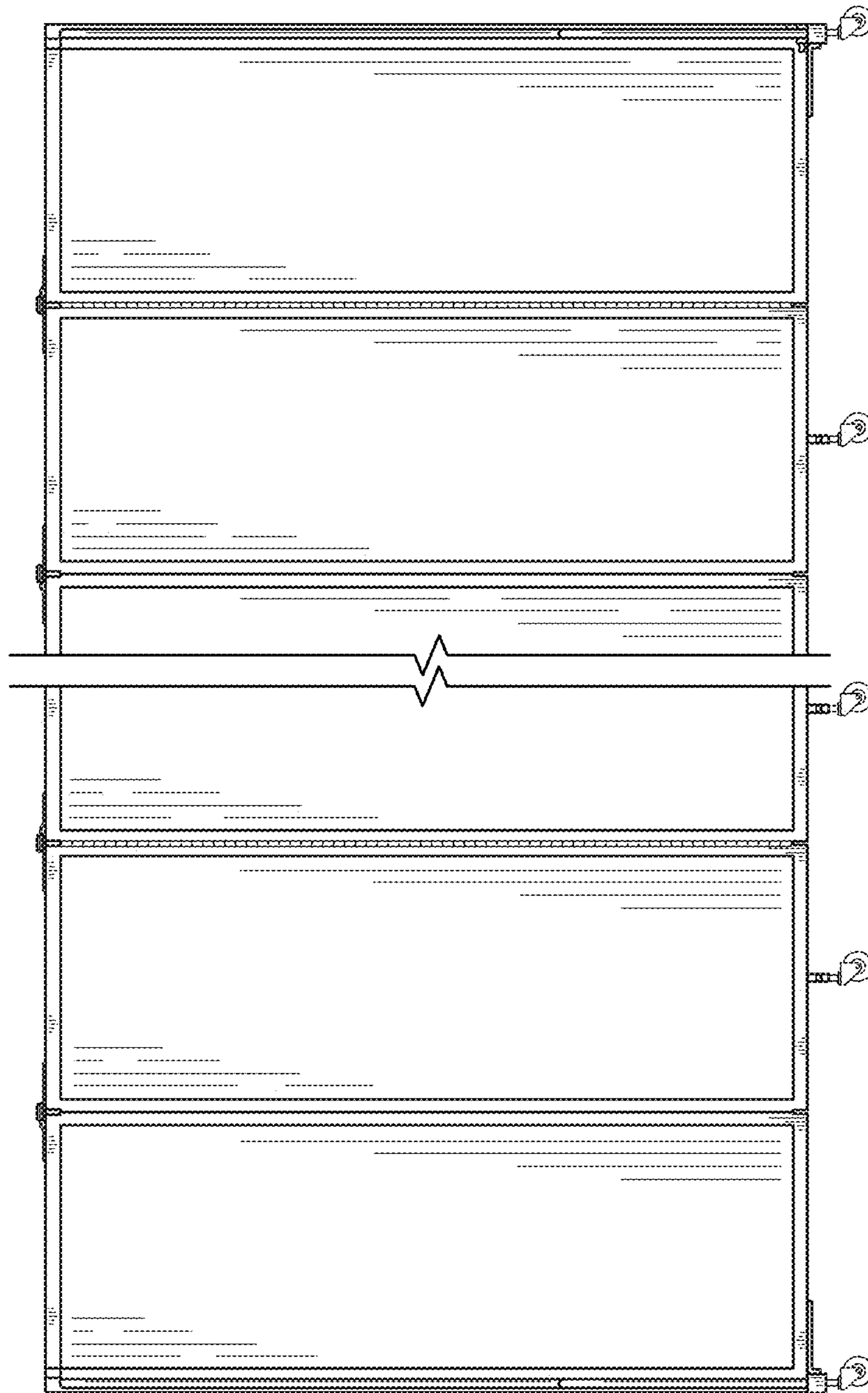


FIG. 2

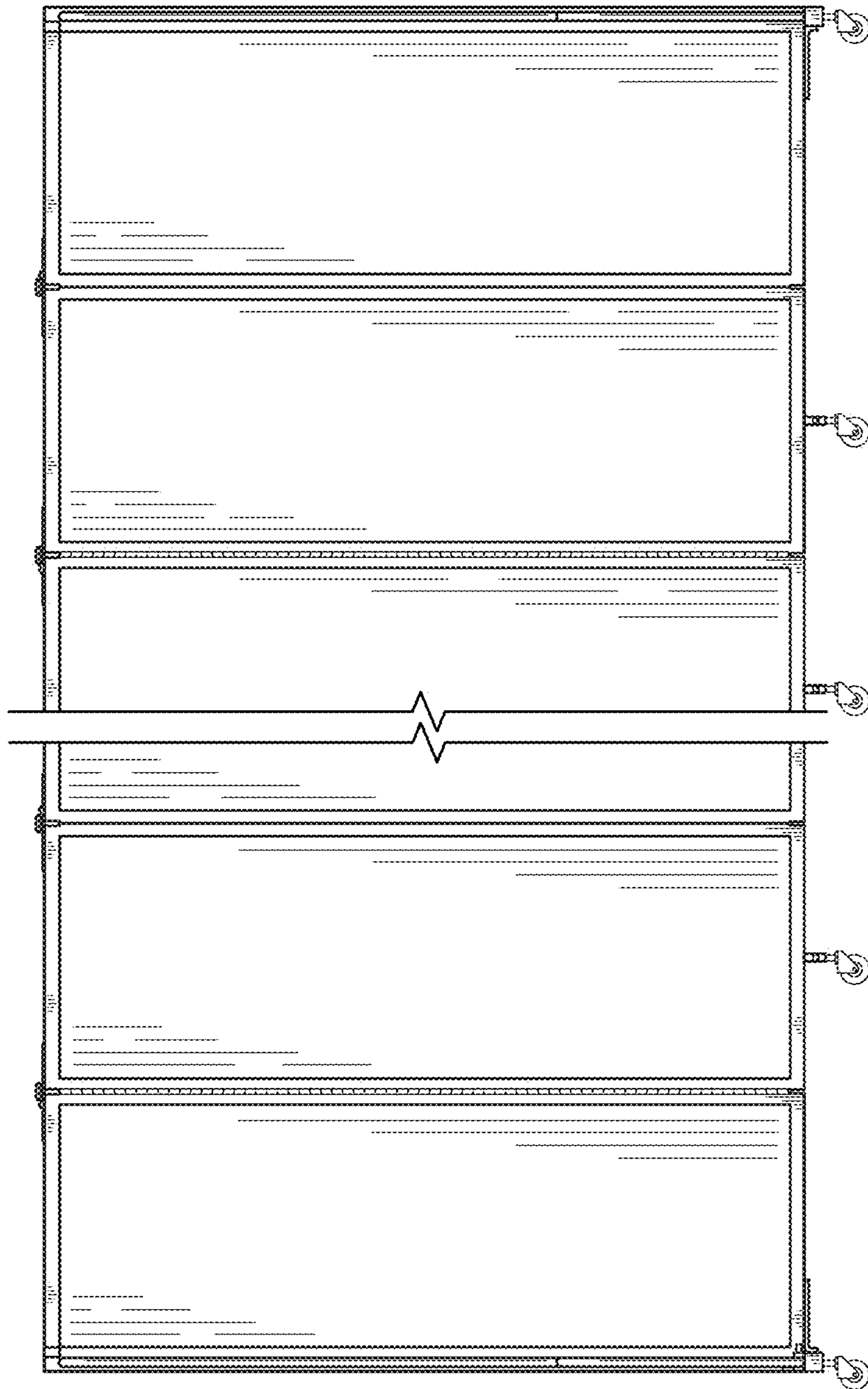


FIG. 3

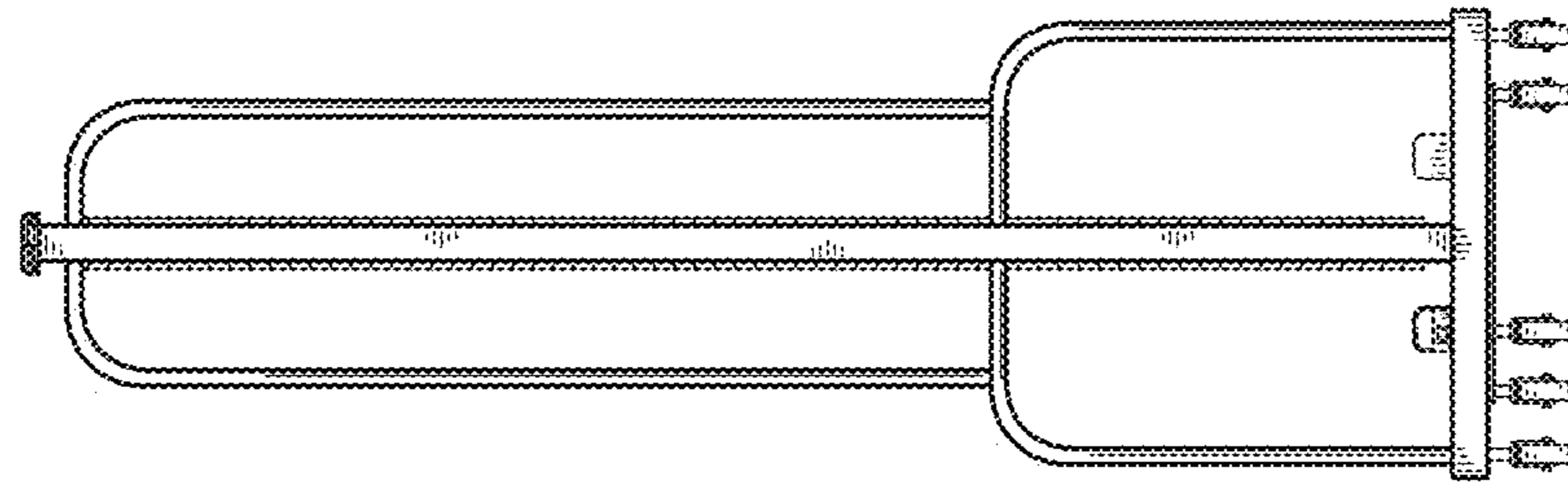


FIG. 5

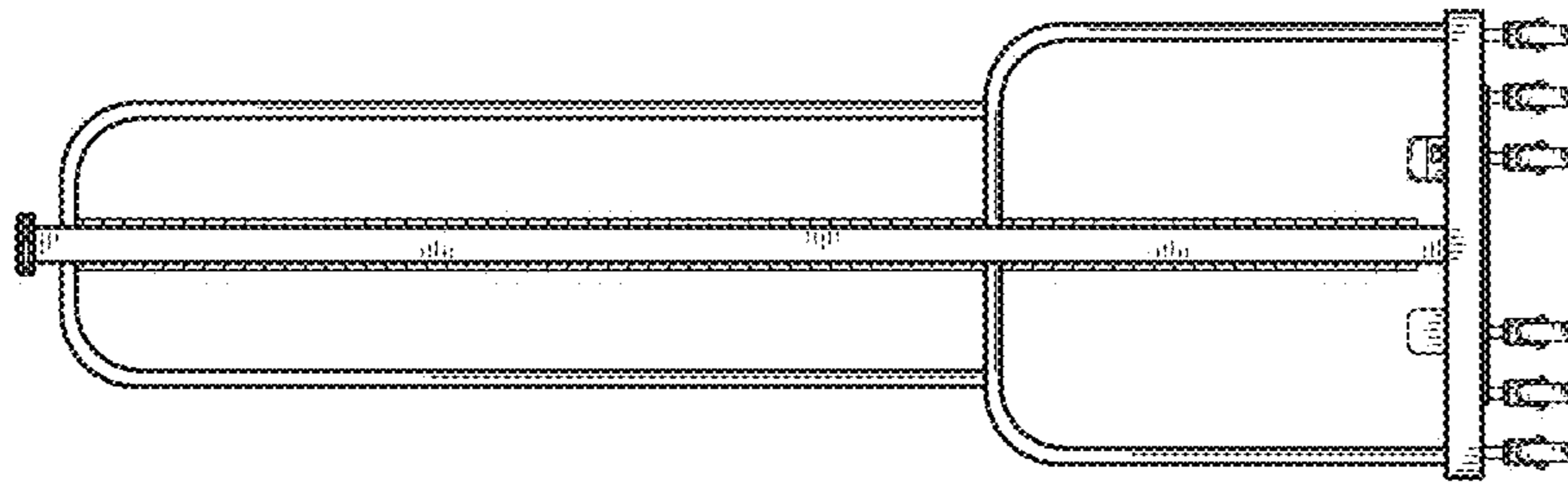


FIG. 4

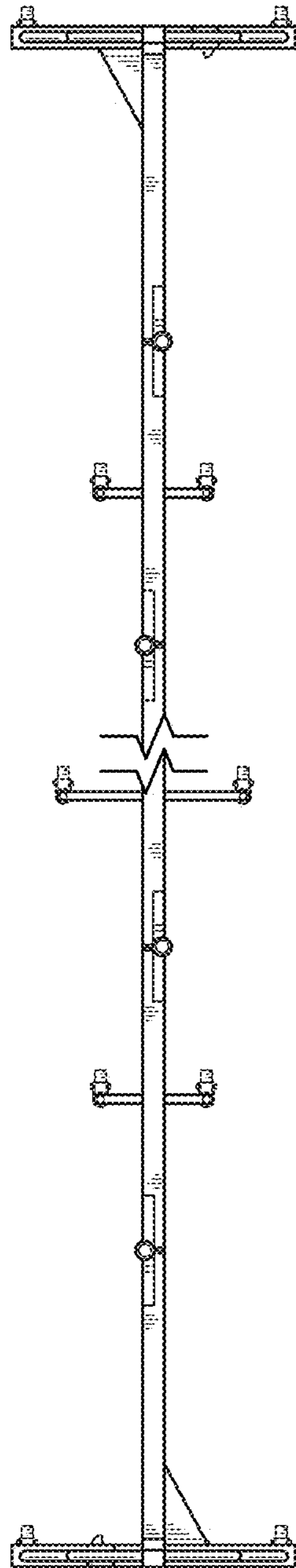


FIG. 6

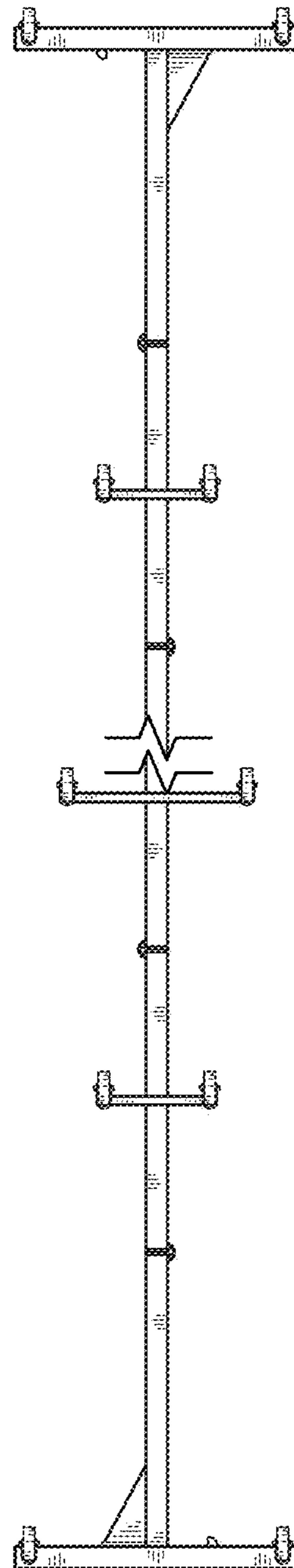


FIG. 7