



US00D945780S

(12) **United States Design Patent**
Liu

(10) **Patent No.:** **US D945,780 S**
(45) **Date of Patent:** **** Mar. 15, 2022**

(54) **MIRROR**

FOREIGN PATENT DOCUMENTS

(71) Applicant: **Wendong Liu**, Shenzhen (CN)

CN 306836239 * 9/2021

(72) Inventor: **Wendong Liu**, Shenzhen (CN)

* cited by examiner

(**) Term: **15 Years**

Primary Examiner — Deanna L Pratt

(21) Appl. No.: **29/763,885**

(22) Filed: **Dec. 25, 2020**

(51) **LOC (13) Cl.** **06-06**

(52) **U.S. Cl.**
USPC **D6/309**

(58) **Field of Classification Search**
USPC D6/300–314
CPC A47G 1/00; A47G 2001/002; A45D 42/10;
F21V 33/004
See application file for complete search history.

(57) **CLAIM**

The ornamental design for a mirror, as shown and described.

DESCRIPTION

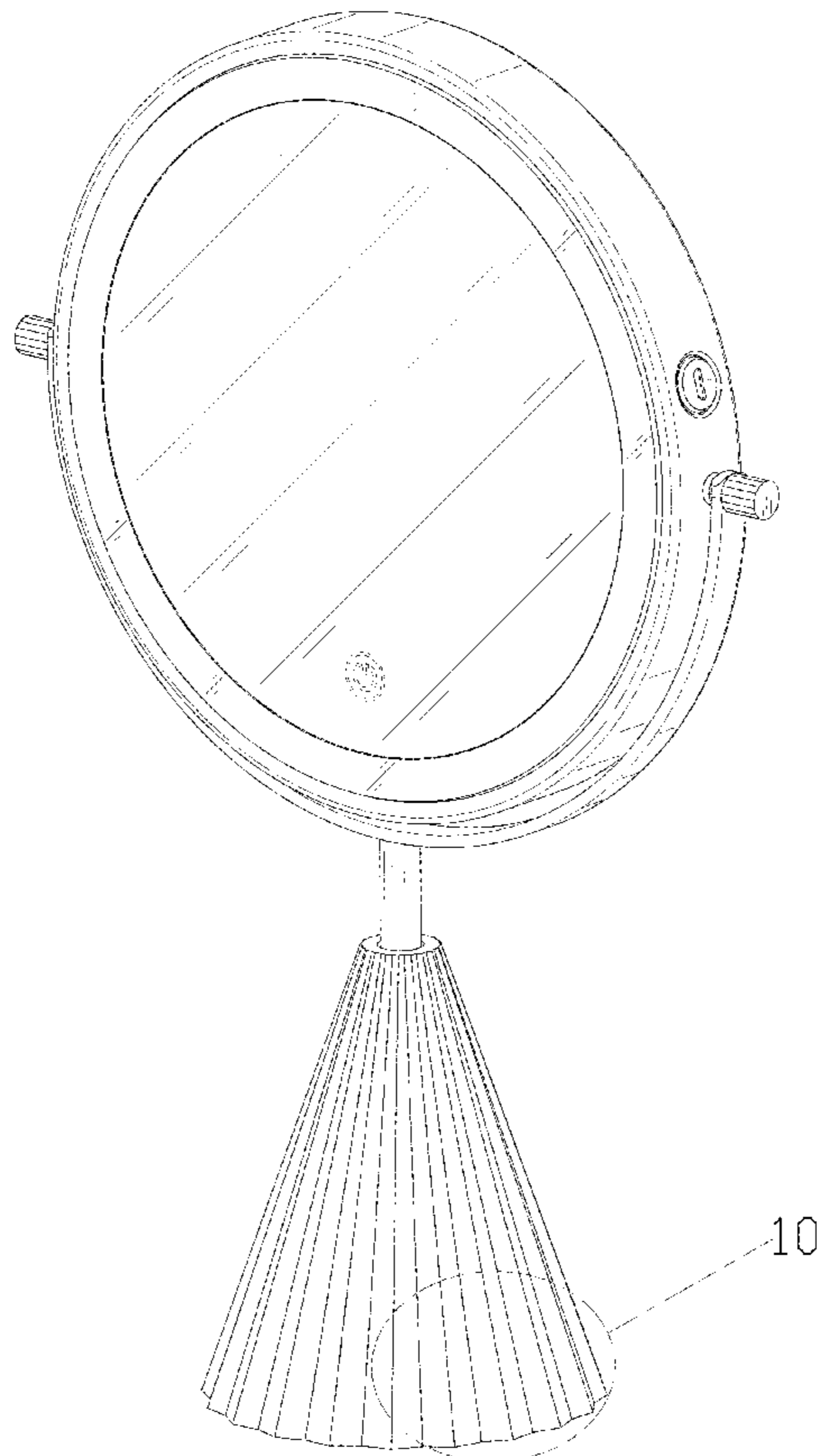
FIG. 1 is a perspective view of a mirror showing my new design;
FIG. 2 is another perspective view thereof;
FIG. 3 is a front elevational view thereof;
FIG. 4 is a rear elevational view thereof;
FIG. 5 is a left side elevational view thereof;
FIG. 6 is a right side elevational view thereof;
FIG. 7 is a top plan view thereof;
FIG. 8 is a bottom plan view thereof;
FIG. 9 is a perspective view of the mirror where the mirror is in a configuration of use; and,
FIG. 10 is an enlarged view of portion 10 shown in FIG. 1. The broken lines in the drawings depict portions of the mirror that form no part of the claimed design.

(56) **References Cited**

U.S. PATENT DOCUMENTS

D394,161 S *	5/1998	Tsui	D6/310
D642,811 S *	8/2011	Lewis	D6/309
D897,694 S *	10/2020	Lin	D6/309
D898,383 S *	10/2020	Zhou	D6/300
D898,387 S *	10/2020	Yang	D6/309
D902,607 S	11/2020	Liu		
D905,442 S	12/2020	Yang		
D927,864 S *	8/2021	Yang	D6/309
2019/0003699 A1 *	1/2019	Mondora	A45D 42/10

1 Claim, 10 Drawing Sheets



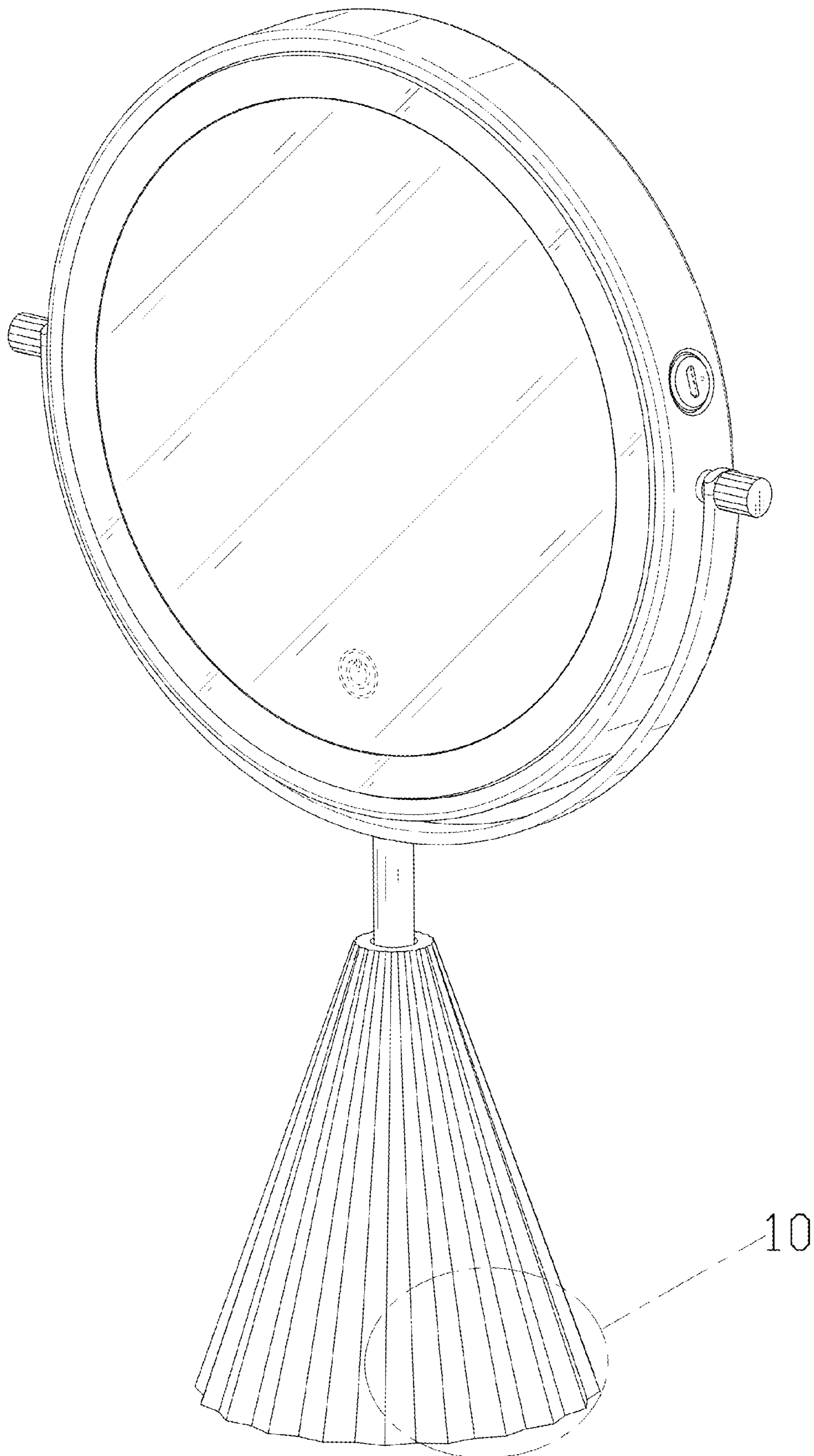


FIG. 1

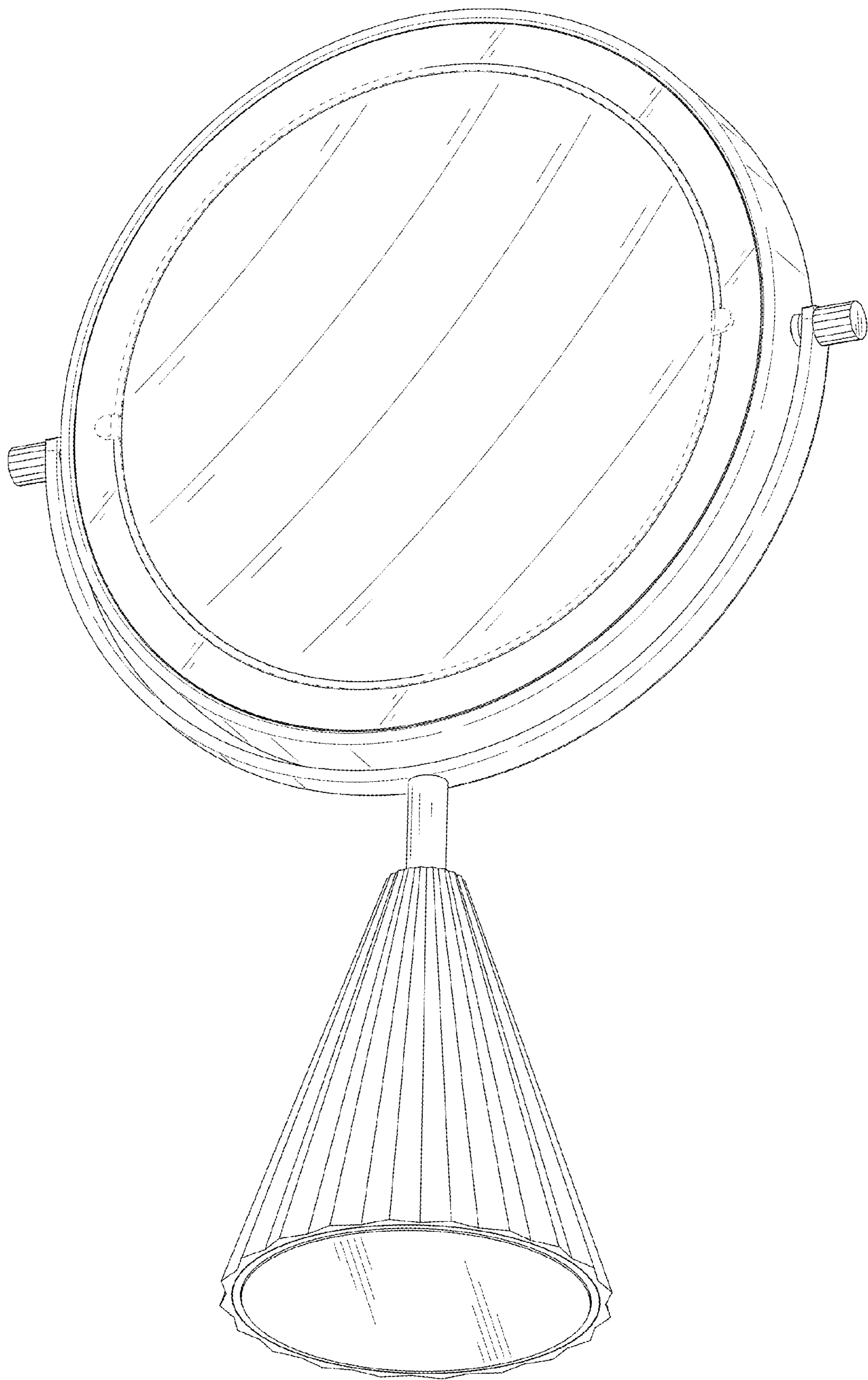


FIG. 2

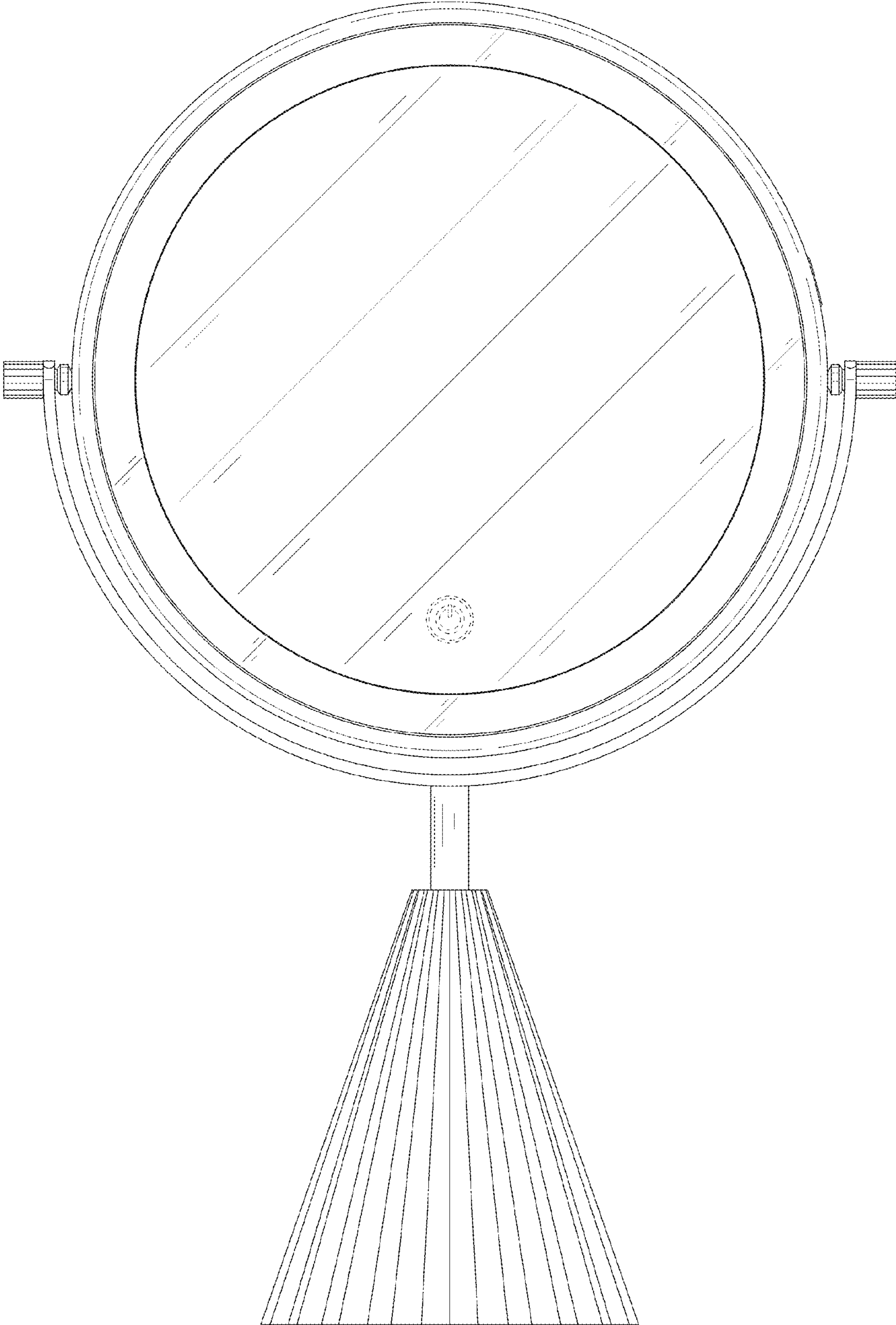


FIG. 3

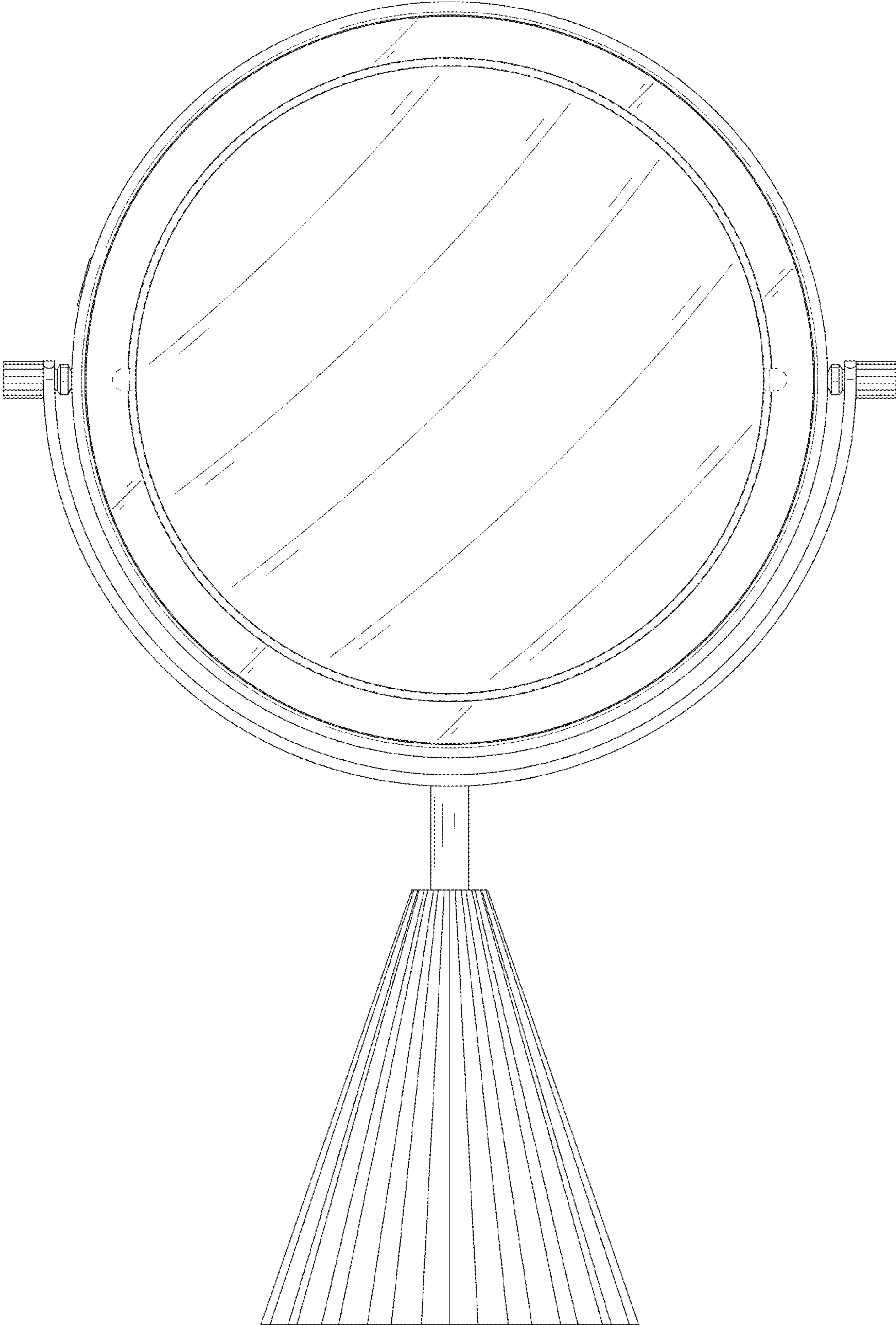


FIG. 4

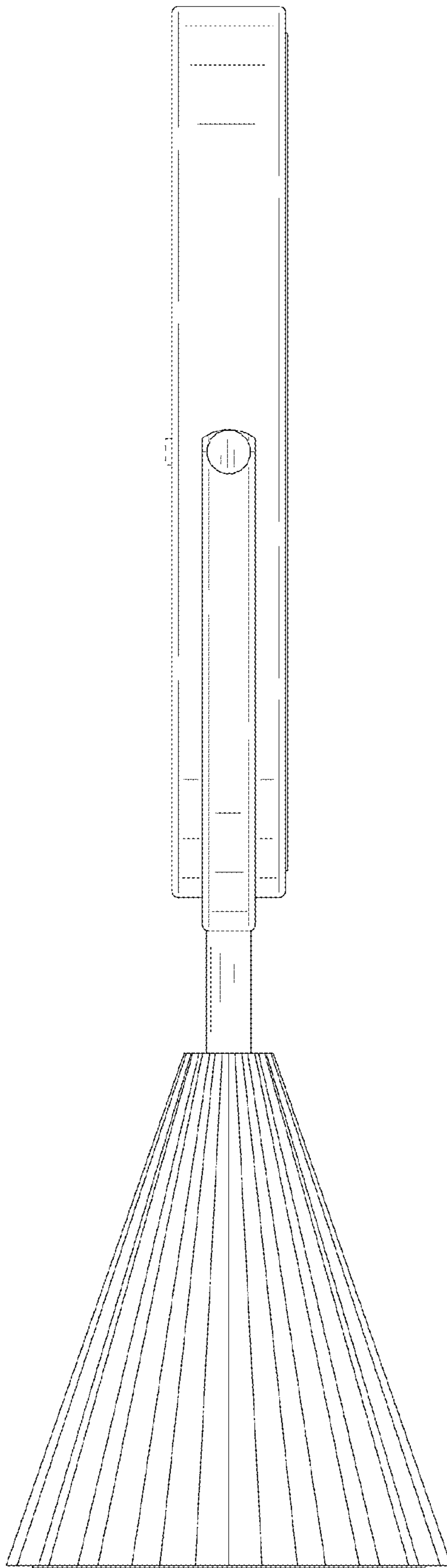


FIG. 5

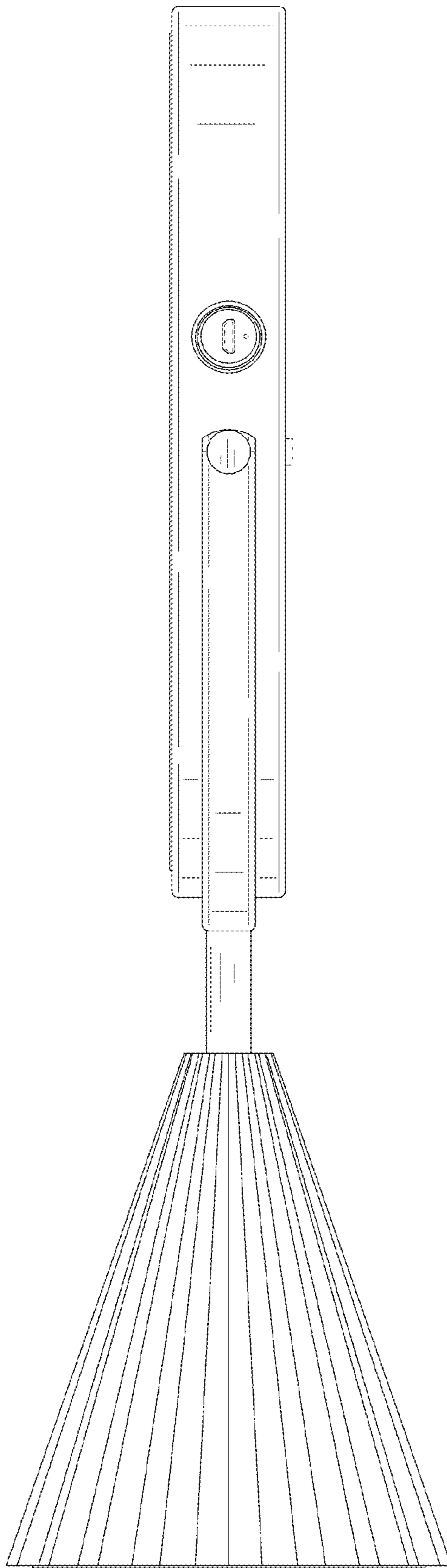


FIG. 6

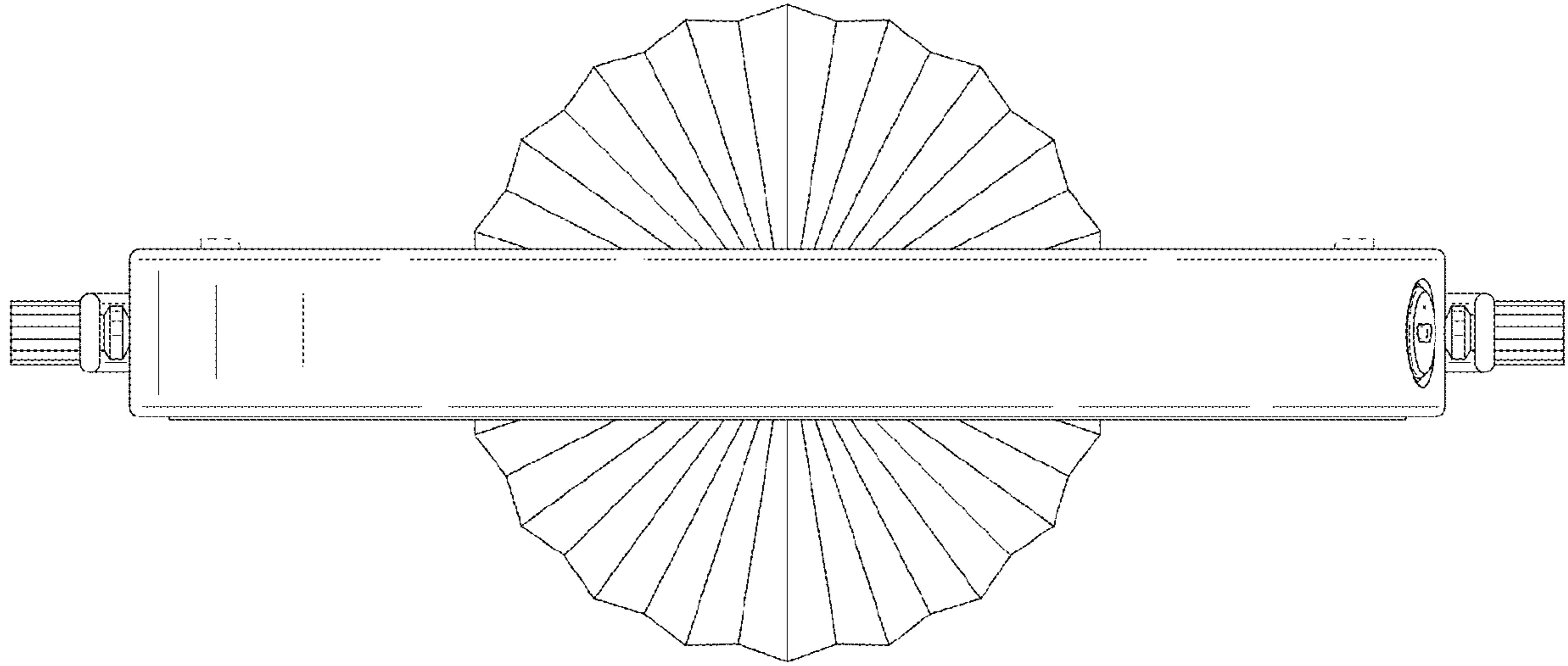


FIG. 7

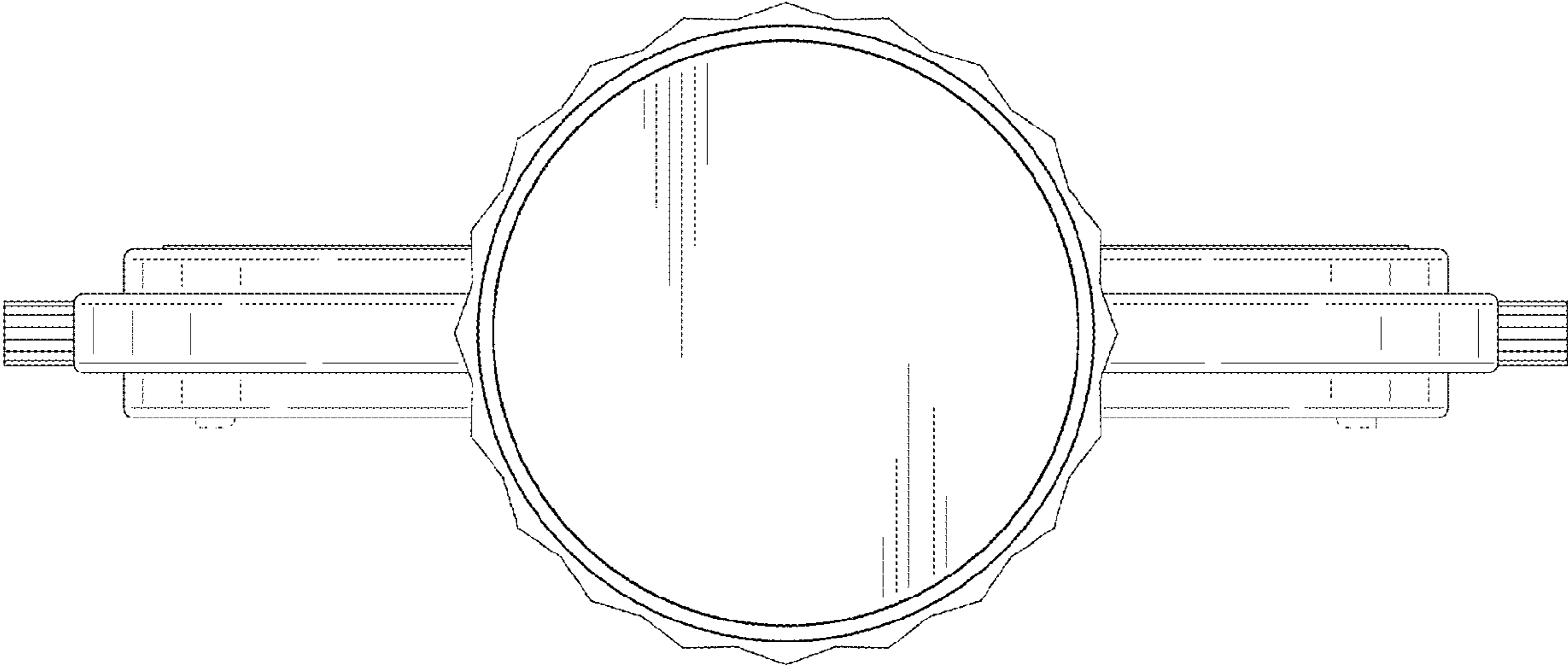


FIG. 8

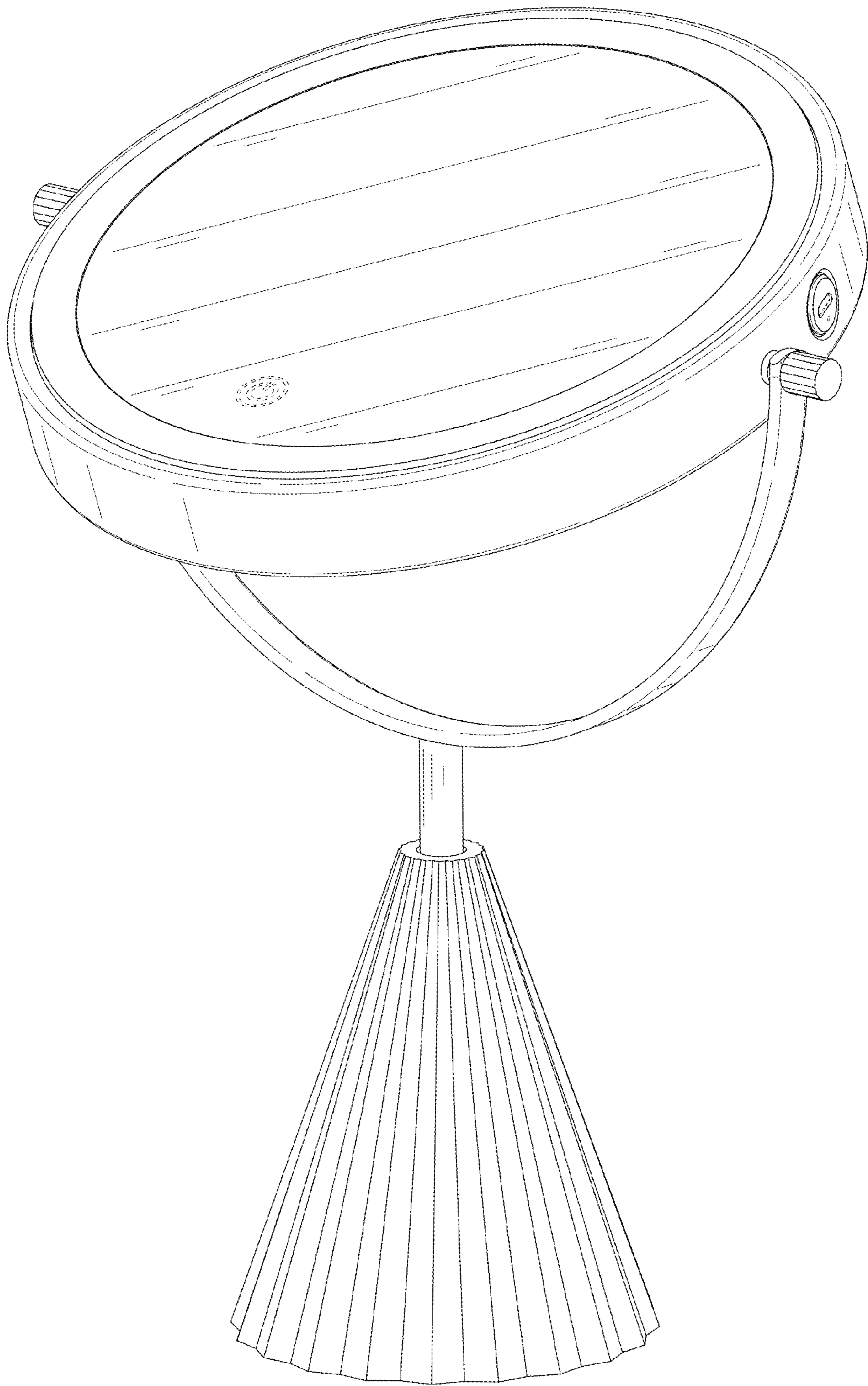


FIG. 9

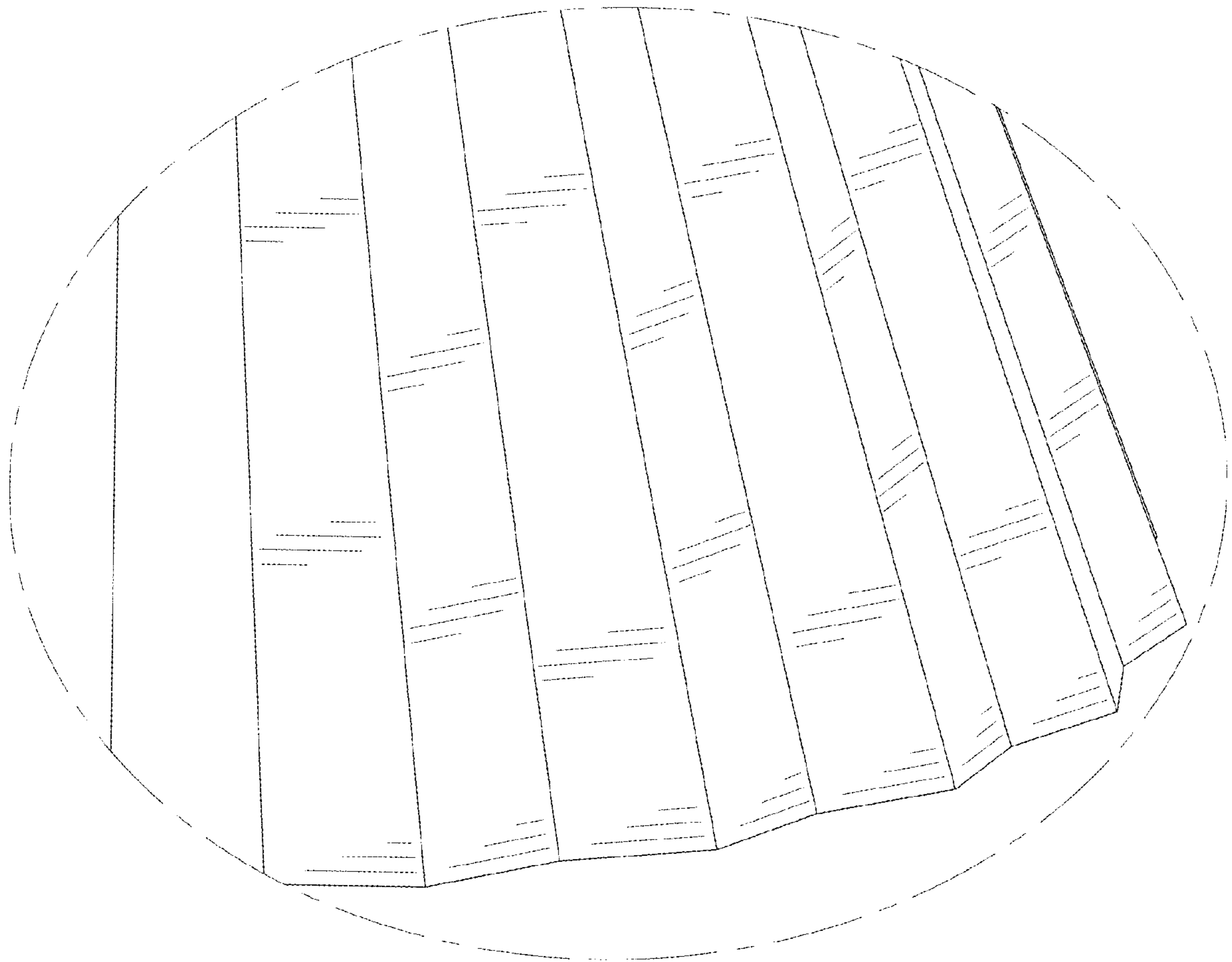


FIG. 10