



US00D945779S

(12) **United States Design Patent**
Bucknall

(10) **Patent No.: US D945,779 S**
(45) **Date of Patent: ** Mar. 15, 2022**

(54) **MIRROR**

(71) Applicant: **Cristin Bucknall**, Tweed Heads (AU)

(72) Inventor: **Cristin Bucknall**, Tweed Heads (AU)

(**) Term: **15 Years**

(21) Appl. No.: **29/724,523**

(22) Filed: **Feb. 17, 2020**

(51) **LOC (13) Cl.** **06-07**

(52) **U.S. Cl.**

USPC **D6/309**; D6/566

(58) **Field of Classification Search**

USPC D6/300, 301, 302, 303, 304, 307, 308,
D6/309, 310, 311, 312, 313, 314, 525,
D6/553, 566, 570-572, 672;
D28/64.1-64.7

CPC A45D 42/00; A45D 42/10; A45D 42/16;
A45D 42/20; A45D 42/24; A47G 1/00;
A47G 1/02; A47G 1/04; A47G 1/0622;
B60J 3/0282

See application file for complete search history.

(56) **References Cited**

U.S. PATENT DOCUMENTS

D355,841 S	*	2/1995	Goodman	D6/320
D483,574 S	*	12/2003	Wanek	D6/309
D529,724 S	*	10/2006	Mohundro	D6/309
D534,359 S	*	1/2007	Mayer	D6/309
D546,609 S	*	7/2007	Goodman	D6/566
D553,408 S	*	10/2007	Kubota	D6/553
D562,571 S	*	2/2008	Pitot	D6/309
D566,974 S	*	4/2008	Lee	D6/300
D680,755 S	*	4/2013	Gilboe	D6/309
D688,883 S	*	9/2013	Gilboe	D6/309
D689,701 S	*	9/2013	Mischel, Jr	D6/309
D923,946 S	*	7/2021	Flaig	D6/309

FOREIGN PATENT DOCUMENTS

CN 305437834 * 5/2019

OTHER PUBLICATIONS

Aimee mirror [online], [site visited Aug. 26, 2021]. Available from internet, URL: <<https://www.urbanoutfitters.com/shop/aimee-jewelry-storage-hanging-mirror> category=SEARCHRESULTS&color=027&searchparams=q%3DAimee%2520Jewelry%2520Storage%2520Hanging%2520Mirror&type=REGULAR&size=ONE%20SIZE&quantity=1> (Year: 2017).*

MyGift 19-Hook Round Brass Toned Metal Wall Mounted Jewelry Display [online], [site visited Aug. 26, 2021]. Available from internet, URL: <https://www.amazon.com/MyGift-Mounted-Jewelry-Holder-Magnetic/dp/B07RG853J6/ref=sr_1_9?dchild=1&keywords=Five+Magpies&qid=1629974704&sr=8-9> (Year: 2019).*

Five Magpies Wall Jewelry Organizer Round Mirror [online], [site visited Aug. 26, 2021]. Available from internet, URL: <https://www.amazon.com/Five-Magpies-Organizer-Necklaces-Bracelets/dp/B07V3YTJHB/ref=cm_cr_arp_d_product_top?ie=UTF8> (Year: 2019).*

Jewelry Organizer Wall Mounted with Hooks and Mirror [online], [site visited Aug. 26, 2021]. Available from internet, URL: <<https://www.amazon.com/Jewelry-Organizer-Necklaces-Bracelets-Earrings/dp/B089GCQH11/>> (Year: 2020).*

* cited by examiner

Primary Examiner — Cynthia Ramirez

Assistant Examiner — Xavier Marti-Santos

(74) *Attorney, Agent, or Firm* — Rumit Ranjit Kanakia

(57) **CLAIM**

I claim the ornamental design for a mirror, as shown and described.

DESCRIPTION

FIG. 1 is a Perspective view of a mirror showing my new design;

FIG. 2 is another perspective view of the mirror thereof;

FIG. 3 is a left-side view thereof;

FIG. 4 is a Right-side view thereof;

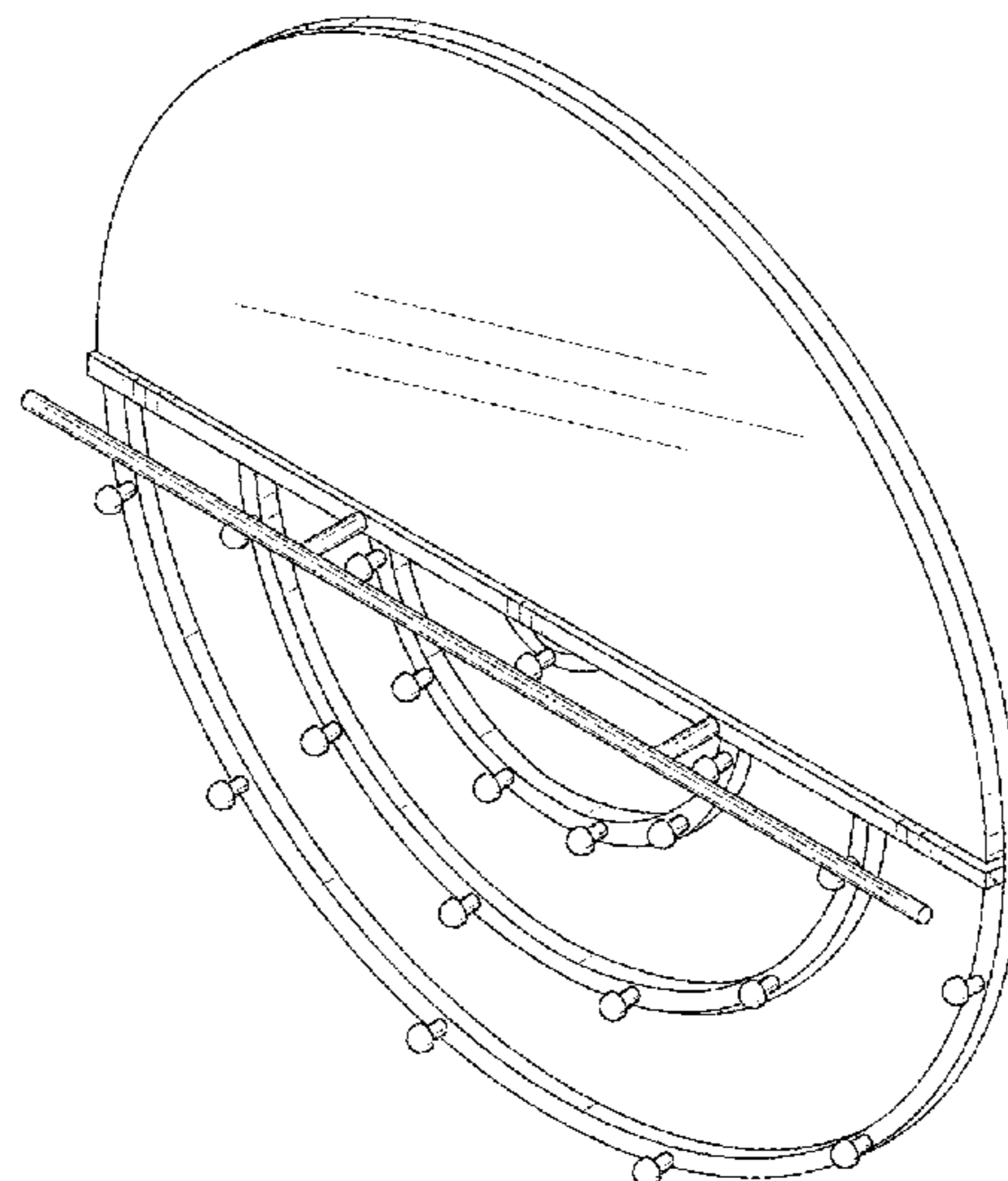
FIG. 5 is a front view thereof;

FIG. 6 is a back thereof;

FIG. 7 is a top view thereof; and,

FIG. 8 is a bottom view thereof.

1 Claim, 6 Drawing Sheets



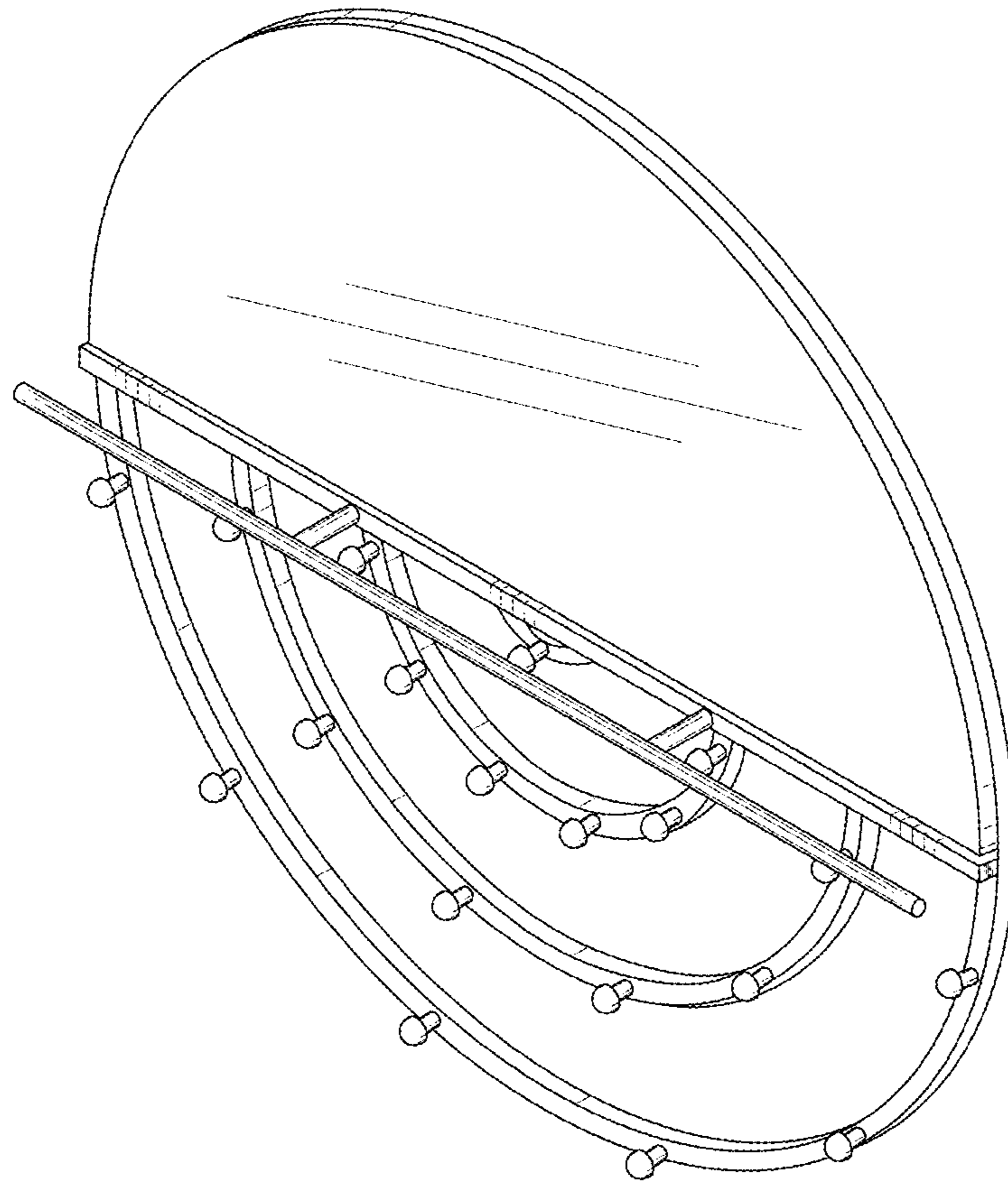


FIG. 1

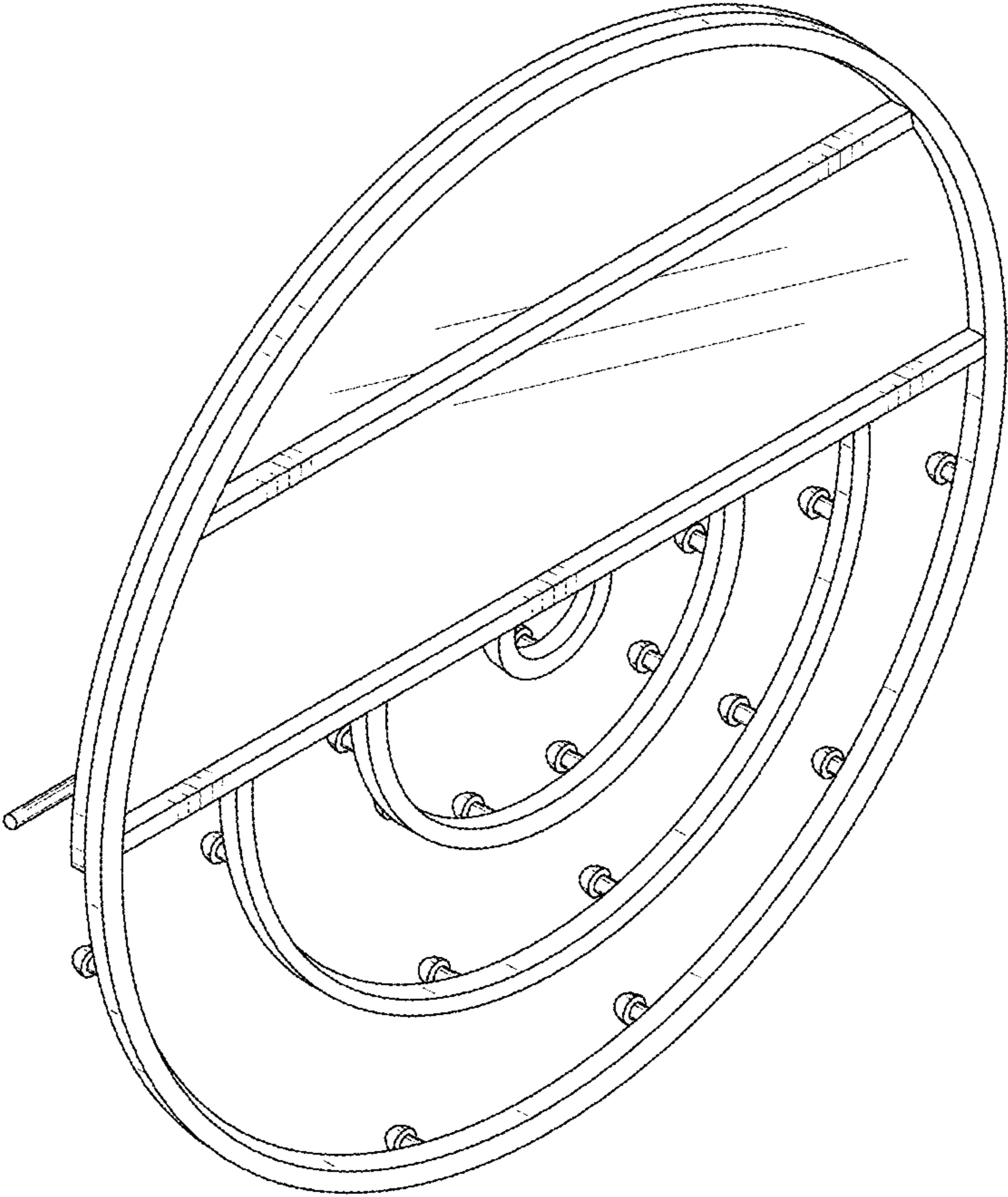


FIG. 2

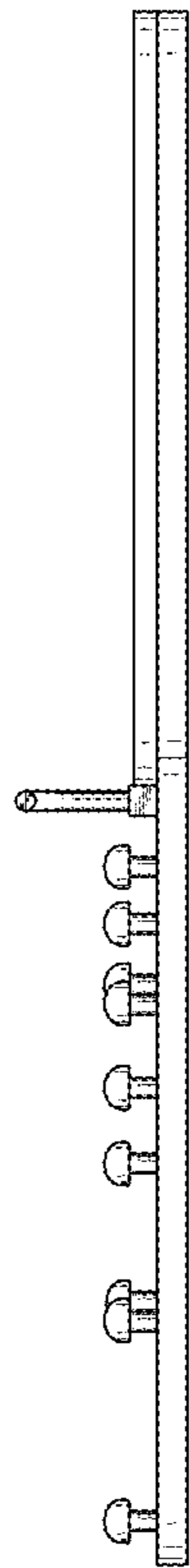


FIG. 3

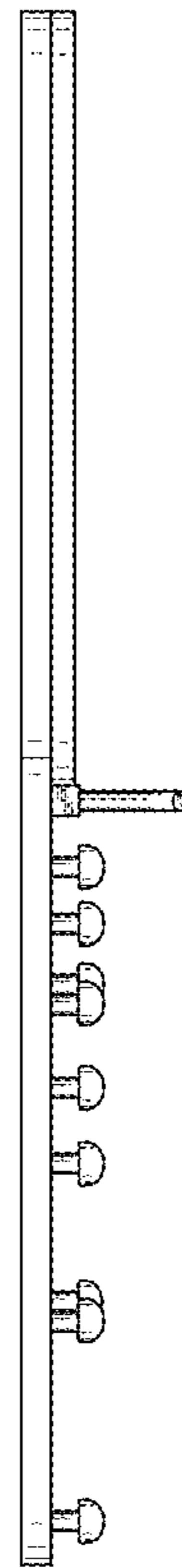


FIG. 4

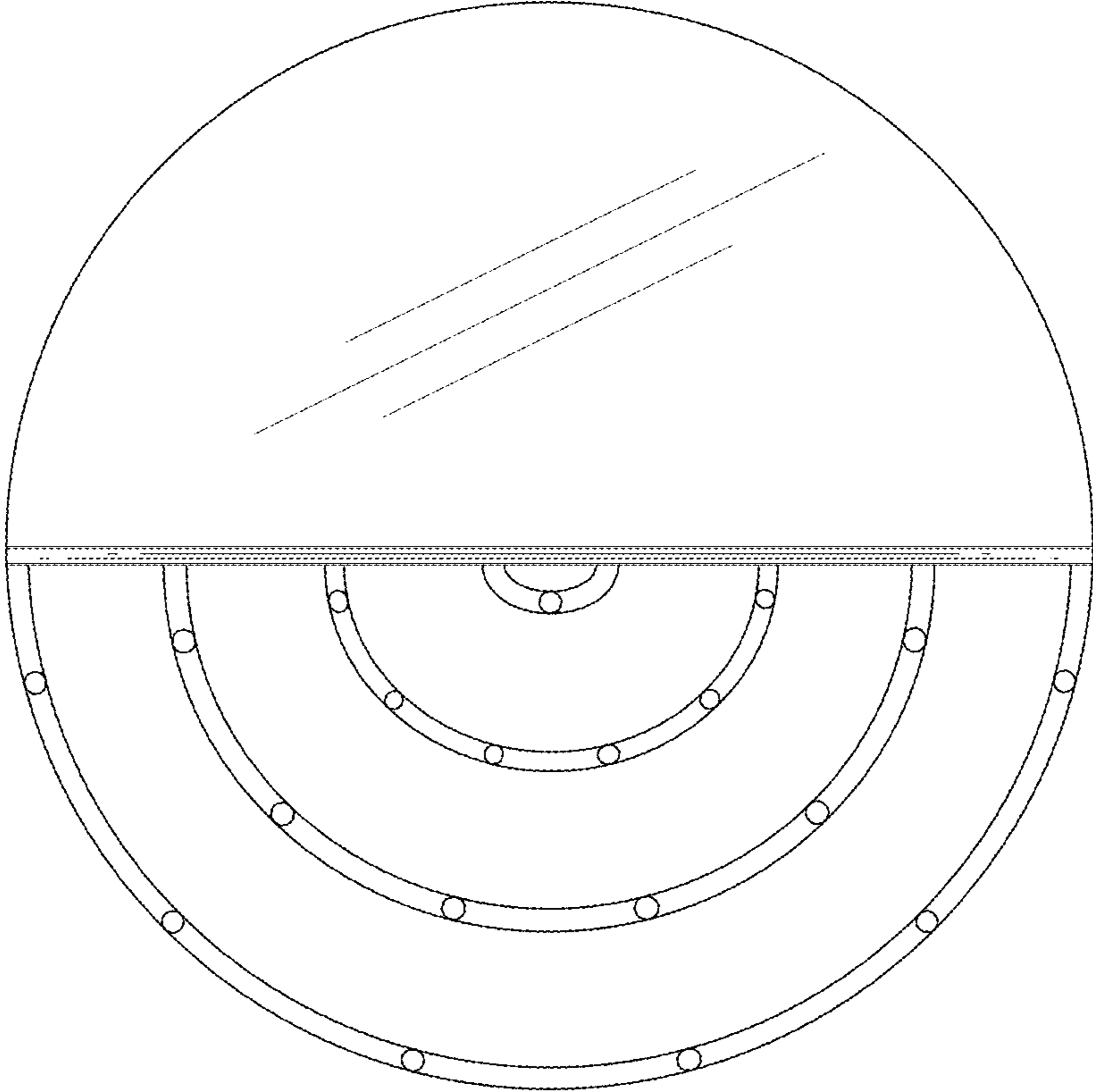


FIG. 5

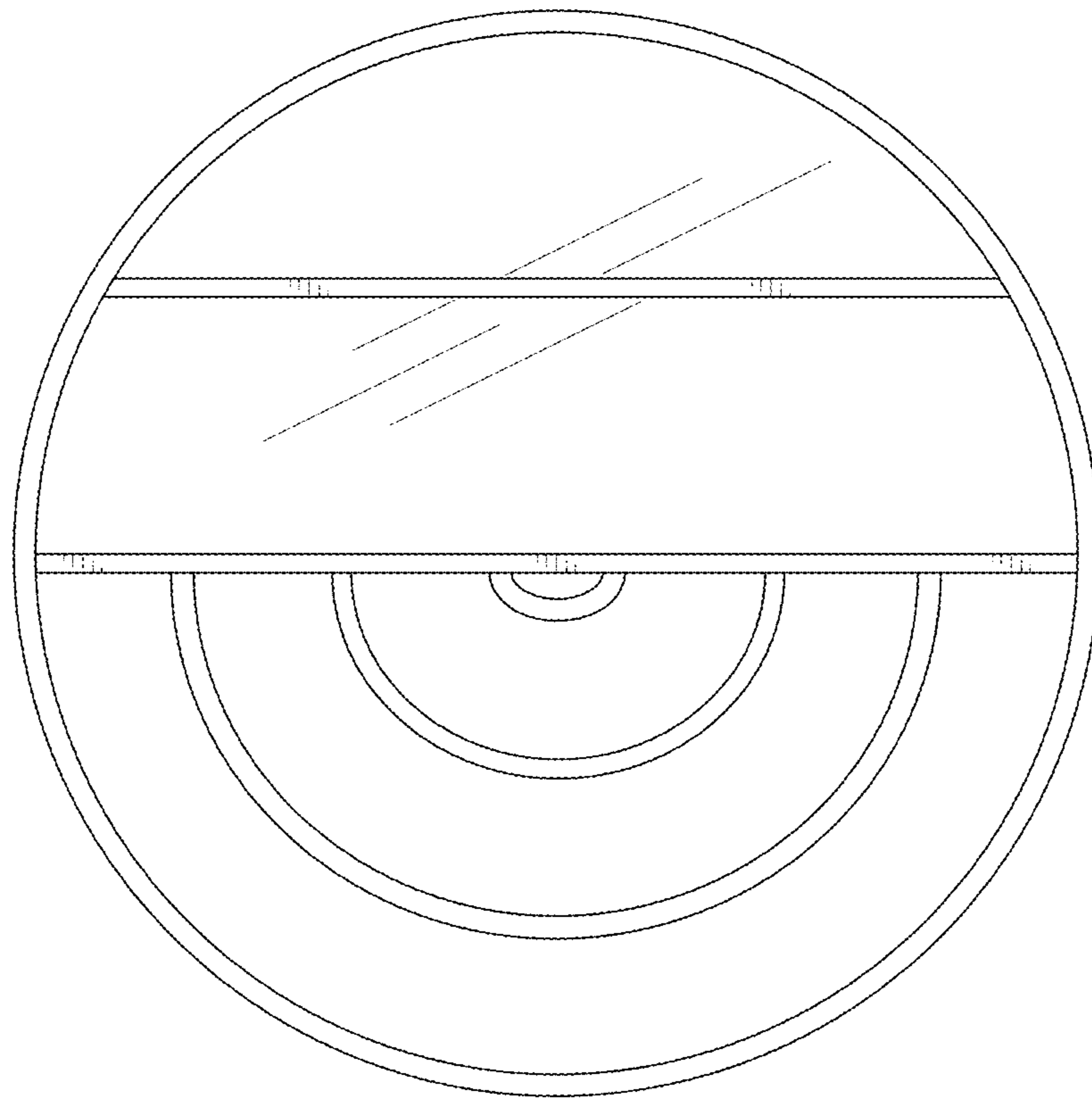


FIG. 6

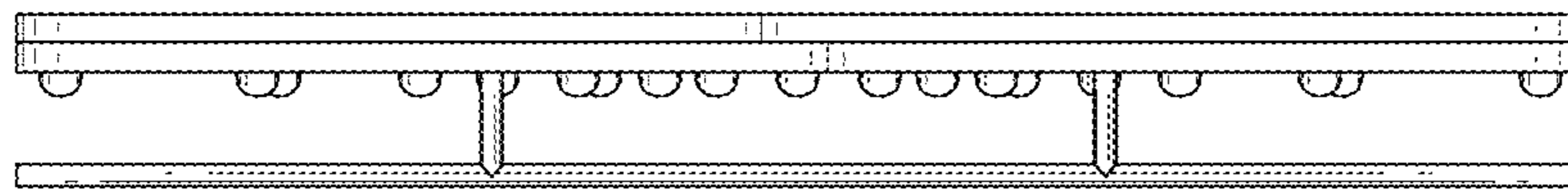


FIG. 7

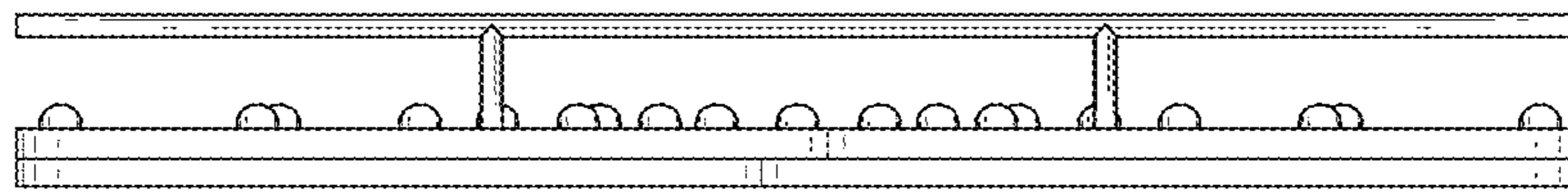


FIG. 8