



US00D945774S

(12) **United States Design Patent**
Zhao et al.

(10) **Patent No.:** **US D945,774 S**
(45) **Date of Patent:** **** Mar. 15, 2022**

(54) **ELECTRIC TOOTHBRUSH**

FOREIGN PATENT DOCUMENTS

(71) Applicant: **THUMBS UP CROSS BORDER
E-COMMERCE CO., LTD.**, Zhuhai
(CN)

CN 306859075 * 9/2021

(72) Inventors: **Yuqiang Zhao**, Zhuhai (CN); **Yubin Li**,
Zhuhai (CN); **Xiu Zou**, Zhuhai (CN);
Zhidong Wang, Zhuhai (CN); **Rongjin
Zheng**, Zhuhai (CN); **Lei Zhang**,
Zhuhai (CN); **Fen He**, Zhuhai (CN);
Jiacheng Huang, Zhuhai (CN)

OTHER PUBLICATIONS

Goby Brush, announced Sep. 2017 [online], [site visited Oct. 18,
2021], Available from internet, URL: <https://www.goby.co/brush-kits/monochrome/rose> (Year: 2017).*

Oral-B Brush, announced 2021 [online], [site visited Oct. 18, 2021],
Available from internet, URL: https://www.amazon.com/Rechargeable-Electric-Toothbrush-Powered-Refills/dp/B01GTPAQ4Y/ref=sr_1_33?dchild=1&keywords=rotating+head+toothbrush&qid=1634589990&sr=8-33 (Year: 2021).*

(73) Assignee: **THUMBS UP CROSS BORDER
E-COMMERCE CO., LTD.**, Zhuhai
(CN)

* cited by examiner

(**) Term: **15 Years**

Primary Examiner — George A Bugg
Assistant Examiner — Tamara L Hahn

(21) Appl. No.: **29/722,040**

(74) *Attorney, Agent, or Firm* — Law Offices of Steven
W. Weinrieb

(22) Filed: **Jan. 24, 2020**

(57) **CLAIM**

(51) **LOC (13) Cl.** **04-02**

The ornamental design for an electric toothbrush, as shown
and described.

(52) **U.S. Cl.**

USPC **D4/101**

DESCRIPTION

(58) **Field of Classification Search**

USPC D4/100–113; D24/176, 181
CPC A46B 2200/1066; A46B 2200/1073; A46B
2200/1086; A46B 9/04; A46B 13/023;
A46B 5/0095

See application file for complete search history.

FIG. 1 is a front, right side, top perspective view of an
electric toothbrush showing my new design;
FIG. 2 is a rear, left side, bottom perspective view thereof;
FIG. 3 is a front elevational view thereof;
FIG. 4 is a rear elevational view thereof;
FIG. 5 is a left side elevational view thereof;
FIG. 6 is a right side elevational view thereof;
FIG. 7 is a top plan view thereof; and,
FIG. 8 is a bottom plan view thereof.

The broken lines depict portions of the electric toothbrush
that form no part of the claimed design.

(56) **References Cited**

U.S. PATENT DOCUMENTS

D861,351 S * 10/2019 Albay D4/101
D922,075 S * 6/2021 Yuan D4/101
2014/0310900 A1 * 10/2014 Curry A46B 15/0006
15/167.1

1 Claim, 8 Drawing Sheets



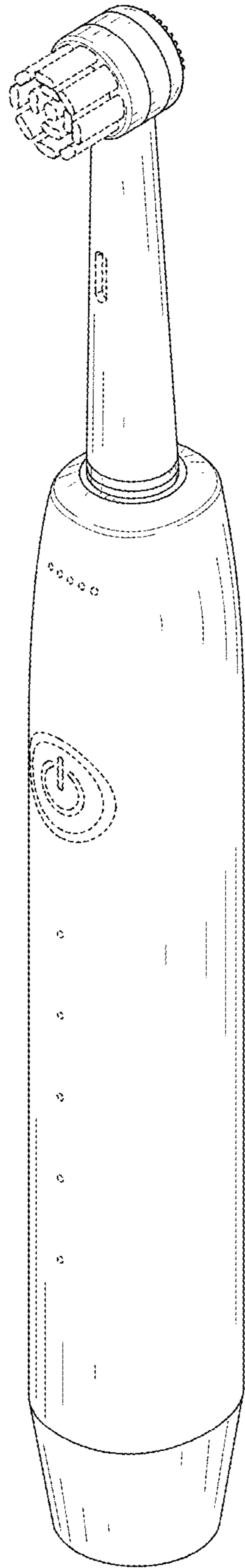


FIG. 1

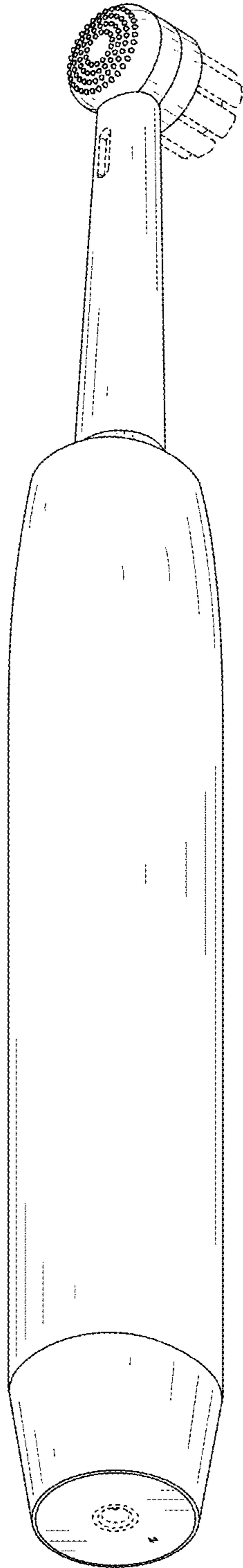


FIG. 2

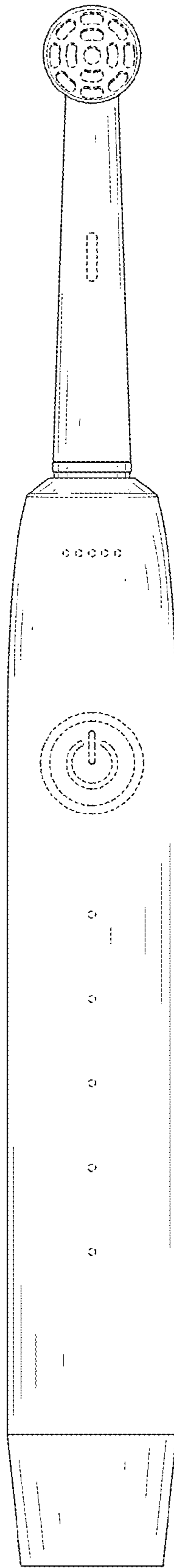


FIG. 3

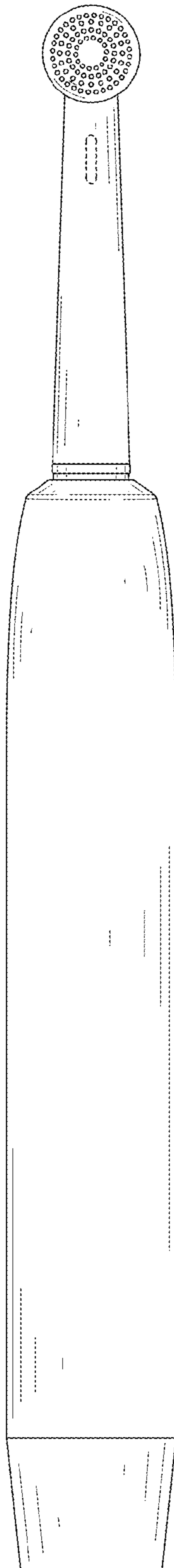


FIG. 4

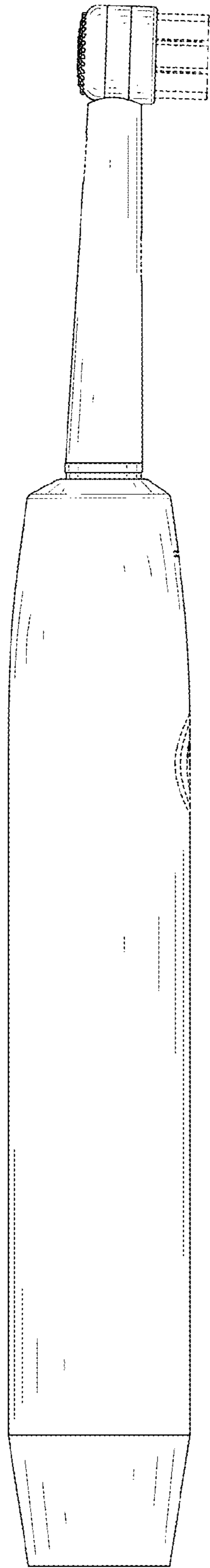


FIG. 5

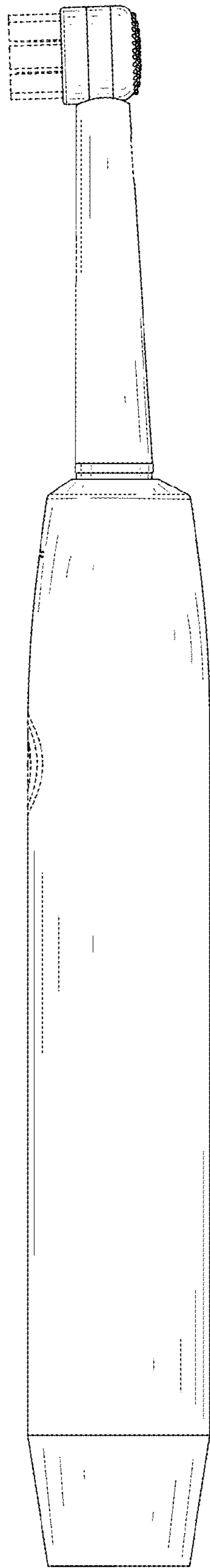


FIG. 6

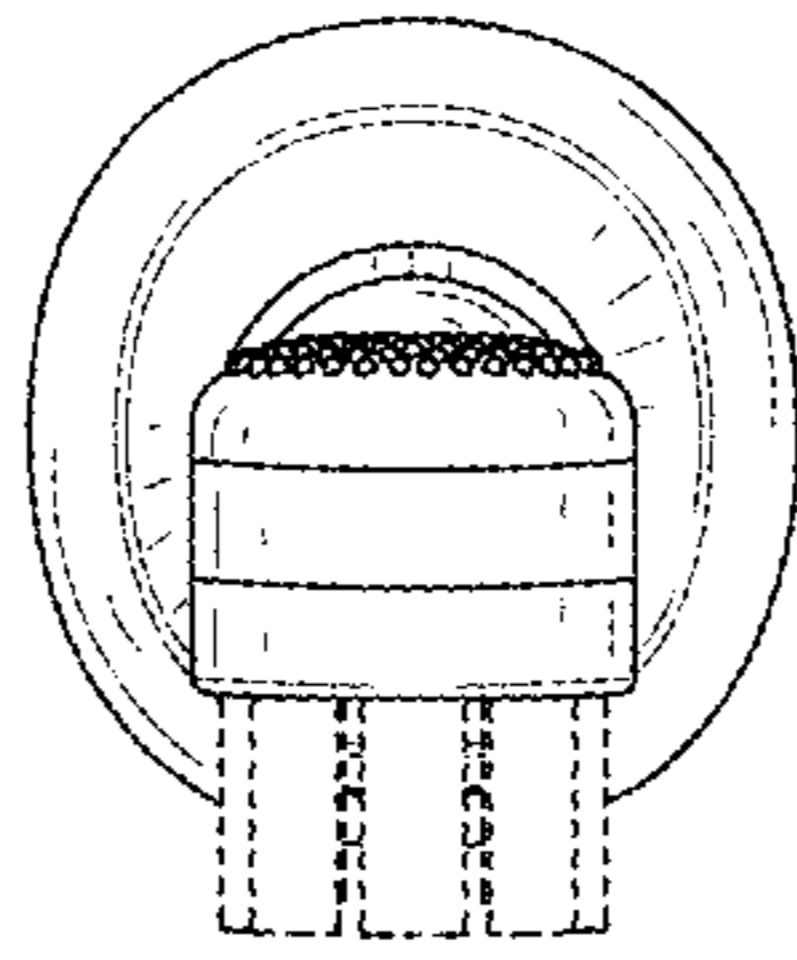


FIG. 7

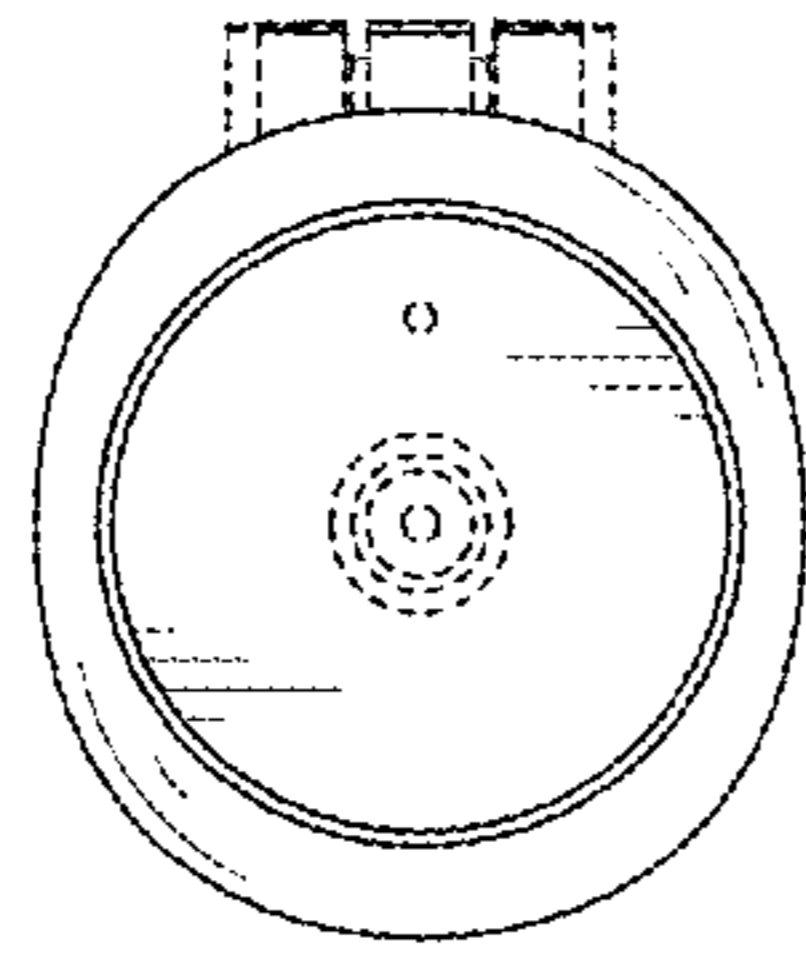


FIG. 8