



US00D945770S

(12) **United States Design Patent** (10) **Patent No.:** **US D945,770 S**
Liu (45) **Date of Patent:** **** Mar. 15, 2022**

(54) **FIRE-PROOF STORAGE BOX**

OTHER PUBLICATIONS

(71) Applicant: **Shenzhen Yihuaxing Technology Co., Ltd.**, Shenzhen (CN)

Amazon.com, "Fireproof File Box with Lock,ENGPOW . . . ", first on sale Jun. 22, 2021. (<https://www.amazon.com/dp/B097PNCYXP>) (Year: 2021).*

(72) Inventor: **Yuming Liu**, Lianyuan (CN)

Amazon.com, "File Box, File Storage box, Tamfile . . . ", first on sale Apr. 15, 2021. (<https://www.amazon.com/dp/B092M9SNQ7/>) (Year: 2021).*

(**) Term: **15 Years**

Amazon.co.uk, "Fireproof Document Box,Storage Box with Lock . . . ", First on sale Jun. 24, 2021. (<https://www.amazon.co.uk/dp/B097TDZ3RW/>) (Year: 2021).*

(21) Appl. No.: **29/770,011**

* cited by examiner

(22) Filed: **Feb. 9, 2021**

Primary Examiner — April Rivas

(51) **LOC (13) Cl.** **03-01**

(52) **U.S. Cl.**

(57) **CLAIM**

USPC **D3/289**; D3/302

(58) **Field of Classification Search**

The ornamental design for a fire-proof storage box, as shown and described.

USPC D3/273, 276, 283, 289, 290, 902, 302

CPC B65D 5/36; A45C 7/0036; A62C 3/00

See application file for complete search history.

DESCRIPTION

(56) **References Cited**

FIG. 1 is a front perspective view of a fire-proof storage box showing my new design;

U.S. PATENT DOCUMENTS

FIG. 2 is a front perspective view of the fire-proof storage box thereof, with the lid shown exploded off the top of the box;

D494,758 S * 8/2004 DeCarlo D3/283

FIG. 3 is a top view of the fire-proof storage box;

D577,196 S * 9/2008 Hayden

FIG. 4 is a left side view thereof;

D582,676 S * 12/2008 Rothschild D3/276

FIG. 5 is a front view thereof;

D671,742 S 12/2012 Cenzano et al.

FIG. 6 is a right side view thereof;

D685,575 S * 7/2013 Cullen D3/289

FIG. 7 is a back view thereof; and,

8,985,432 B2 * 3/2015 Cullen B65D 5/36

FIG. 8 is a bottom view thereof.

229/117.05

The broken lines shown in the drawings depict portions of the fire-proof storage box in which the design is embodied that form no part of the claimed design.

D845,625 S * 4/2019 Barlier D3/283

1 Claim, 8 Drawing Sheets

D869,846 S * 12/2019 Liu D3/301

D872,477 S 1/2020 Perella et al.

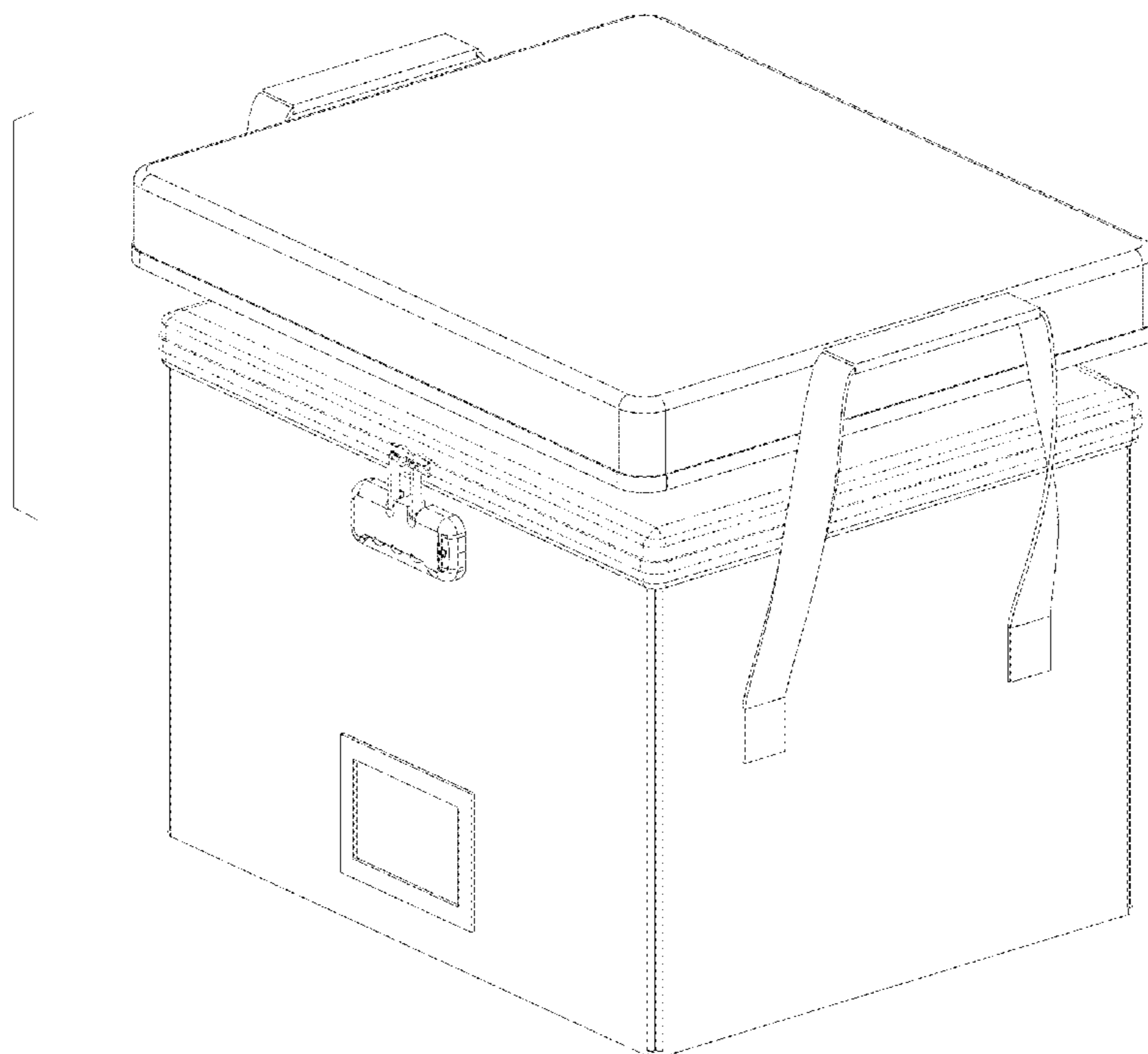
D873,565 S * 1/2020 Long D3/290

D911,710 S * 3/2021 Karalis D3/289

D917,167 S * 4/2021 Fenech D3/290

D918,583 S * 5/2021 Fu D3/289

D925,223 S * 7/2021 Liu D3/290



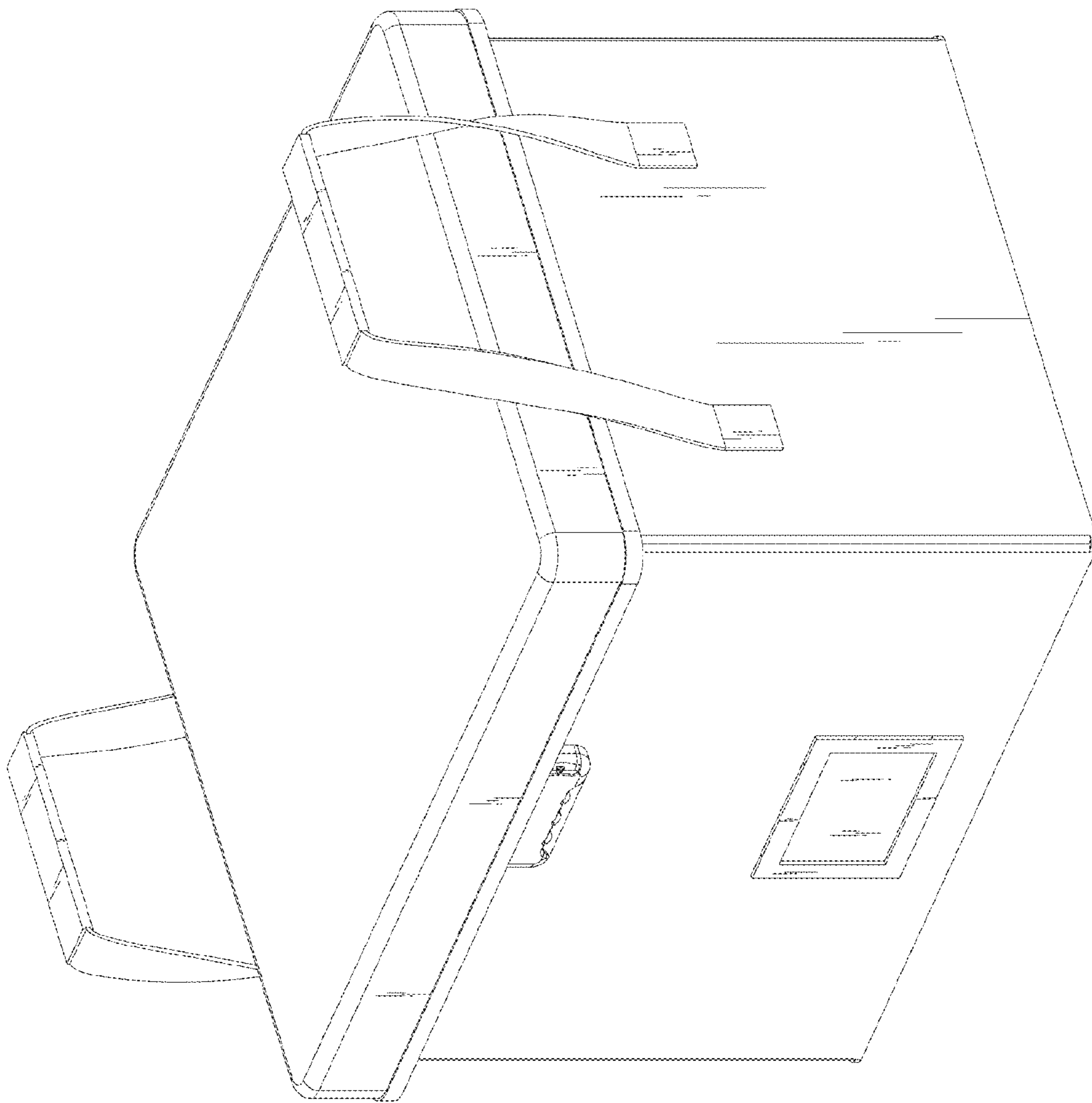


FIG. 1

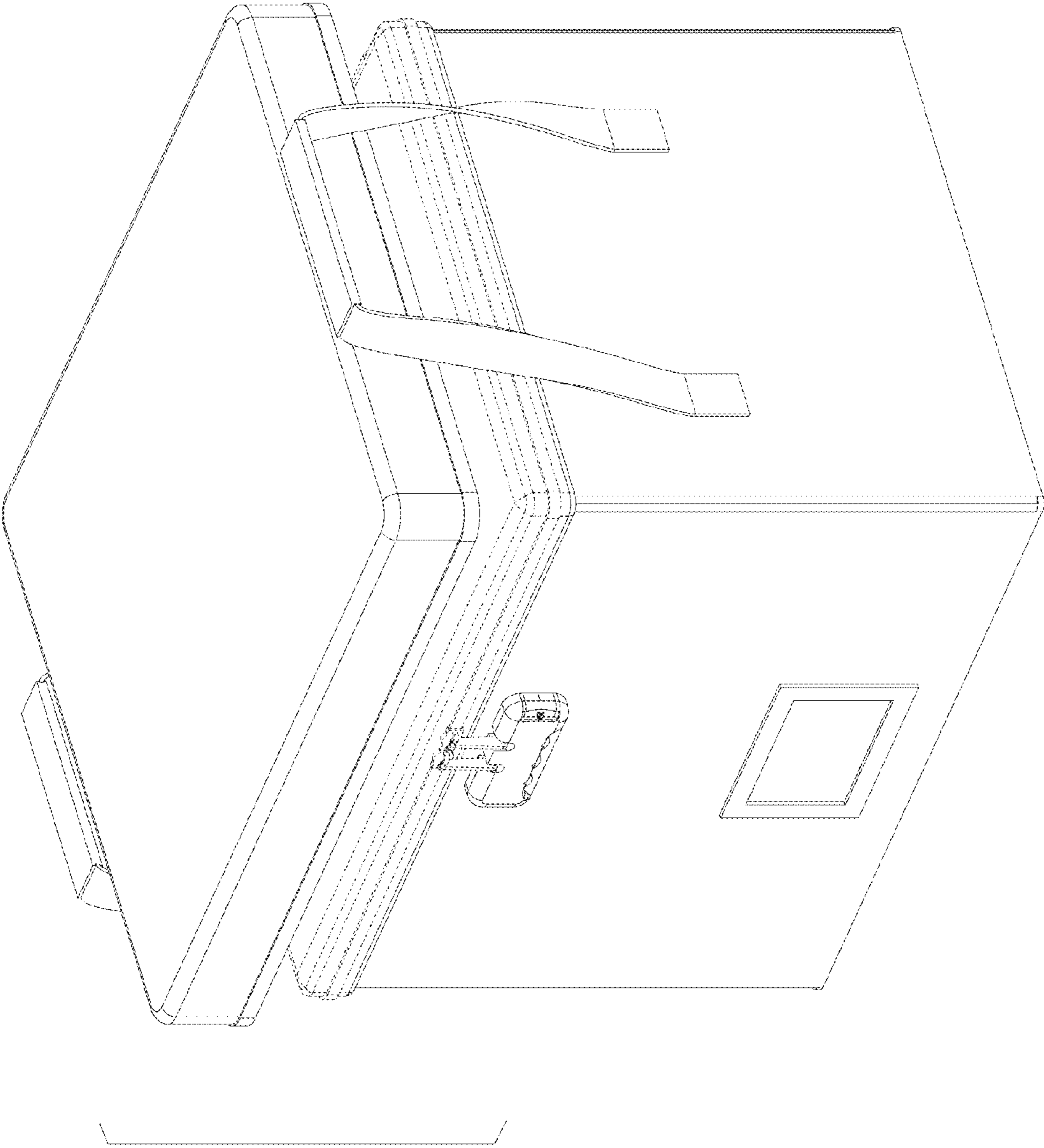


FIG. 2

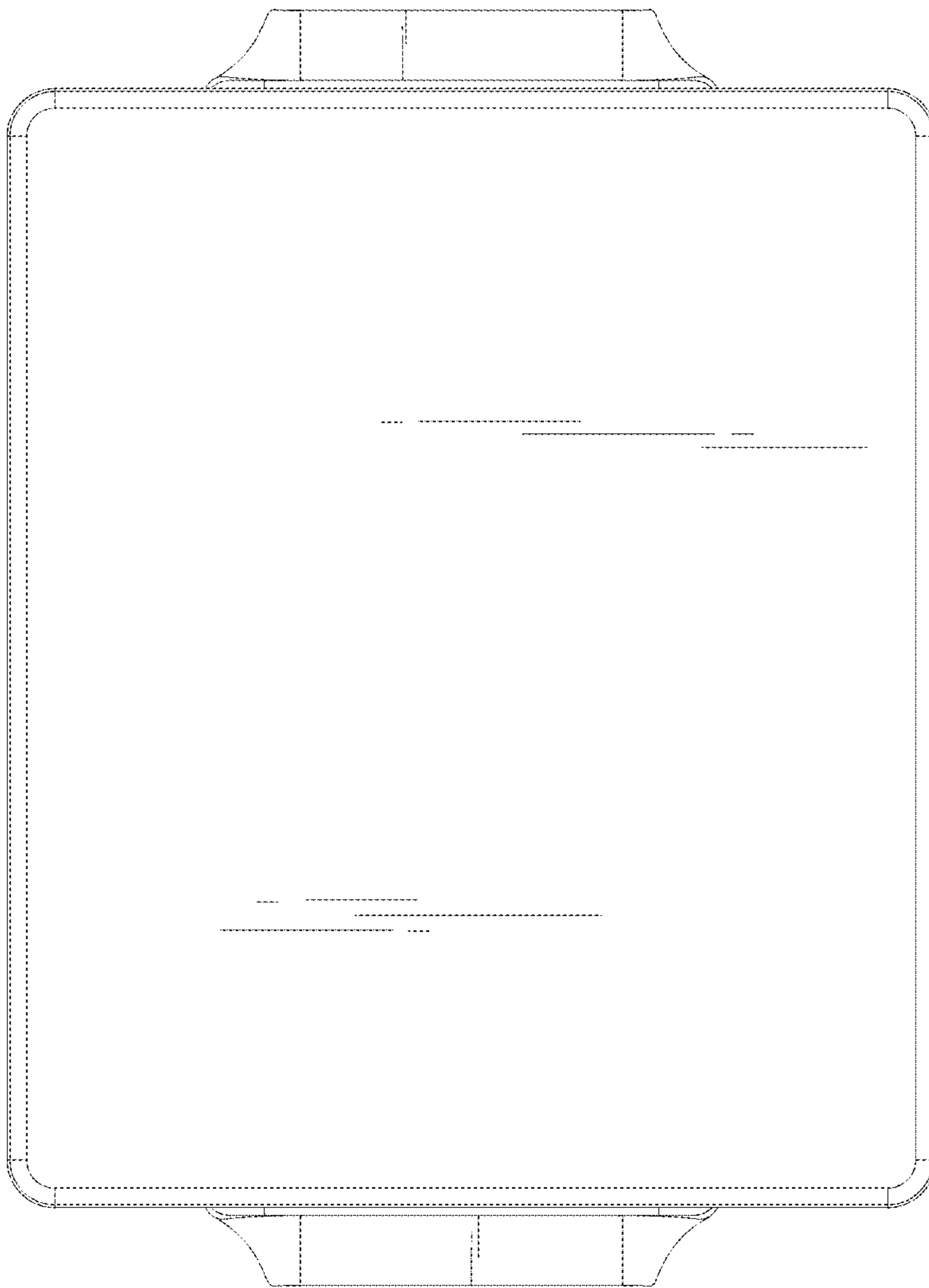


FIG. 3

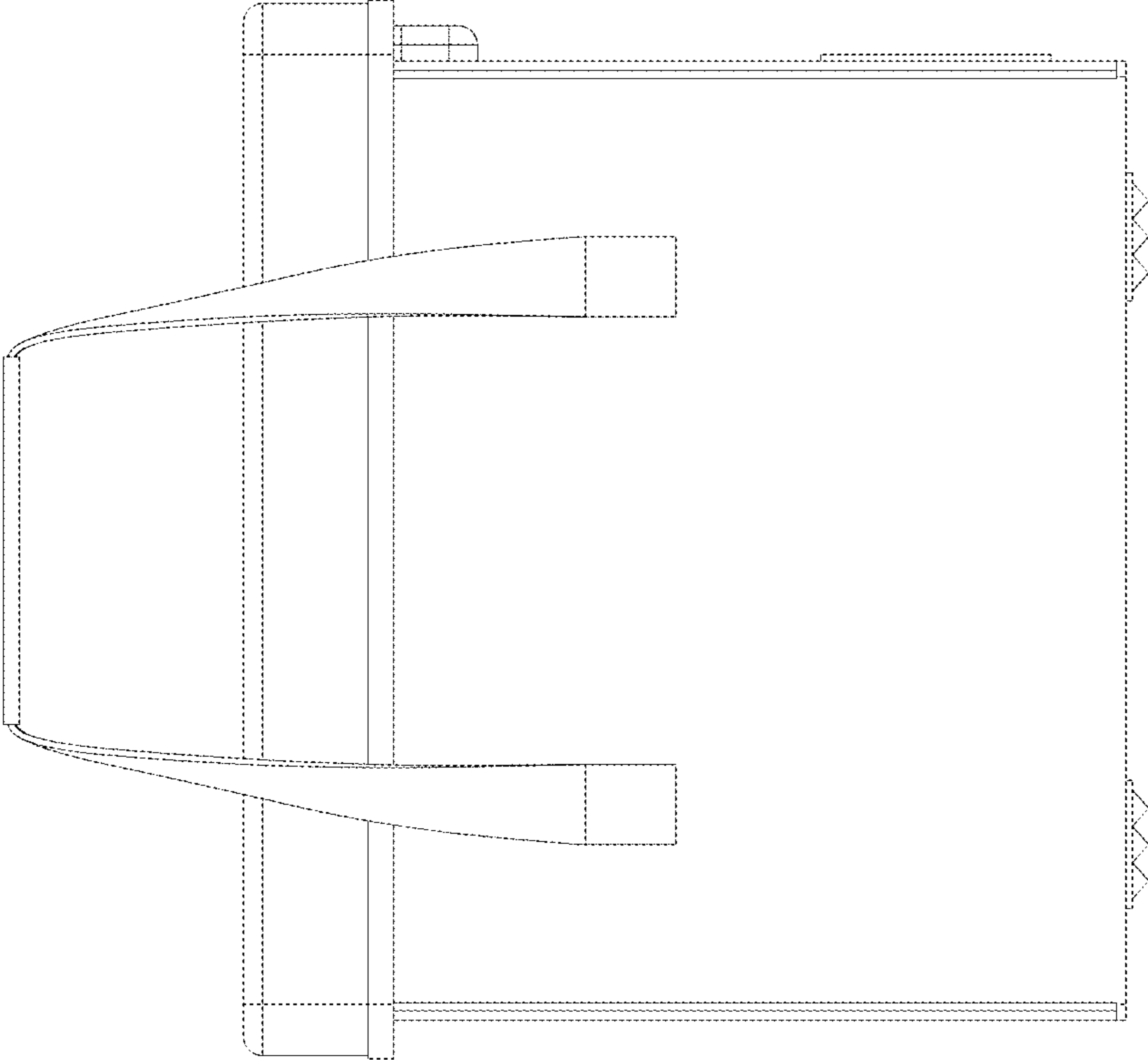


FIG. 4

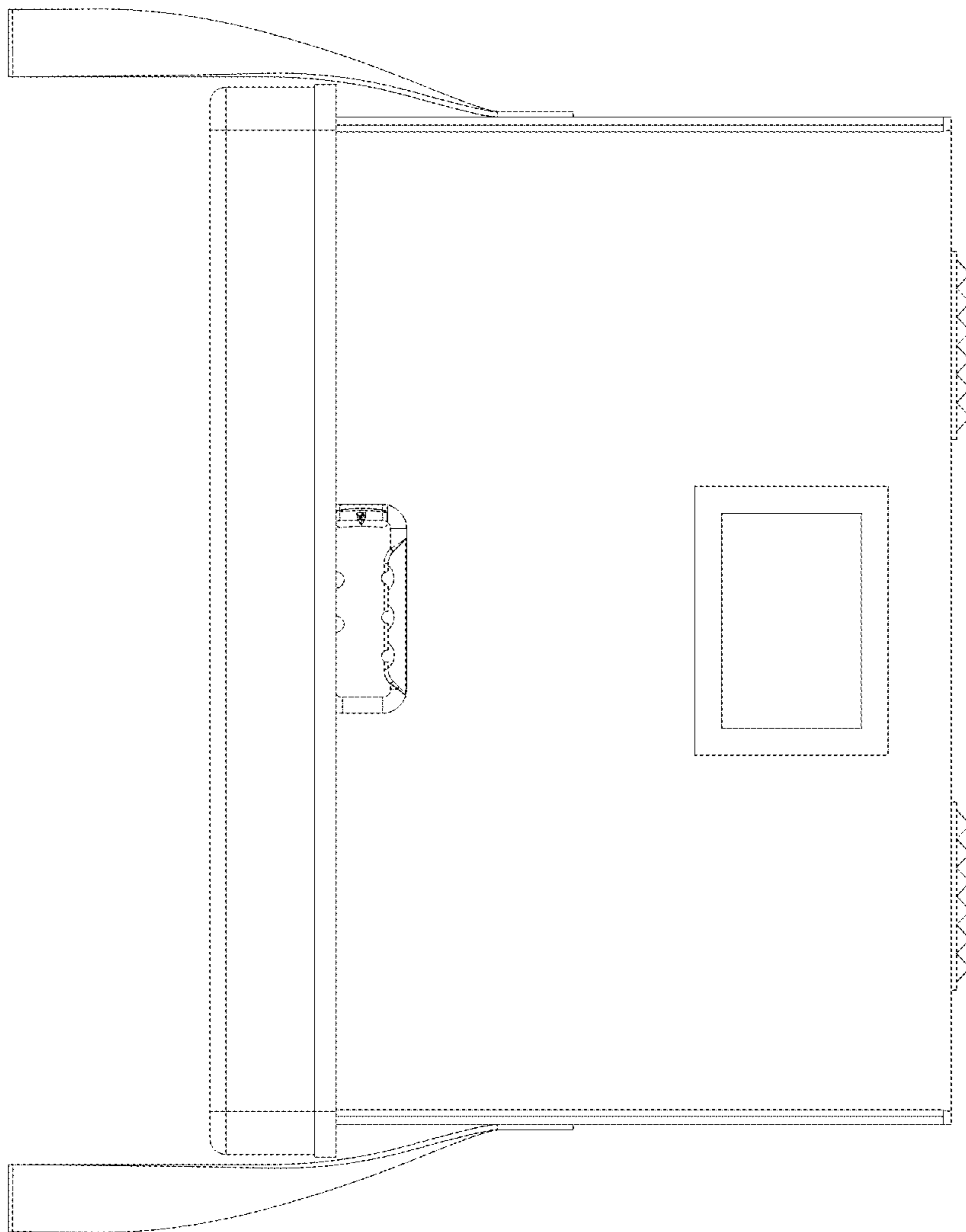


FIG. 5

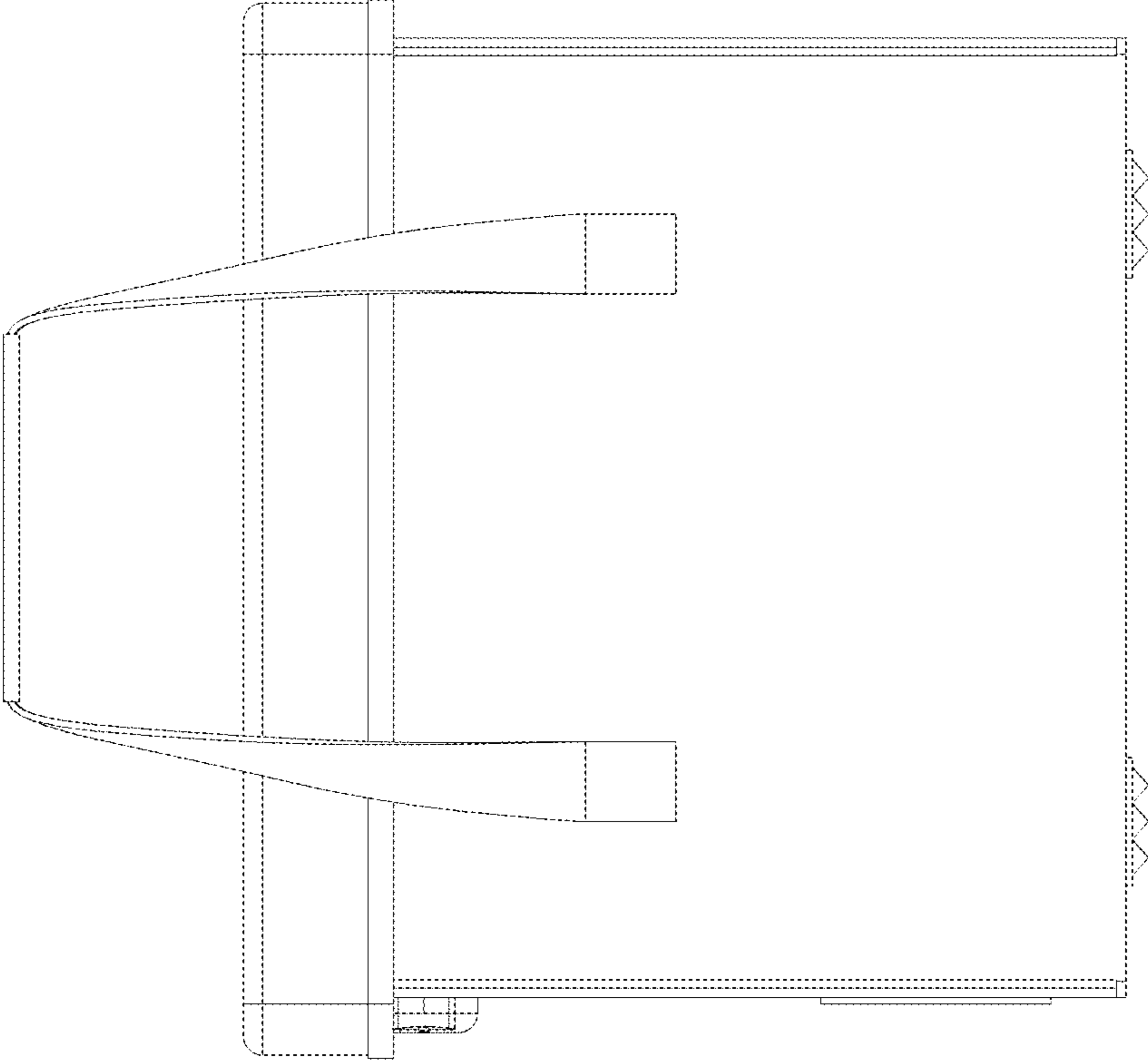


FIG. 6

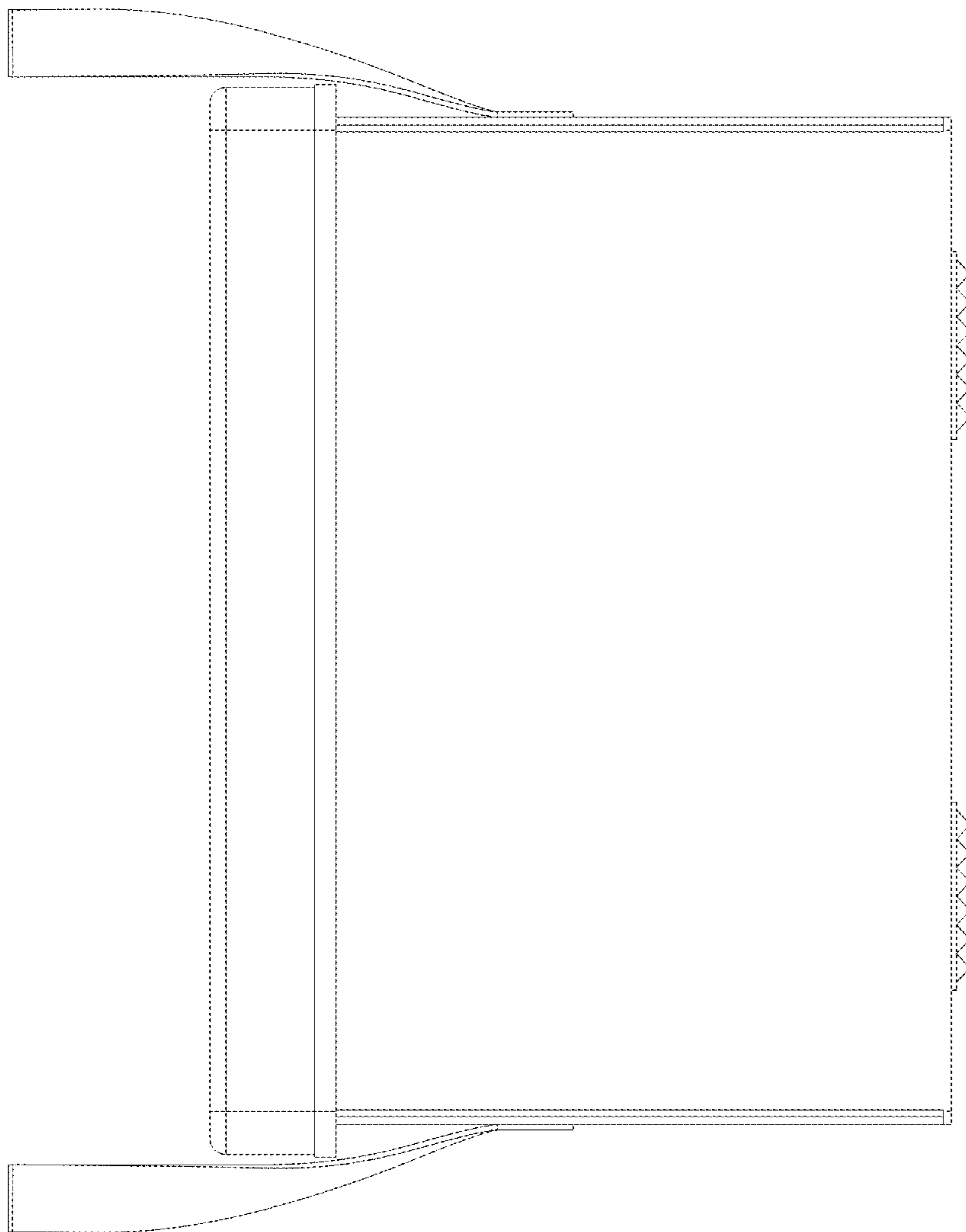


FIG. 7

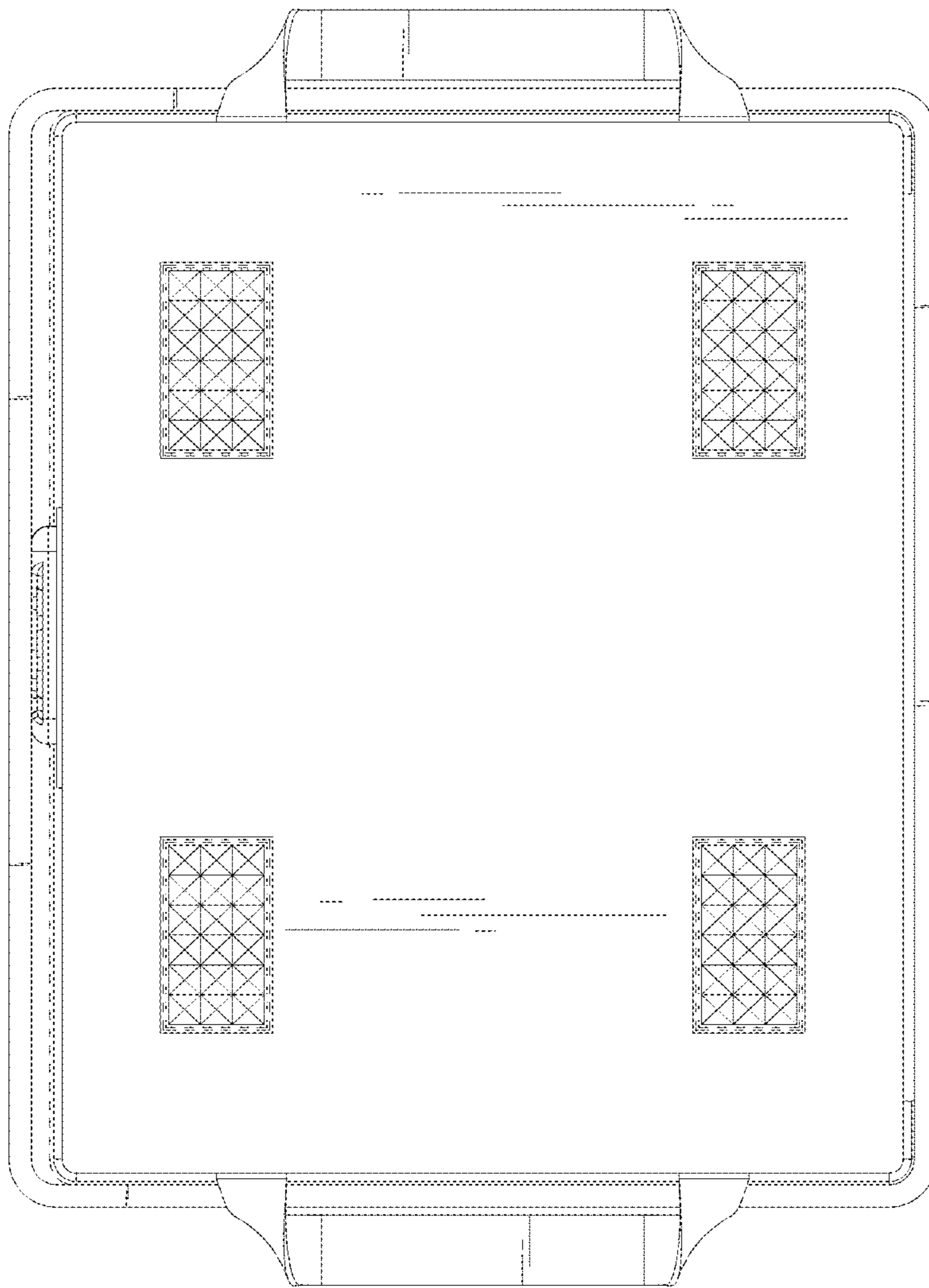


FIG. 8