



US00D945769S

(12) **United States Design Patent**  
**Tonelli**

(10) **Patent No.:** **US D945,769 S**  
(45) **Date of Patent:** **\*\* Mar. 15, 2022**

- (54) **TRUNK**
- (71) Applicant: **G.T. LINE S.R.L.**, Località Crespellano (IT)
- (72) Inventor: **Massimo Tonelli**, Bologna (IT)
- (73) Assignee: **G.T. LINE S.R.L.**, Località Crespellano (IT)
- (\*\*) Term: **15 Years**
- (21) Appl. No.: **29/728,107**
- (22) Filed: **Mar. 16, 2020**

(30) **Foreign Application Priority Data**

Sep. 17, 2019 (EM) ..... 006874590

- (51) **LOC (13) Cl.** ..... **03-01**
- (52) **U.S. Cl.**  
USPC ..... **D3/279; D3/905**
- (58) **Field of Classification Search**  
USPC ..... D3/276, 279, 281, 291, 321, 283, 292,  
D3/318, 319, 322, 282, 289, 902, 905,  
D3/273, 274  
CPC ..... A45C 5/14; A45C 5/00; A45C 2003/008;  
A45C 2005/032  
See application file for complete search history.

(56) **References Cited**

**U.S. PATENT DOCUMENTS**

D311,276 S *	10/1990	Workman	.....	D3/292
D319,731 S *	9/1991	Reynolds, Jr.	.....	D3/292
D402,462 S *	12/1998	Sanderson	.....	D3/276
D438,381 S *	3/2001	Sijmons	.....	D3/276
7,370,891 B1 *	5/2008	Schmitt	.....	E05B 17/2053 292/113
D639,056 S *	6/2011	Pond	.....	D3/279
8,678,227 B2 *	3/2014	Patstone	.....	B25H 1/04 220/629
D754,439 S *	4/2016	Ou	.....	D3/318
D765,974 S *	9/2016	Tonelli	.....	D3/279

D788,461 S *	6/2017	Tonelli	.....	D3/279
D833,744 S *	11/2018	Yahav	.....	D3/279
D857,386 S *	8/2019	Shpitzer	.....	D3/279
D876,833 S *	3/2020	Brunner	.....	D3/279
D887,138 S *	6/2020	Feng	.....	D3/279
D915,069 S *	4/2021	Tonelli	.....	D3/279

(Continued)

**FOREIGN PATENT DOCUMENTS**

CN	303673318	*	5/2016
CN	304021777	*	2/2017

**OTHER PUBLICATIONS**

Amazon.Com, Site visited Oct. 13, 2021. Pelican 1510 Carry On Case. Date First Available Jun. 17, 2003, [https://www.amazon.com/1510-Carry-Case-without-foam/dp/B001BDP956/ref=sr\\_1\\_93?dchild=1&keywords=rolling+tool+case&qid=1634127950&sr=8-93](https://www.amazon.com/1510-Carry-Case-without-foam/dp/B001BDP956/ref=sr_1_93?dchild=1&keywords=rolling+tool+case&qid=1634127950&sr=8-93) (Year: 2003).\*

(Continued)

*Primary Examiner* — Brett Miller  
*Assistant Examiner* — Jessica M Gebhart  
(74) *Attorney, Agent, or Firm* — Cantor Colburn LLP

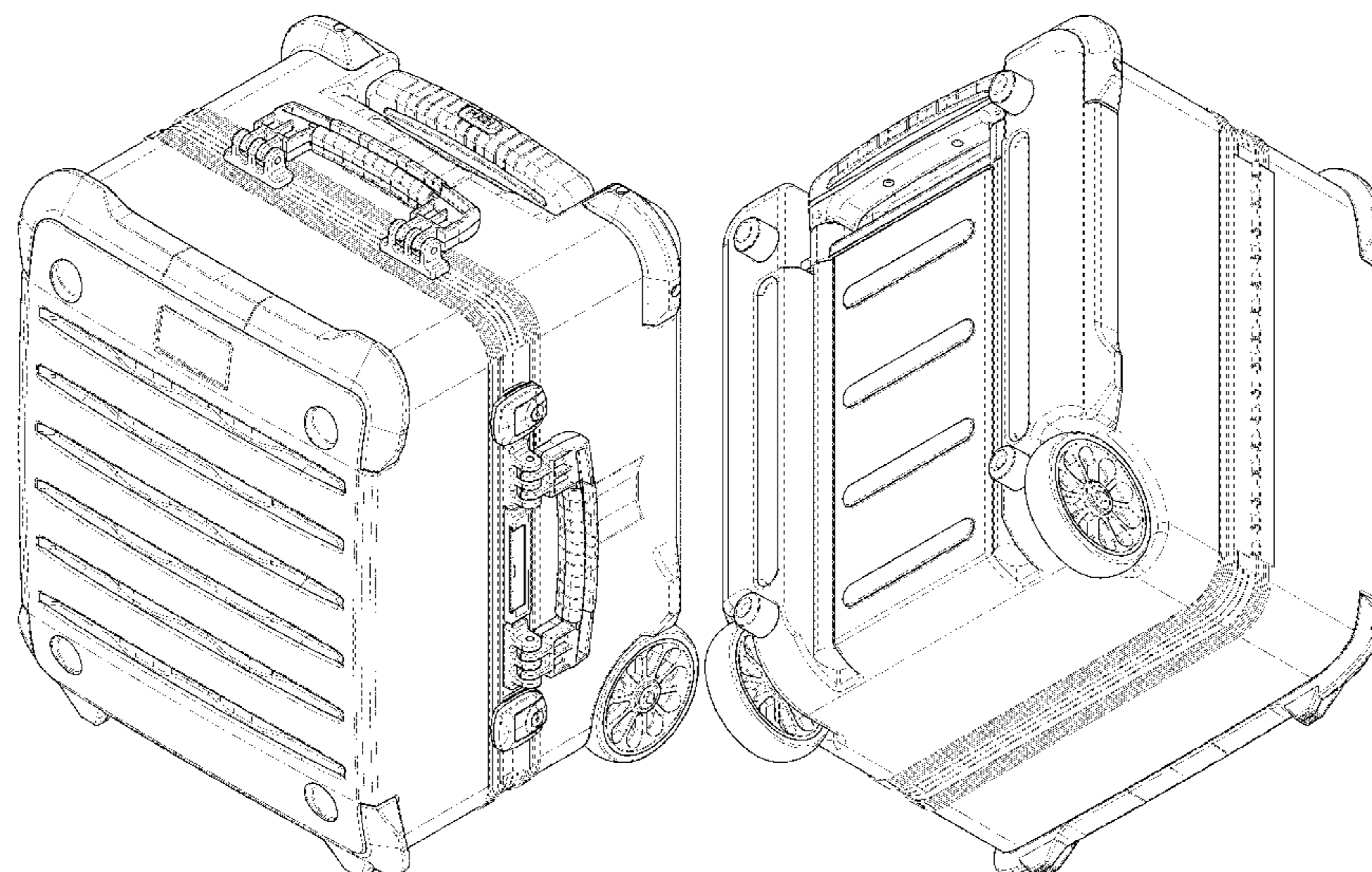
(57) **CLAIM**

I claim, the ornamental design for a trunk, as shown and described.

**DESCRIPTION**

FIG. 1 is a perspective view of a trunk, showing my new design;  
FIG. 2 is a front elevation view thereof;  
FIG. 3 is a rear elevation view thereof;  
FIG. 4 is a left side elevation view thereof;  
FIG. 5 is a right side elevation view thereof;  
FIG. 6 is a top plan view thereof;  
FIG. 7 is a bottom plan view thereof; and,  
FIG. 8 is a perspective bottom view thereof.

**1 Claim, 8 Drawing Sheets**



(56)

**References Cited**

U.S. PATENT DOCUMENTS

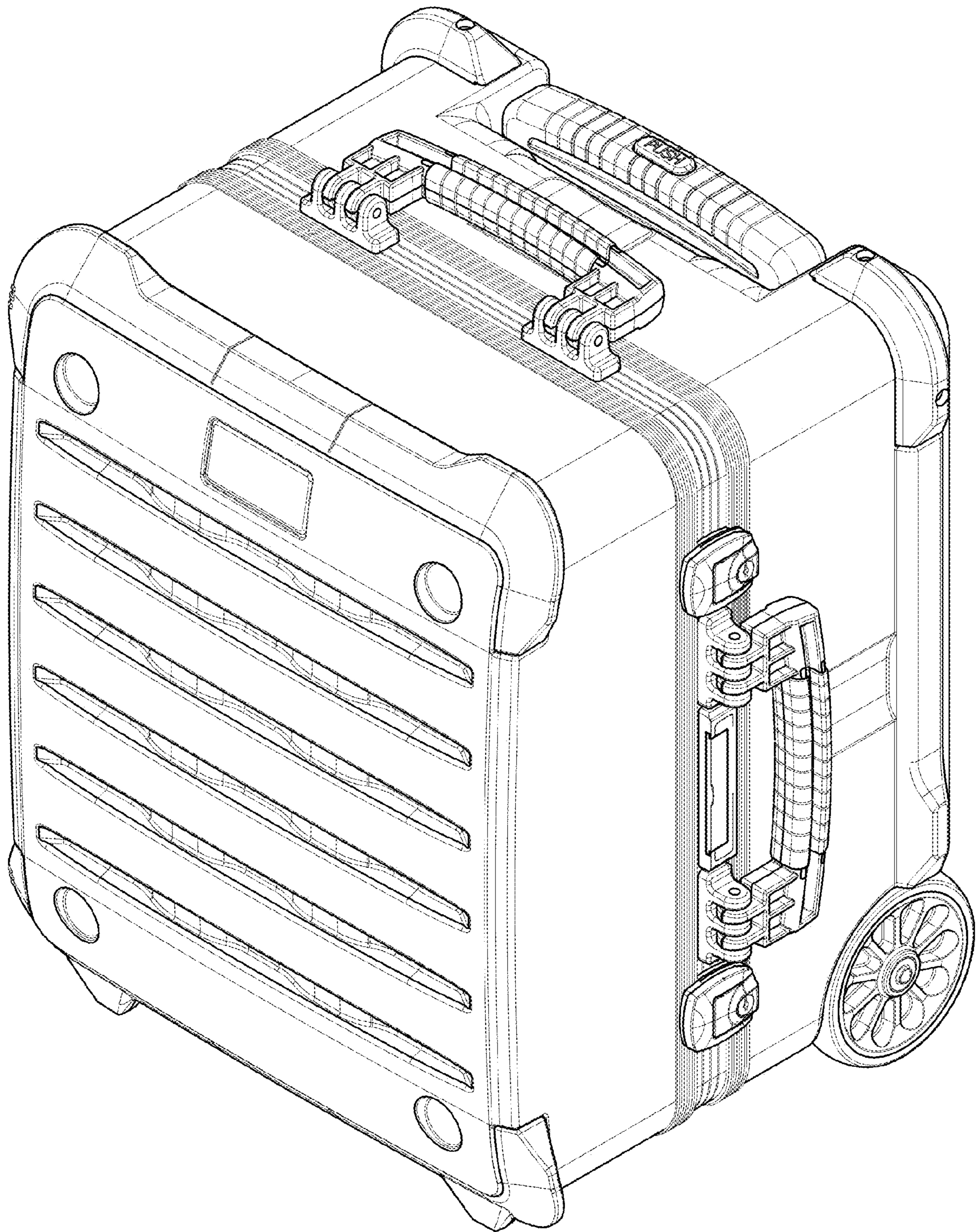
2006/0060588 A1\* 3/2006 Tonelli ..... B25H 3/02  
220/554  
2011/0127264 A1\* 6/2011 Whalen ..... A45C 13/1084  
220/203.01  
2016/0150862 A1\* 6/2016 Tonelli ..... A45C 13/262  
190/18 A  
2016/0183651 A1\* 6/2016 Tonelli ..... A45C 7/0045  
190/18 A  
2017/0303645 A1\* 10/2017 Morszeck ..... A45C 13/26  
2020/0196725 A1\* 6/2020 Tonelli ..... A45C 13/26  
2021/0052050 A1\* 2/2021 Naparstek ..... A45C 5/14

OTHER PUBLICATIONS

Youtube.com, Site visited Oct. 13, 2021. Video uploaded Mar. 2, 2017 by Wurth Norge AS titled "0715 930 050 ATOMIK WH PTS Wuerth NO 2"<https://www.youtube.com/watch?v=tfcl62laEwStill> from 9 second mark of video (Year: 2017).\*

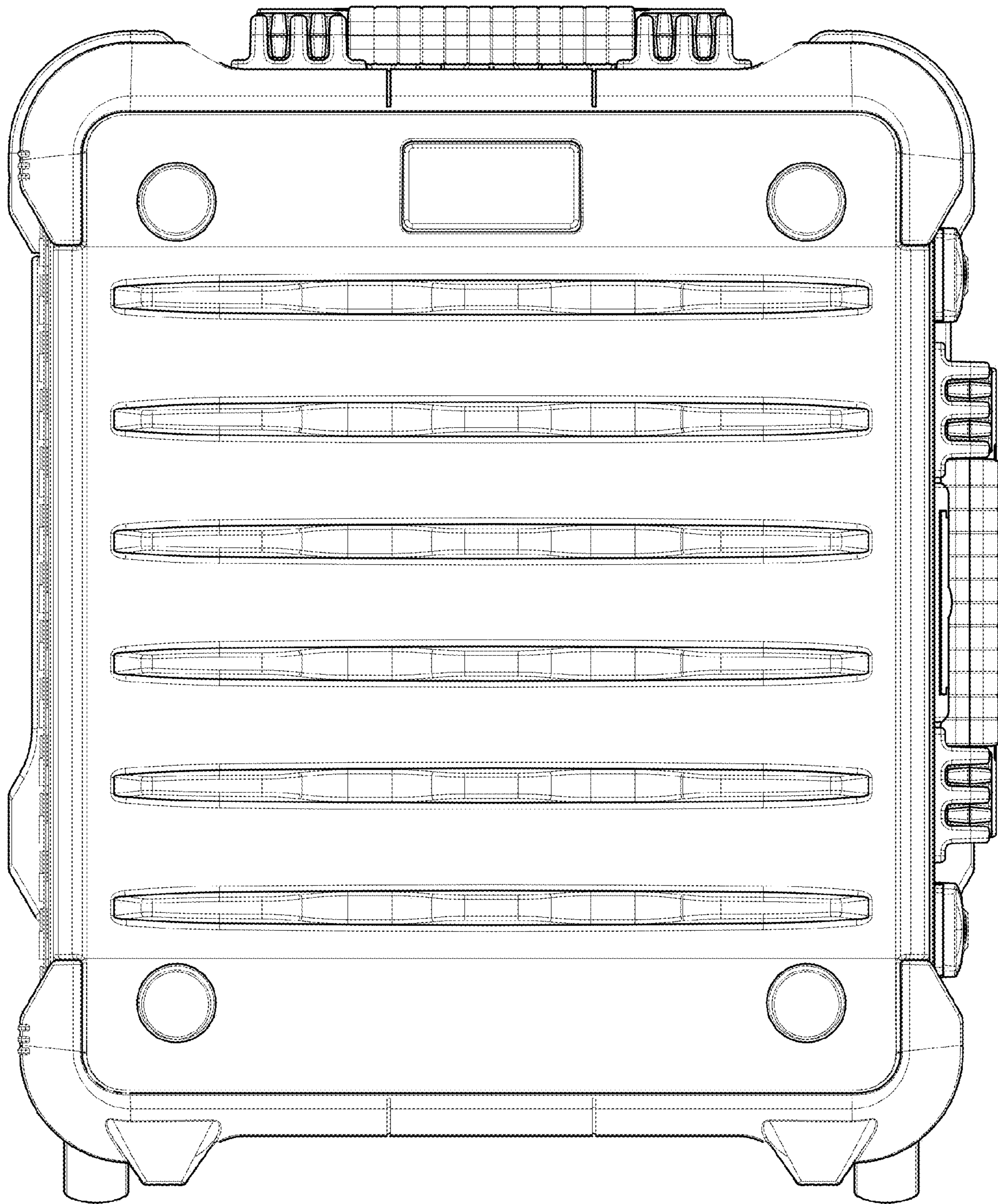
\* cited by examiner



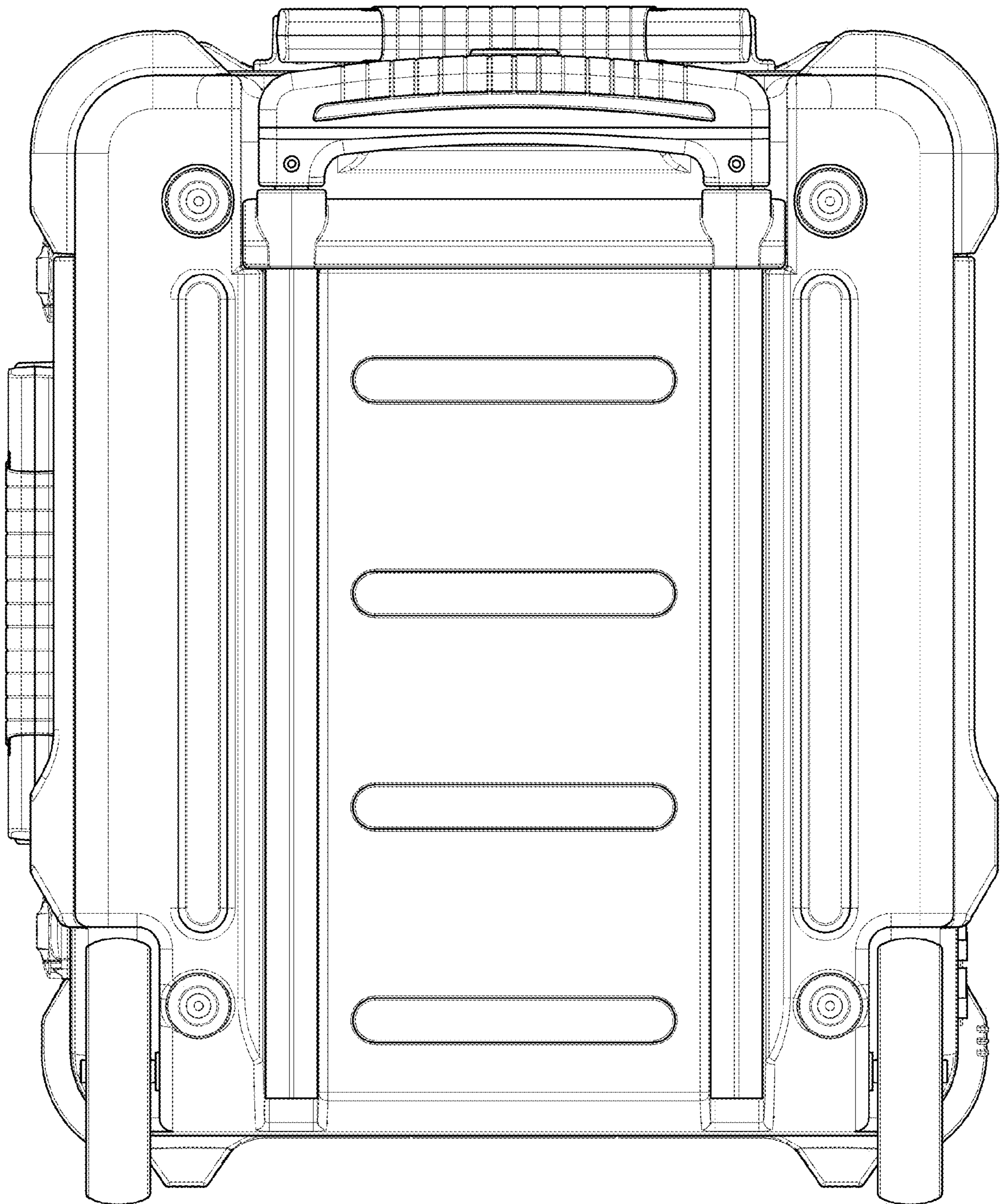


*Fig. 1*



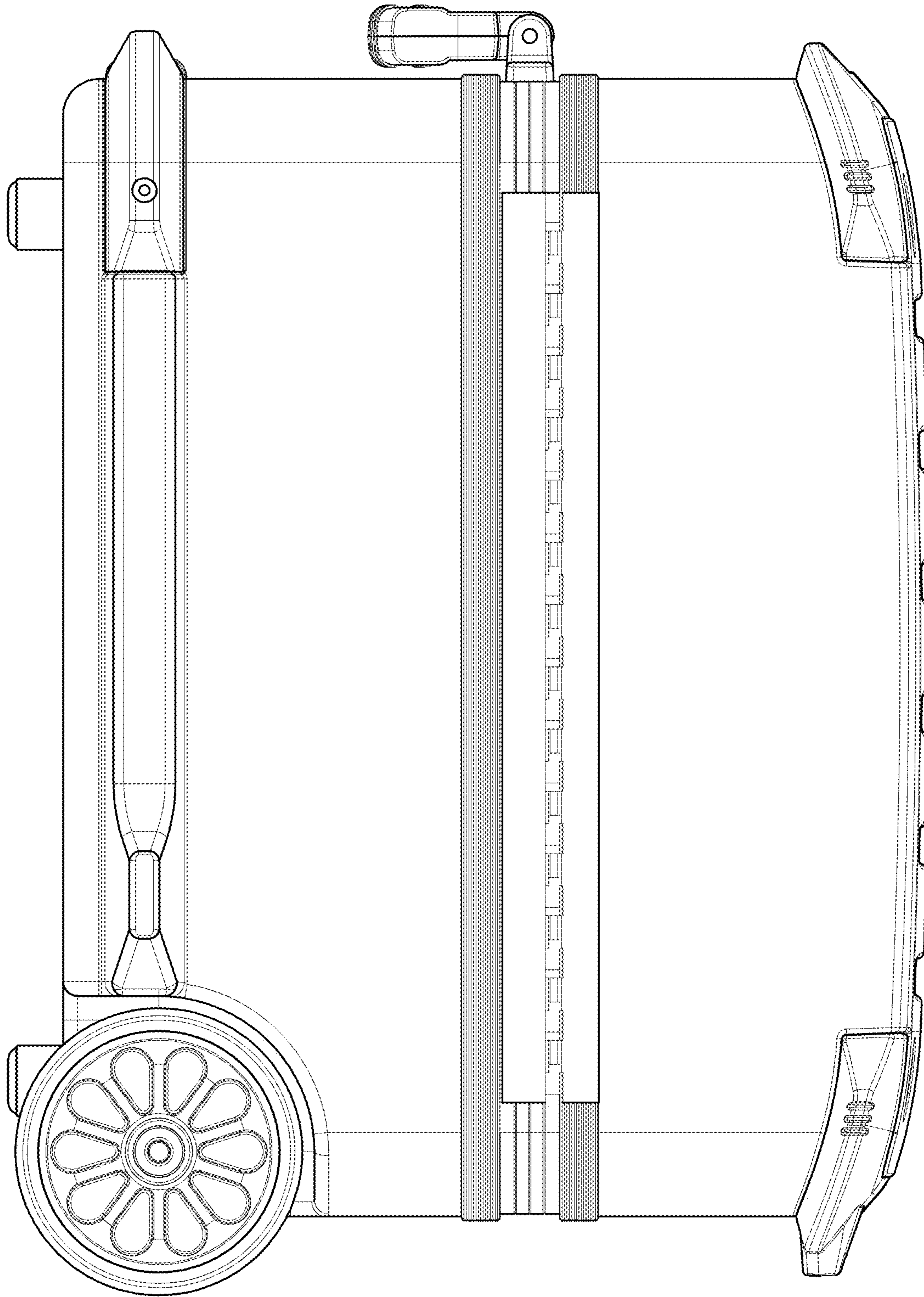


*Fig. 2*

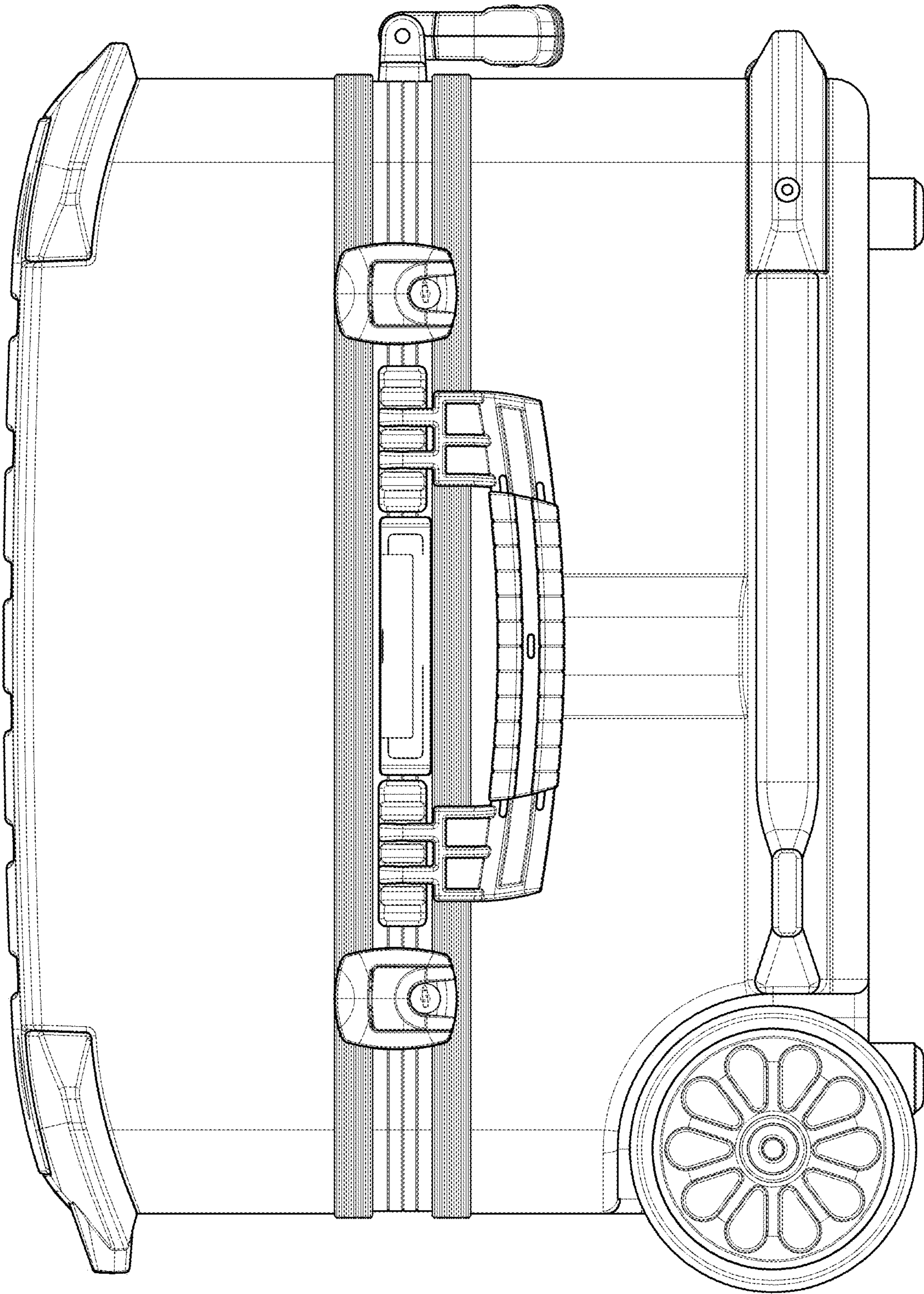


*Fig. 3*



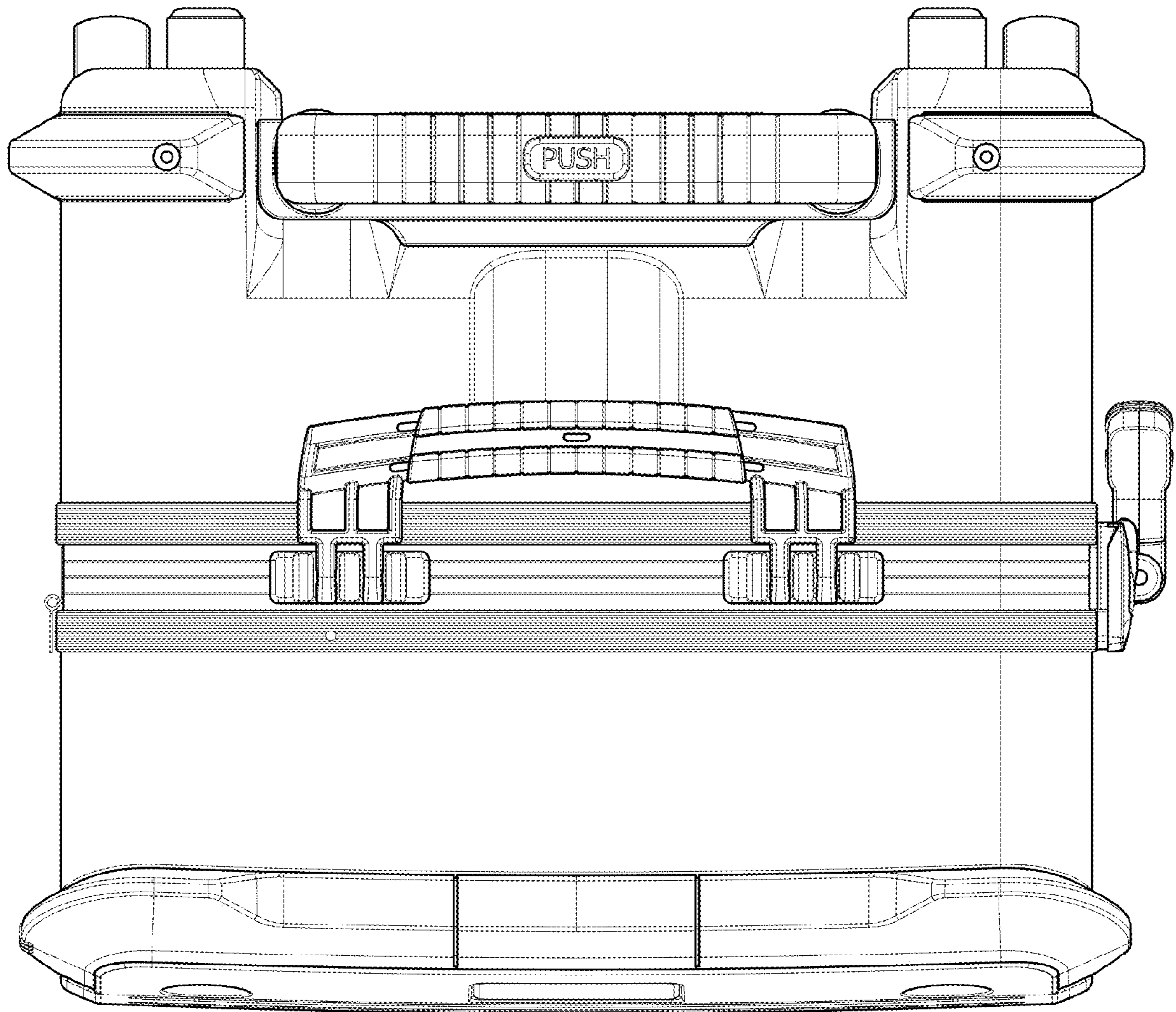


*Fig. 4*



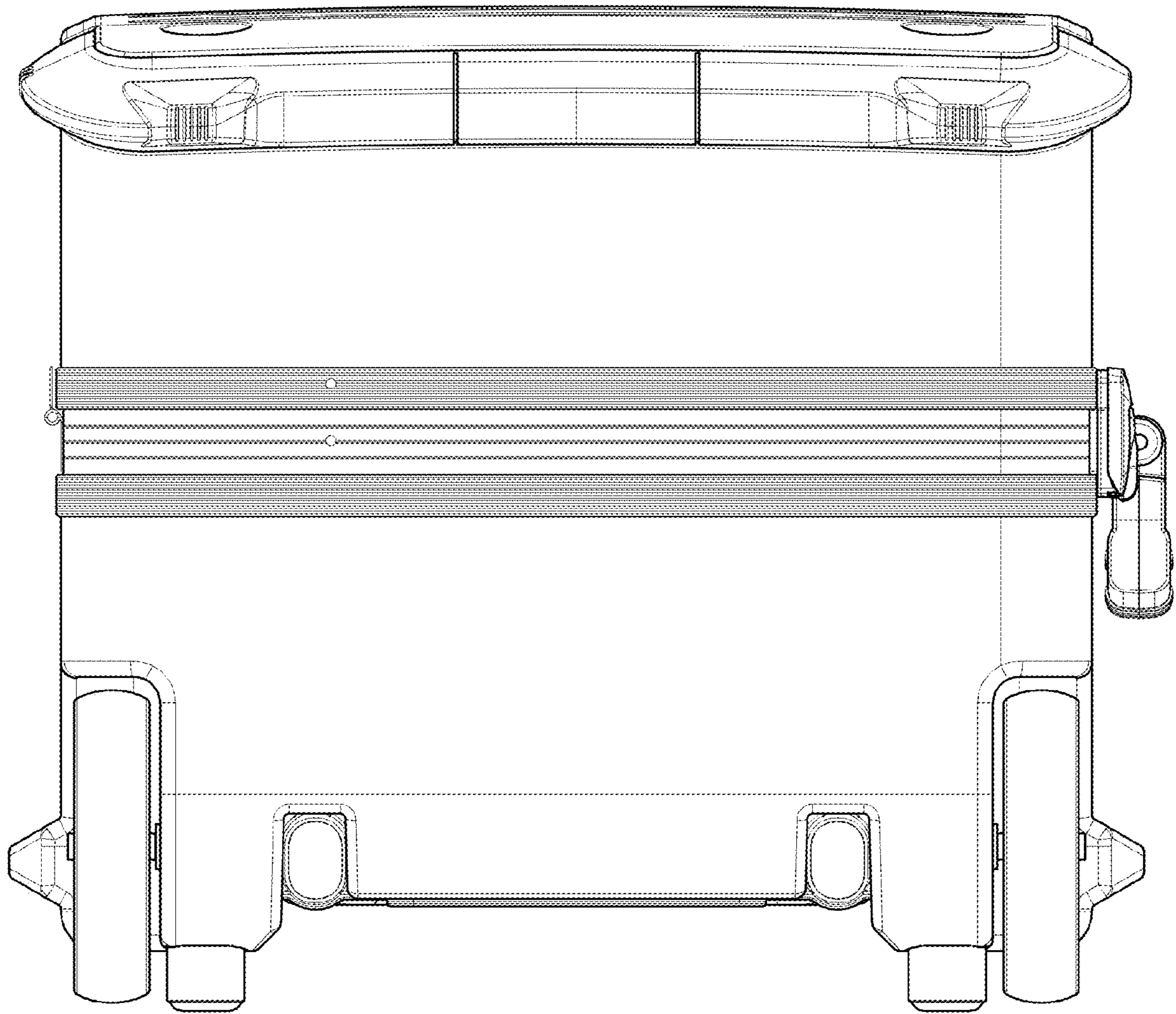
*Fig. 5*



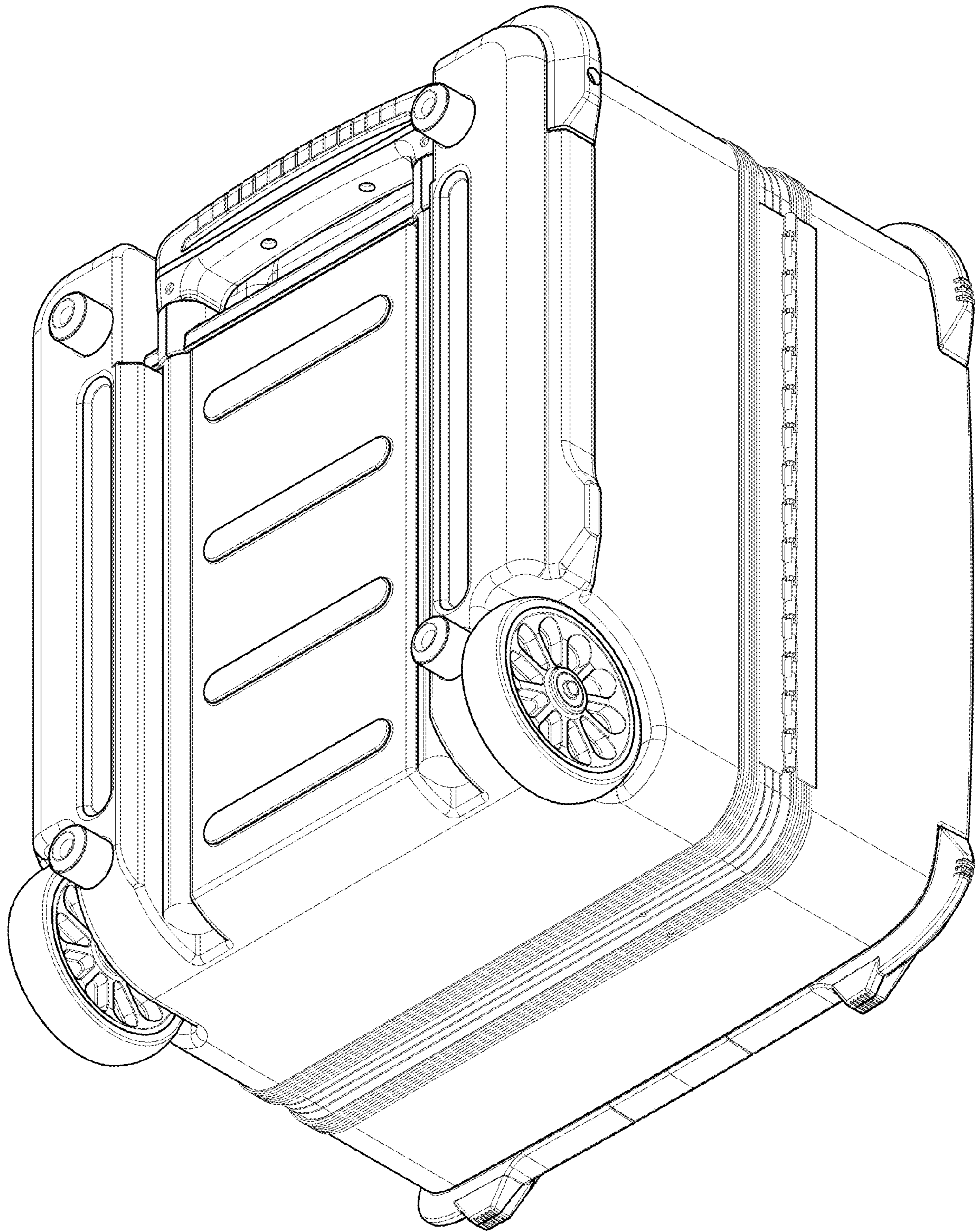


*Fig. 6*





*Fig. 7*



*Fig. 8*