



US00D945768S

(12) **United States Design Patent** (10) **Patent No.:** **US D945,768 S**  
**He** (45) **Date of Patent:** **\*\* Mar. 15, 2022**

(54) **BACKPACK**  
(71) Applicant: **Aixia He**, Dengzhou (CN)  
(72) Inventor: **Aixia He**, Dengzhou (CN)  
(\*\*) Term: **15 Years**  
(21) Appl. No.: **29/752,292**  
(22) Filed: **Sep. 25, 2020**  
(51) **LOC (13) Cl.** ..... **03-01**  
(52) **U.S. Cl.**  
USPC ..... **D3/217**  
(58) **Field of Classification Search**  
USPC ..... D3/201, 213–219, 221, 224, 225, 229,  
D3/230, 232, 243–246, 254, 318  
CPC .. A45C 3/08; A45C 3/06; A45C 13/08; A45C  
13/02; A45C 7/0086; A45C 3/00; A45C  
13/26; A45F 3/04; A45F 3/02  
See application file for complete search history.

(56) **References Cited**

U.S. PATENT DOCUMENTS

D404,539 S \* 1/1999 Glasser ..... D2/831  
D702,434 S \* 4/2014 Chalk ..... A45F 3/04  
D3/217  
D714,541 S \* 10/2014 Anderson ..... D3/217  
D799,815 S \* 10/2017 Tong ..... D3/217  
D867,750 S \* 11/2019 Warren ..... D3/217  
D896,505 S \* 9/2020 Yuan  
D901,169 S \* 11/2020 Thibadeau ..... D3/217  
D911,024 S \* 2/2021 Rabe ..... D3/217  
D923,327 S \* 6/2021 Wen ..... D3/217

2005/0045673 A1\* 3/2005 Godshaw ..... A45F 3/04  
224/153  
2008/0011568 A1\* 1/2008 Siwak ..... G01G 19/58  
190/115  
2020/0000208 A1\* 1/2020 Liu ..... A45F 3/06

OTHER PUBLICATIONS

FENGDONG 35 L Lightweight Foldable Waterproof Packable Travel Small Hiking Backpack, Amazon photo review Aug. 27, 2020, viewed on Nov. 24, 2021, available at URL: [https://www.amazon.com/FENGDONG-Lightweight-Waterproof-Packable-Backpack/dp/B08BC37QBB/ref=sr\\_1\\_1\\_sspa?crd=227H2QHHA5166&keywords=fengdong%2B35l%2Blightweig.\\*](https://www.amazon.com/FENGDONG-Lightweight-Waterproof-Packable-Backpack/dp/B08BC37QBB/ref=sr_1_1_sspa?crd=227H2QHHA5166&keywords=fengdong%2B35l%2Blightweig.*)

\* cited by examiner

*Primary Examiner* — Jennifer L Watkins  
(74) *Attorney, Agent, or Firm* — Justin Lampel

(57) **CLAIM**

The ornamental design for a backpack, as shown and described.

**DESCRIPTION**

FIG. 1 is a perspective view of a backpack showing the claimed design;  
FIG. 2 is a top plan view thereof;  
FIG. 3 is a left side elevational view thereof;  
FIG. 4 is a front side elevational view thereof;  
FIG. 5 is a right side elevational view thereof;  
FIG. 6 is a back side elevational view thereof; and,  
FIG. 7 is a bottom plan view thereof.

**1 Claim, 7 Drawing Sheets**

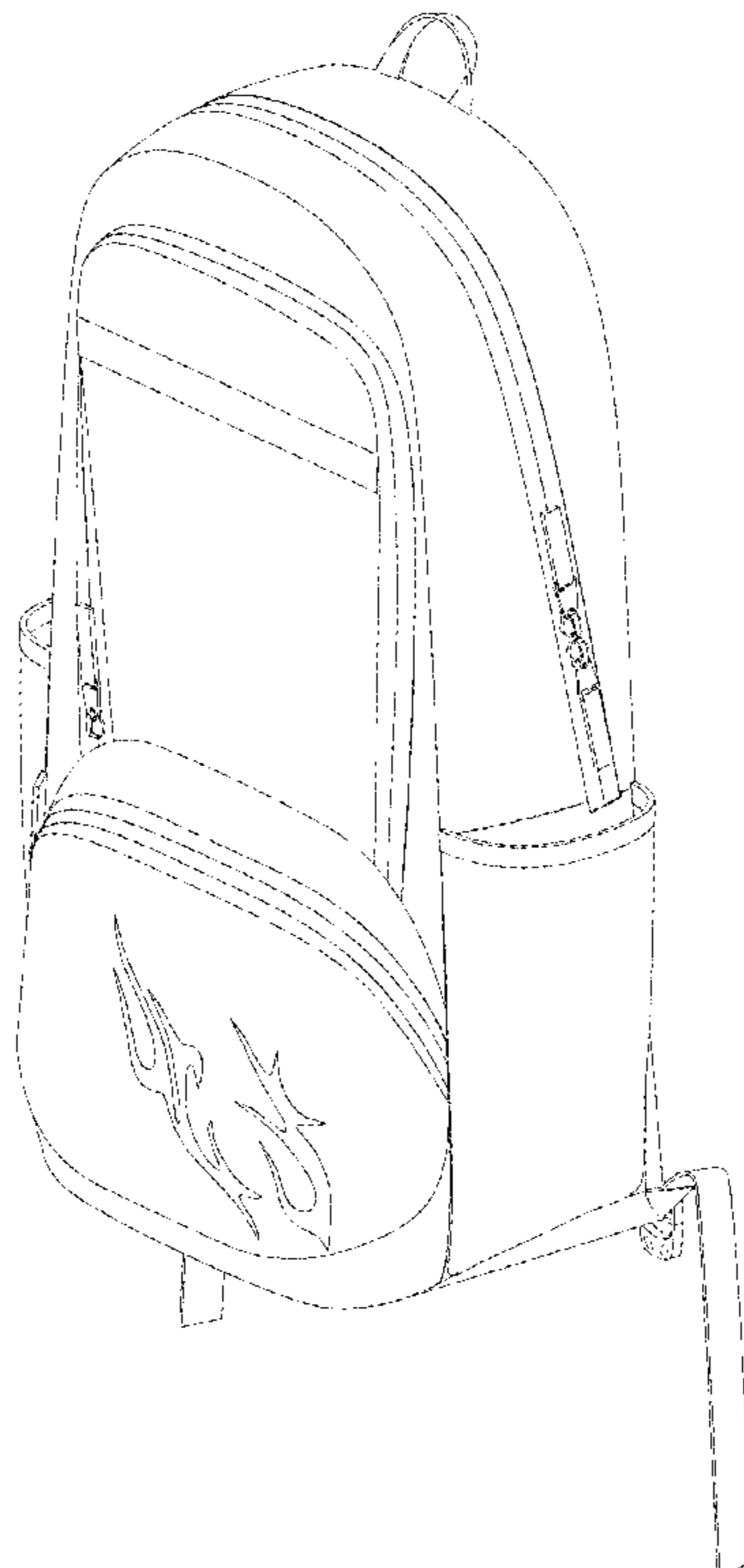




FIG.1

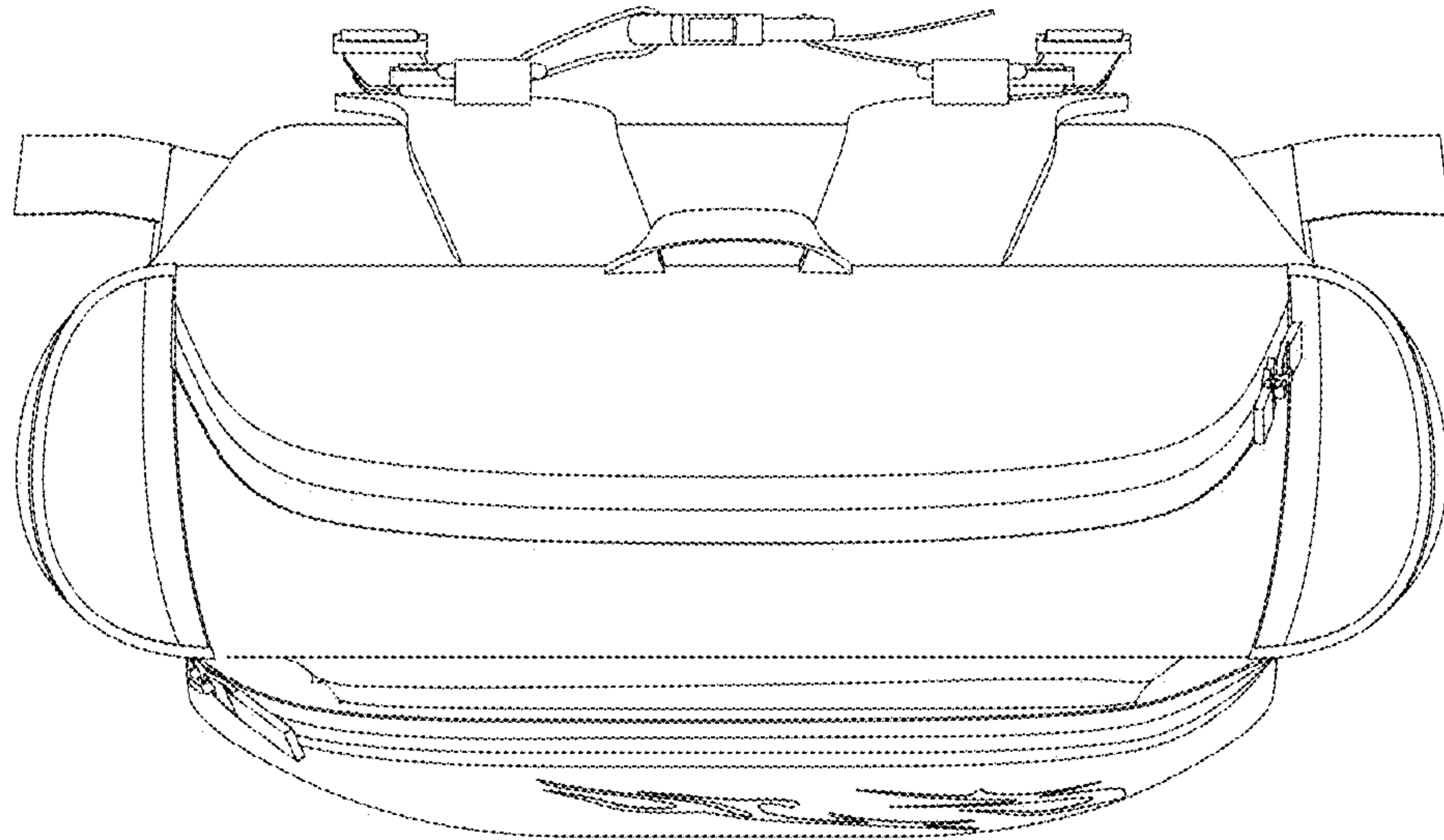


FIG. 2

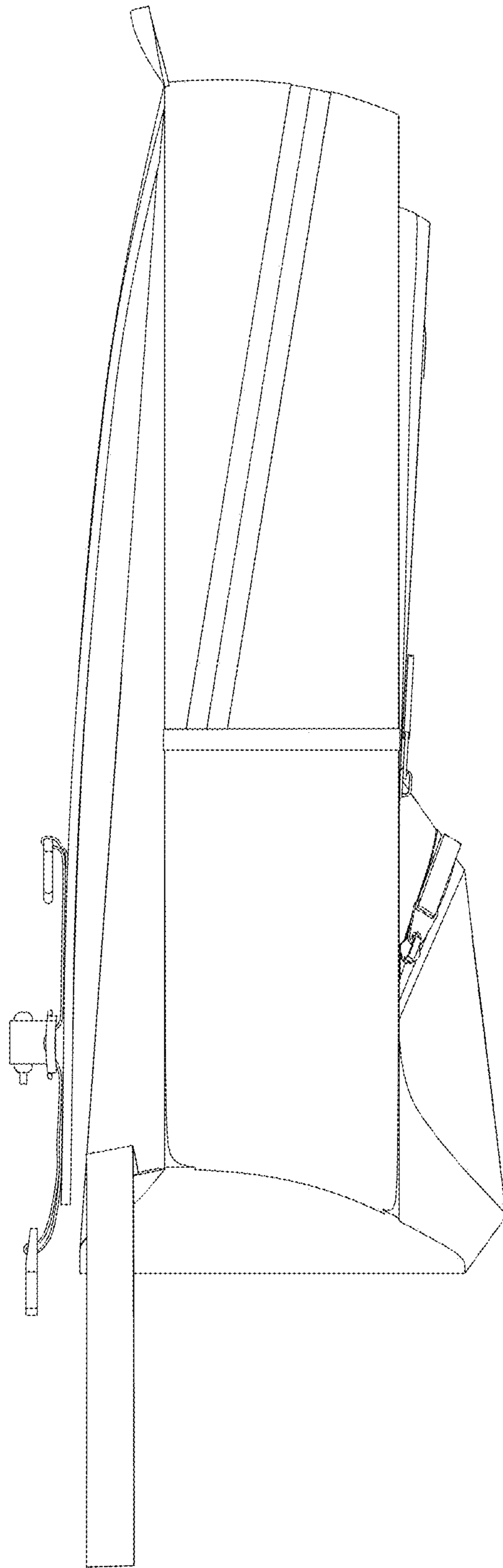


FIG. 3

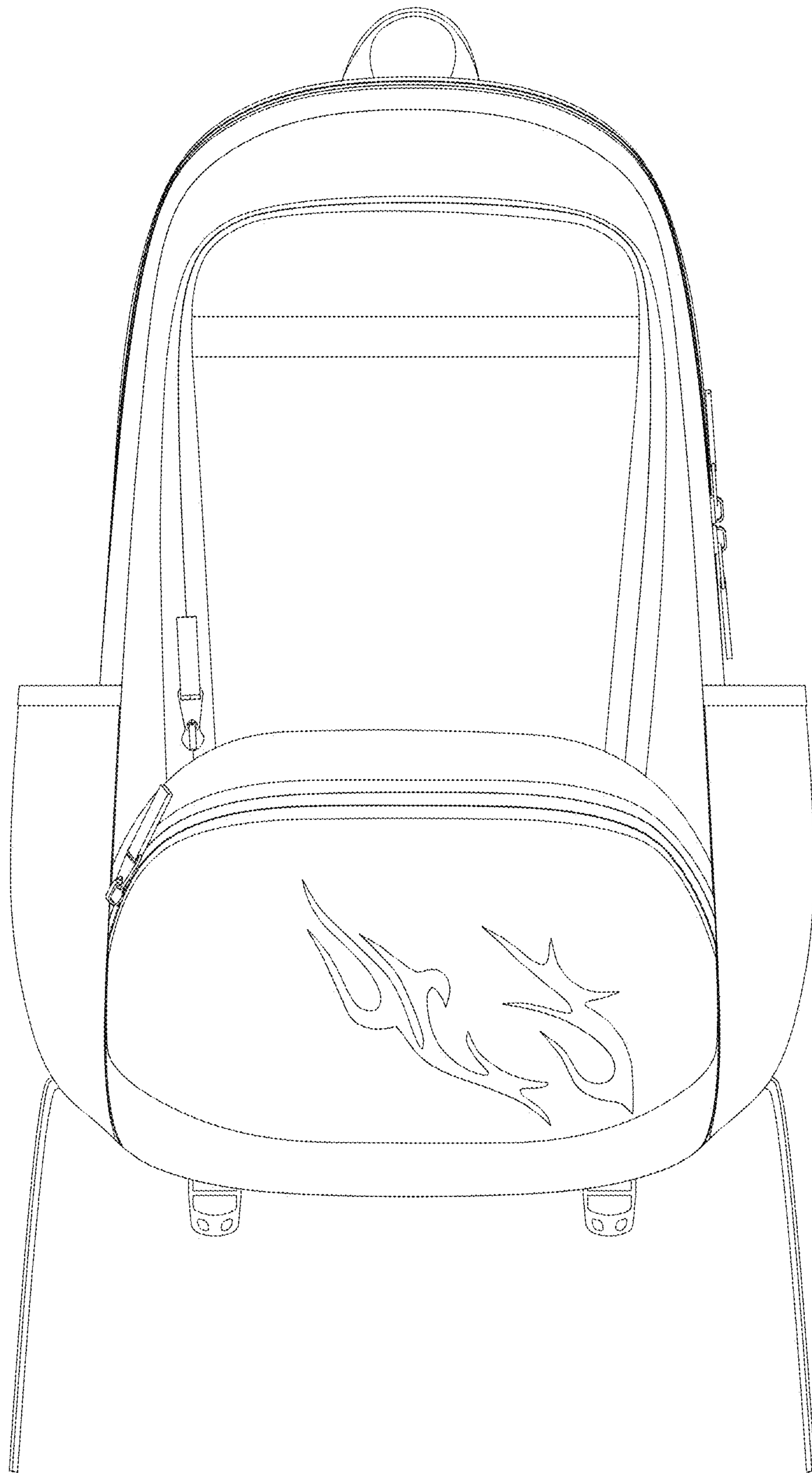


FIG. 4

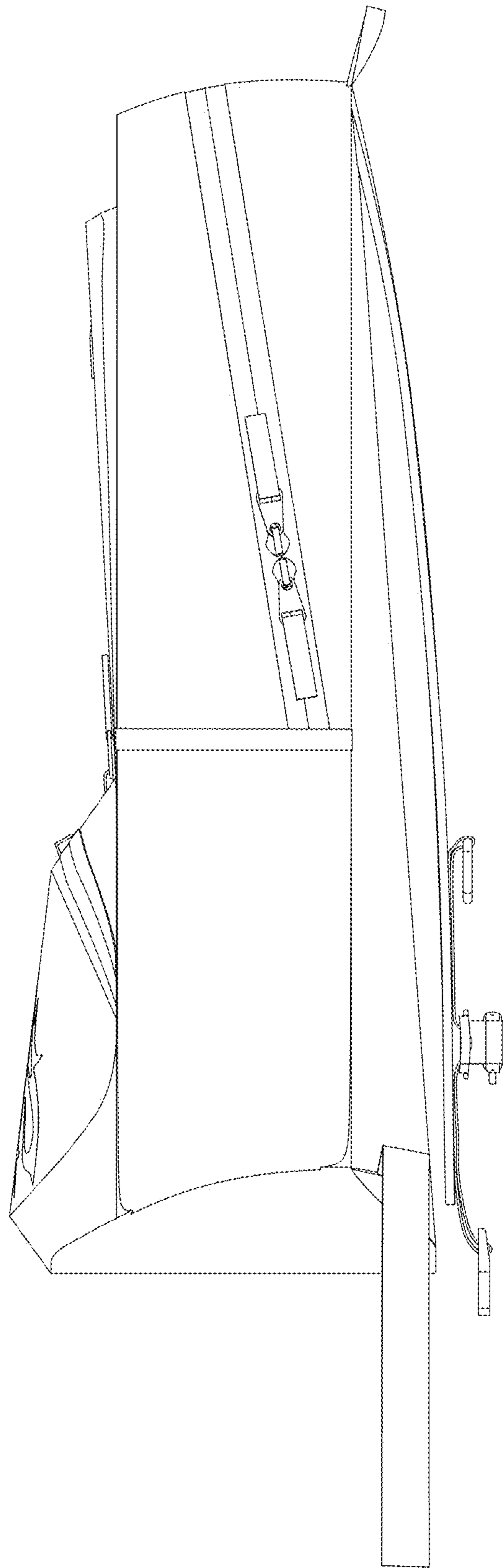


FIG. 5

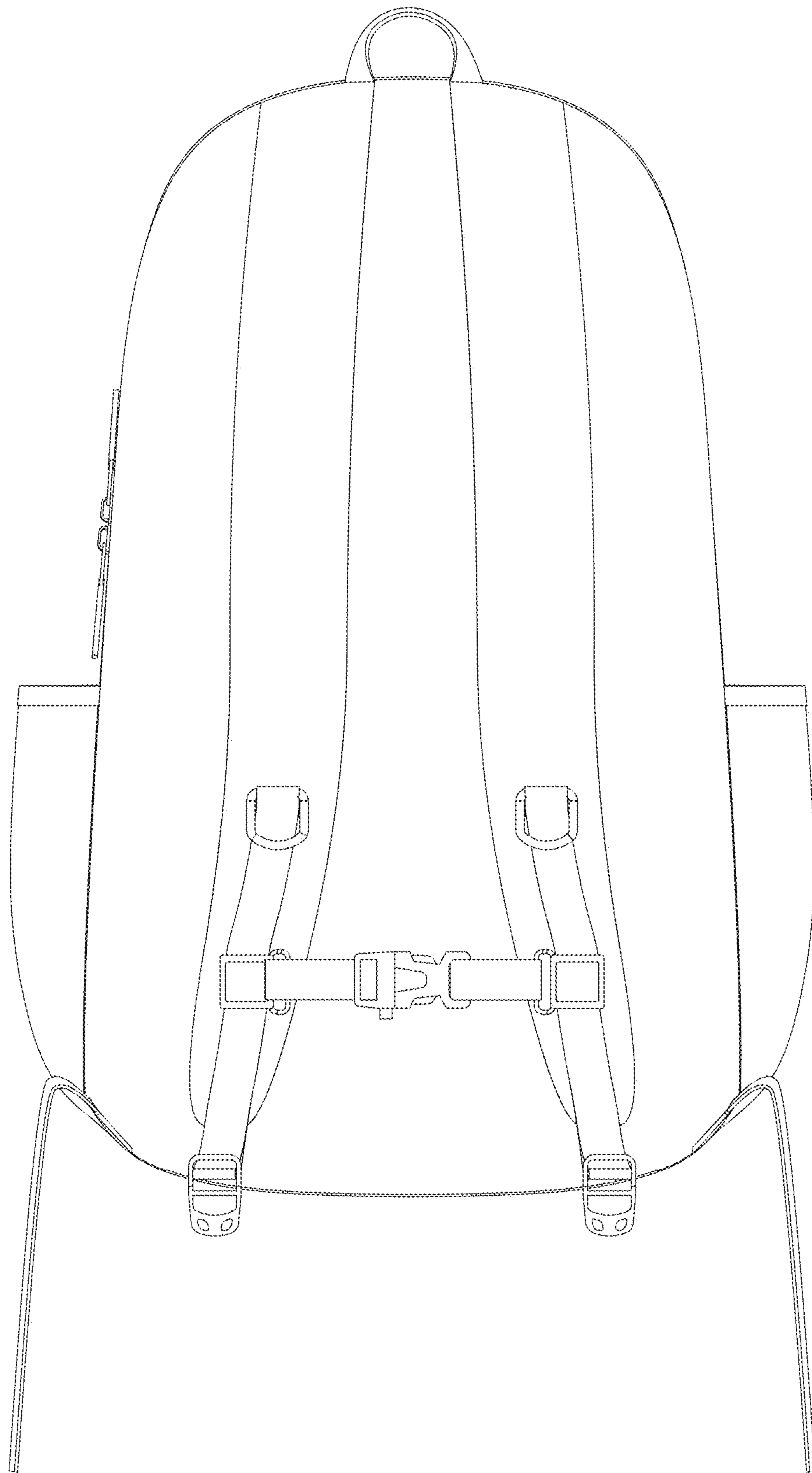


FIG. 6

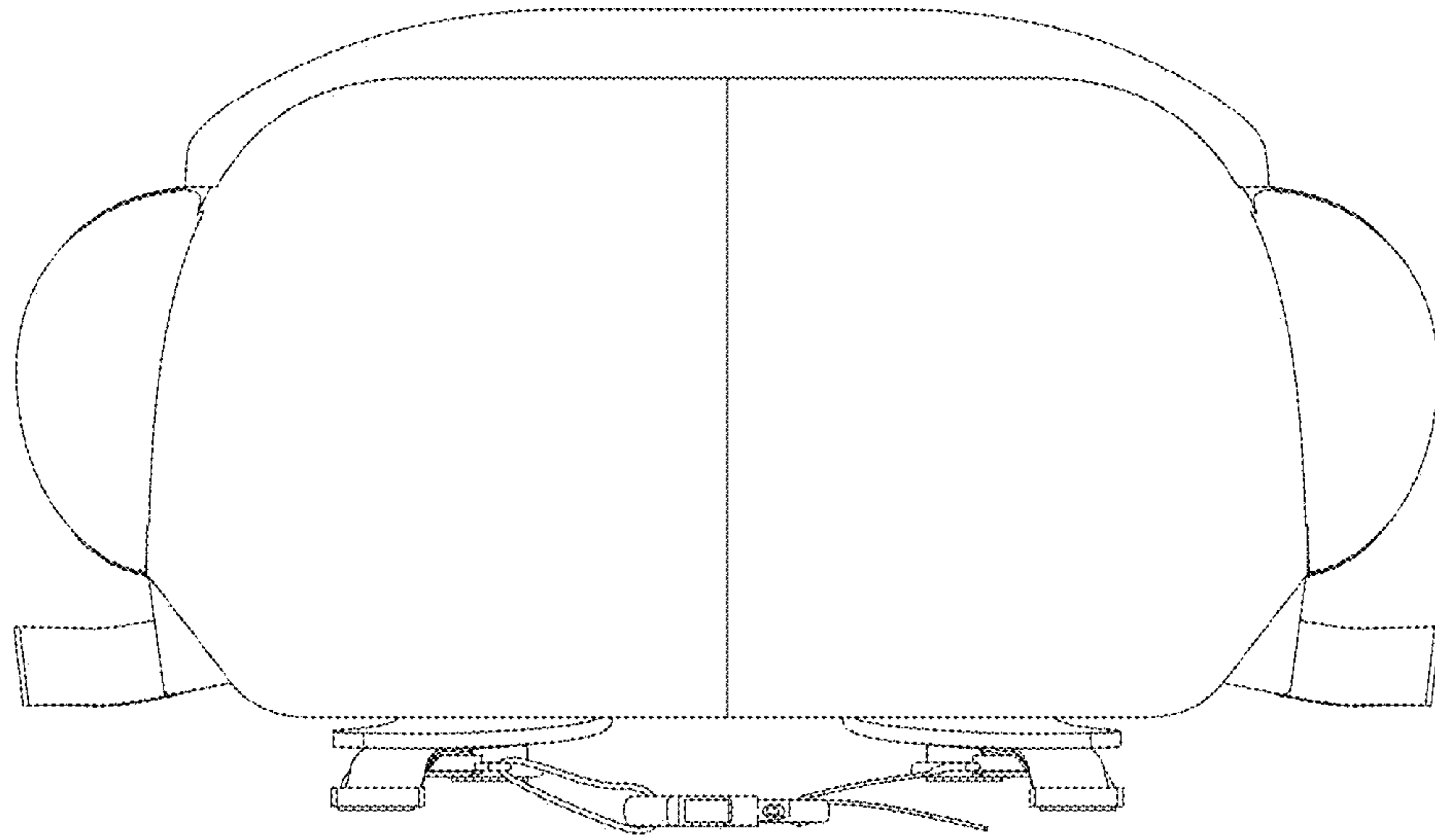


FIG. 7