



US00D945748S

(12) **United States Design Patent** (10) **Patent No.:** **US D945,748 S**
Peng (45) **Date of Patent:** **** Mar. 15, 2022**

(54) **HAT WITH HEADPHONES**
(71) Applicant: **SHENZHEN VANERGY TECHNOLOGY CO., LTD**, Shenzhen (CN)
(72) Inventor: **Xiong Peng**, Shenzhen (CN)
(73) Assignee: **SHENZHEN VANERGY TECHNOLOGY CO., LTD**, Shenzhen (CN)
(**) Term: **15 Years**
(21) Appl. No.: **29/780,802**
(22) Filed: **Apr. 27, 2021**
(51) **LOC (13) Cl.** **02-03**
(52) **U.S. Cl.**
USPC **D2/878**
(58) **Field of Classification Search**
USPC D2/865, 866, 867, 869, 870, 872, 873, D2/878, 879, 882, 883, 885, 886, 888, D2/889, 891, 895; D14/172, 205, 192; D26/39; D28/41
CPC .. A42B 1/00; A42B 1/004; A42B 1/02; A42B 1/04; A42B 1/041; A42B 1/061; A42B 1/062; A42B 1/066; A42B 1/12; A42B 1/24; A42B 1/242; A42B 1/225; A42B 1/248; A42C 5/00; H04R 1/02; H04R 1/105
See application file for complete search history.

D872,424 S * 1/2020 Schweiger D2/889
D913,984 S * 3/2021 Li D14/192
D917,840 S * 5/2021 Guo D2/878
D919,243 S * 5/2021 Guo D2/878
D938,080 S * 12/2021 Li D26/38
2011/0035862 A1* 2/2011 Mao H04R 1/028
2/209.13
2017/0251741 A1* 9/2017 Wang H04R 1/028
2020/0037685 A1* 2/2020 Graham A41D 1/002

OTHER PUBLICATIONS

Washable hat smart wireless music earphones beanie . . . [online]; [internet publication date unknown]; [retrieved from the internet on Jan. 25, 2022]; URL: https://www.alibaba.com/product-detail/Washable-hat-smart-wireless-music-earphones_1600095851493.html?spm=a2700.details.0.0.4761735dZ0aySN. (12 pages). (Year: 2022).*

(Continued)

Primary Examiner — Jasmine Mlinarcik

(57) **CLAIM**

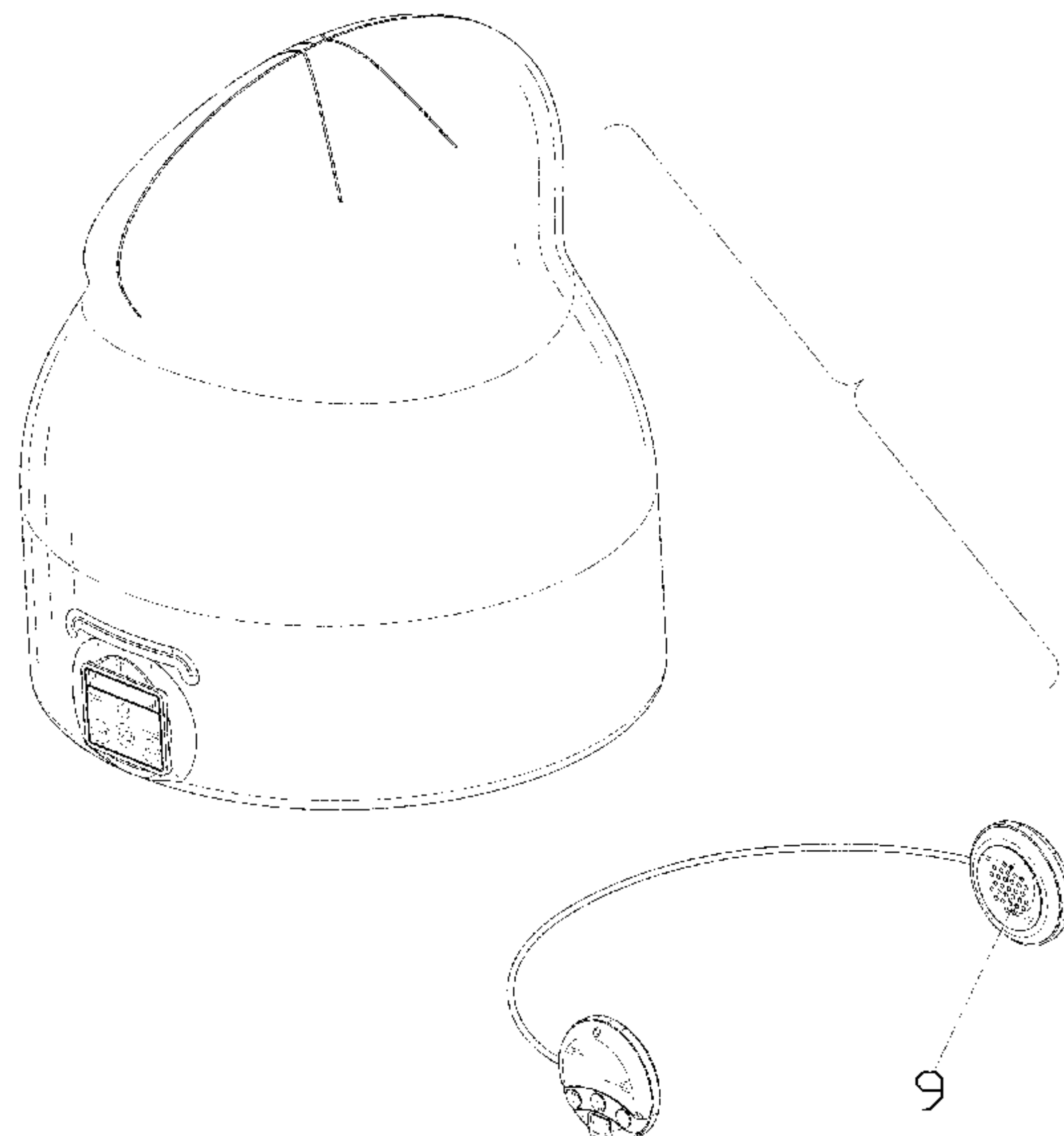
The ornamental design for a hat with headphones, as shown and described.

DESCRIPTION

FIG. 1 is a perspective view of a hat with headphones showing my new design;
FIG. 2 is another perspective view thereof;
FIG. 3 is a front elevational view thereof;
FIG. 4 is a rear elevational view thereof;
FIG. 5 is a left side elevational view thereof;
FIG. 6 is a right side elevational view thereof;
FIG. 7 is a top plan view thereof;
FIG. 8 is a bottom plan view thereof; and,
FIG. 9 is an enlarged view of portion 9 shown in FIG. 1.
The broken lines and the unshaded areas within the broken lines in the drawings depict portions of the hat with headphones that form no part of the claimed design.

1 Claim, 9 Drawing Sheets

(56) **References Cited**
U.S. PATENT DOCUMENTS
1,883,756 A * 10/1932 Bloom A42B 1/0188
2/172
D303,314 S * 9/1989 Pridgen D2/866
8,008,564 B2 * 8/2011 Wilens A42B 1/245
84/600
9,968,152 B2 * 5/2018 Chiang H03G 3/04



(56)

References Cited

OTHER PUBLICATIONS

Bluetooth Beanie Hat . . . [online]; [date first available to the internet on Jun. 4, 2021]; [retrieved from the internet on Jan. 25, 2022]; URL: https://www.amazon.com/Bluetooth-Wireless-Headset-Speakers-Birthday/dp/B096LZJ3WS?ref_=ast_sto_dp&th=1. (7 pages). (Year: 2021).*

Bluetooth Beanie, Stereo Knit Music Hat . . . [online]; [date first available to the internet on Aug. 13, 2019]; [retrieved from the internet on Jan. 25, 2022]; URL: https://www.amazon.com/Bluetooth-Wireless-Headphone-Upgraded-Suitable/dp/B07WDCJ3RK/ref=sr_1_2?keywords=ZRUHIG&qid=1643122612&sr=8-2&th=1. (10 pages).*

“Hat with Bluetooth Speaker Adjustable Bluetooth Hat Wireless Smart Speakerphone Cap for Outdoor Sport Baseball Cap is The Best Gifts for Men/Women/Boys/Girls”, Retrieved Apr. 27, 2021]. Retrieved from Internet, <https://www.amazon.com/Bluetooth-Headphones-Wireless-Speakerphone-Baseball/dp/B081DRDV4K/ref>.

“HIGHEVER Music Hat with Headphones, Built-in Microphone Fit for Outdoor Sports, Fully Washable, Best Gifts for Christmas”, Retrieved Apr. 27, 2021]. Retrieved from Internet, <https://www.amazon.com/Bluetooth-Wireless-Headphones-Microphone-Christmas/dp/B07Q4PTSSZ/ref>.

* cited by examiner

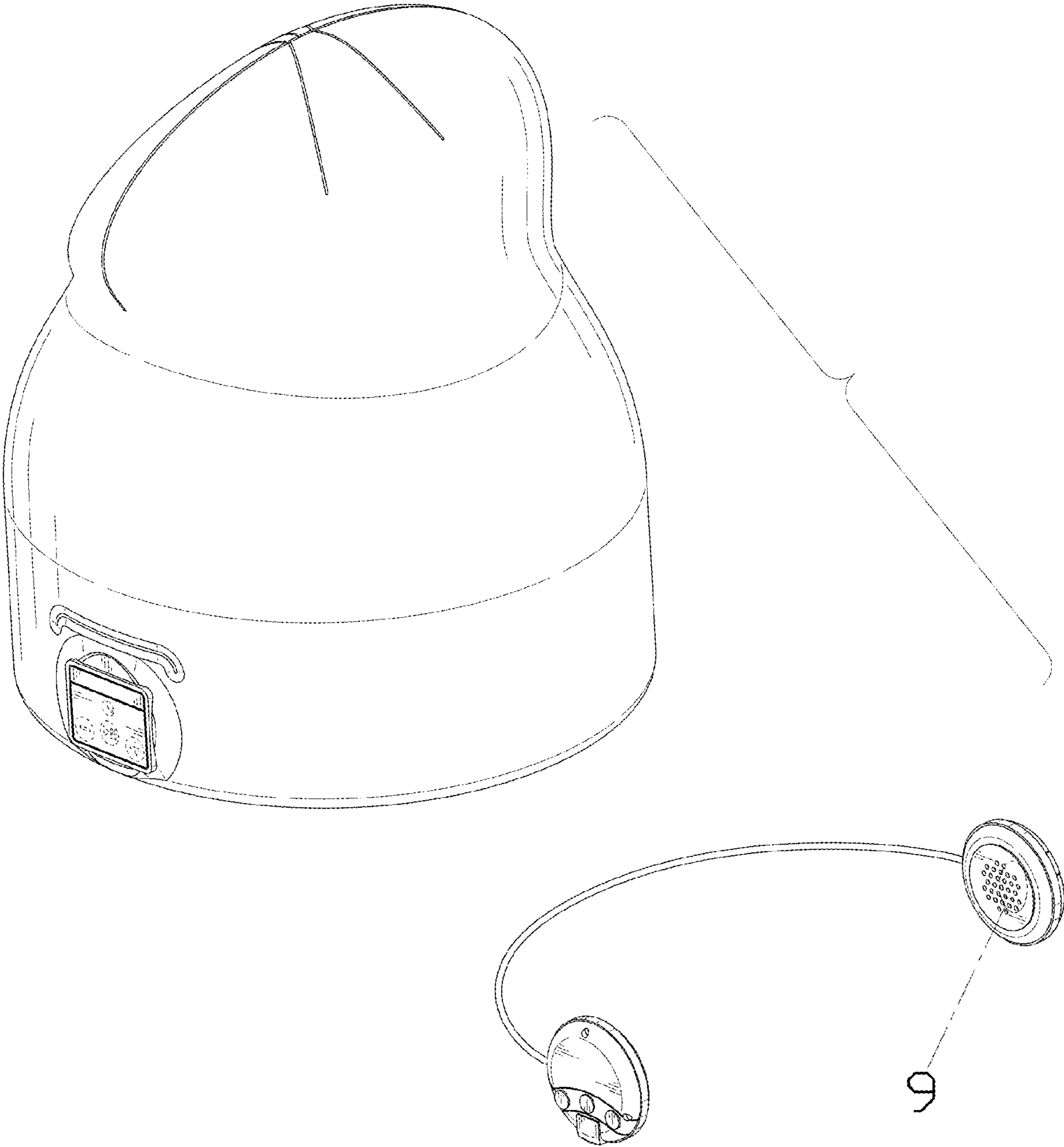


FIG. 1

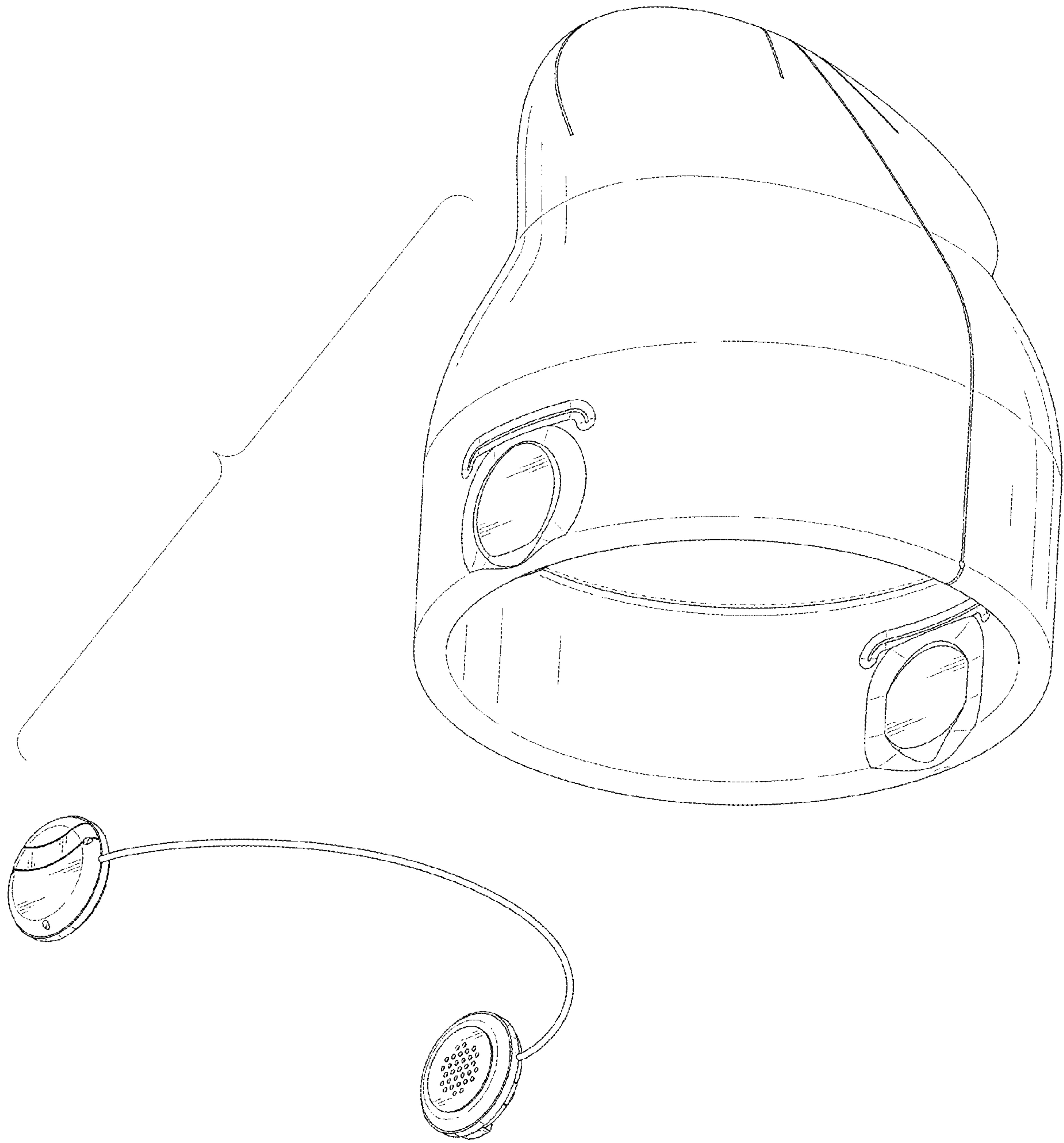


FIG. 2

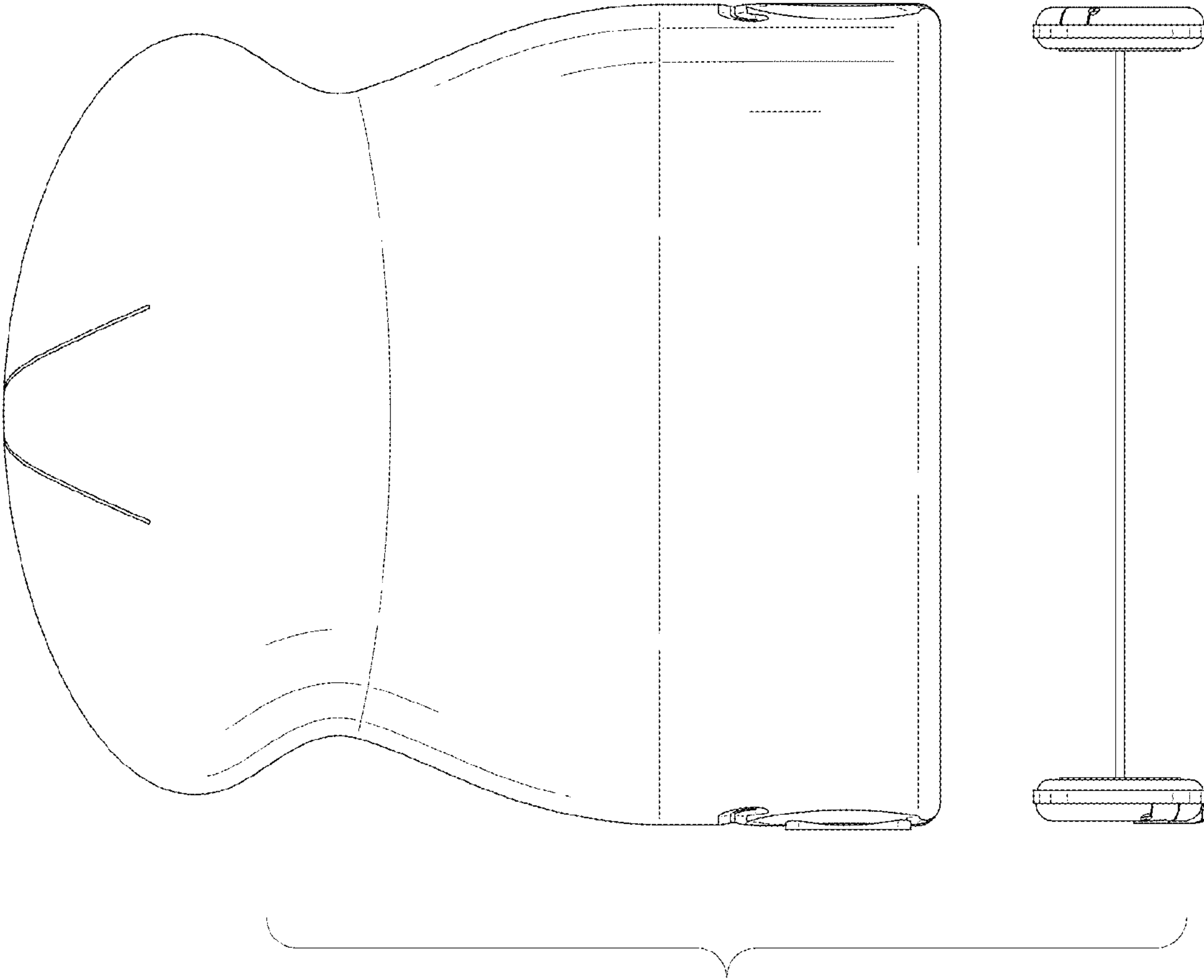


FIG. 3

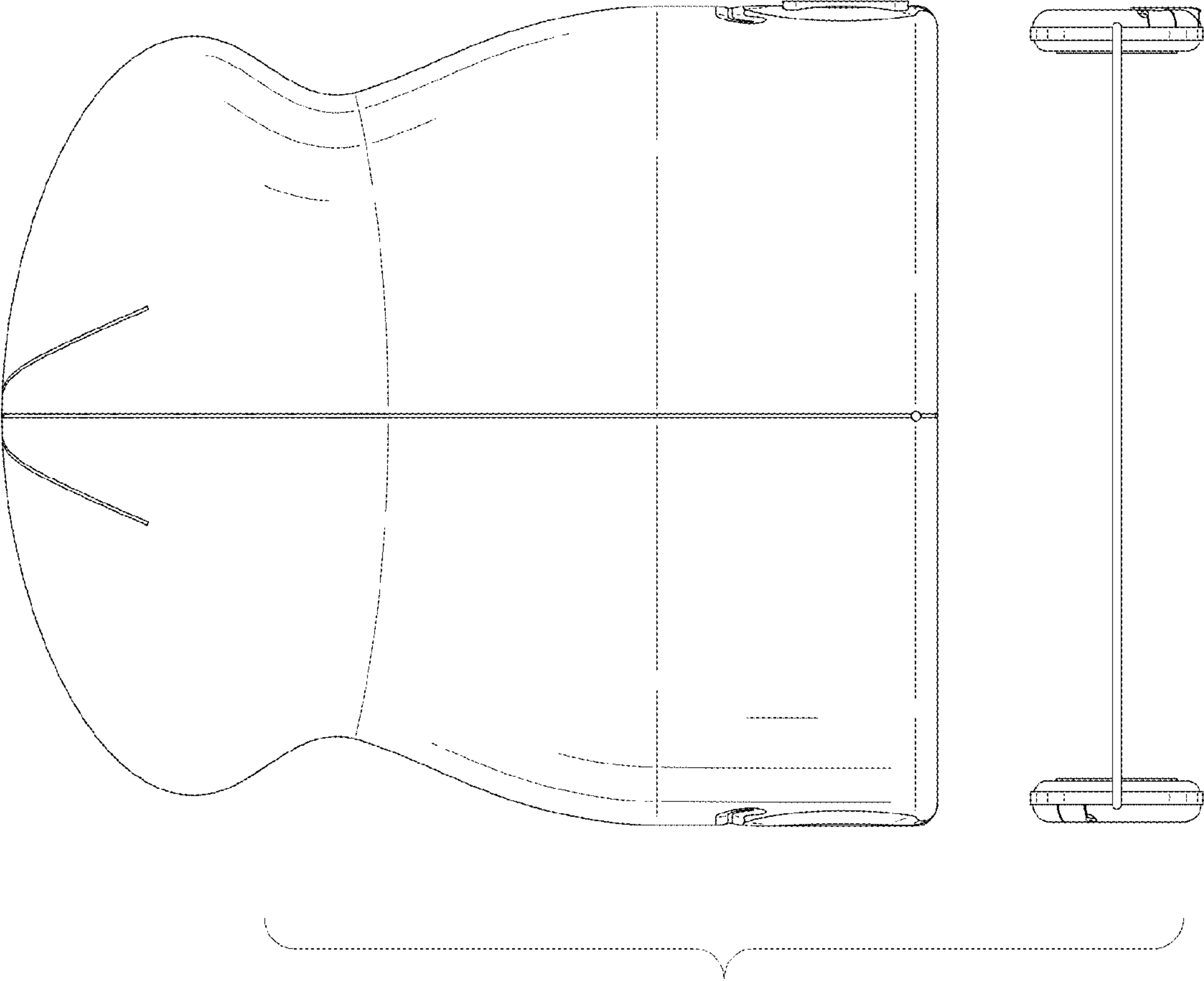


FIG. 4

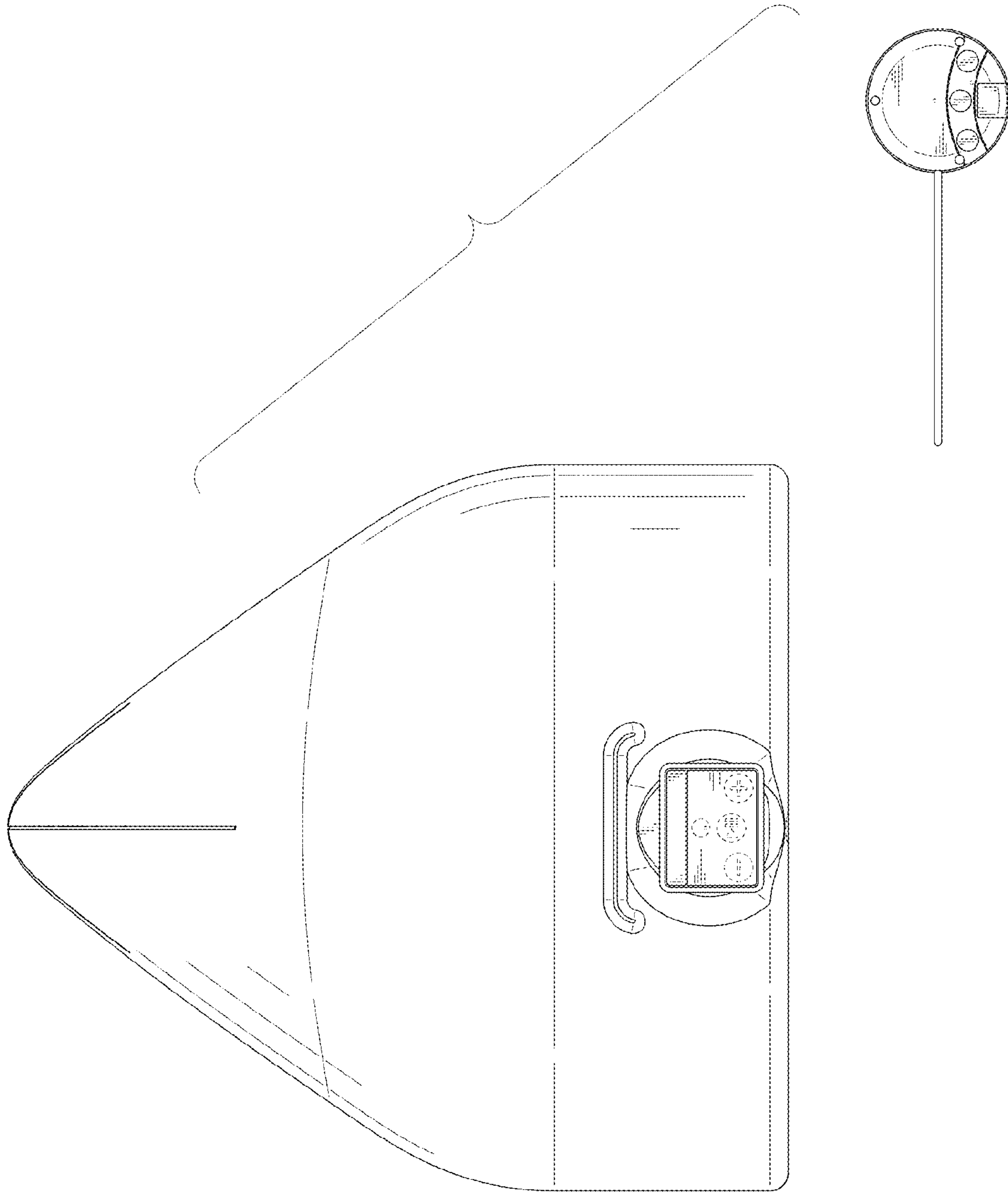


FIG. 5

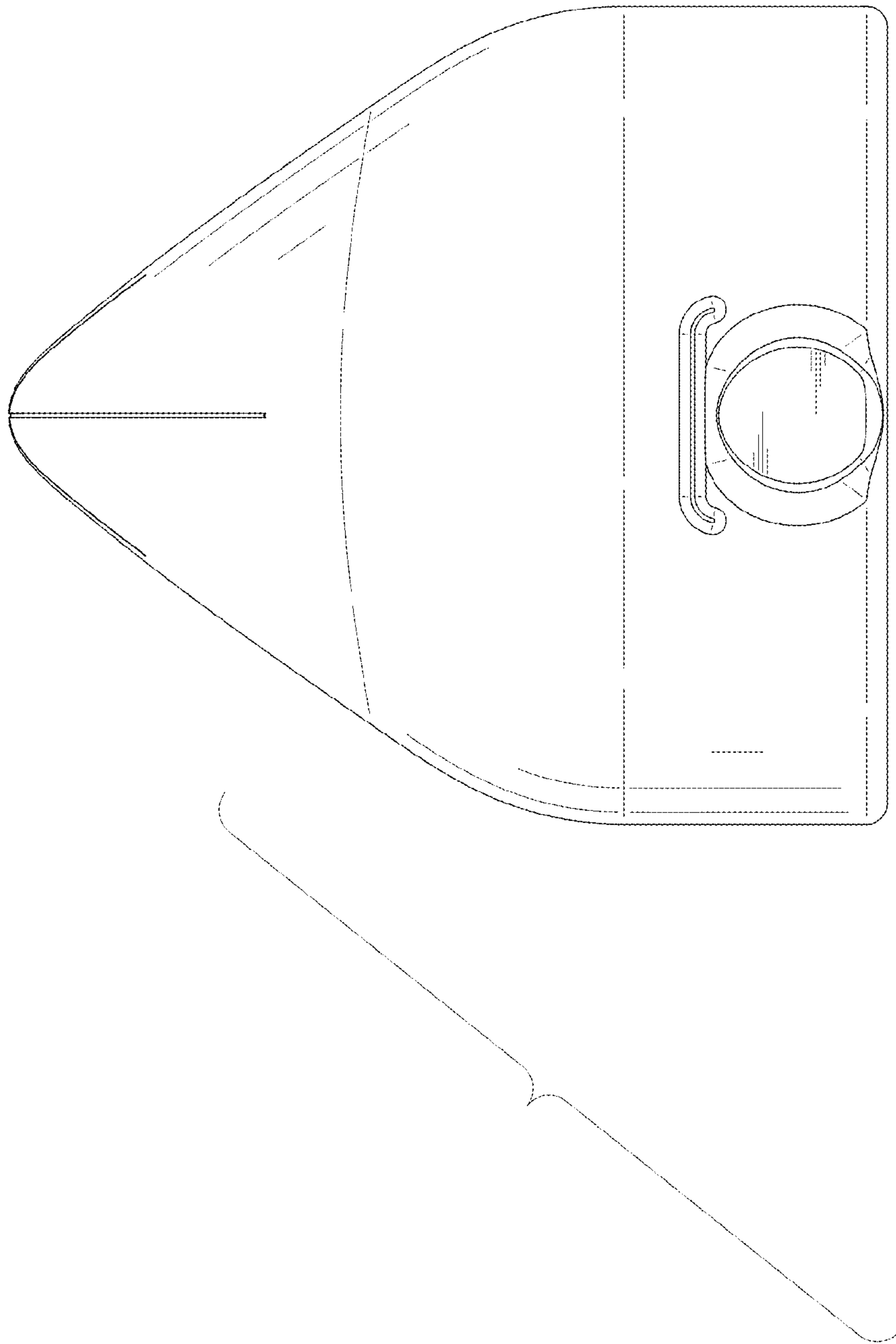


FIG. 6

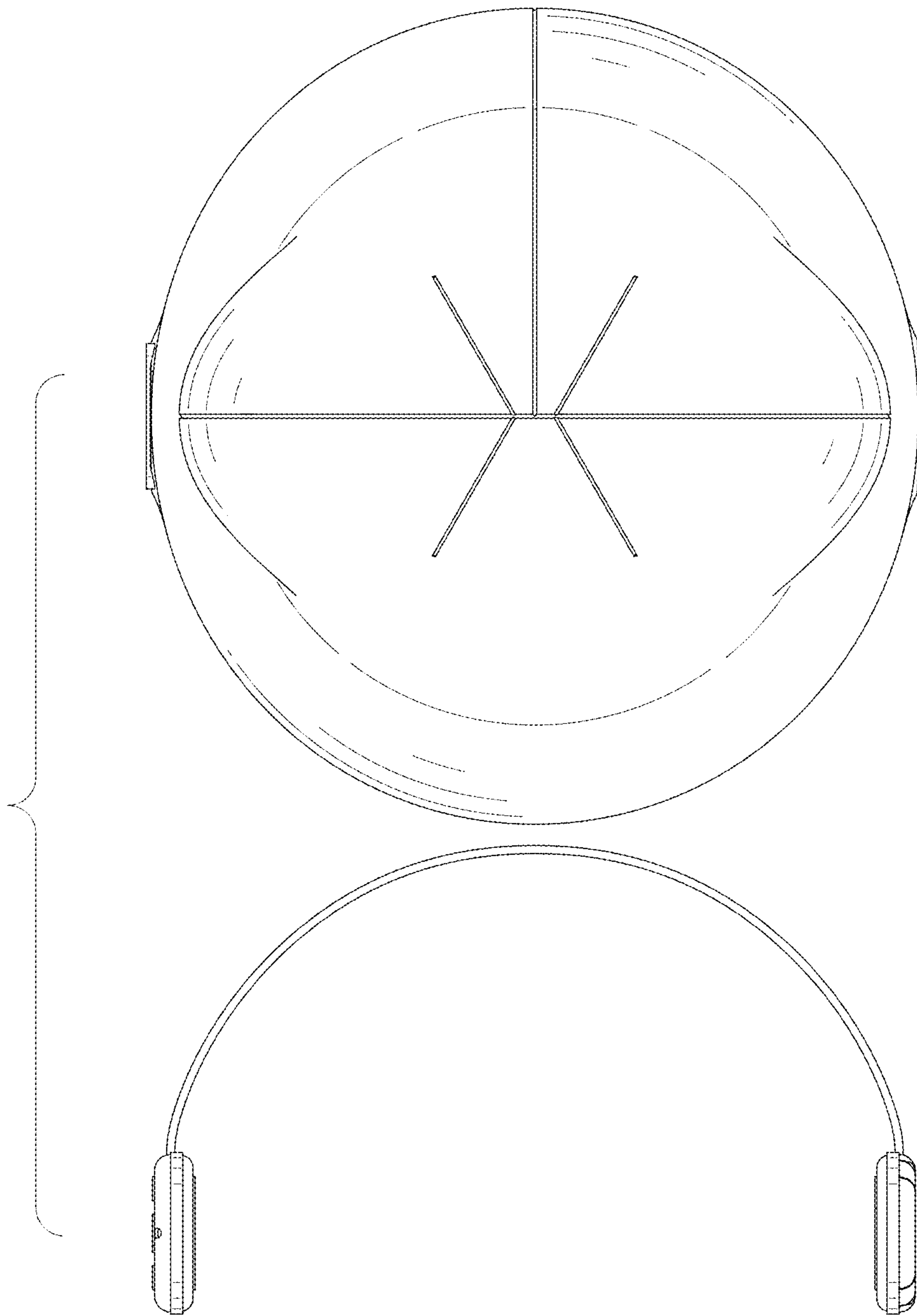


FIG. 7

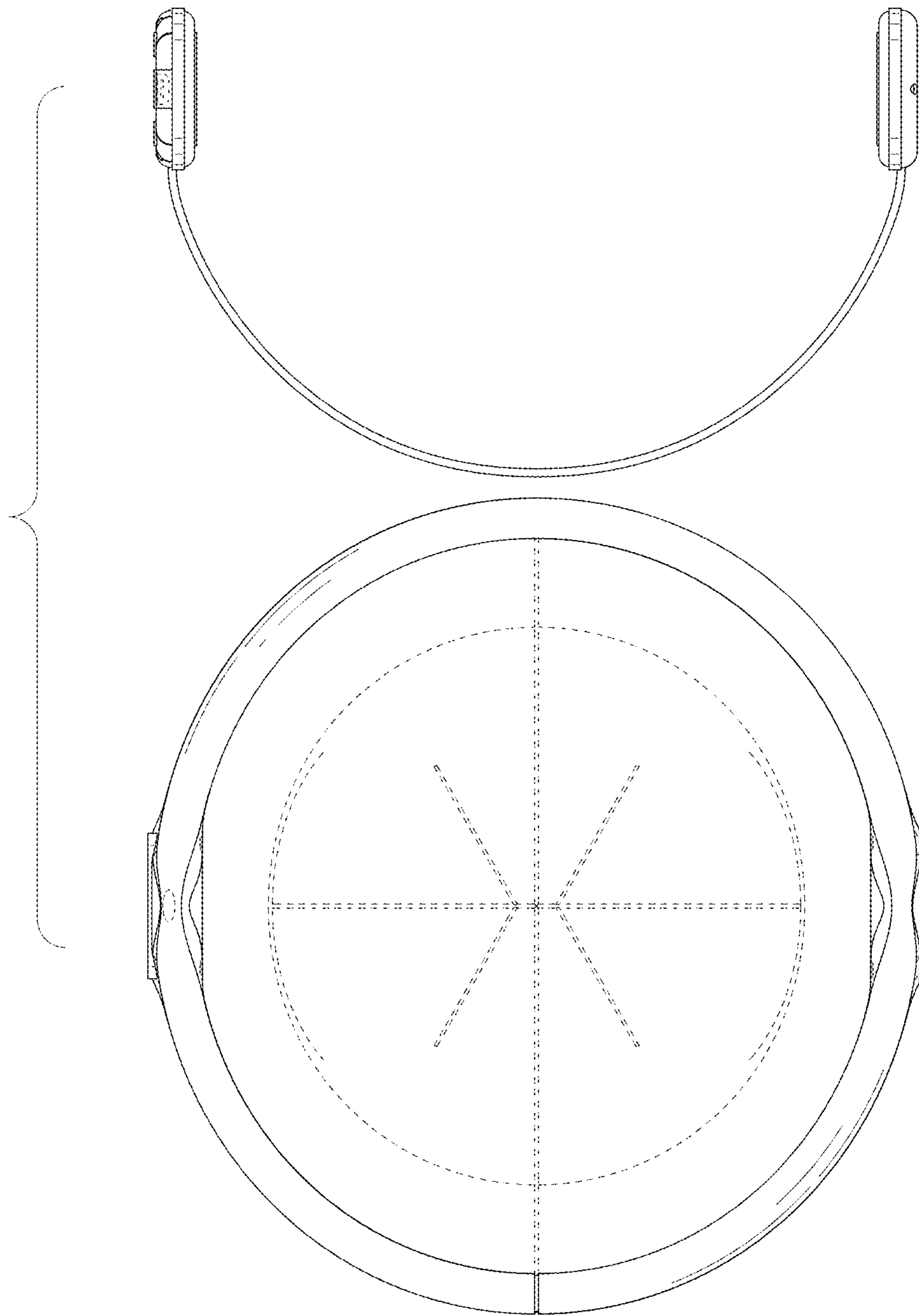


FIG. 8

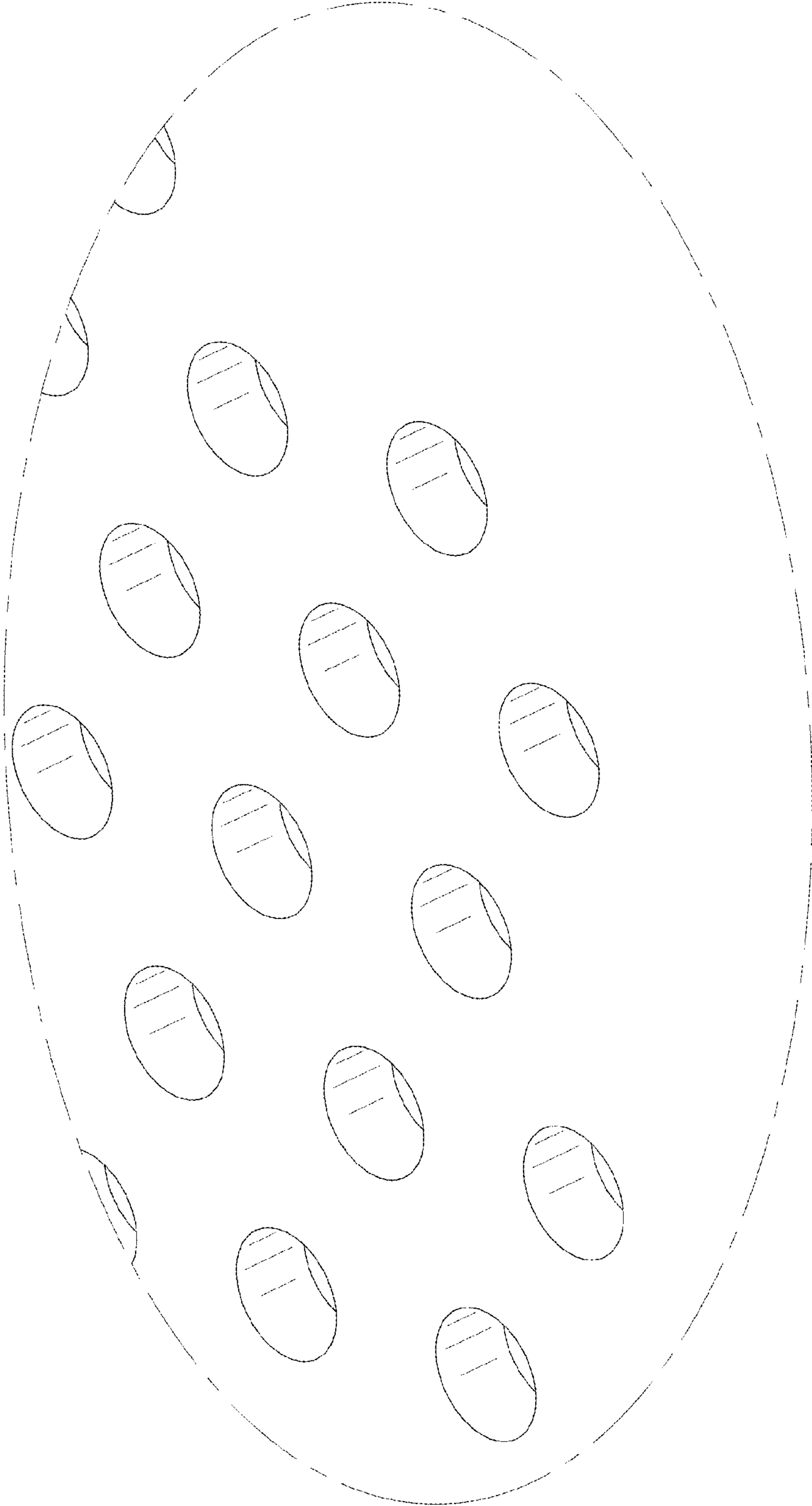


FIG. 9