



US00D945743S

(12) **United States Design Patent**
Calhoun-Dulaney

(10) **Patent No.:** **US D945,743 S**
(45) **Date of Patent:** **** Mar. 15, 2022**

(54) **SKIRT WITH INTEGRATED POCKET FOR AN INSULIN PUMP**

FOREIGN PATENT DOCUMENTS

(71) Applicant: **Erin Calhoun-Dulaney**, Sherman Oaks, CA (US)

CN 201479998 * 5/2010
CN 208624668 * 3/2019

(72) Inventor: **Erin Calhoun-Dulaney**, Sherman Oaks, CA (US)

OTHER PUBLICATIONS

(**) Term: **15 Years**

SKIRTMYPUMP posted to instagram, available date Mar. 6, 2021 [site visited May 24, 2021] Available: <<https://www.instagram.com/p/CMFt-oEhH9O/>> (Year: 2021).*

(21) Appl. No.: **29/717,083**

(Continued)

(22) Filed: **Dec. 13, 2019**

Primary Examiner — Kevin K Rudzinski
(74) *Attorney, Agent, or Firm* — Garon & Gutierrez, PC

(51) **LOC (13) Cl.** **02-02**

(57) **CLAIM**

(52) **U.S. Cl.**

The ornamental design for a skirt with integrated pocket for an insulin pump, as shown and described.

USPC **D2/720**

(58) **Field of Classification Search**

DESCRIPTION

USPC D2/720, 721, 722, 851, 717
CPC A41D 27/20
See application file for complete search history.

FIG. 1 is a perspective view of a skirt with integrated pocket for an insulin pump, showing my new design;
FIG. 2 is a perspective sectional view of the skirt with integrated pocket for an insulin pump of FIG. 1 showing design elements of the integrated pocket;
FIG. 3 is a front side elevation of the skirt with integrated pocket for an insulin pump of FIG. 1;
FIG. 4 is a back-side elevation view of the skirt with integrated pocket for an insulin pump of FIG. 1;
FIG. 5 is a right-side elevation view of the skirt with integrated pocket for an insulin pump of FIG. 1;
FIG. 6 is a left-side elevation view of the skirt with integrated pocket for an insulin pump of FIG. 1;
FIG. 7 is a top plan view of the skirt with integrated pocket for an insulin pump of FIG. 1; and,
FIG. 8 is a bottom plan view of the skirt with integrated pocket for an insulin pump of FIG. 1.
Any features shown in broken lines in the various figures are for illustrating environmental structure and form no part of the claimed design.

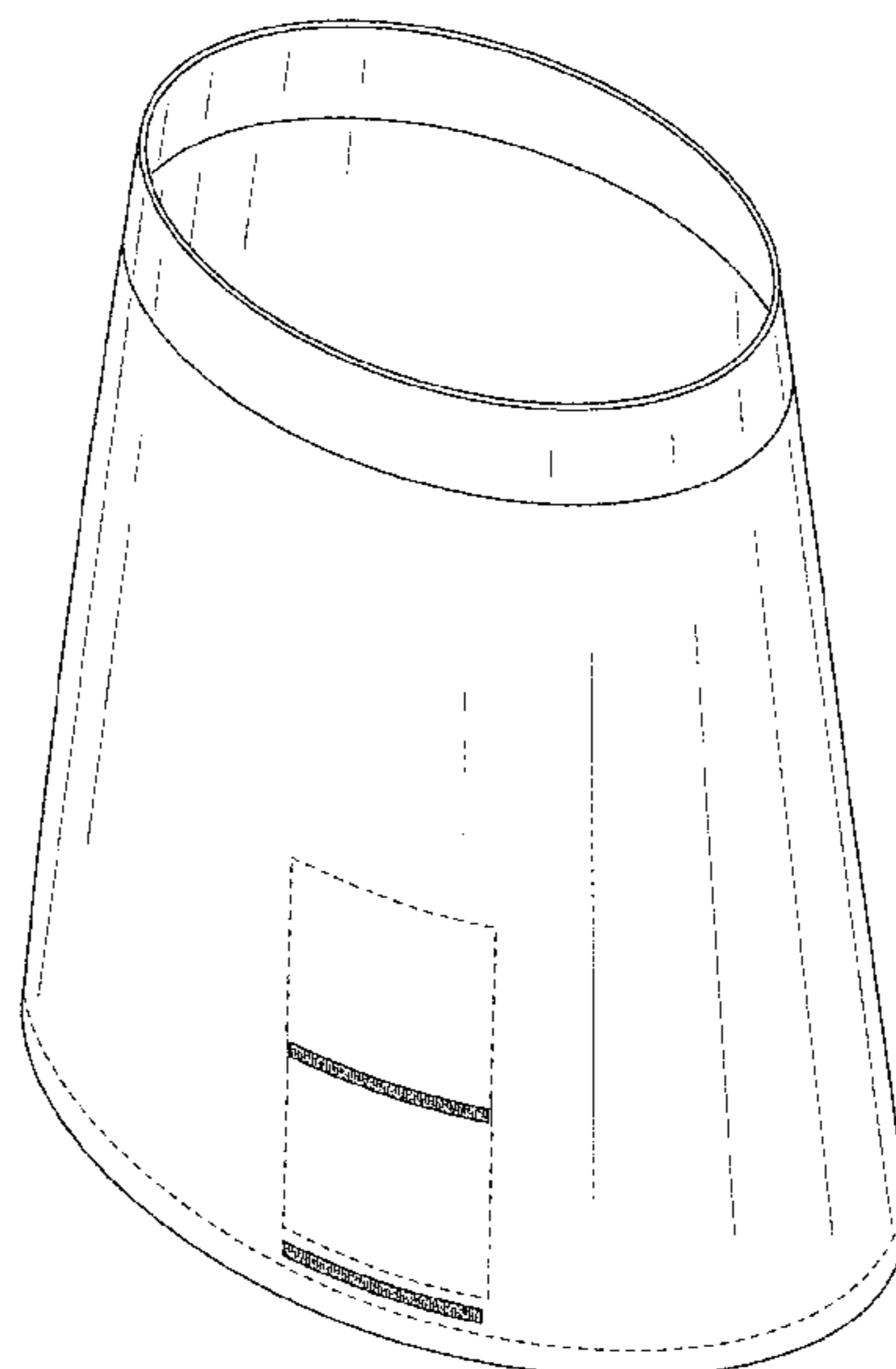
(56) **References Cited**

U.S. PATENT DOCUMENTS

1,196,324 A * 8/1916 Atkins A41D 1/14
2/211
2,544,840 A * 3/1951 Kowatsch A41D 27/208
2/67
4,106,125 A * 8/1978 Palumbo A41D 15/02
2/213
4,464,798 A * 8/1984 Livingstone A41D 27/20
2/247
4,498,200 A * 2/1985 Livingstone A41D 27/20
2/211
5,174,305 A * 12/1992 Childs A41D 13/1254
128/846
6,296,164 B1 * 10/2001 Russo A61F 5/449
224/581
D530,885 S * 10/2006 Barthel D2/720
D553,826 S * 10/2007 Austin D2/716

(Continued)

1 Claim, 6 Drawing Sheets



(56)

References Cited

U.S. PATENT DOCUMENTS

8,321,964 B2 * 12/2012 Gernes A41B 9/001
2/400
9,345,309 B1 * 5/2016 Hyzdu A61M 5/14244
D822,343 S * 7/2018 Nabbout D2/720
10,207,079 B2 * 2/2019 Fee A61M 25/02
10,219,553 B2 * 3/2019 Curran A41D 27/285
10,306,939 B2 * 6/2019 Huang A41D 1/06
D919,233 S * 5/2021 Johnson D2/738
D926,439 S * 8/2021 French D2/857
D926,440 S * 8/2021 French D2/857
2006/0047256 A1 * 3/2006 Levesque A61F 5/449
604/345
2011/0145969 A1 * 6/2011 Witten A41D 13/1281
2/69
2014/0259299 A1 * 9/2014 Sievwright A41D 27/20
2/252
2016/0037843 A1 * 2/2016 Cook A41D 27/205
2/400
2016/0256312 A1 * 9/2016 Mastracci A47K 11/12
2019/0014836 A1 * 1/2019 Zingaro A41D 13/129
2021/0274855 A1 * 9/2021 Hermsen A41B 9/001

OTHER PUBLICATIONS

Mid-Length Skirt posted to gosportit.com. Available date: Oct. 10, 2017 [site visited Oct. 12, 2021] Available: <<https://www.gosportit.com/products/mid-length-skirt>> (Year: 2017).*

* cited by examiner

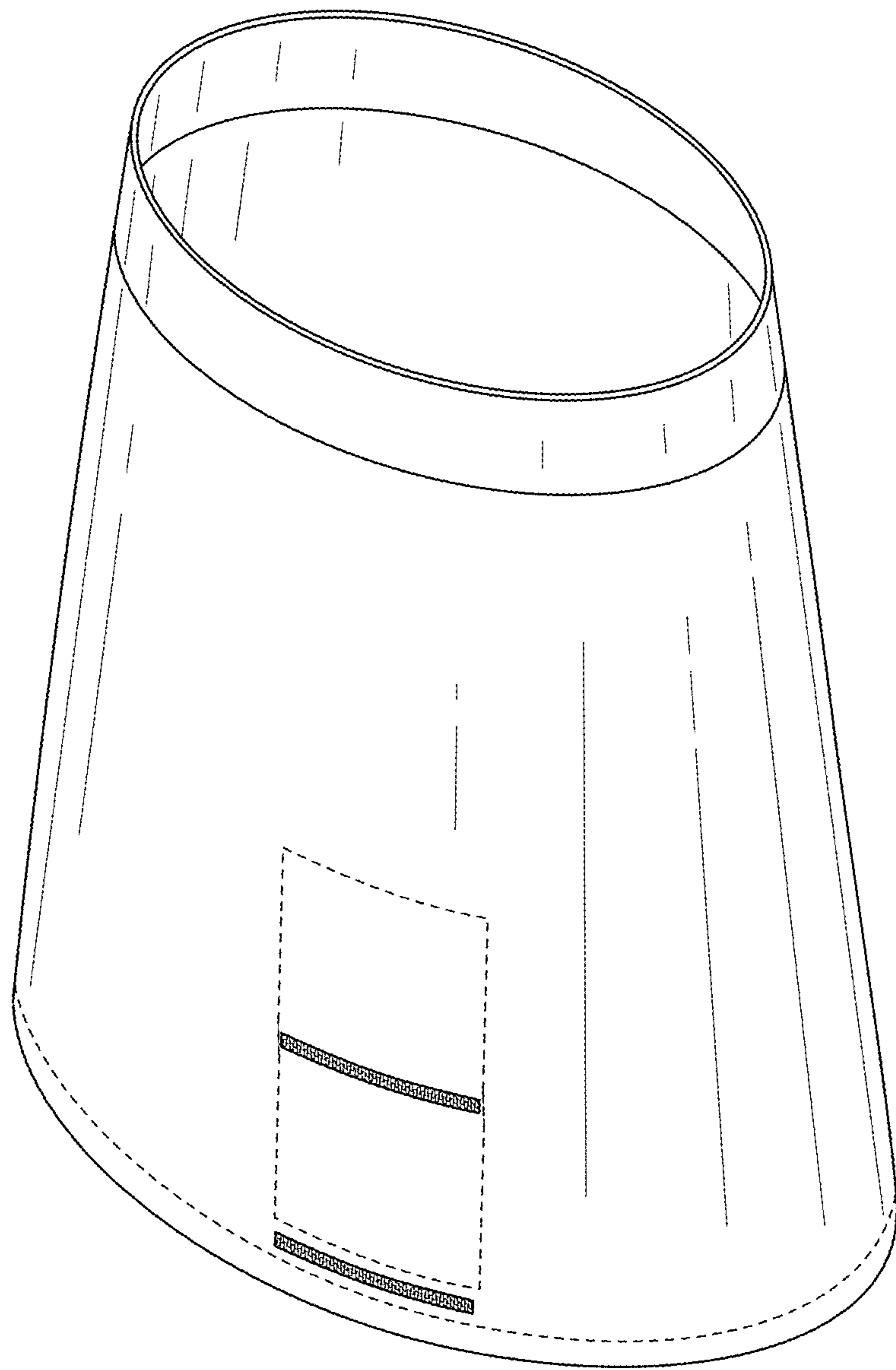


FIG. 1

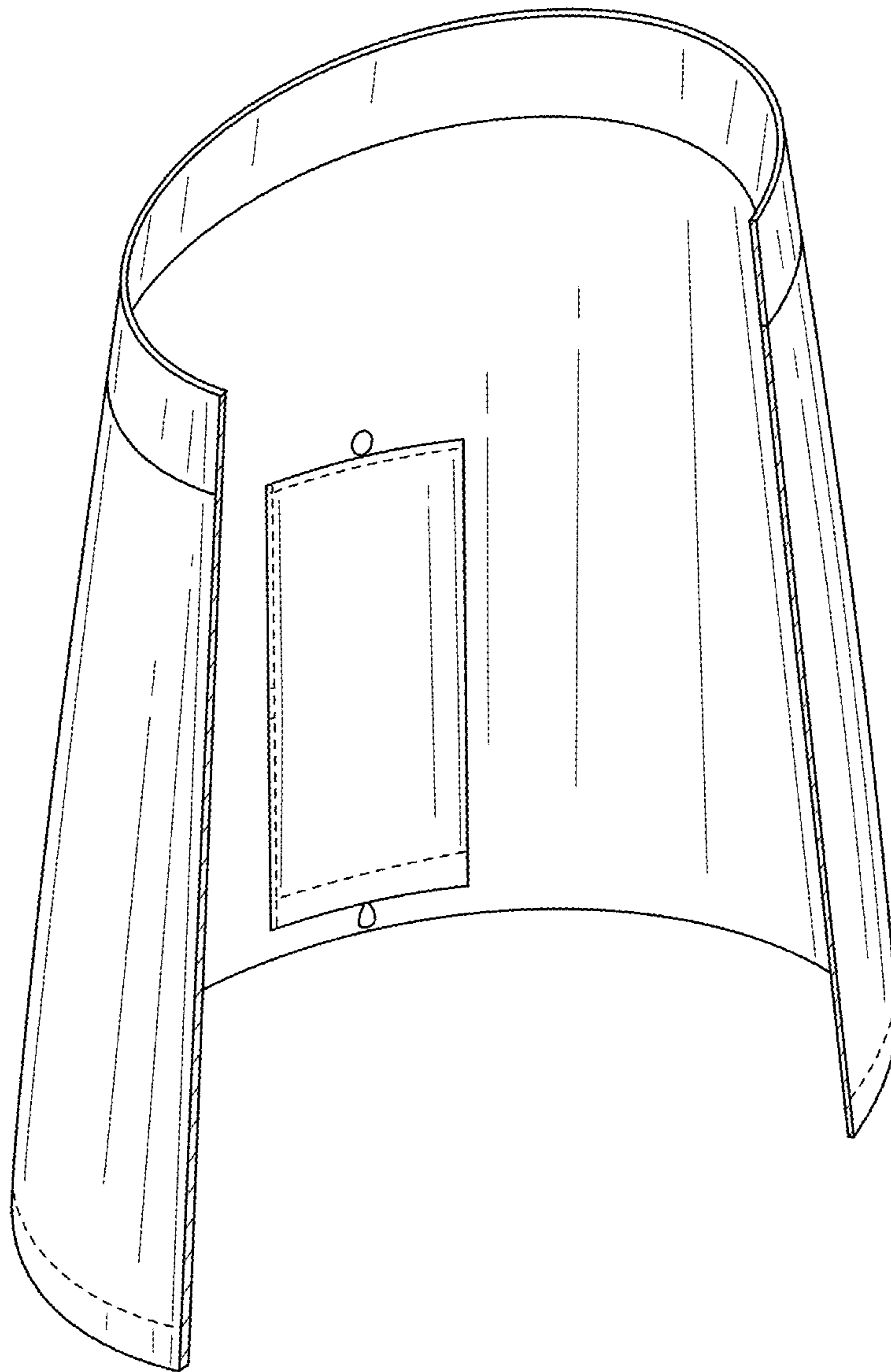


FIG. 2

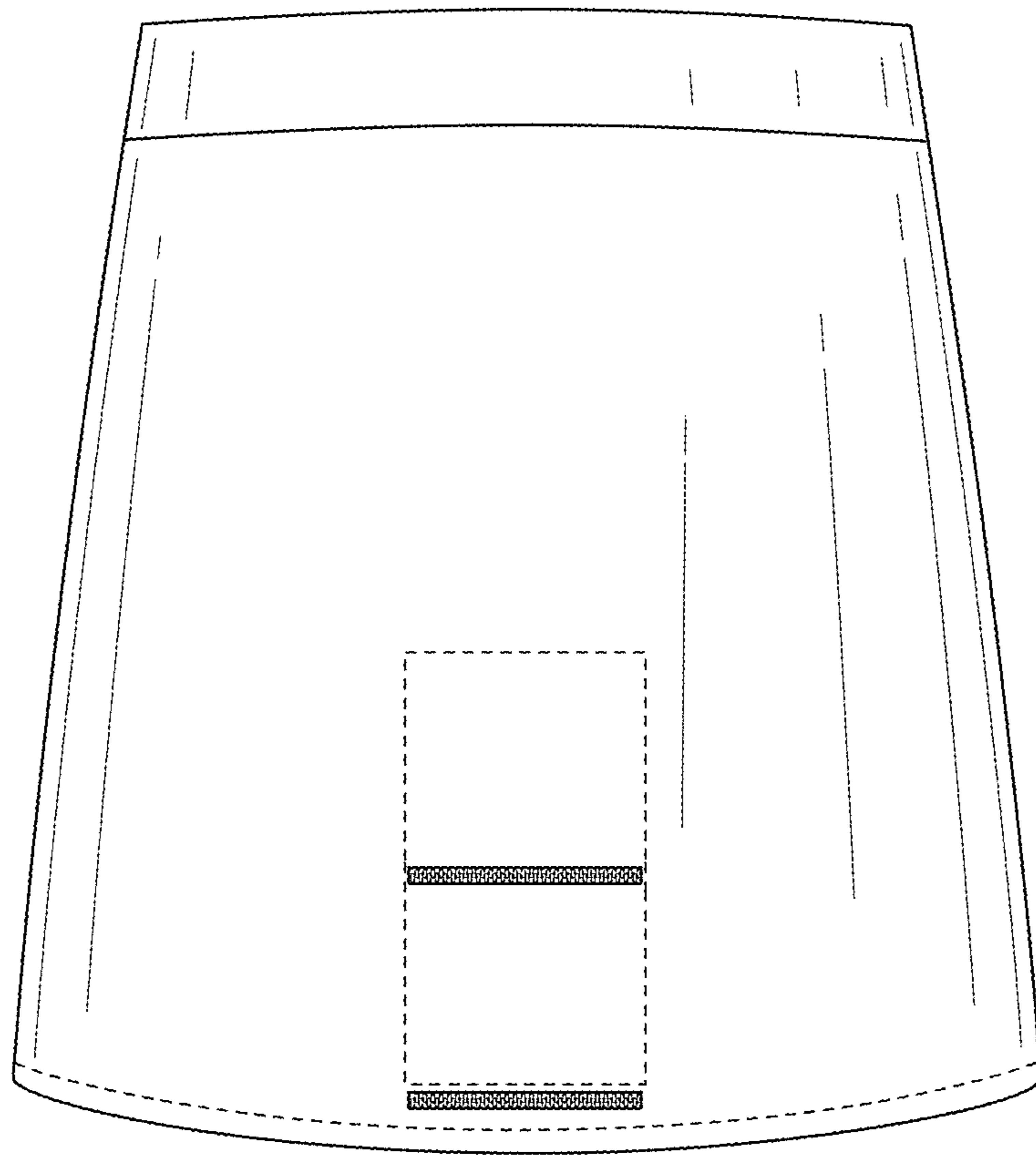


FIG. 3

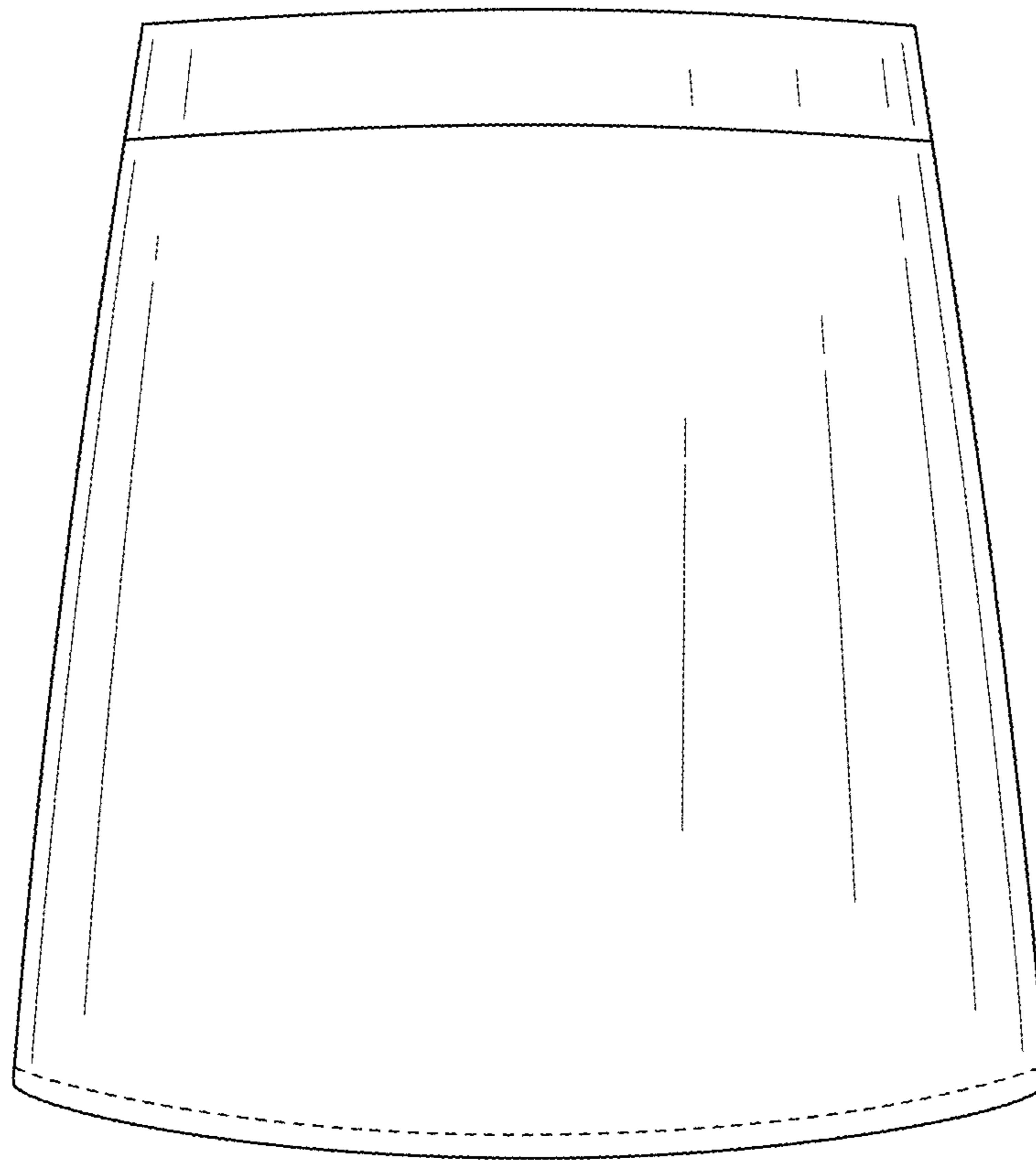


FIG. 4

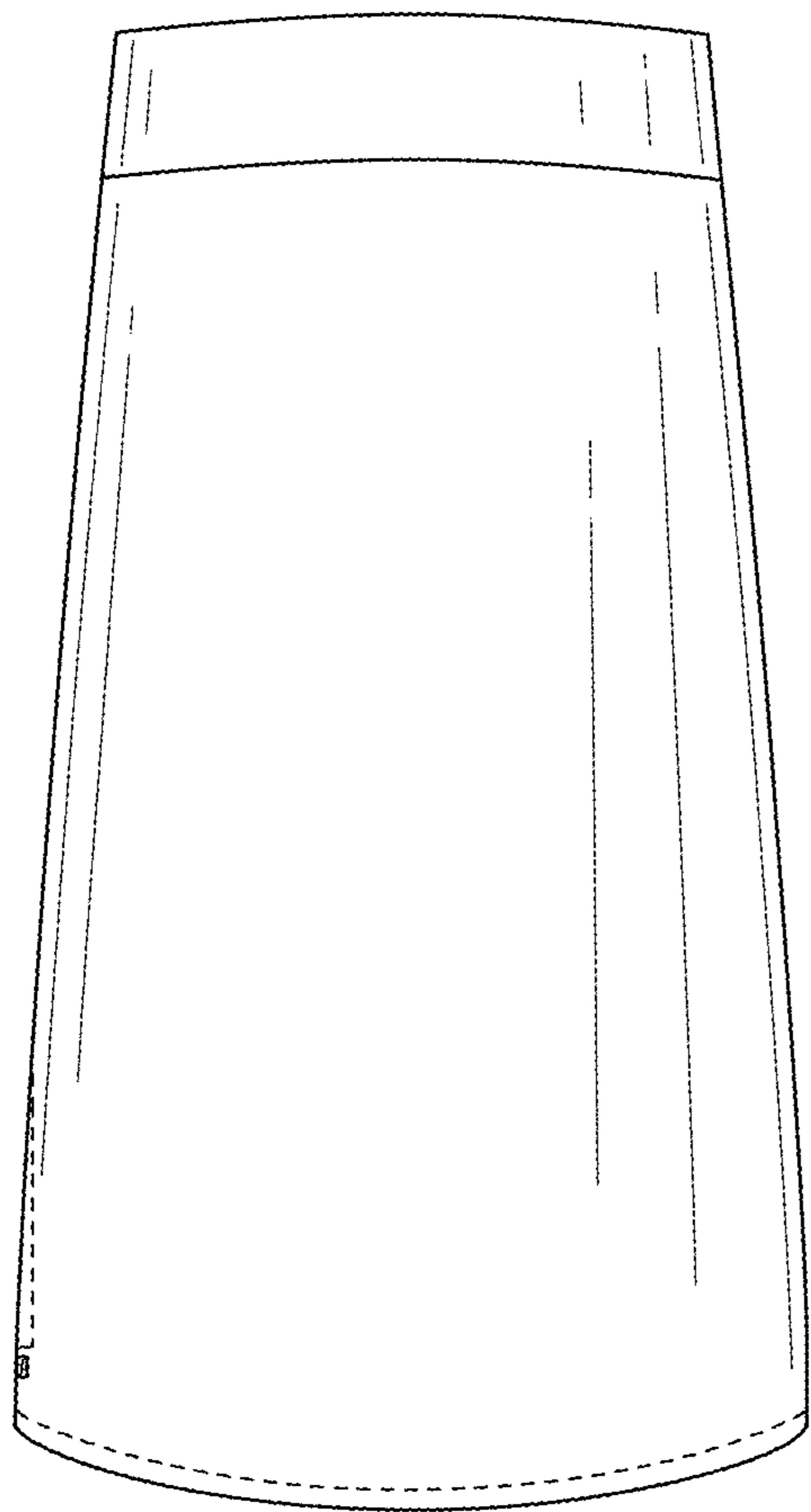


FIG. 5

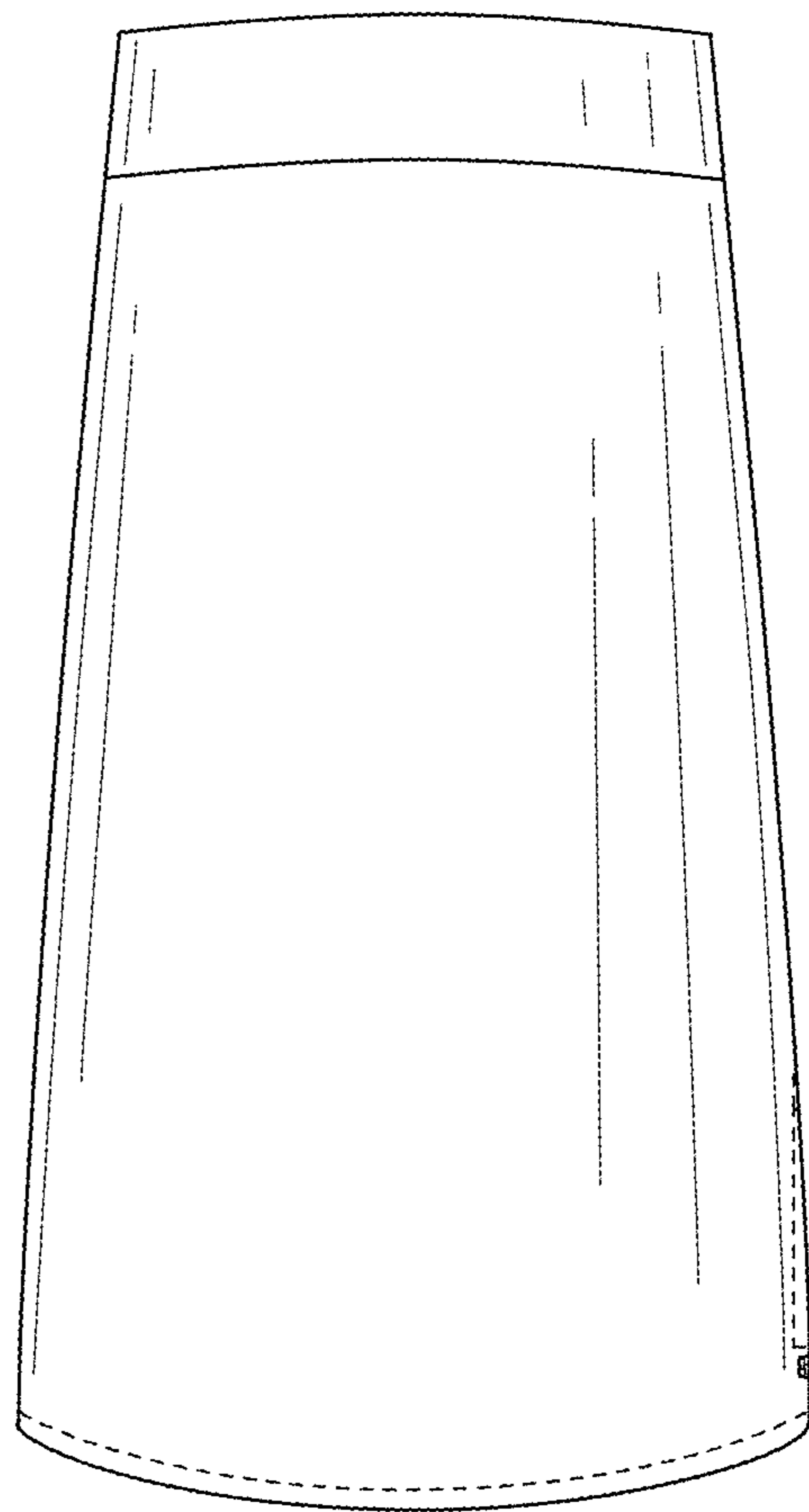


FIG. 6

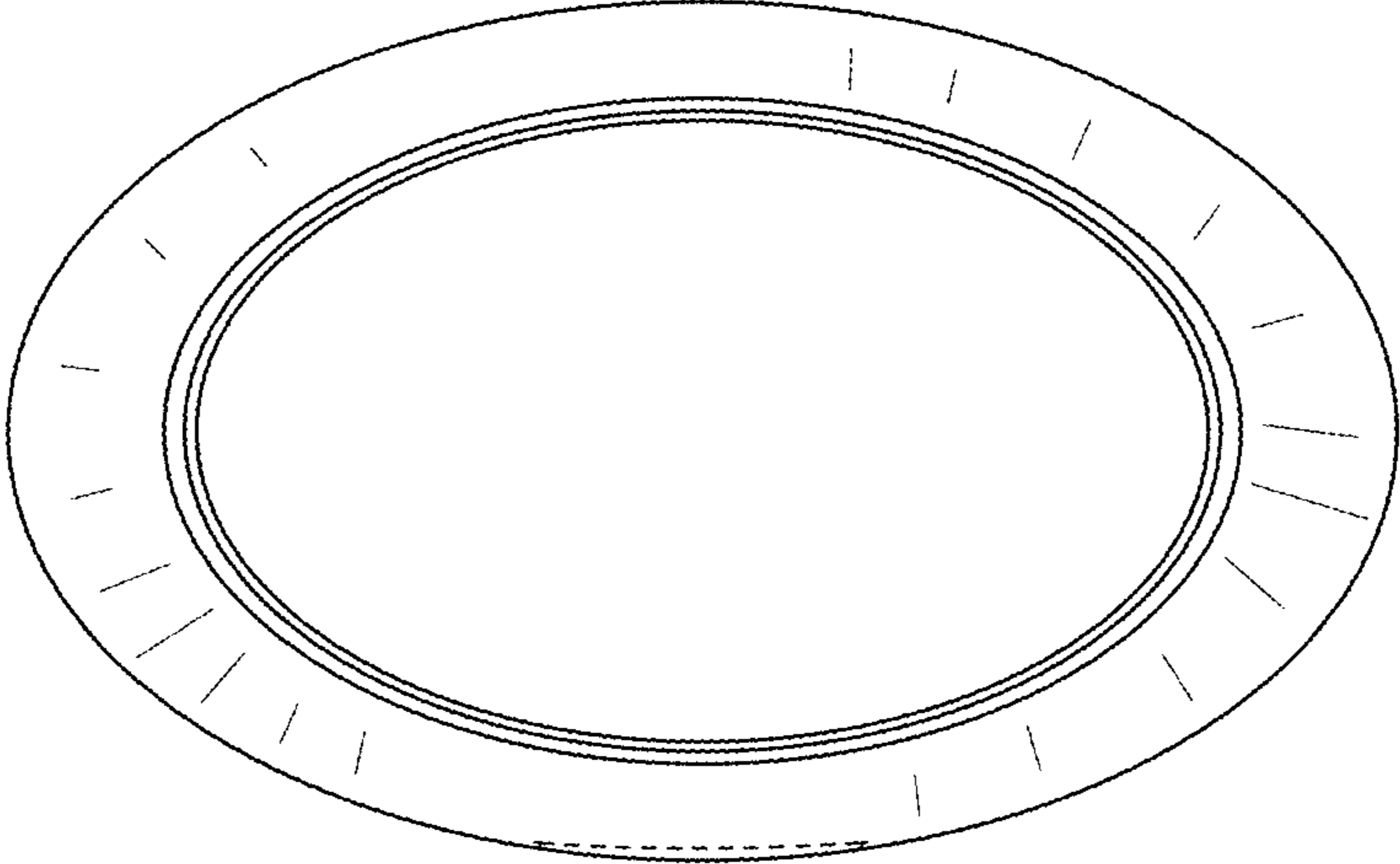


FIG. 7

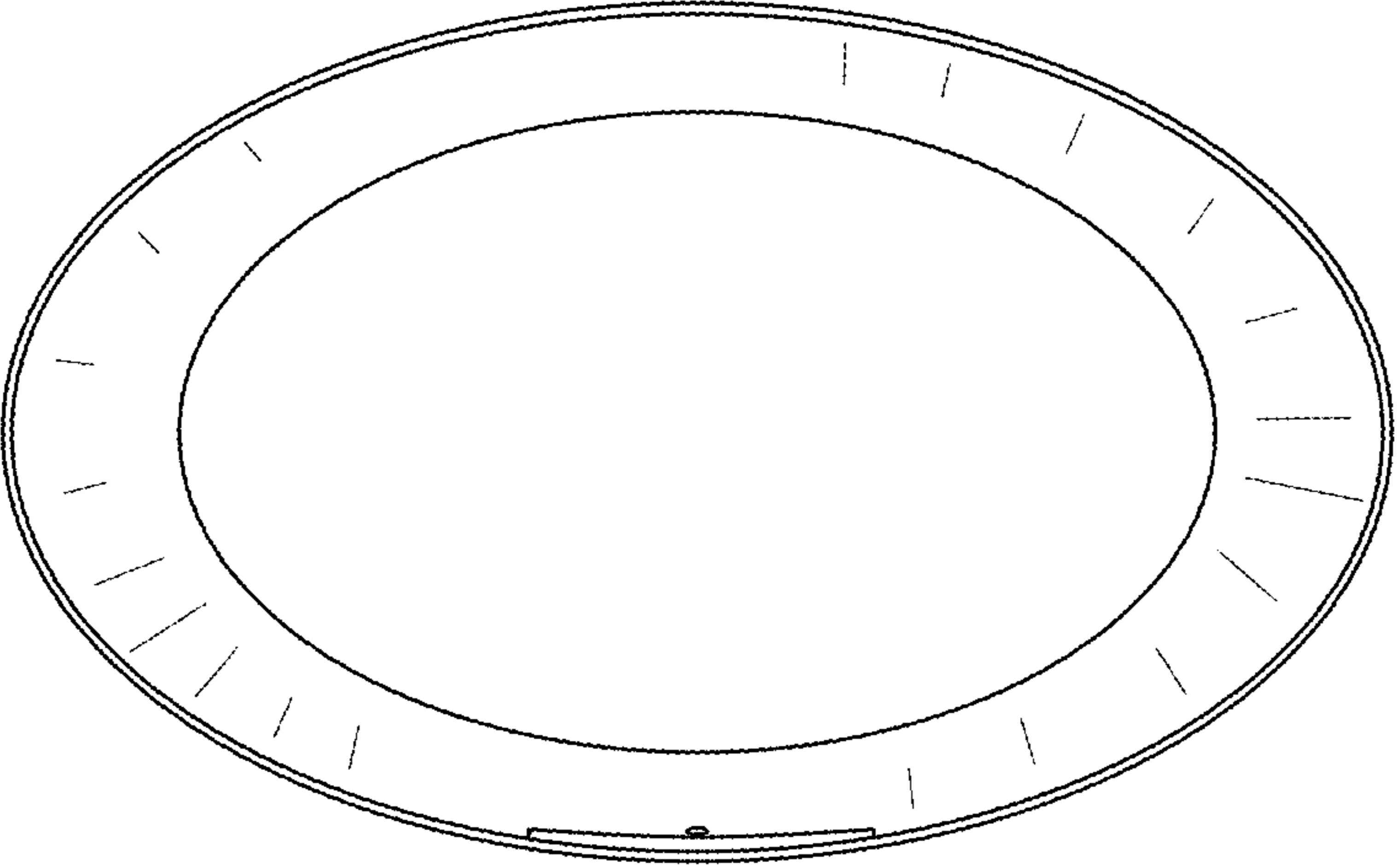


FIG. 8