



US00D945742S

(12) **United States Design Patent**
Leach

(10) **Patent No.:** **US D945,742 S**

(45) **Date of Patent:** **** Mar. 15, 2022**

(54) **SLEEPING BAG**

(71) Applicant: **Karen Ayers Leach**, Kihei, HI (US)

(72) Inventor: **Karen Ayers Leach**, Kihei, HI (US)

(**) Term: **15 Years**

(21) Appl. No.: **29/775,624**

(22) Filed: **Mar. 24, 2021**

(51) **LOC (13) Cl.** **02-01**

(52) **U.S. Cl.**
USPC **D2/719**

(58) **Field of Classification Search**
USPC D2/719; D6/595, 596, 598, 601-604;
D21/803-809

CPC A47G 9/08; A47G 9/086; A41B 13/06;
A41B 13/065

See application file for complete search history.

(56) **References Cited**

U.S. PATENT DOCUMENTS

| | | | | | |
|-----------|------|---------|------------|-------|-------------------------|
| 5,033,135 | A * | 7/1991 | Creek | | A47G 9/086 5/413 R |
| D365,485 | S | 12/1995 | Rossmann | | |
| D378,870 | S * | 4/1997 | Phillips | | D2/719 |
| 5,640,725 | A * | 6/1997 | Ando | | A47C 27/128 5/413 AM |
| D405,585 | S * | 2/1999 | Stevens | | D2/719 |
| D416,123 | S * | 11/1999 | Hwang | | D2/700 |
| D420,780 | S * | 2/2000 | Cox | | D2/700 |
| 6,292,961 | B1 * | 9/2001 | Ganio | | A47G 9/086 2/69.5 |
| D453,607 | S | 2/2002 | Tracy | | |
| D458,730 | S | 6/2002 | Jeong | | |
| D461,032 | S * | 8/2002 | Epperson | | D2/719 |
| D476,516 | S * | 7/2003 | Pigg | | D6/596 |
| D504,552 | S * | 5/2005 | Michaelis | | D2/719 |
| D513,657 | S * | 1/2006 | Jaskuloski | | D2/719 |
| D569,159 | S * | 5/2008 | Walker | | D6/595 |
| D586,537 | S * | 2/2009 | Walker | | D2/719 |

| | | | | | |
|----------|-----|---------|-----------------|-------|--------|
| D623,379 | S | 9/2010 | Dunson et al. | | |
| D643,182 | S | 8/2011 | Harris | | |
| D644,820 | S * | 9/2011 | Dunson | | D2/719 |
| D688,442 | S * | 8/2013 | Lesinski | | D2/719 |
| D709,302 | S | 7/2014 | Berkland | | |
| D715,028 | S * | 10/2014 | Harris | | D2/719 |
| D733,456 | S | 7/2015 | Buell et al. | | |
| D737,023 | S * | 8/2015 | Tolbert | | D2/719 |
| D739,119 | S | 9/2015 | Tyler | | |
| D742,618 | S * | 11/2015 | Sumnicht | | D2/719 |
| D770,809 | S | 11/2016 | Bryant | | |
| D774,801 | S | 12/2016 | Clark | | |
| D780,473 | S | 3/2017 | Brownley et al. | | |

(Continued)

Primary Examiner — Michelle E. Wilson

Assistant Examiner — Clese Moore, Jr.

(74) *Attorney, Agent, or Firm* — Barry Choobin; Patent 360

(57) **CLAIM**

An ornamental design for a sleeping bag, as shown and described.

DESCRIPTION

FIG. 1 is a perspective view of a sleeping bag, showing my new design;

FIG. 2 is a front view thereof;

FIG. 3 is a rear view thereof;

FIG. 4 is a top view thereof;

FIG. 5 is a bottom view thereof;

FIG. 6 is a right-side view thereof;

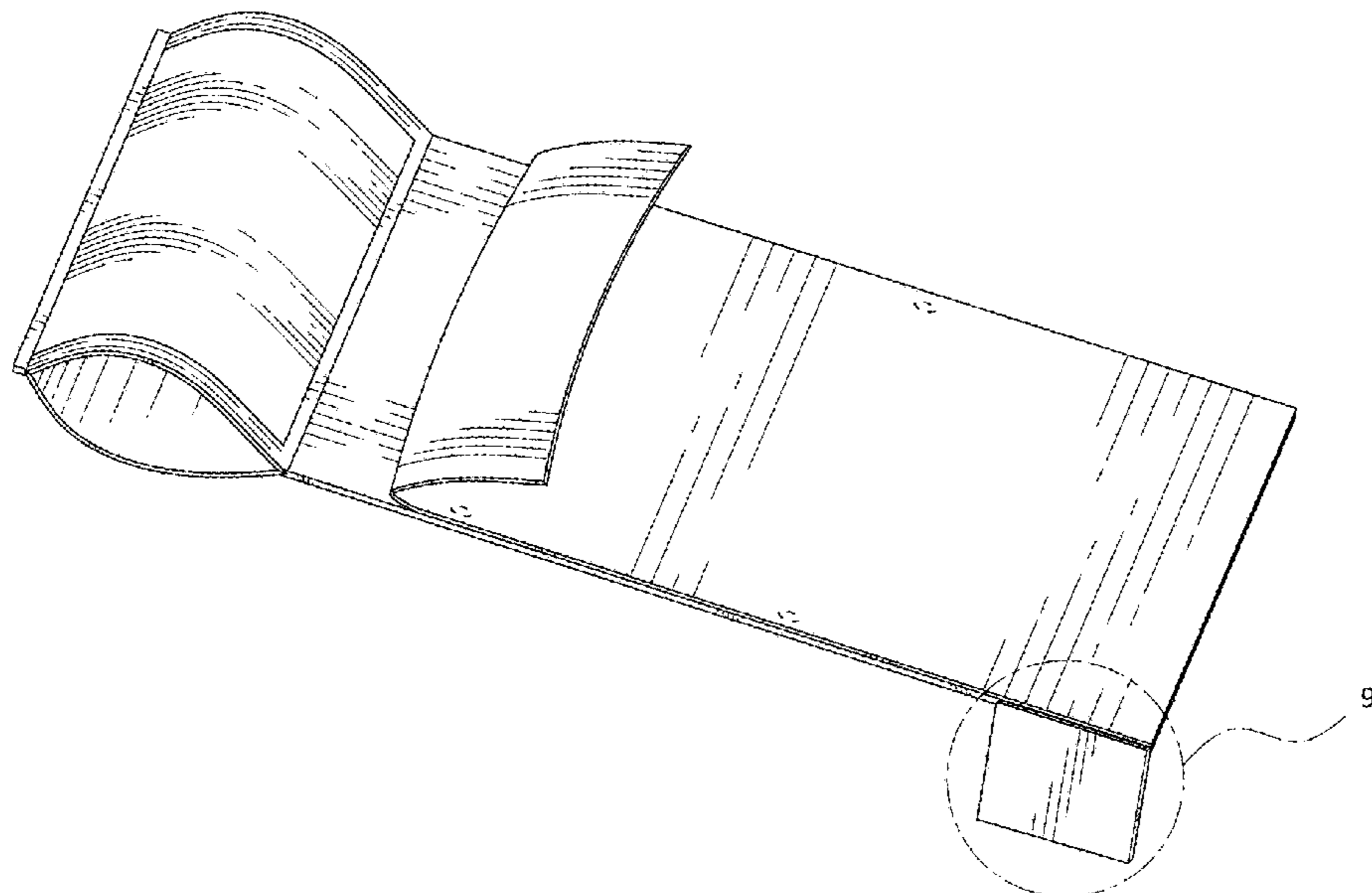
FIG. 7 is a left-side view thereof;

FIG. 8 is another image of FIG. 4, in which a person and a blanket are shown in broken lines for the purpose of illustrating environment, that forms no part of the claimed design; and,

FIG. 9 is an enlarged view of portion 9 of FIG. 1.

The broken lines in FIGS. 1 and 4 depict portions of the article that form no part of the claimed design.

1 Claim, 8 Drawing Sheets



(56)

References Cited

U.S. PATENT DOCUMENTS

| | | | | |
|--------------|------|---------|---------------------|------------------------|
| D789,033 | S * | 6/2017 | Sumnicht | D2/719 |
| D793,661 | S * | 8/2017 | Lee | D2/719 |
| 9,761,079 | B1 | 9/2017 | Lin | |
| D798,537 | S | 10/2017 | Dubois et al. | |
| D804,780 | S * | 12/2017 | Brensinger | A63B 69/0048 D2/719 |
| 10,045,667 | B2 | 8/2018 | Wegelin et al. | |
| 10,159,383 | B2 | 12/2018 | Pelfrey | |
| D845,663 | S | 4/2019 | Buell et al. | |
| D858,141 | S | 9/2019 | Simmons | |
| D895,930 | S | 9/2020 | Hill | |
| 10,845,385 | B2 | 11/2020 | Lee et al. | |
| 2009/0113628 | A1 * | 5/2009 | Hui | A47G 9/086 5/413 R |
| 2009/0236254 | A1 | 9/2009 | Jenkins et al. | |
| 2010/0078456 | A1 * | 4/2010 | Mottram | A47C 4/286 224/576 |
| 2012/0284915 | A1 * | 11/2012 | Najari Ehsani | A47G 9/086 5/120 |
| 2013/0306105 | A1 | 11/2013 | Battah | |
| 2015/0083754 | A1 | 3/2015 | Proper et al. | |
| 2019/0239664 | A1 * | 8/2019 | Hill | A47G 9/08 |
| 2019/0290032 | A1 * | 9/2019 | Hill | A47G 9/04 |

* cited by examiner

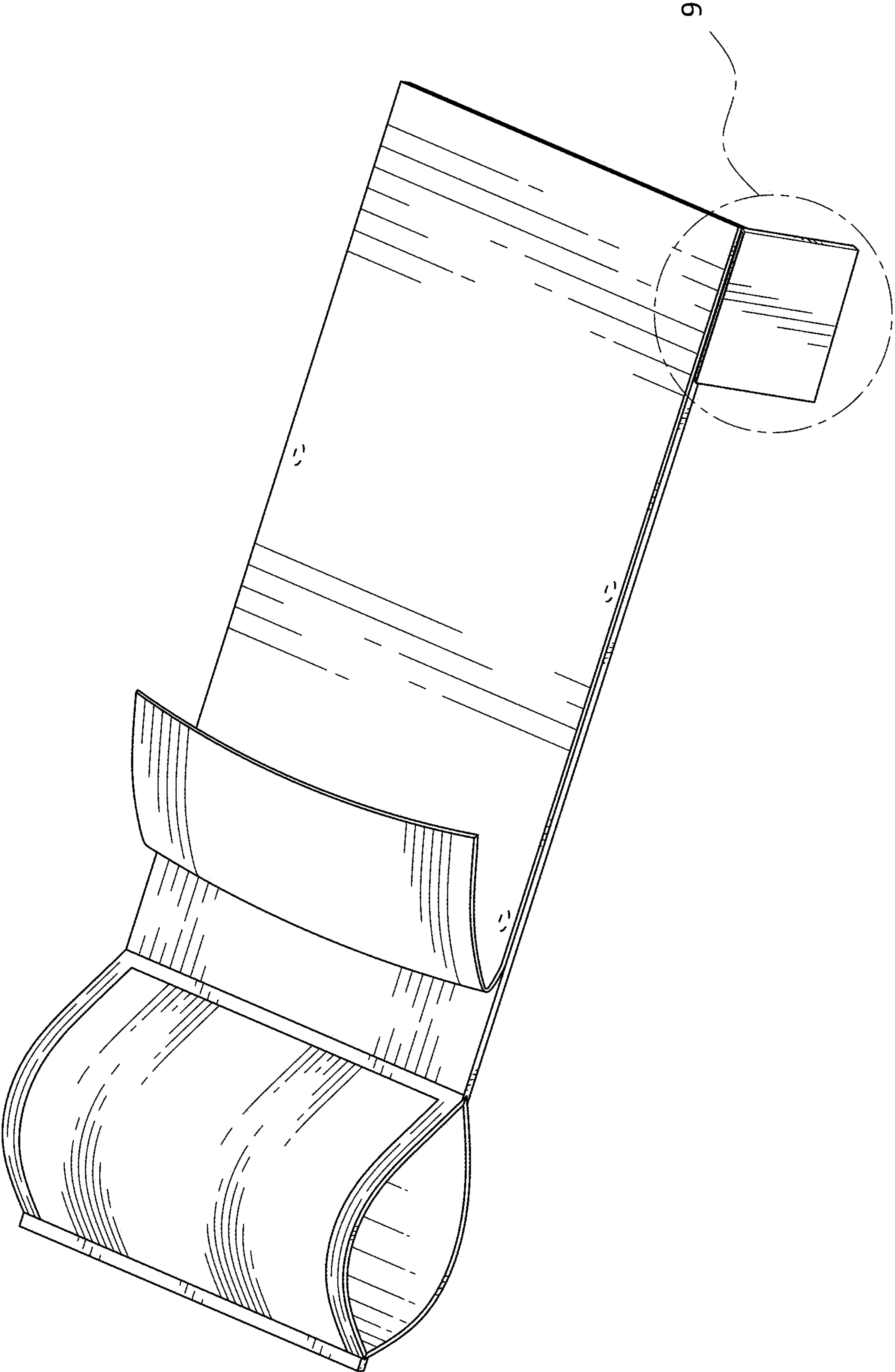


FIG. 1

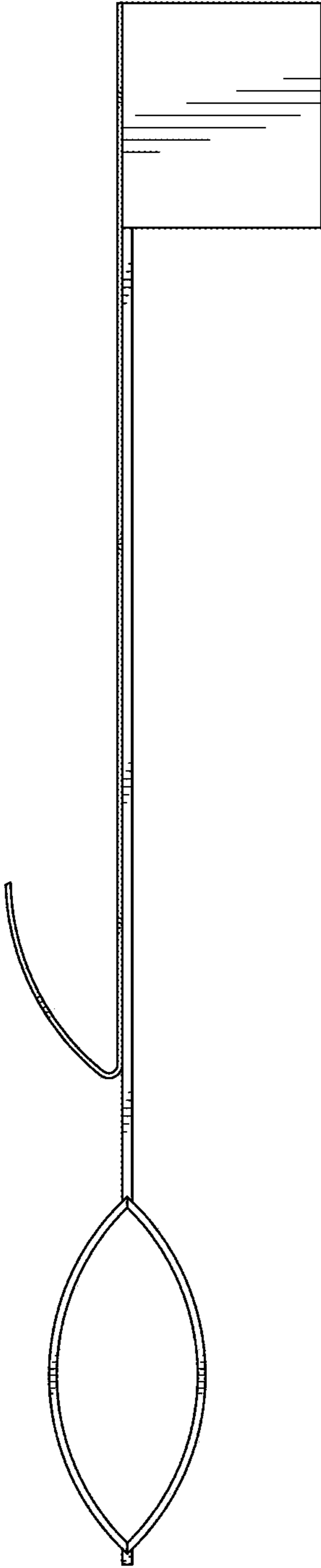


FIG. 2

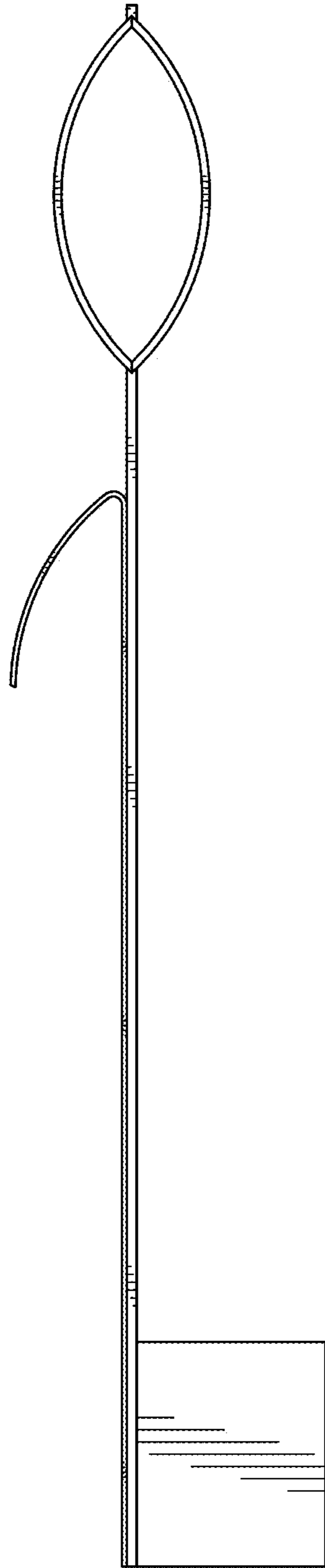


FIG. 3

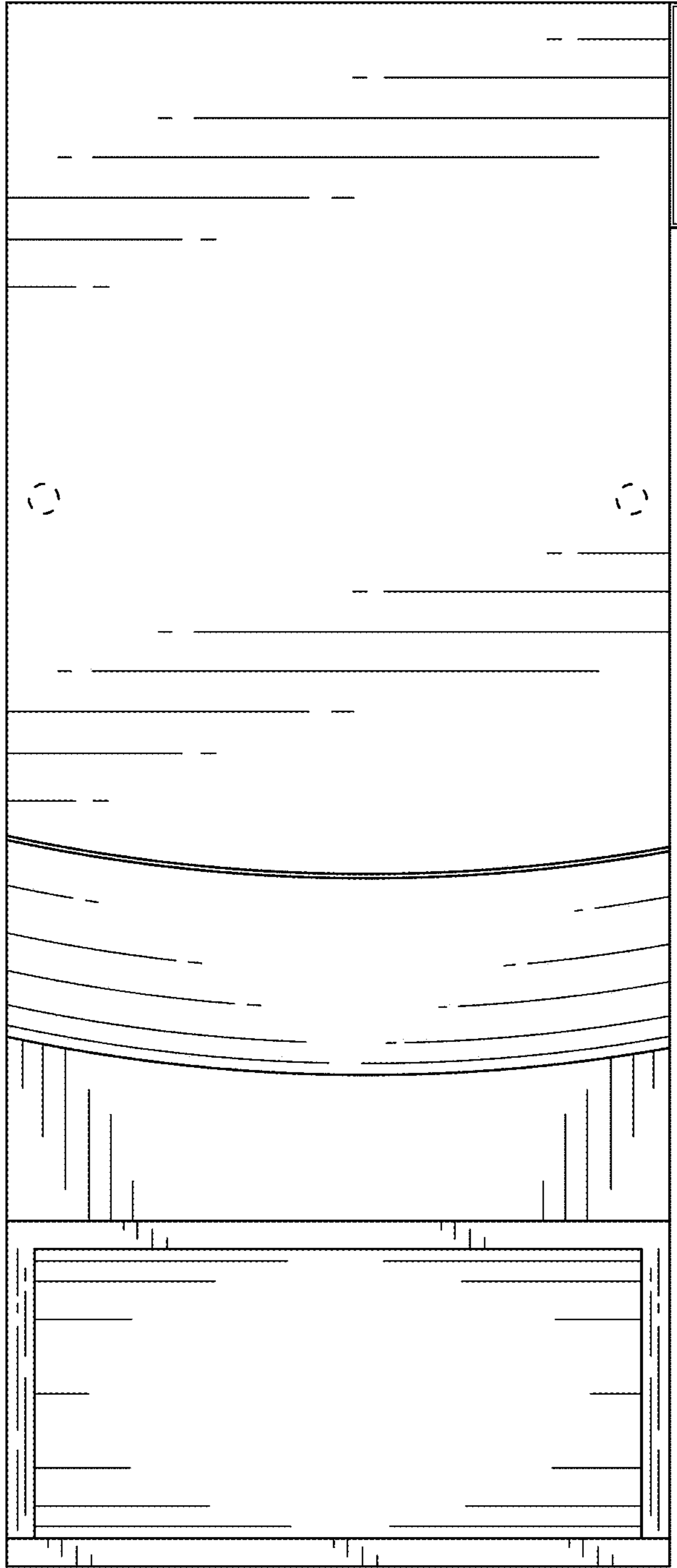


FIG. 4

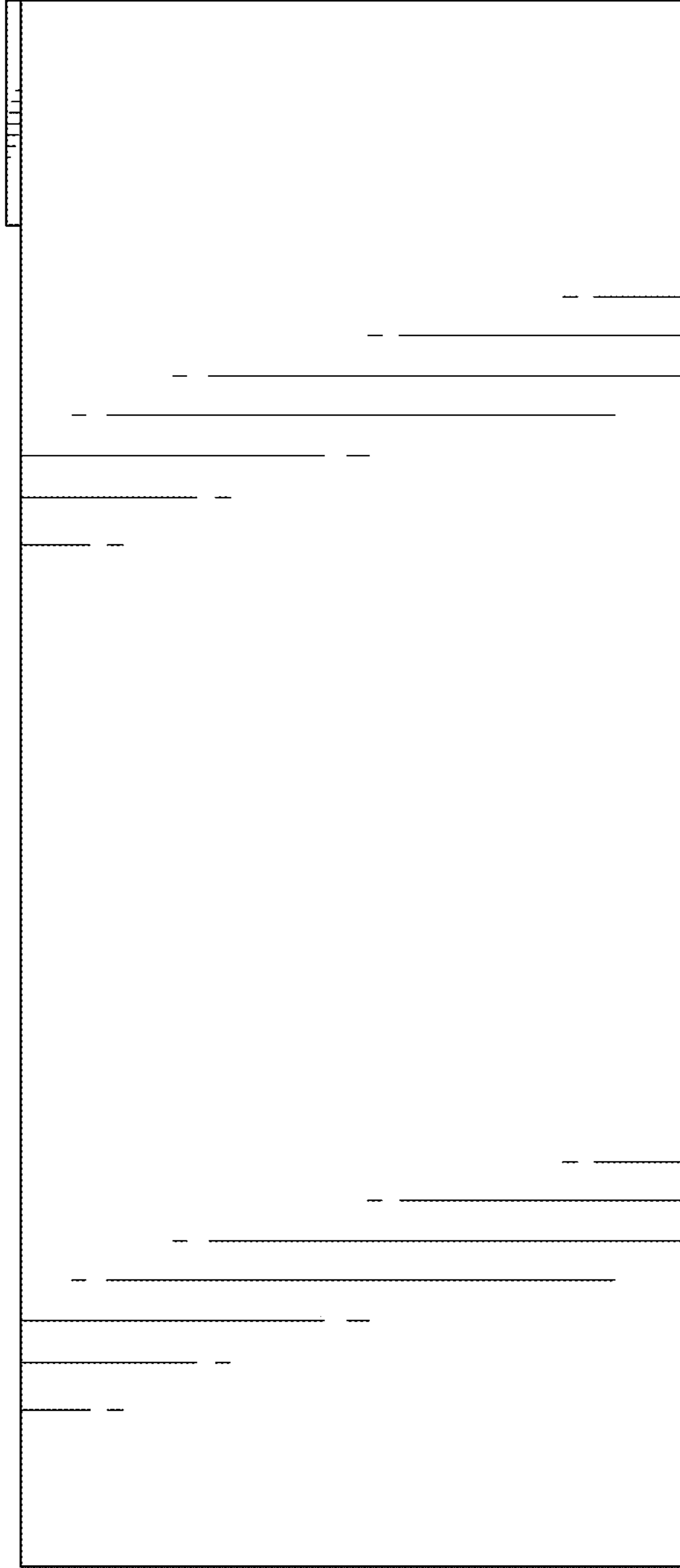


FIG. 5

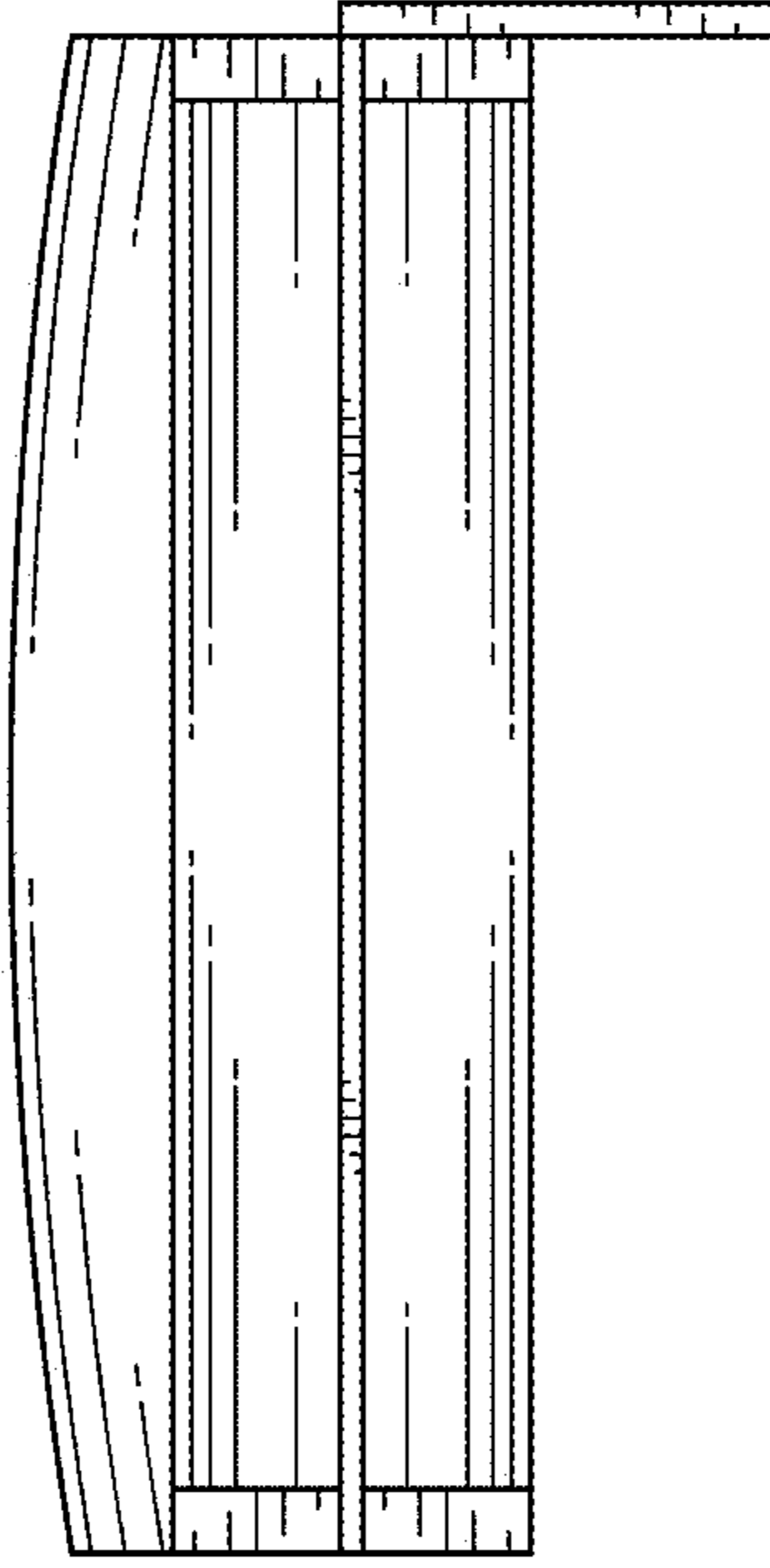


FIG. 7

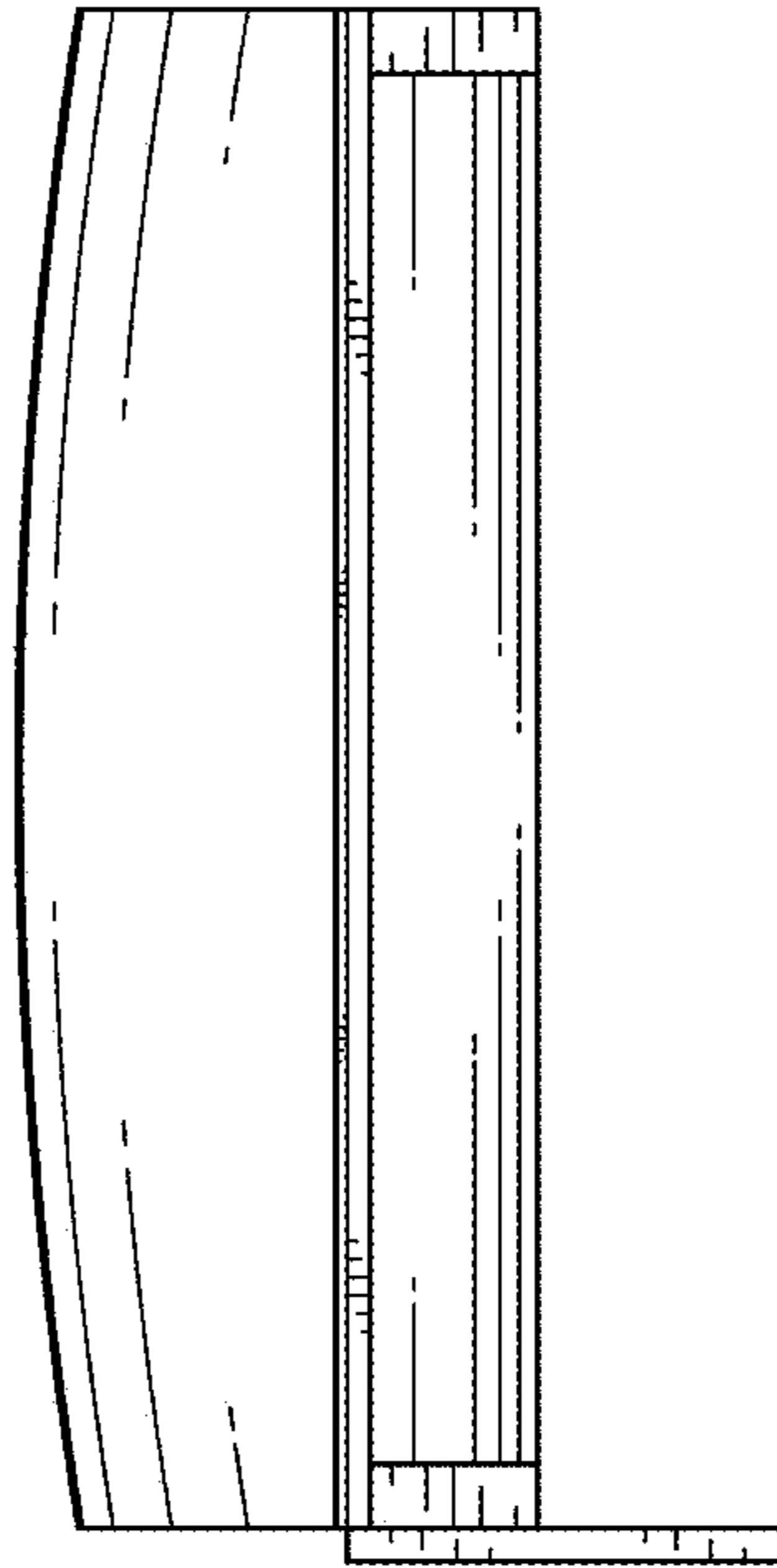


FIG. 6

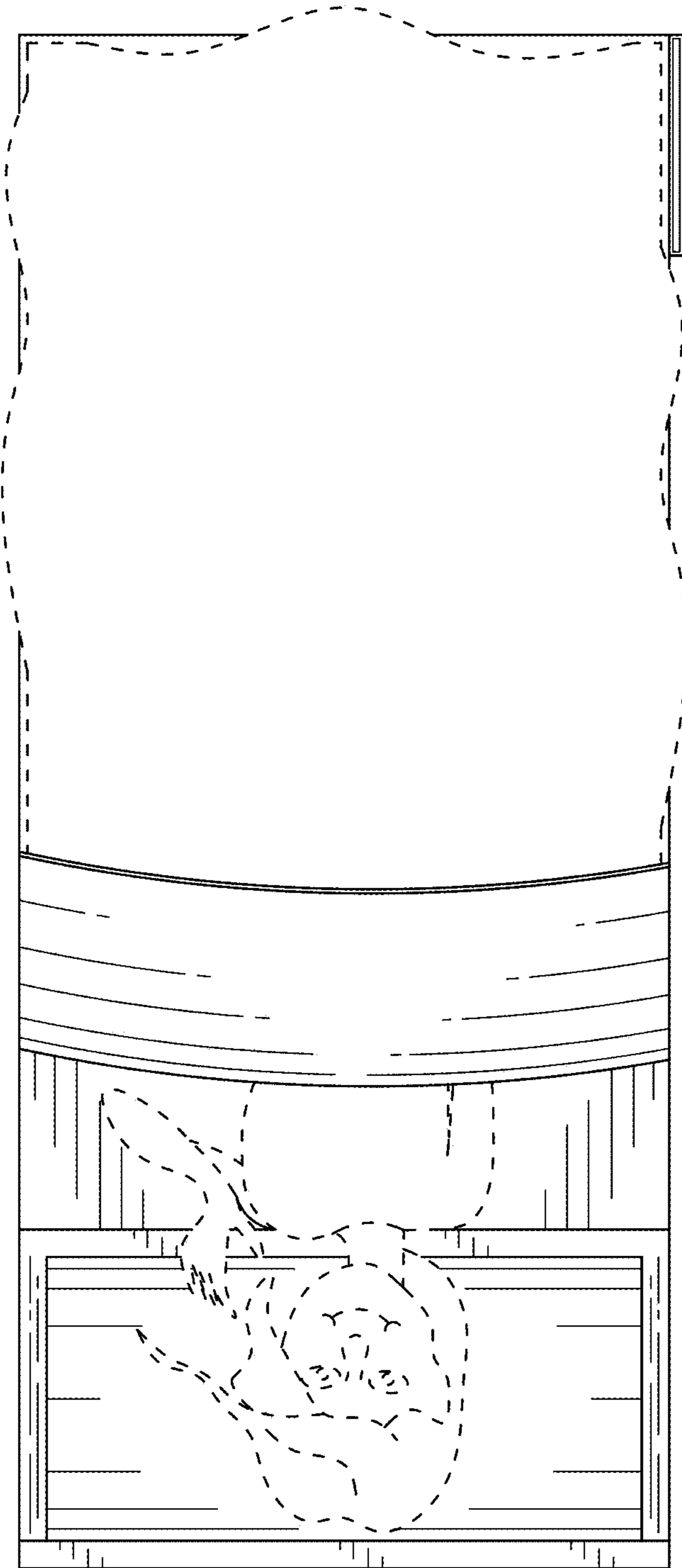


FIG. 8

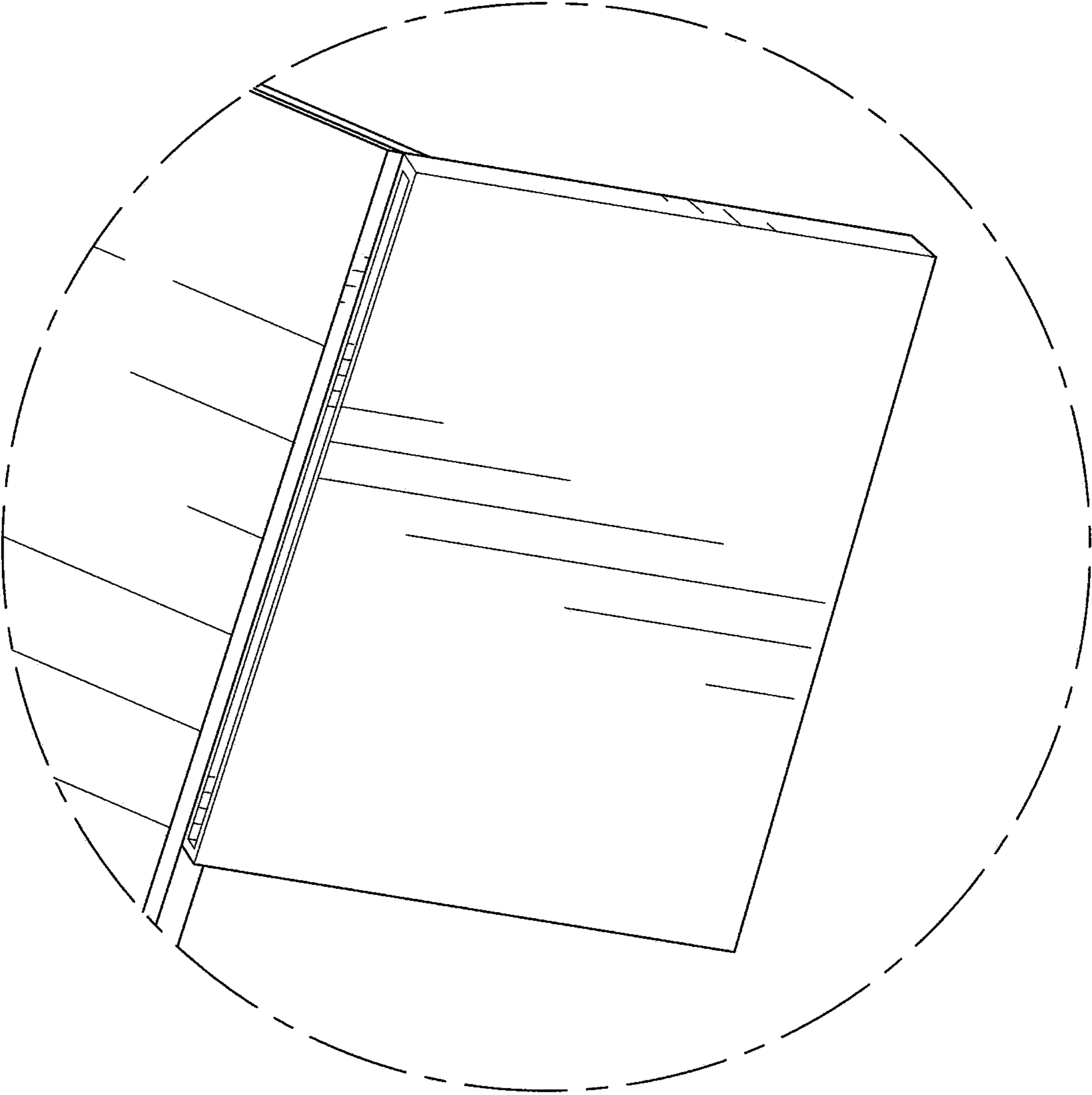


FIG. 9