



US00D945735S

(12) **United States Design Patent** (10) **Patent No.:** **US D945,735 S**
Lopez Uran et al. (45) **Date of Patent:** **** Mar. 8, 2022**

(54) **PART FOR A PALLET**
 (71) Applicant: **CHEP Technology Pty Limited,**
 Sydney (AU)
 (72) Inventors: **Daniel Lopez Uran,** Surrey (GB);
Malcolm Charles Cant, Berkshire
 (GB)

D537,229 S * 2/2007 Abe D34/38
 D665,145 S * 8/2012 Kessler D34/38
 D675,805 S * 2/2013 Randall D34/38
 D817,587 S * 5/2018 Saliaris D34/38
 D833,703 S * 11/2018 Frame D34/35
 2013/0119623 A1* 5/2013 Sadeh B65D 19/0026
 280/30

(73) Assignee: **CHEP Technology Pty Limited,**
 Sydney (AU)

(**) Term: **15 Years**

(21) Appl. No.: **29/713,468**

(22) Filed: **Nov. 15, 2019**

(30) **Foreign Application Priority Data**

May 15, 2019 (EM) 006464624-0001

(51) **LOC (13) Cl.** **09-08**

(52) **U.S. Cl.**
 USPC **D34/38**

(58) **Field of Classification Search**
 USPC D34/38; D8/349, 356
 CPC B65D 2519/00293; B65D 19/0097; B65D
 19/12; B65D 19/0012; B65D 2519/00273
 See application file for complete search history.

(56) **References Cited**

U.S. PATENT DOCUMENTS

1,749,270 A 3/1930 Young
 1,836,885 A 12/1931 Stuebing, Jr.
 2,553,273 A 5/1951 Phillips
 2,775,313 A 12/1956 Kurvers et al.
 D238,862 S * 2/1976 Hewson D34/38
 4,212,093 A 7/1980 Lombard
 D463,894 S * 10/2002 Ghafourian D34/38
 6,979,005 B1 12/2005 McLerran

FOREIGN PATENT DOCUMENTS

DE 20103552 5/2001
 DE 20219619 4/2003
 DE 20309286 10/2003
 DE 202005003786 9/2005
 DE 102005012675 9/2006
 DE 202010016859 3/2011
 DE 202012103711 11/2012
 DE 202012008319 1/2013
 DE 202013007560 10/2013
 DE 102012017221 3/2014
 DE 102014002832 8/2015
 DE M9506570-0001 9/2015

(Continued)

Primary Examiner — Cynthia Ramirez

(74) *Attorney, Agent, or Firm* — Allen, Dyer, Doppelt +
 Gilchrist, PA

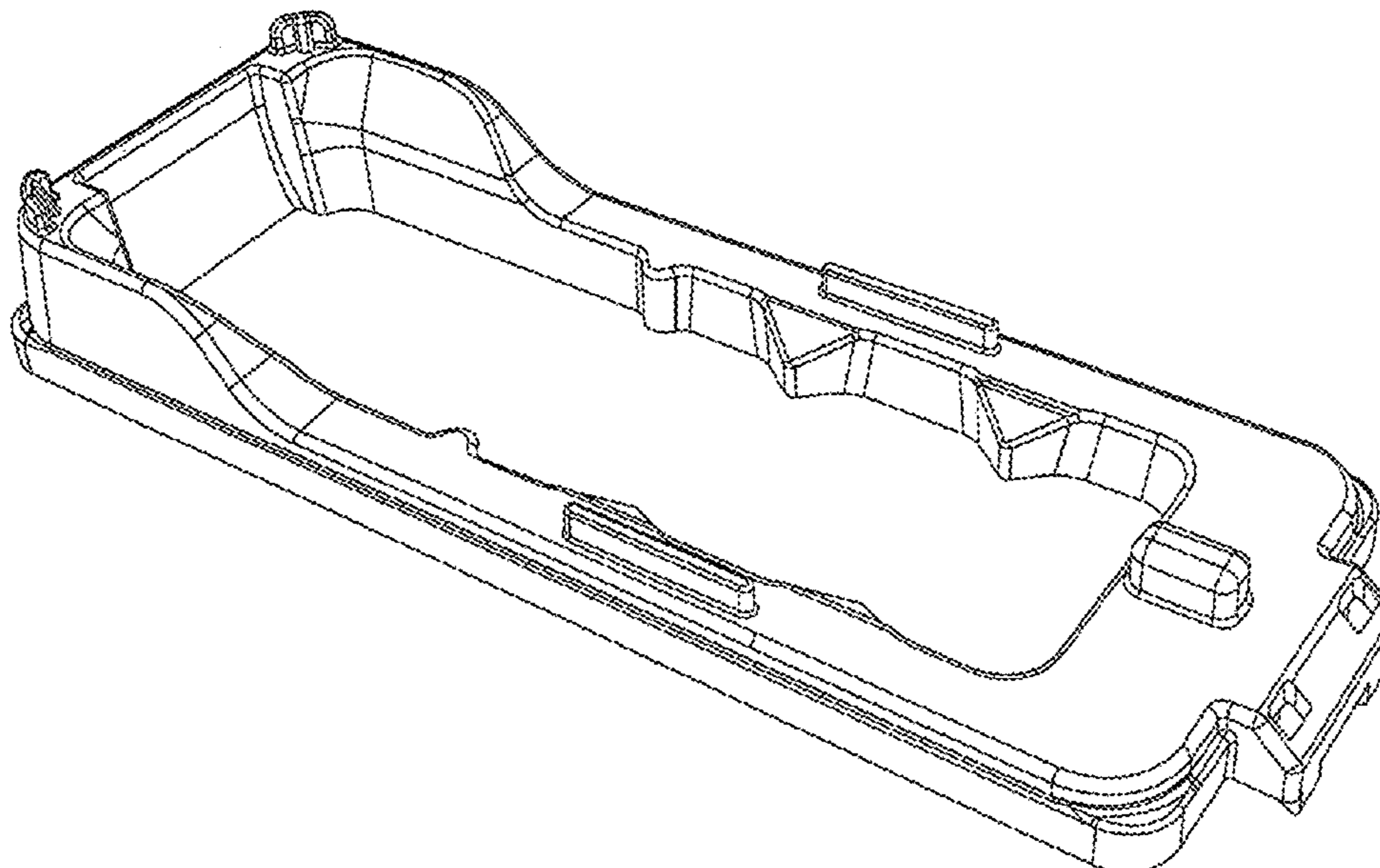
(57) **CLAIM**

The ornamental design for a part for a pallet, as shown and
 described.

DESCRIPTION

FIG. 1 is a perspective view of a pallet showing our new
 design;
 FIG. 2 is a left-side view thereof;
 FIG. 3 is an enlarged end view thereof;
 FIG. 4 is a right-side view thereof;
 FIG. 5 is an enlarged view of the other end thereof;
 FIG. 6 is a bottom view thereof; and,
 FIG. 7 is a top view thereof.

1 Claim, 7 Drawing Sheets



(56)

References Cited

FOREIGN PATENT DOCUMENTS

DE	202014007703	1/2016
DE	102015107353	3/2016
DE	202017004490	1/2018
DE	202018000701	2/2018
DE	402017203993-0002	2/2018
DE	402017203993-0003	2/2018
DE	402017203993-0004	2/2018
DE	402017203993-0001	3/2018
DE	202018006182	6/2019
DE	102018125886	4/2020
DM	GB1045244	4/1987
DM	GB2052205	8/1995
DM	GB2061785	6/1996
DM	058297-1	1/2002
EM	001172969-0012	11/2006
EM	000370234-0001	10/2007
EM	000370234-0002	10/2007
EM	000370234-0008	10/2007
EM	000370234-0009	10/2007
EM	001172969-0016	5/2009
EM	001172969-0017	5/2009
EM	001172969-0018	5/2009
EM	001172969-0019	5/2009
EM	001172969-0020	5/2009
EM	001172969-0021	5/2009
EM	001172969-0011	11/2009
EM	002365957-0001	12/2013
EM	002365957-0002	12/2013
EM	002365957-0003	12/2013
EP	0861194	7/2000
EP	0912408	5/2001
EP	1744971	4/2004
EP	1304293	9/2004
EP	1689650	8/2006

EP	1927552	6/2008
EP	2952440	6/2008
EP	2860126	10/2013
EP	2860127	10/2013
EP	2952439	6/2014
EP	2709921	12/2015
EP	3124391	3/2016
EP	3254983	6/2016
EP	2671815	10/2016
EP	3098136	11/2016
EP	2547595	8/2017
EP	2965998	8/2017
EP	3093250	11/2017
EP	3254984	12/2017
EP	3330196	8/2018
EP	3372519	9/2018
EP	3480128	5/2019
EP	3533722	9/2019
EP	3536624	9/2019
EP	2623392	12/2019
EP	2733043	12/2019
GB	904198	8/1962
GB	2425999	11/2006
GB	2465398	5/2010
KR	19990036930	10/1999
NL	1037178	5/2009
WO	WO DM/035715-1	5/1996
WO	WO9625334	8/1996
WO	WO0200515	1/2002
WO	WO2004037662	5/2004
WO	WO2009016339	2/2009
WO	WO2011046260	4/2011
WO	WO2011115674	9/2011
WO	WO2014022498	2/2014
WO	WO2016005136	1/2016
WO	WO2016193538	12/2016
WO	WO2019097389	5/2019

* cited by examiner

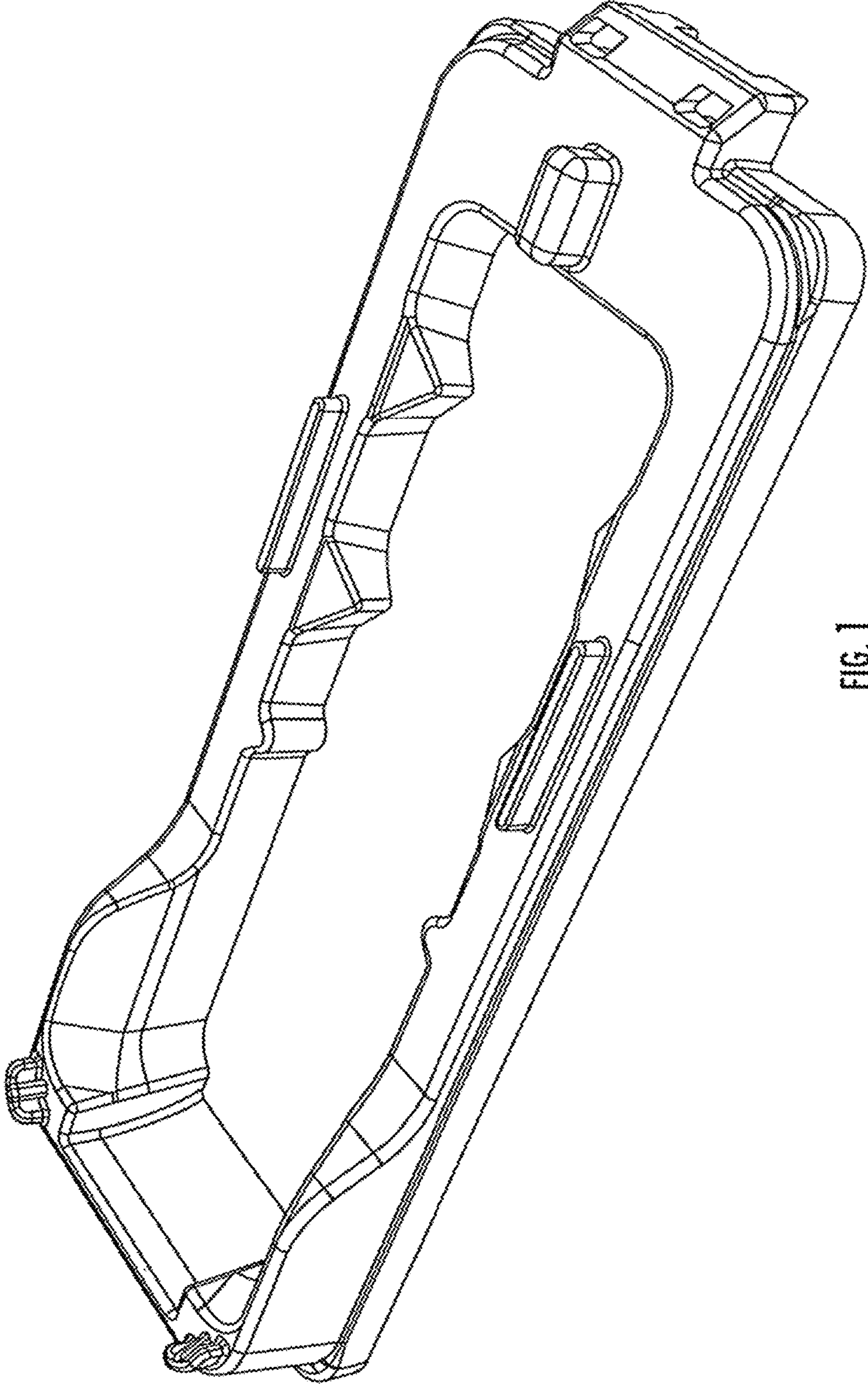


FIG. 1

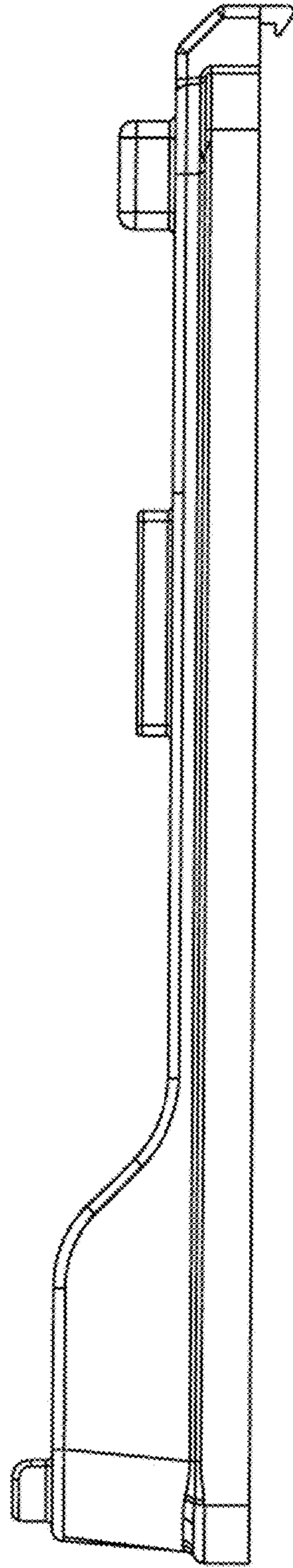


FIG. 2

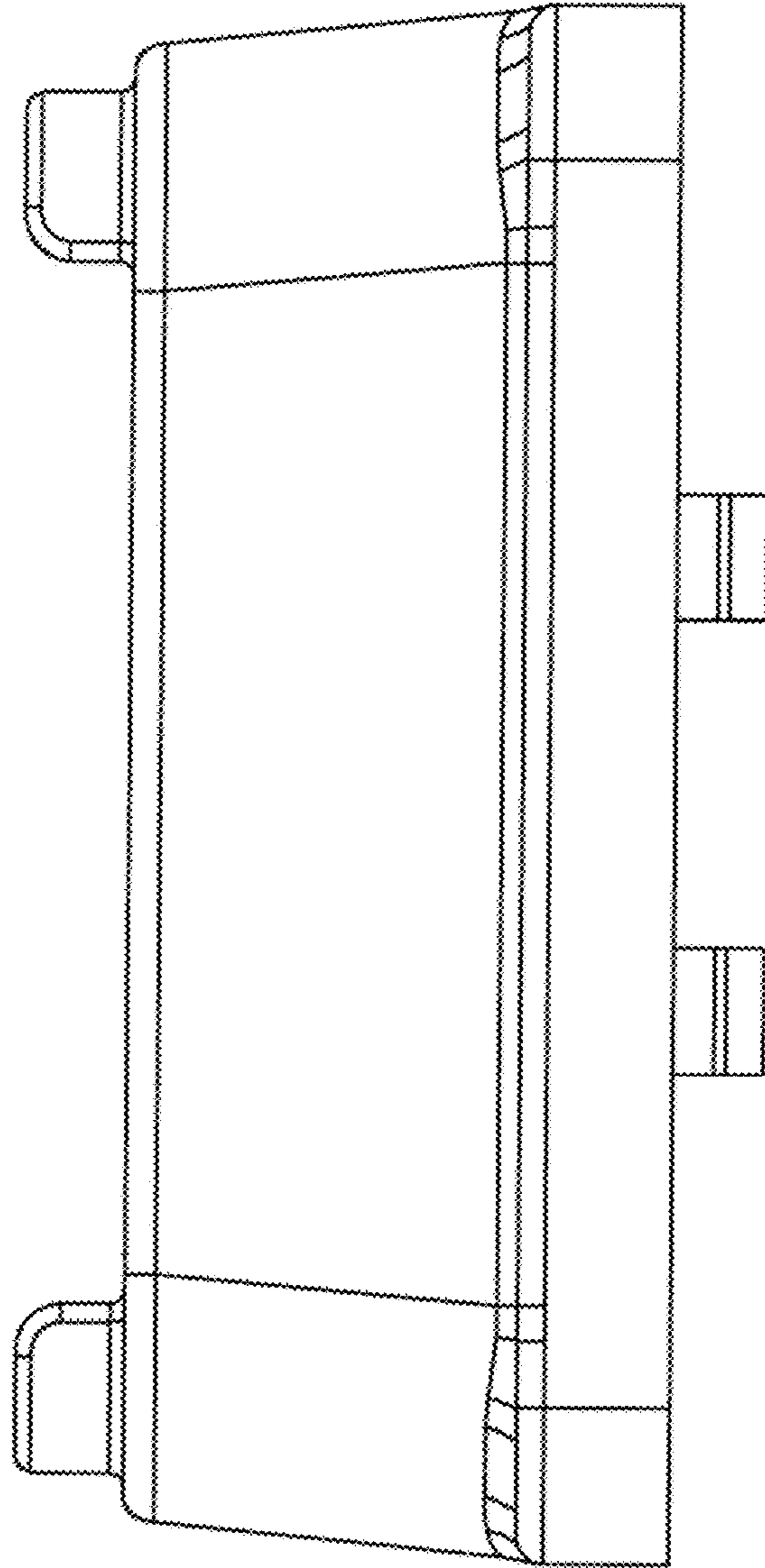


FIG. 3

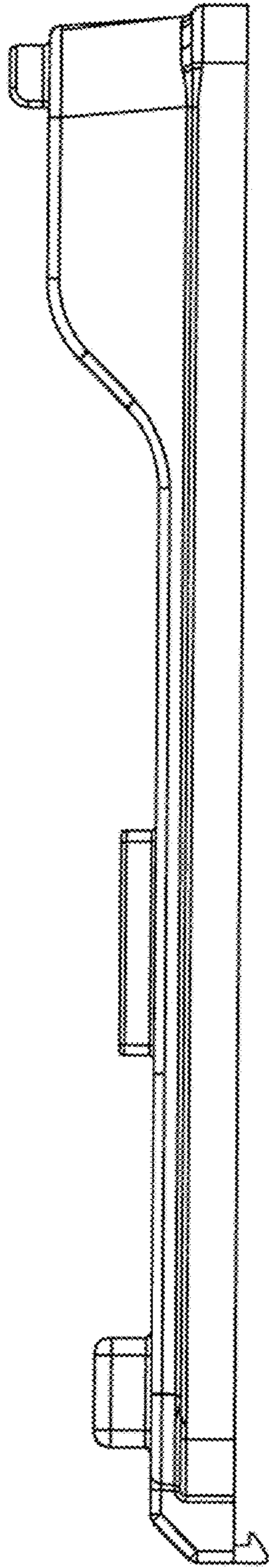


FIG. 4

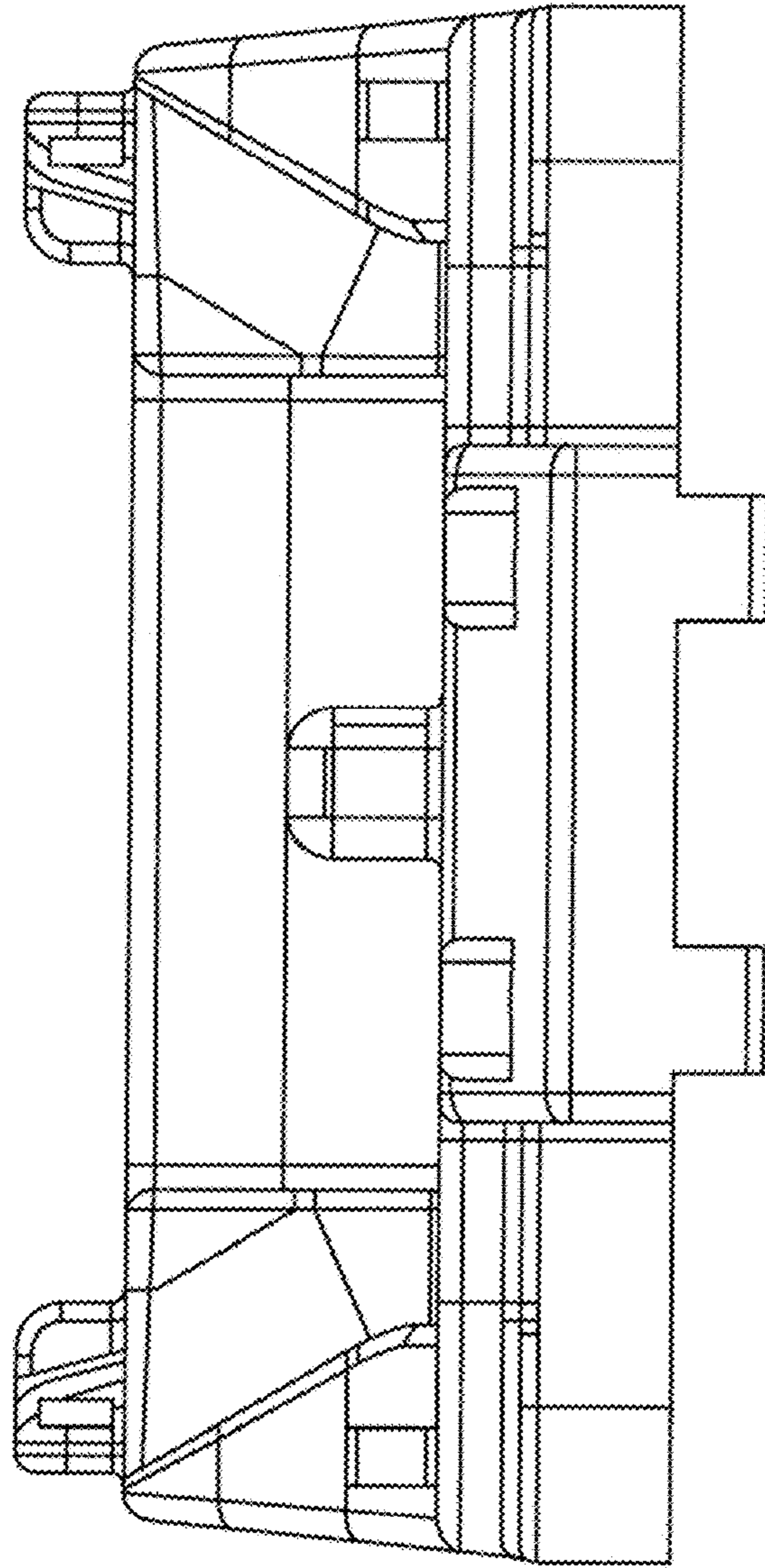


FIG. 5

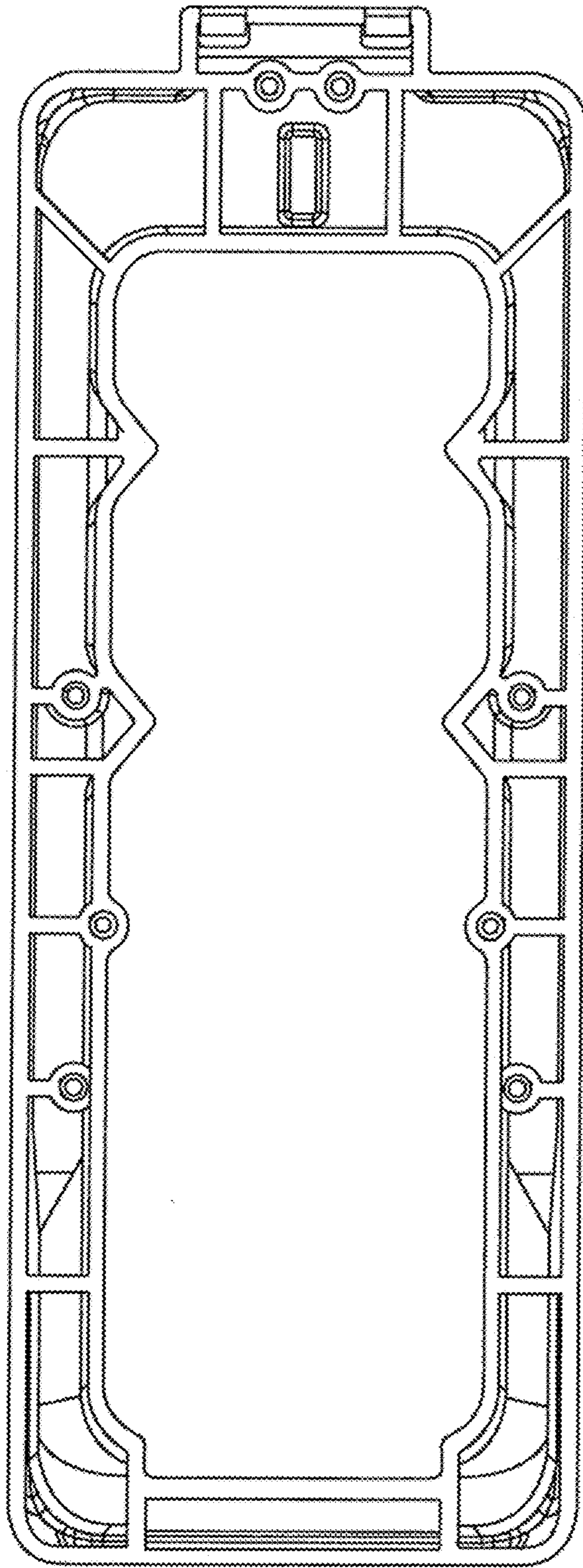


FIG. 6

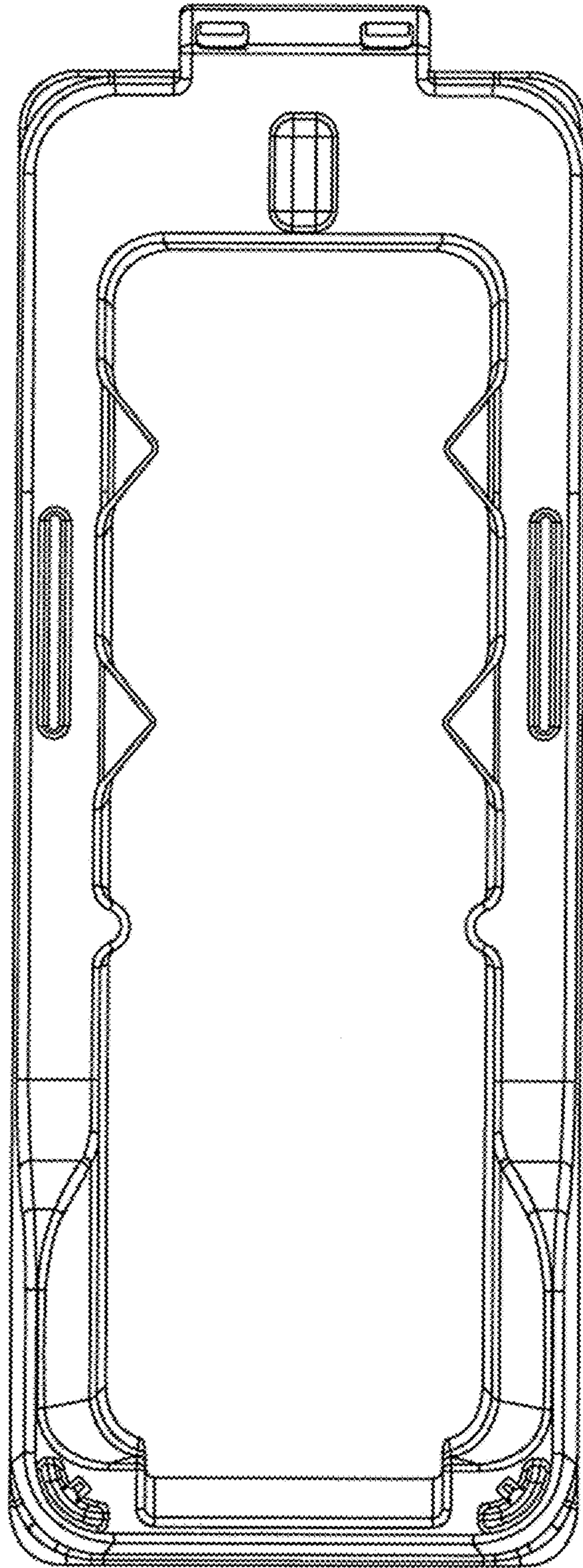


FIG. 7