



US00D945734S

(12) **United States Design Patent**  
**Muta**

(10) **Patent No.:** **US D945,734 S**  
(45) **Date of Patent:** **\*\* Mar. 8, 2022**

(54) **CAB FOR CONSTRUCTION  
SELF-PROPELLED CRANE**

(71) Applicant: **KOBELCO CONSTRUCTION  
MACHINERY CO., LTD.**, Hiroshima  
(JP)

(72) Inventor: **Satoshi Muta**, Akashi (JP)

(73) Assignee: **KOBELCO CONSTRUCTION  
MACHINERY CO., LTD.**, Hiroshima  
(JP)

(\*\*) Term: **15 Years**

(21) Appl. No.: **29/718,584**

(22) Filed: **Dec. 26, 2019**

(30) **Foreign Application Priority Data**

Jul. 5, 2019 (JP) ..... 2019-015141

(51) **LOC (13) Cl.** ..... **12-05**

(52) **U.S. Cl.**  
USPC ..... **D34/33**

(58) **Field of Classification Search**  
USPC ..... D34/28-39; D15/30, 28, 33, 23  
CPC ..... B66C 13/54; E02F 9/16; E02F 9/163  
See application file for complete search history.

(56) **References Cited**

**U.S. PATENT DOCUMENTS**

- 6,209,949 B1 \* 4/2001 Sakyō ..... B62D 33/06  
296/190.08
- D445,233 S \* 7/2001 Deroure ..... D15/30
- D471,213 S \* 3/2003 Kwak ..... D15/30
- D637,630 S \* 5/2011 Yamamoto ..... D15/30
- D642,205 S \* 7/2011 Yamamoto ..... D15/30
- D684,607 S \* 6/2013 Hagura ..... D15/30
- D739,113 S \* 9/2015 Zimmermann ..... D34/37
- D780,235 S \* 2/2017 Kim ..... D15/30
- D812,647 S \* 3/2018 Okuyama ..... D15/30

- D835,160 S \* 12/2018 Jilbert ..... D15/25
- D854,587 S \* 7/2019 Ninomiya ..... D15/30
- D866,616 S \* 11/2019 Jilbert ..... D15/30
- D877,782 S \* 3/2020 Jilbert ..... D15/30
- D886,162 S \* 6/2020 Price ..... D15/30

(Continued)

**FOREIGN PATENT DOCUMENTS**

- GB 3000900 \* 5/2002
- JP D1389770 S 2/2011

**OTHER PUBLICATIONS**

Alibaba Cab, announced 202 [online], [site visited Aug. 10, 2021]. Available from internet, URL: [https://www.alibaba.com/product-detail/Custom-Designed-Mini-Excavator-Cab-Assembly\\_1600105620961.html?mark=google\\_shopping&seo=1](https://www.alibaba.com/product-detail/Custom-Designed-Mini-Excavator-Cab-Assembly_1600105620961.html?mark=google_shopping&seo=1) (Year: 2021).\*

*Primary Examiner* — George A Bugg

*Assistant Examiner* — Tamara L Hahn

(74) *Attorney, Agent, or Firm* — Birch, Stewart, Kolasch & Birch, LLP

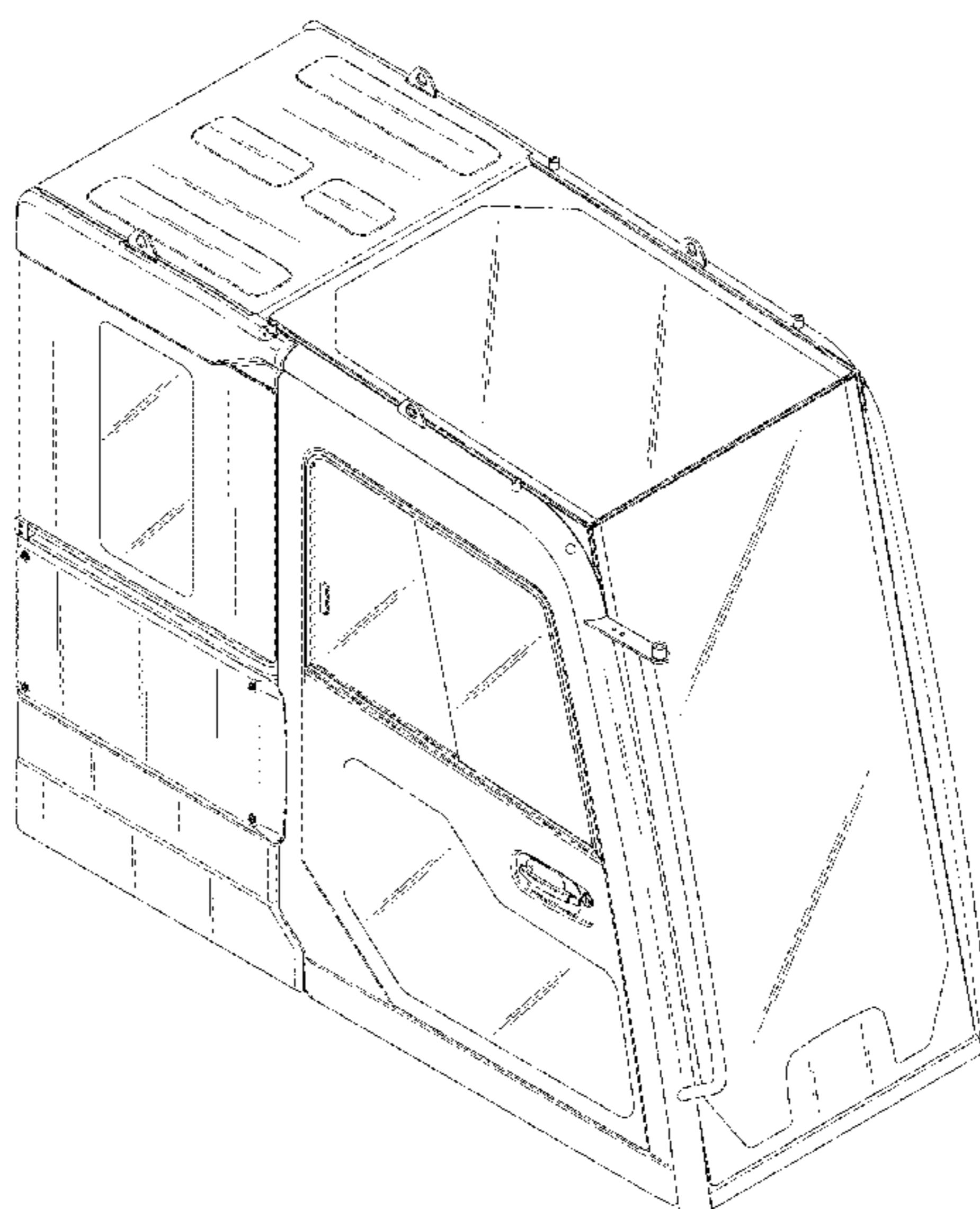
(57) **CLAIM**

The ornamental design for a cab for construction self-propelled crane, as shown and described.

**DESCRIPTION**

FIG. 1 is a first perspective view of a cab for construction self-propelled crane;  
FIG. 2 is a second perspective view thereof;  
FIG. 3 is a front view thereof;  
FIG. 4 is a rear view thereof;  
FIG. 5 is a left side view thereof;  
FIG. 6 is a right side view thereof;  
FIG. 7 is a top view thereof; and,  
FIG. 8 is a bottom view thereof.  
The broken lines show portions of the cab for construction self-propelled crane that form no part of the claimed design.

**1 Claim, 8 Drawing Sheets**



(56)

**References Cited**

U.S. PATENT DOCUMENTS

D896,852 S *	9/2020	Major .....	D15/30
D919,674 S *	5/2021	Steiner .....	D15/30
2013/0125483 A1 *	5/2013	Yoon .....	B60J 1/1838
			52/208
2018/0038076 A1 *	2/2018	Ok .....	B60J 1/006

\* cited by examiner

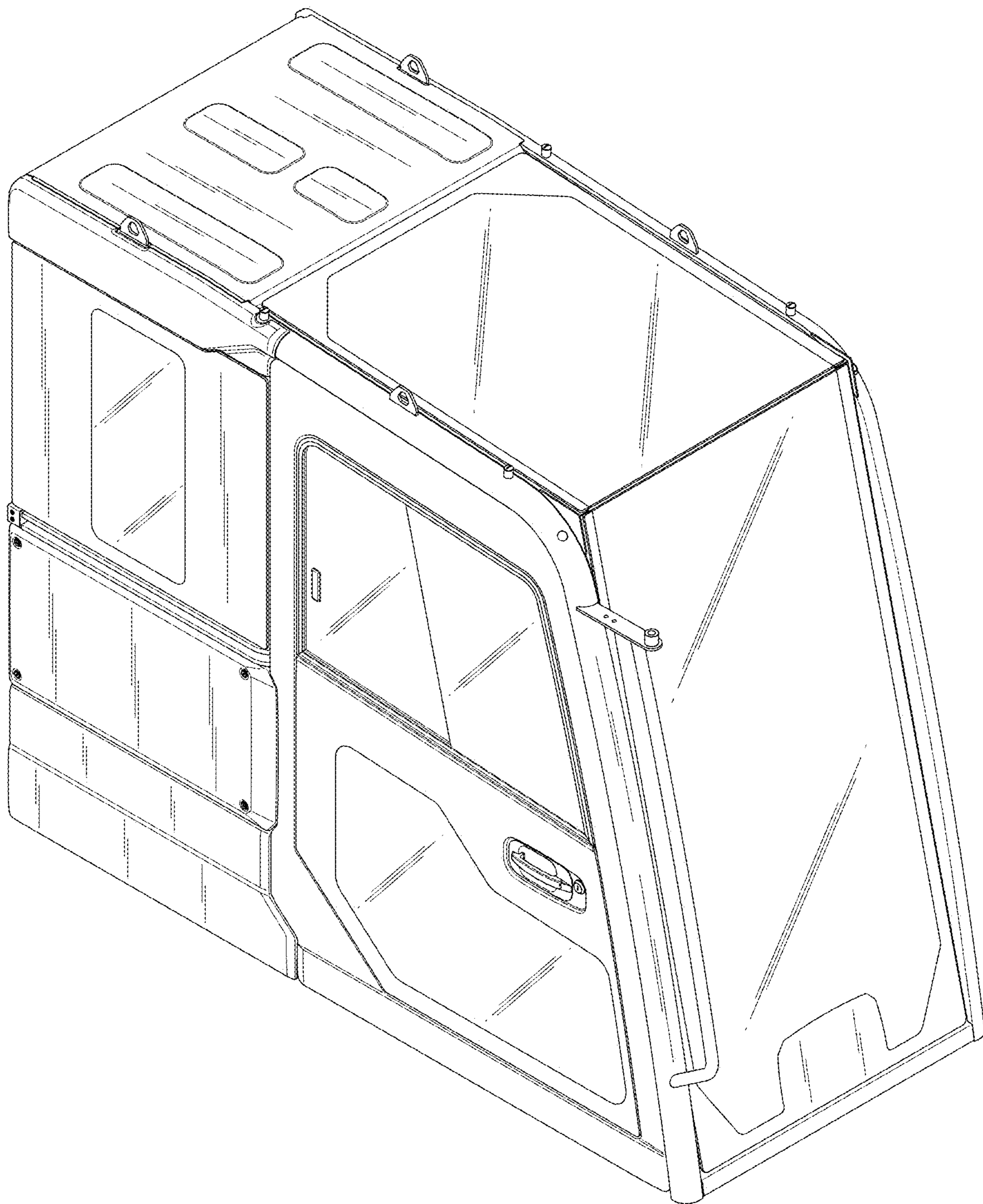


FIG. 1



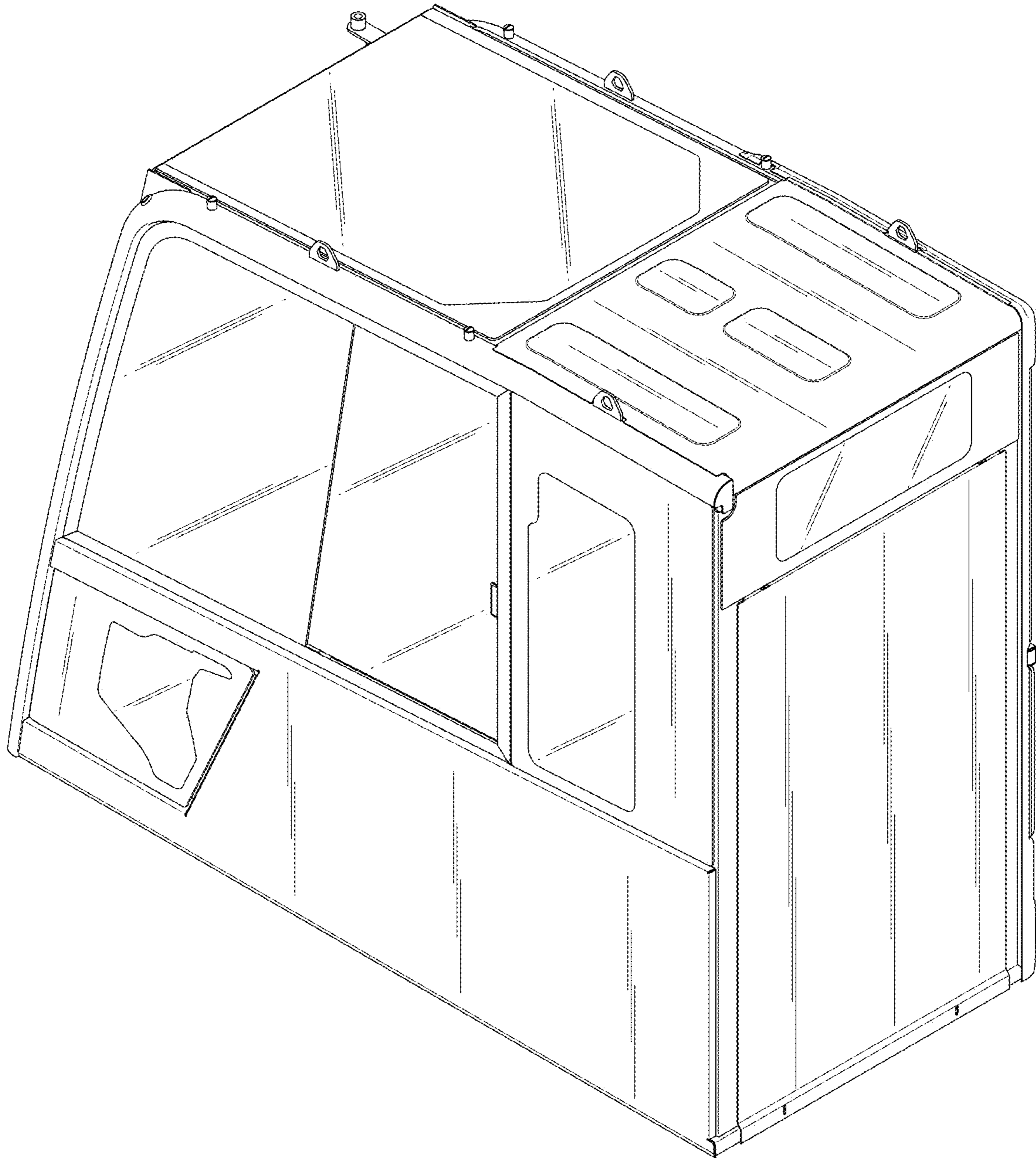


FIG.2

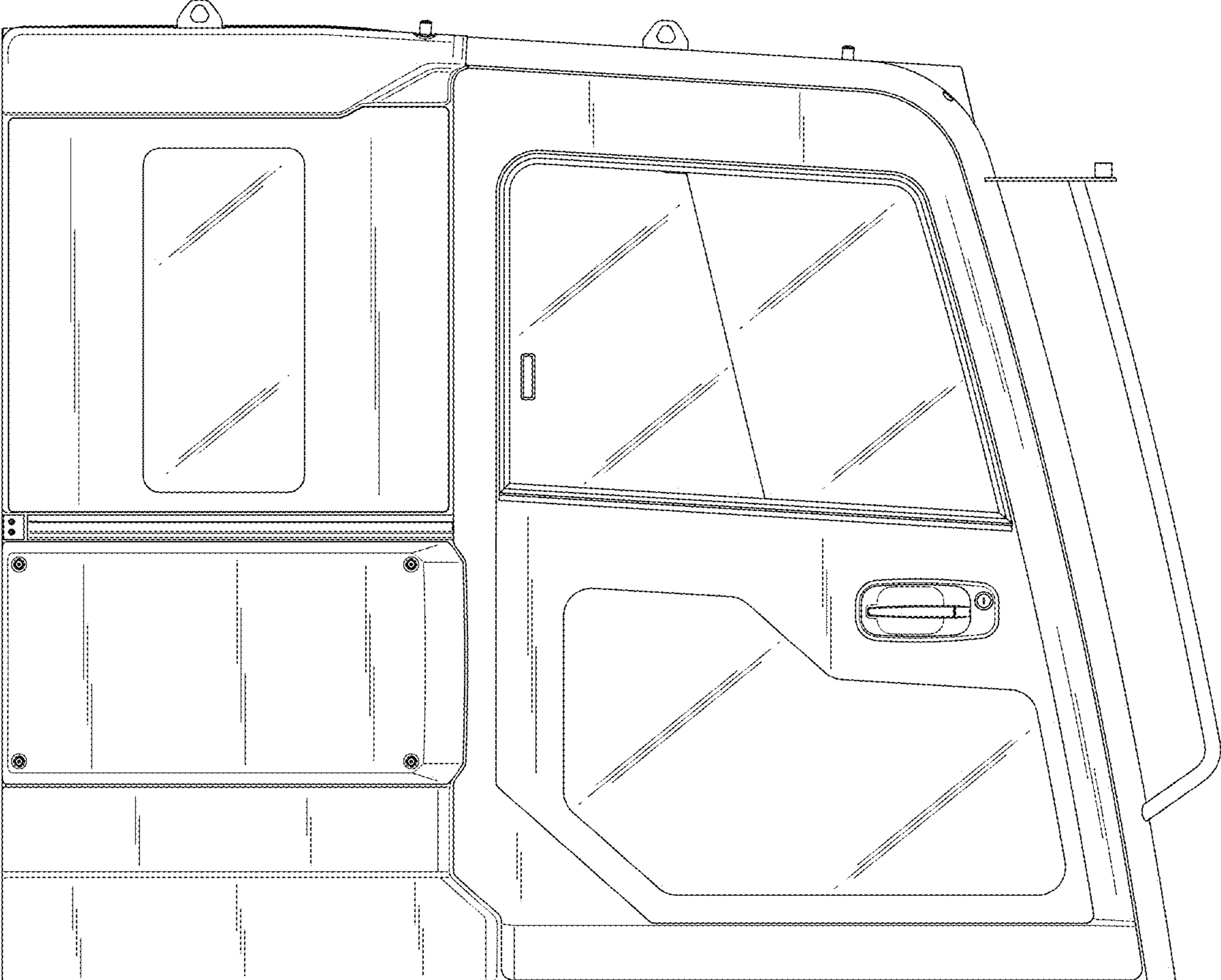


FIG.3

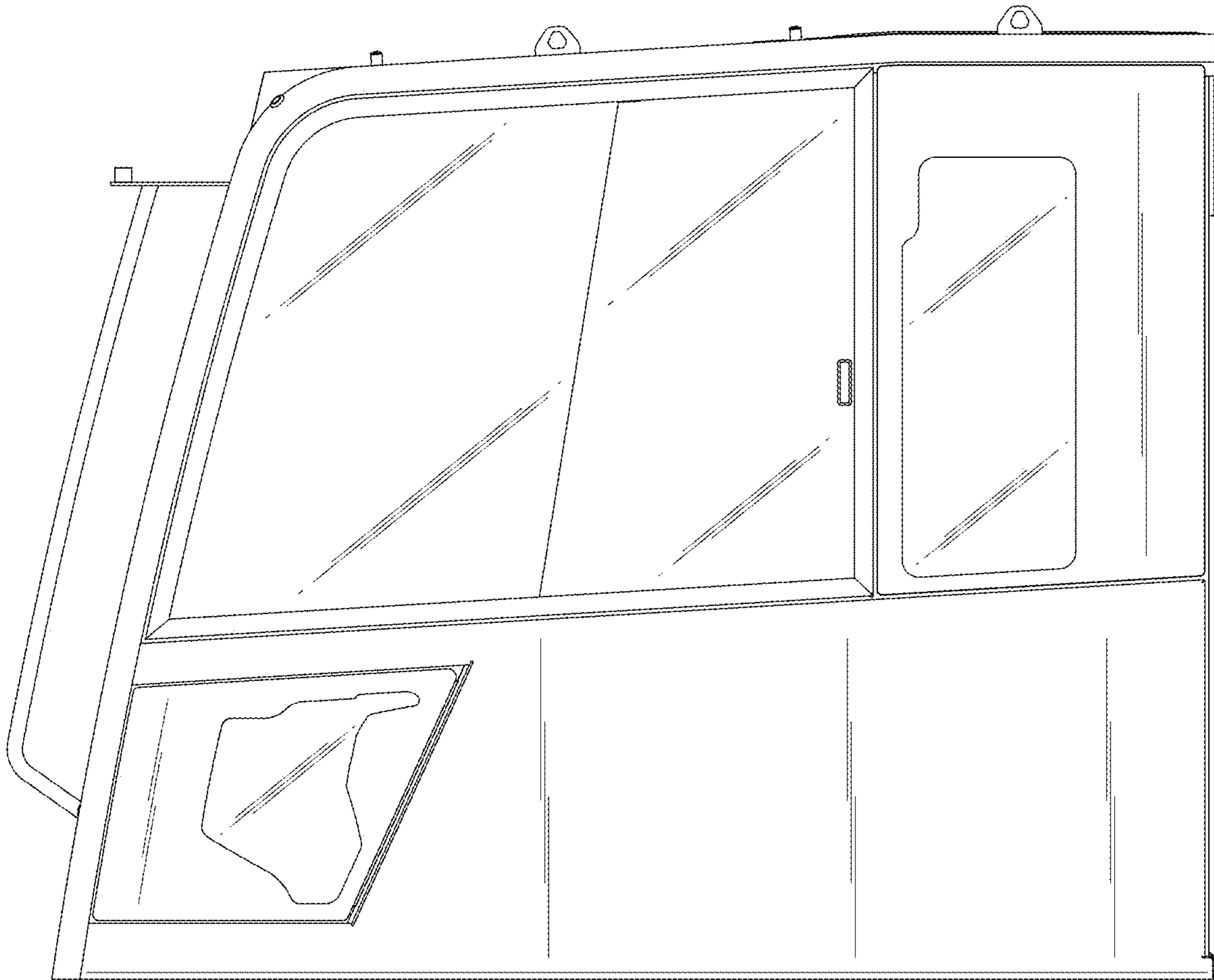


FIG.4

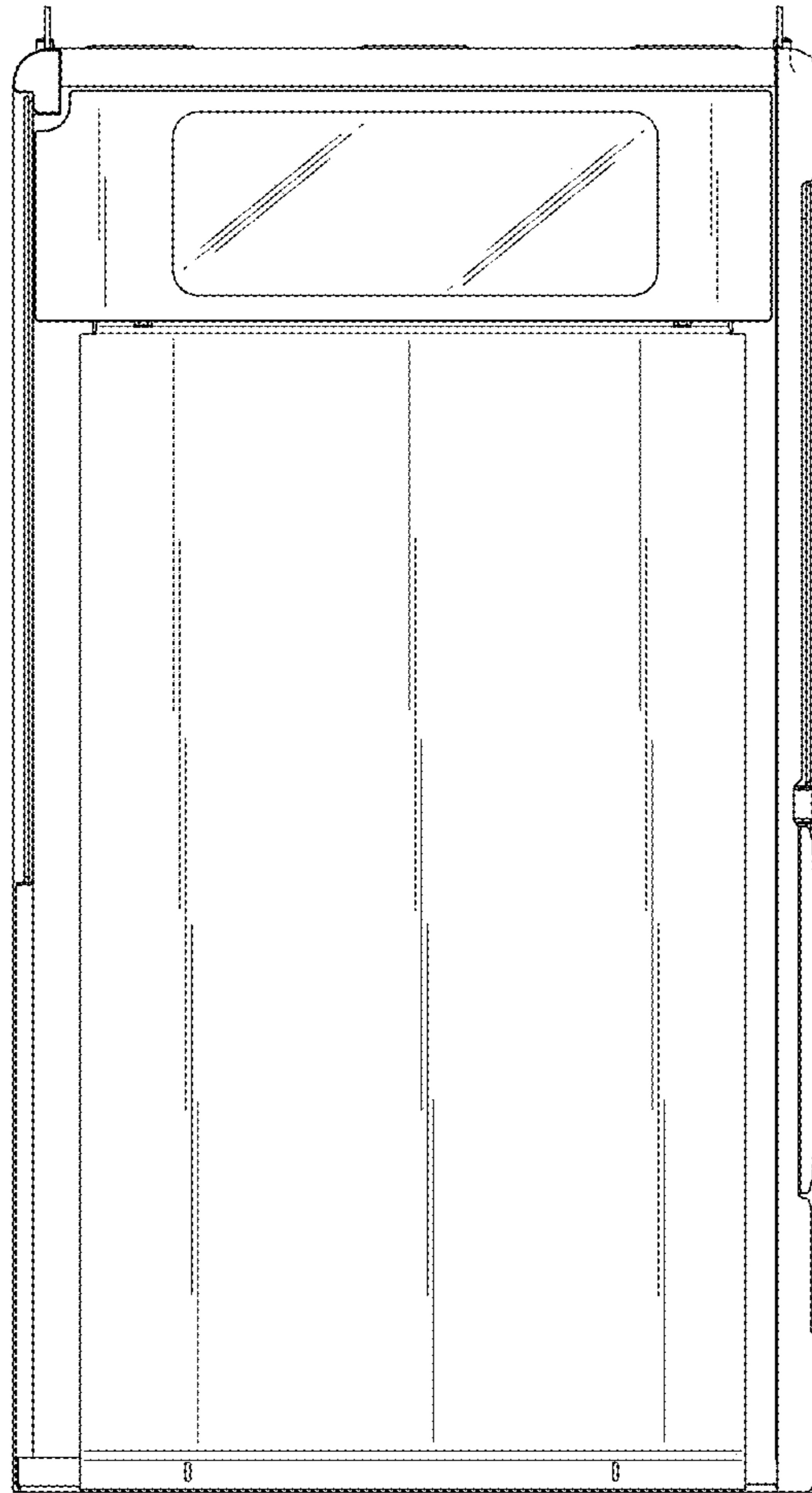


FIG.5

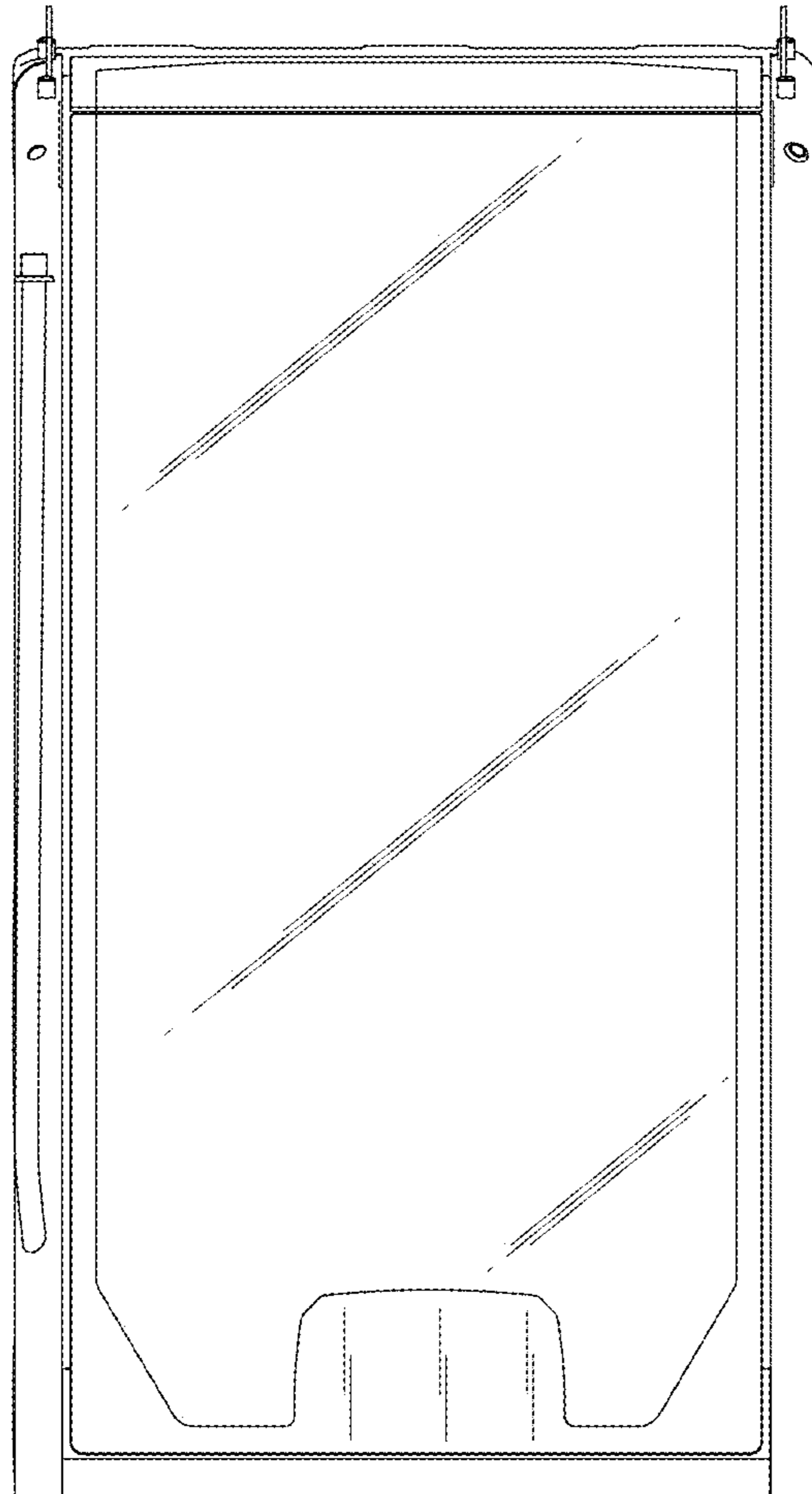


FIG.6



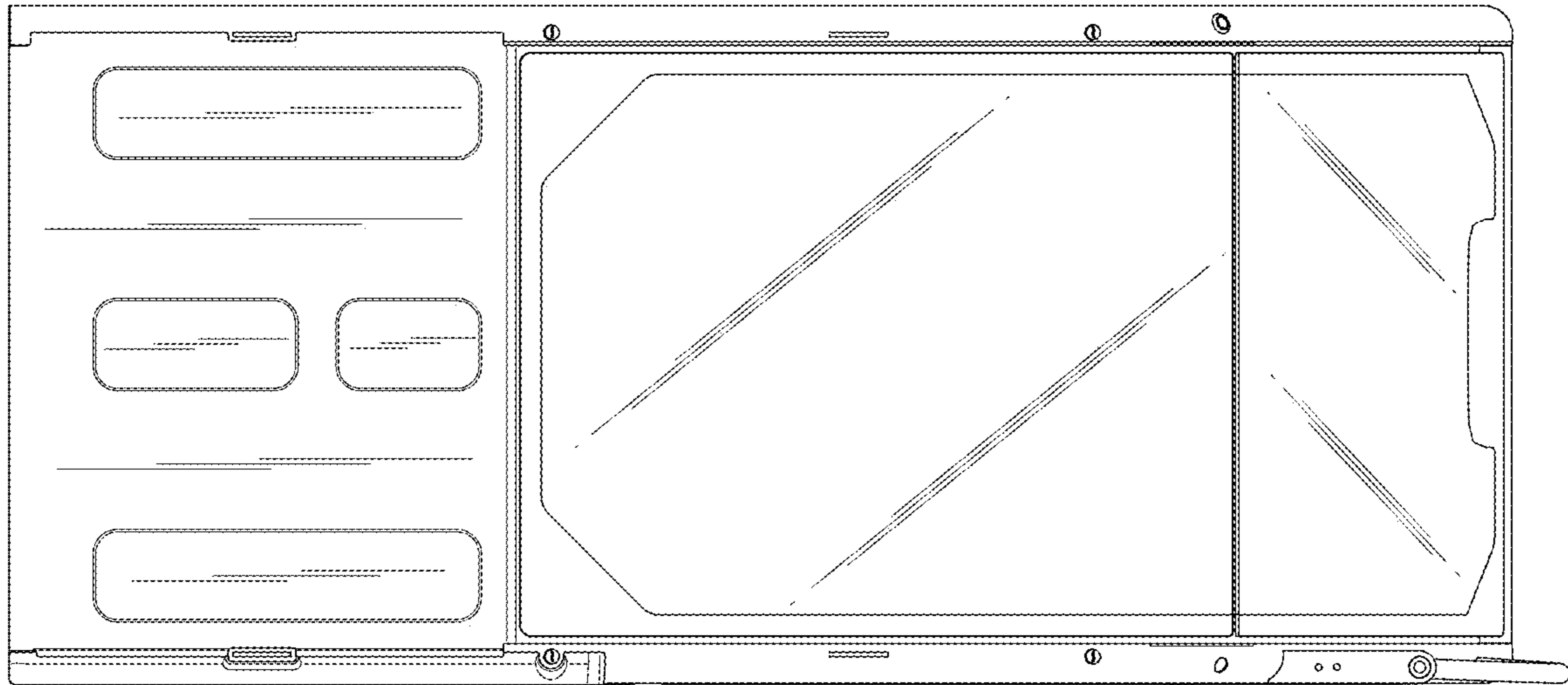


FIG.7

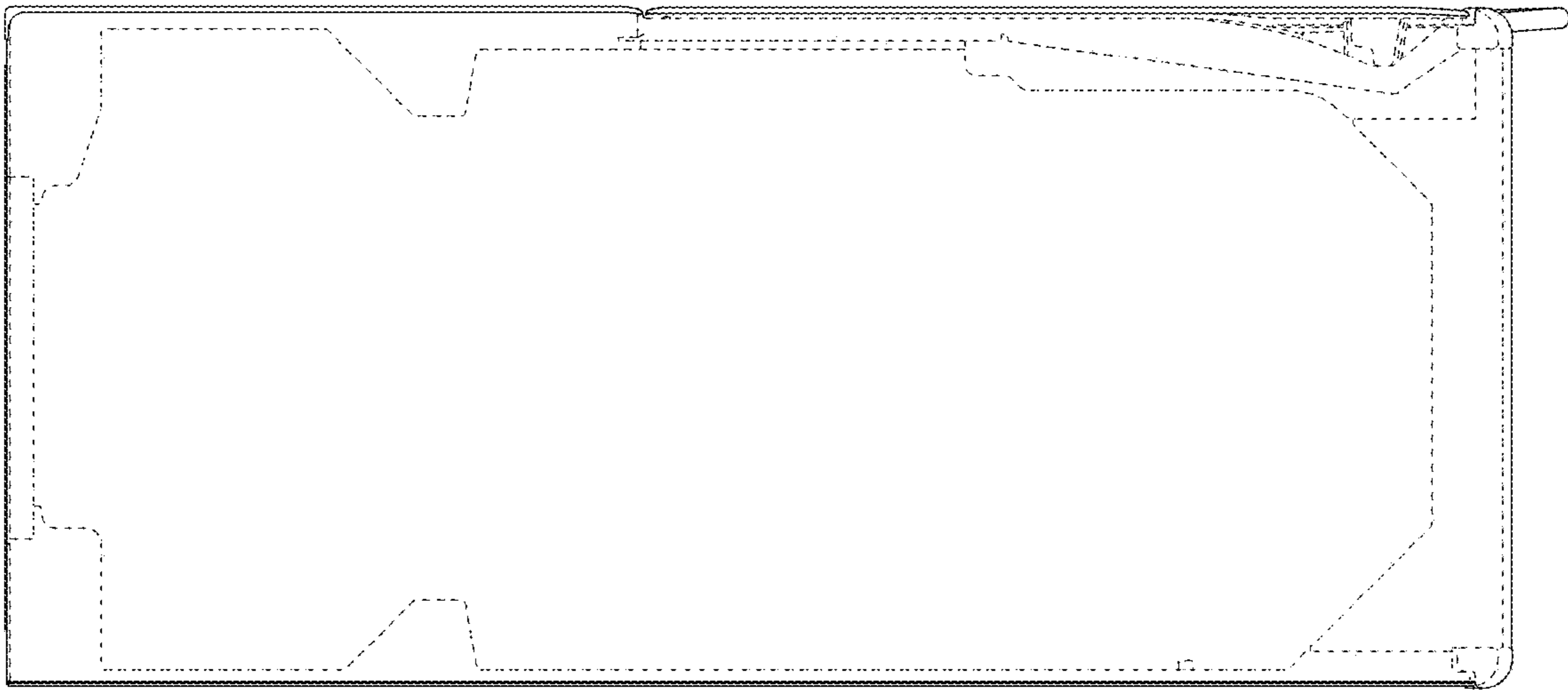


FIG.8