



US00D945733S

(12) **United States Design Patent**
Duka-Cort et al.

(10) **Patent No.:** **US D945,733 S**
(45) **Date of Patent:** **** Mar. 8, 2022**

- (54) **PERSONAL GROOMING CART**
- (71) Applicant: **Mutha Pearl LLC**, New York, NY (US)
- (72) Inventors: **Veronica Duka-Cort**, New York, NY (US); **Roberto DeJesus Hungria**, New York, NY (US)
- (73) Assignee: **Veronica Duka-Cort**, New York, NY (US)

7,338,054 B2 * 3/2008 Pint B62B 3/02
280/47.35
D625,071 S * 10/2010 Shigeno D34/17
D642,763 S * 8/2011 Liang D34/14
10,086,508 B2 * 10/2018 Hoppe A45C 13/36
D909,701 S * 2/2021 Diaz, III D34/20
2013/0118818 A1 * 5/2013 Smith B62B 1/12
180/19.1
2013/0193673 A1 * 8/2013 Vanderberg B62B 5/067
280/655
2021/0213986 A1 * 7/2021 Wolle B62B 1/14

* cited by examiner

(**) Term: **15 Years**

Primary Examiner — Cynthia Ramirez

(21) Appl. No.: **29/741,798**

(74) *Attorney, Agent, or Firm* — Kristin Grant; Grant Attorneys at Law PLLC

(22) Filed: **Jul. 15, 2020**

(57) **CLAIM**

(51) **LOC (13) Cl.** **12-02**

The ornamental design for a personal grooming cart, as shown and described.

(52) **U.S. Cl.**

USPC **D34/19**

DESCRIPTION

(58) **Field of Classification Search**

USPC D34/12, 14, 15, 17, 19, 20, 21, 25
CPC .. B62B 3/00; B62B 3/02; B62B 3/002; B62B 3/14; B62B 3/12; B62B 3/005; B62B 1/12

See application file for complete search history.

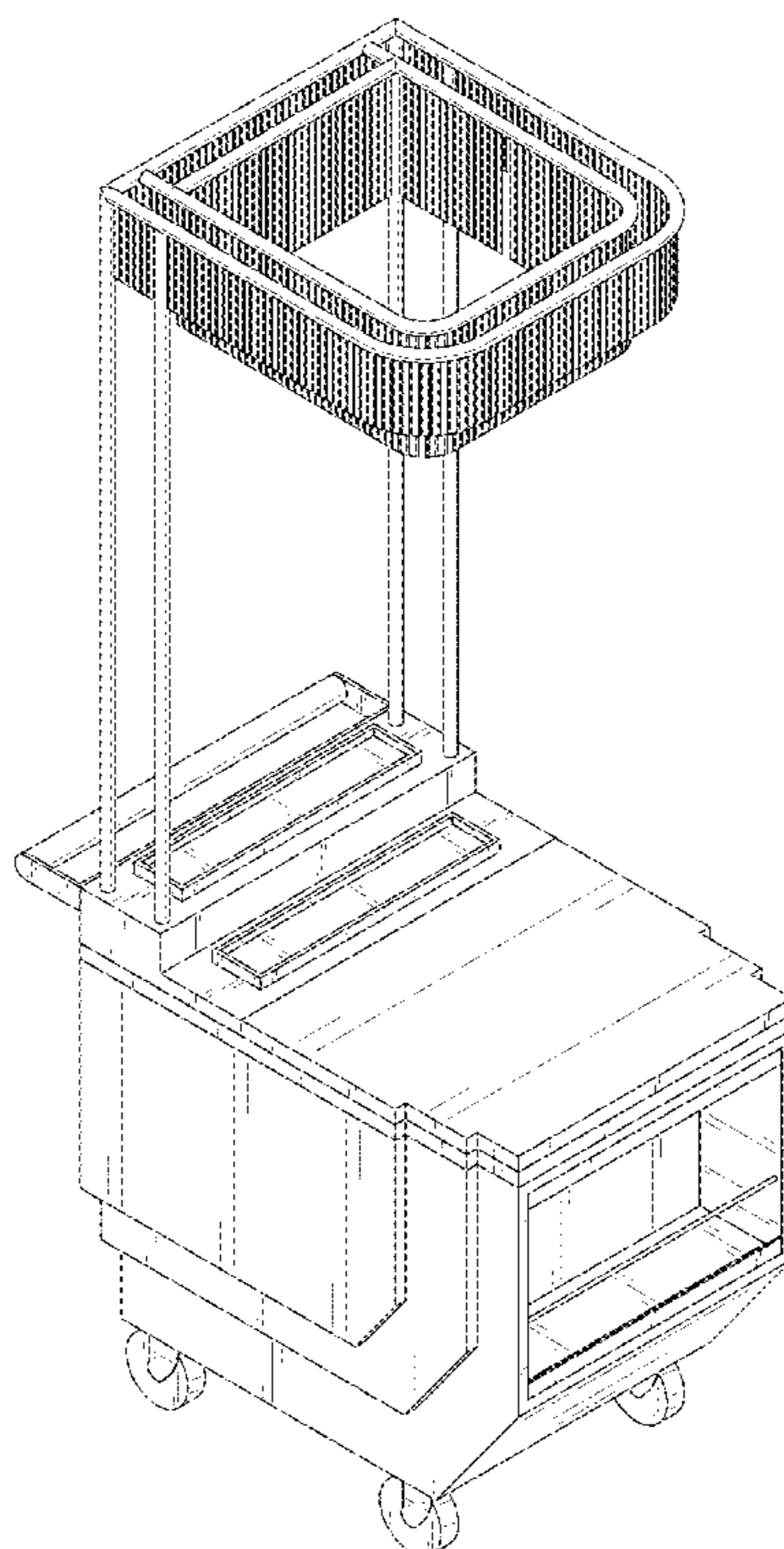
FIG. 1 is a right perspective view of a personal grooming cart according to the present invention;
FIG. 2 is front view thereof;
FIG. 3 is a rear view thereof;
FIG. 4 is a right-side view thereof;
FIG. 5 is a left-side view thereof;
FIG. 6 is a top view thereof;
FIG. 7 is a bottom view thereof;
FIG. 8 is a left perspective view of the present invention in a closed state; and,
FIG. 9 is a left perspective view of the present invention in an open state.

(56) **References Cited**

U.S. PATENT DOCUMENTS

- 5,893,572 A * 4/1999 Parks B25H 3/00
280/47.18
- D486,915 S * 2/2004 Warschewske D24/185
- D528,729 S * 9/2006 Van Lanningham, Jr. D34/17
- D553,324 S * 10/2007 Lieblein D34/14

1 Claim, 9 Drawing Sheets



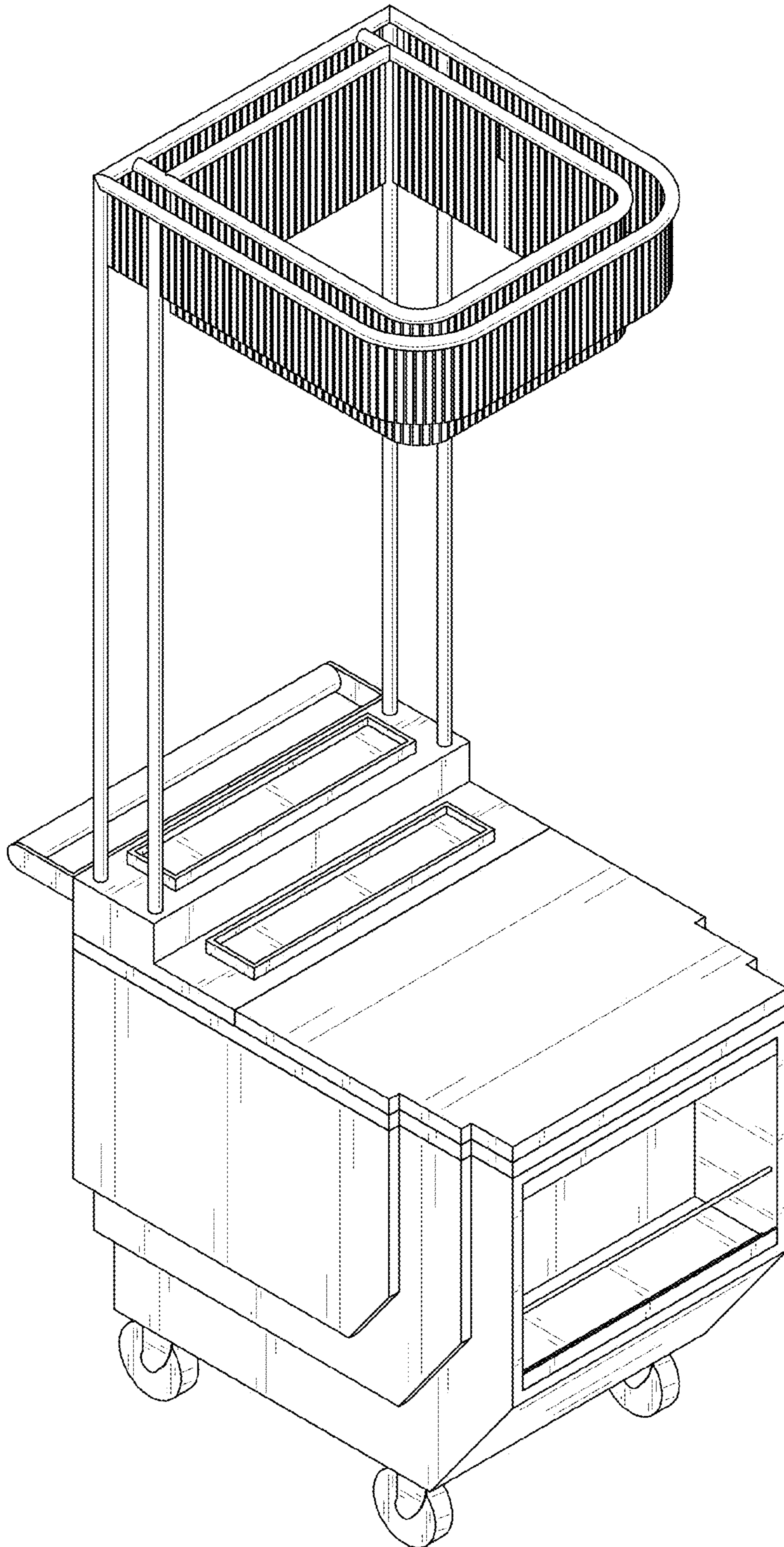


FIG. 1

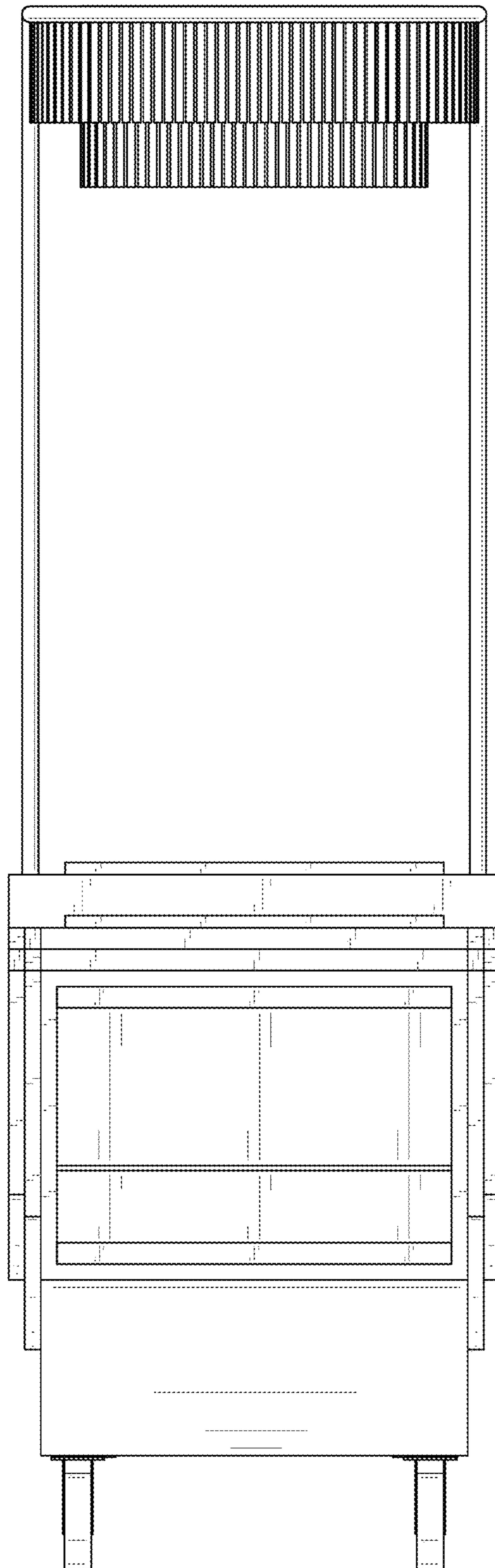


FIG. 2

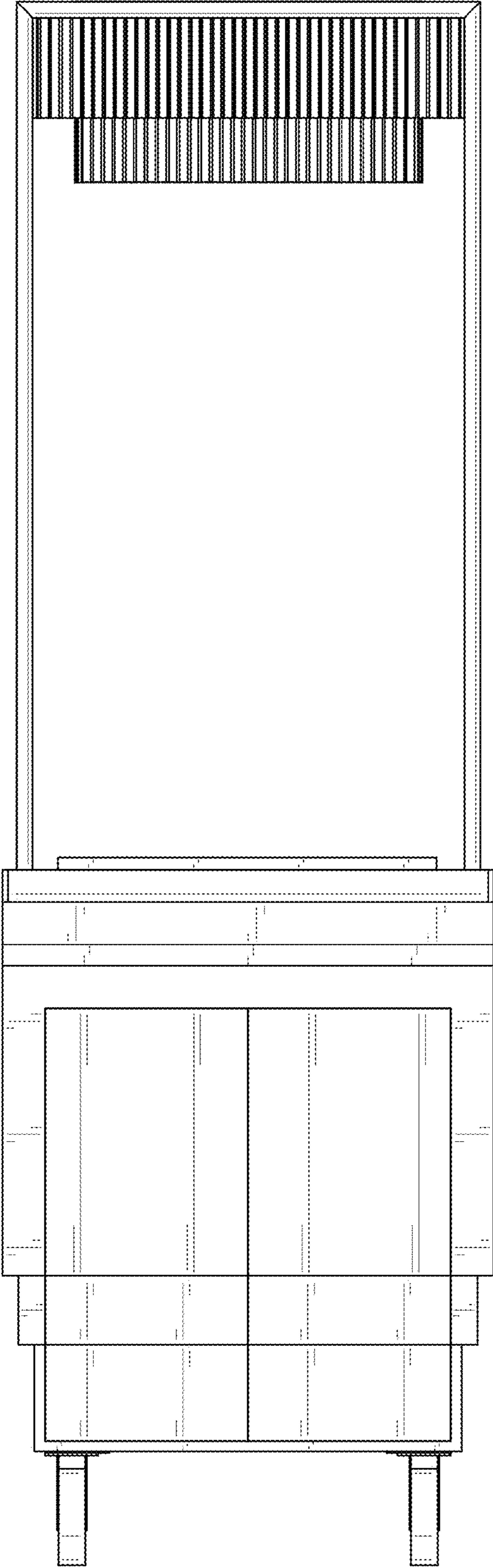


FIG. 3

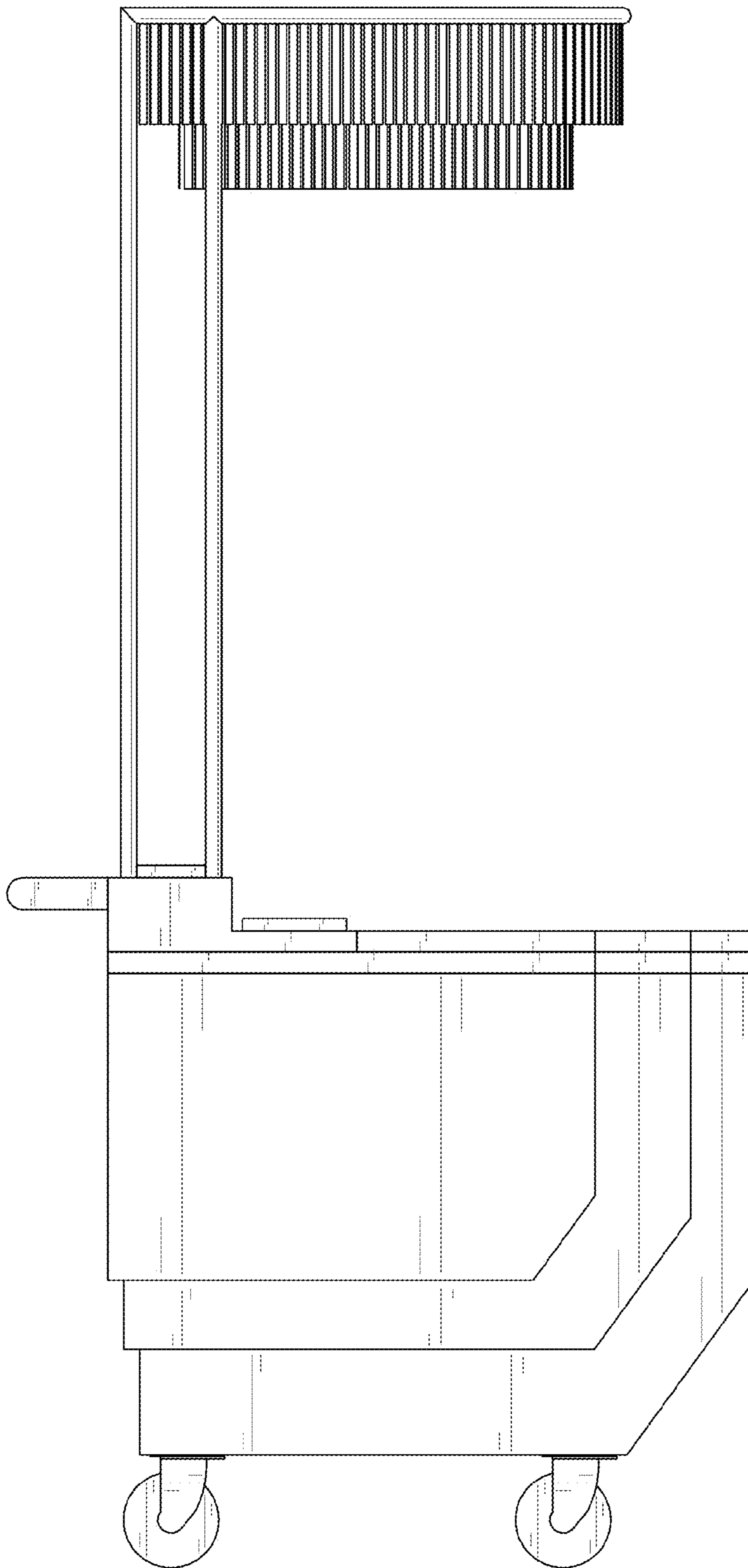


FIG. 4

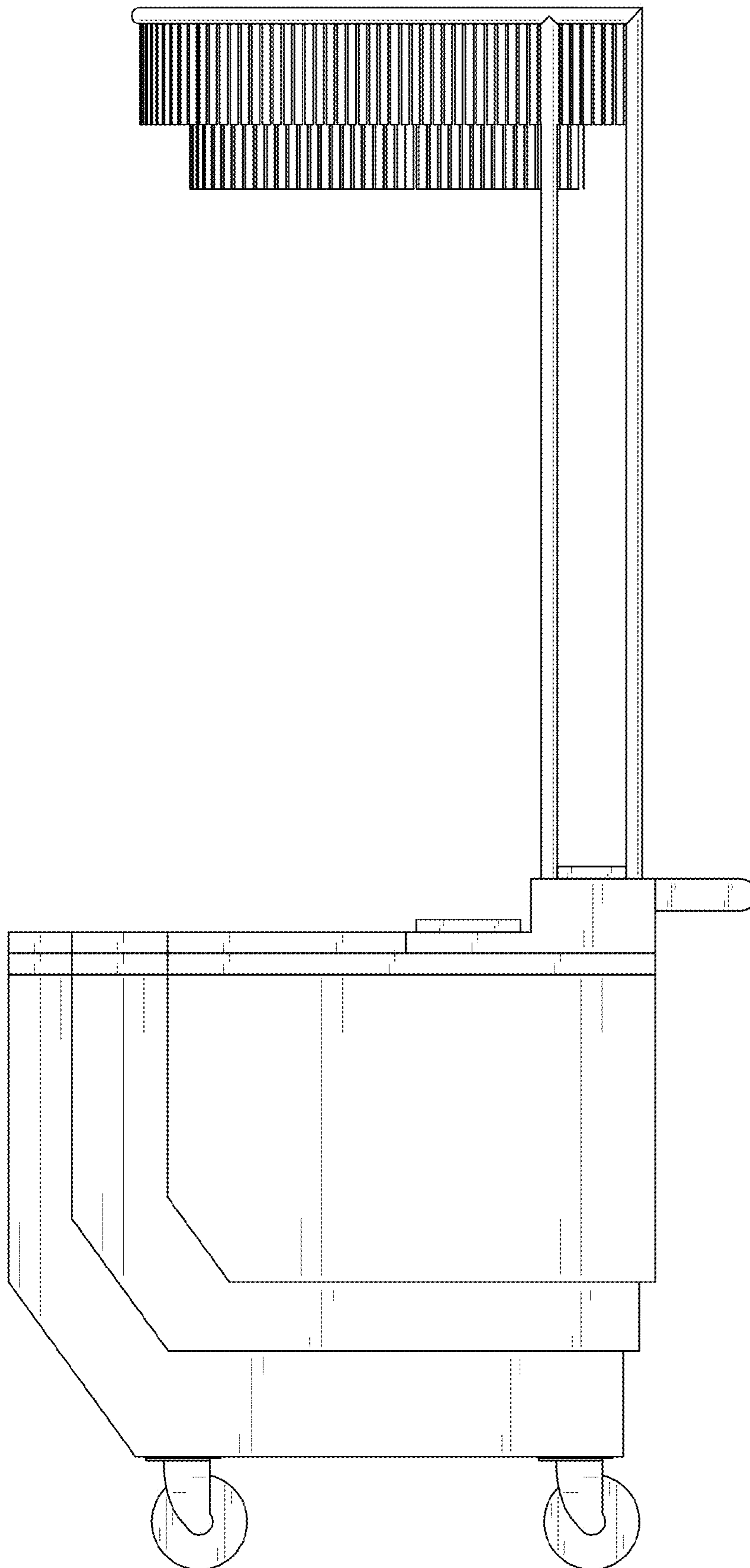


FIG. 5

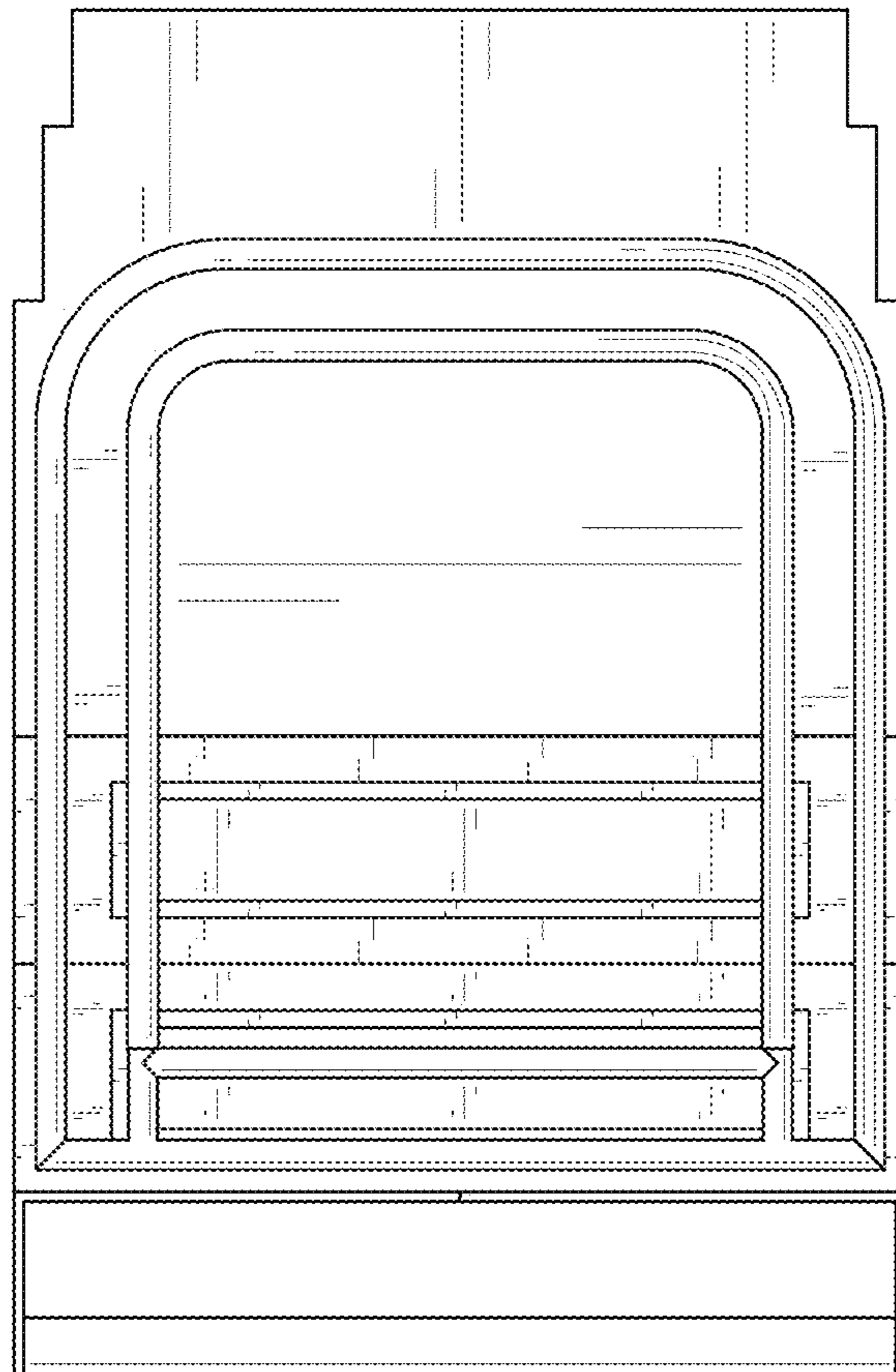


FIG. 6

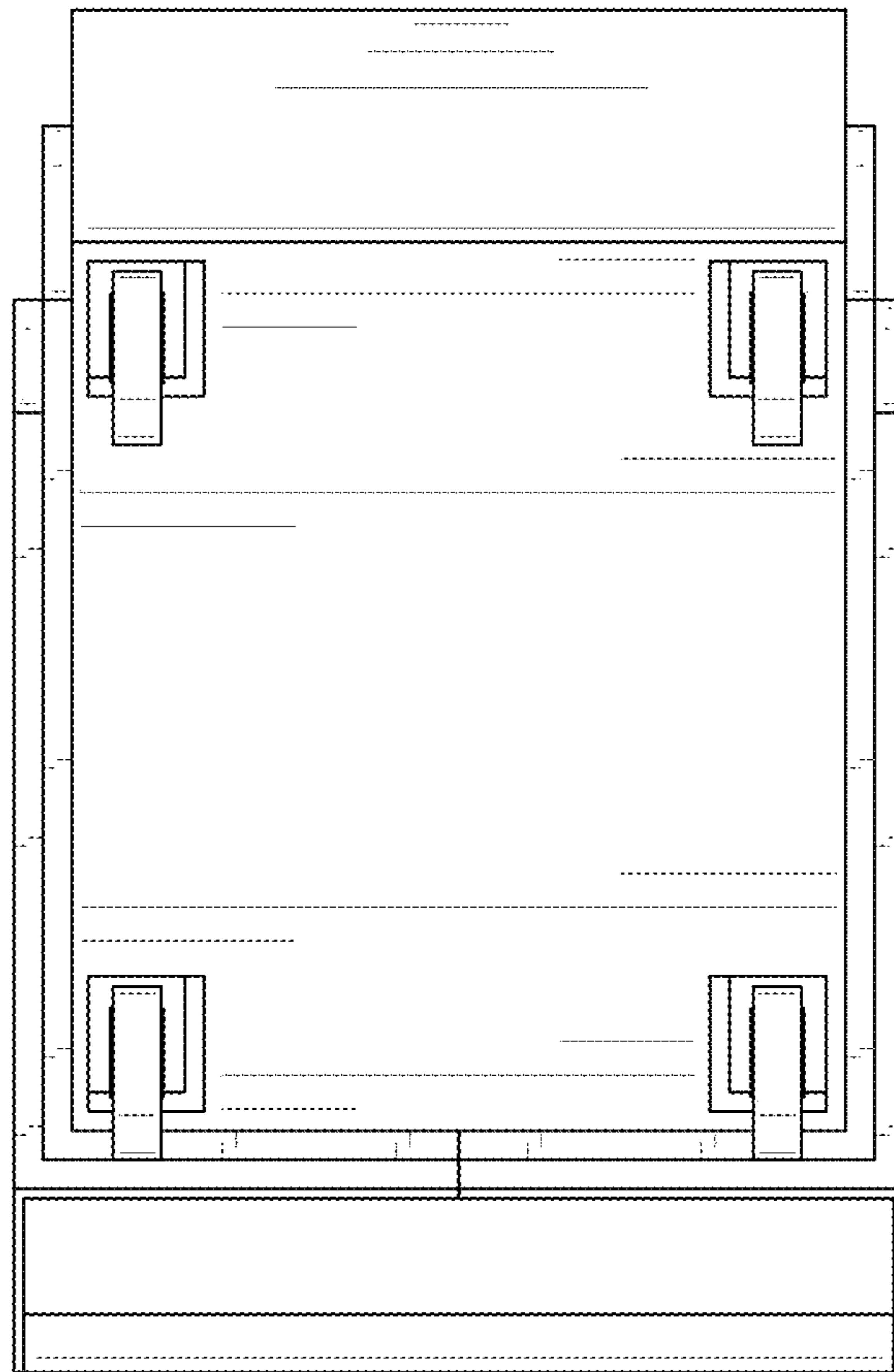


FIG. 7

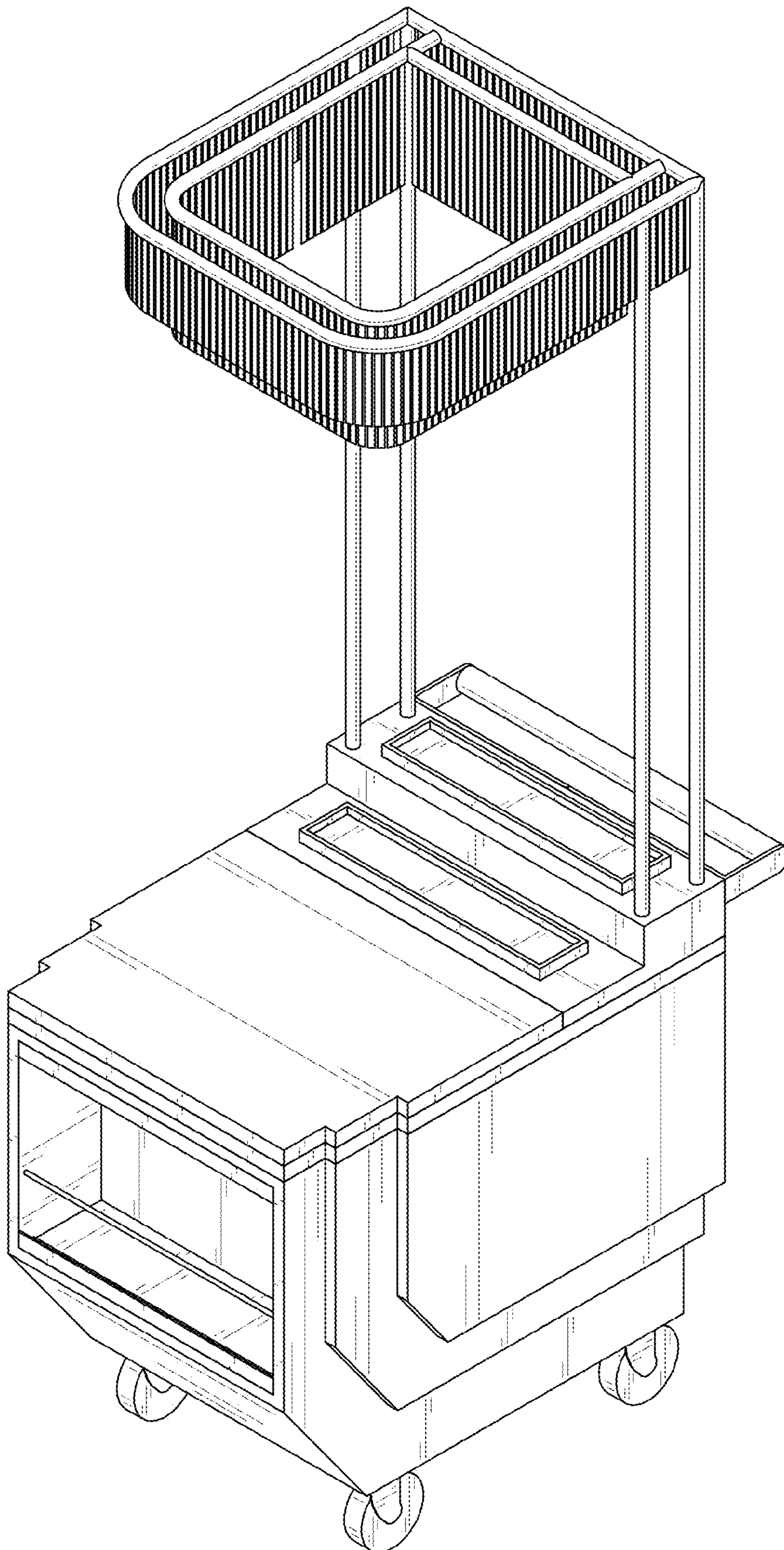


FIG. 8

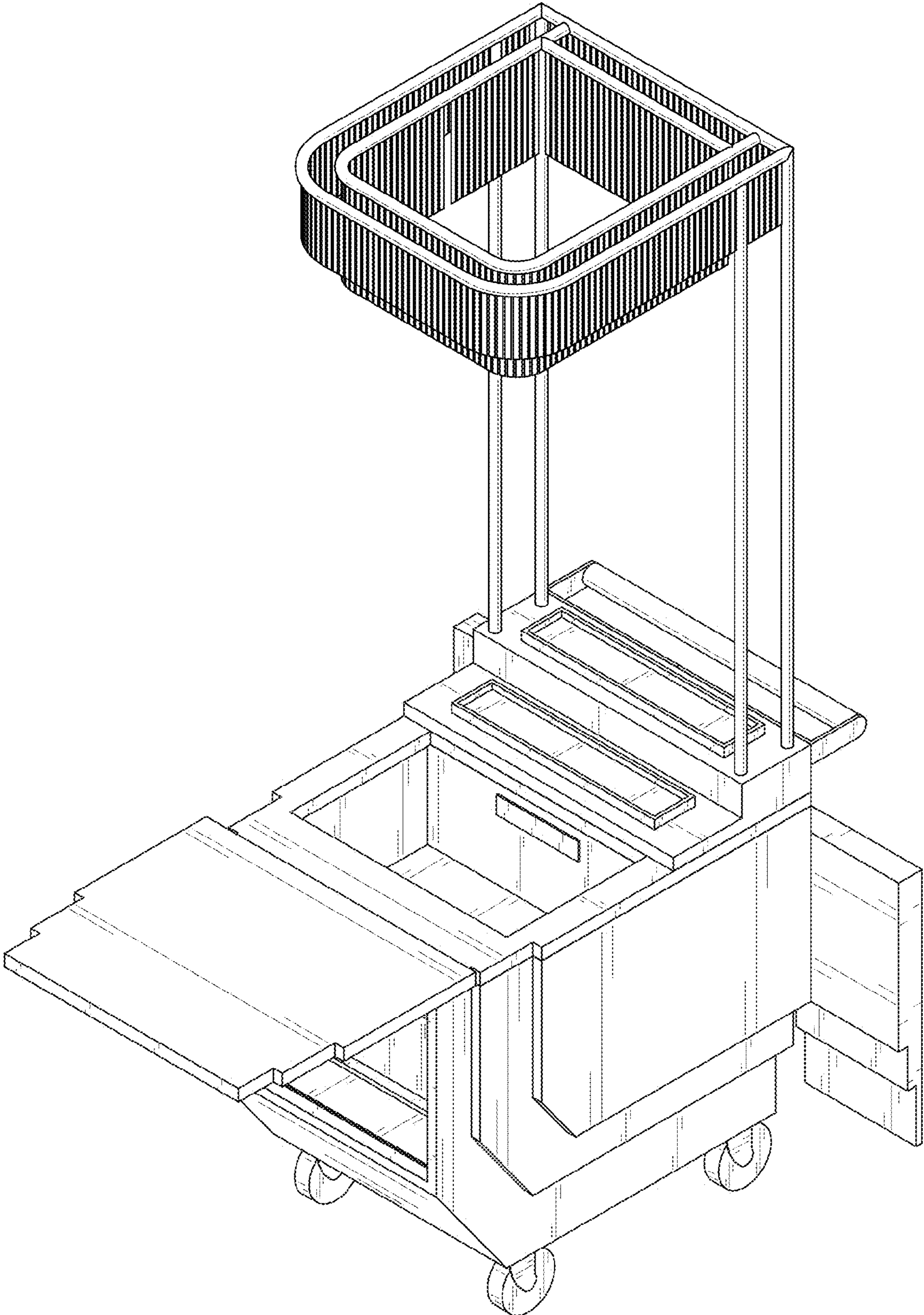


FIG. 9