



US00D945729S

(12) **United States Design Patent**
Mobley et al.

(10) **Patent No.:** **US D945,729 S**
(45) **Date of Patent:** **** Mar. 8, 2022**

- (54) **BRUSH FOR CLEANING A GRILL**
- (71) Applicant: **Grill Rescue LLC**, Palm City, FL (US)
- (72) Inventors: **Scott Jacob Mobley**, Palm City, FL (US); **Anthony Tranchida**, Palm City, FL (US)
- (73) Assignee: **GRILL RESCUE LLC**, Palm City, FL (US)
- (**) Term: **15 Years**
- (21) Appl. No.: **29/715,568**
- (22) Filed: **Dec. 3, 2019**
- (51) **LOC (13) Cl.** **07-05**
- (52) **U.S. Cl.**
USPC **D32/46; D4/137**
- (58) **Field of Classification Search**
USPC D32/46, 49-52; D7/688
CPC A47L 13/10; A47L 13/12
See application file for complete search history.

D814,803 S * 4/2018 Zemel D4/131
 D833,153 S * 11/2018 Zemel D4/118
 2005/0011029 A1* 1/2005 Yu A47L 13/12
 15/111

FOREIGN PATENT DOCUMENTS

GB 1046315 * 11/1987

OTHER PUBLICATIONS

Grill Brush w/Scraper Default Title | The best grill brush, https://grillrescue.com/products/grill-brush-w-scraper?variant=35829614346399&utm_me... site visited Dec. 5, 2020.*

* cited by examiner

Primary Examiner — John R Yeh

(74) *Attorney, Agent, or Firm* — Kilpatrick Townsend & Stockton LLP

(57) **CLAIM**

We claim the ornamental design for a brush for cleaning a grill, as shown and described.

DESCRIPTION

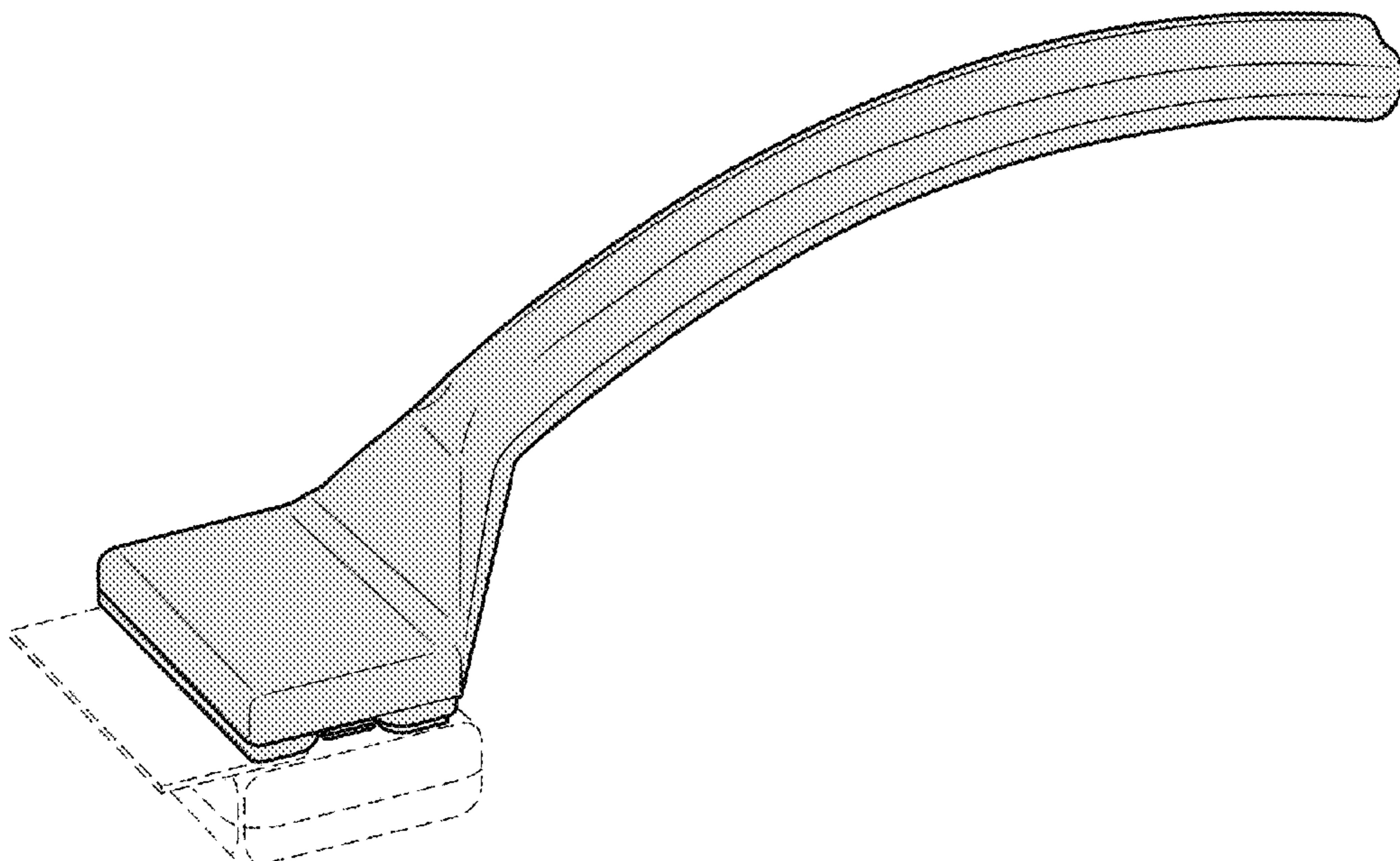
FIG. 1 is a front, left side, top perspective view showing our new design for a brush for cleaning a grill;
 FIG. 2 is left side view thereof;
 FIG. 3 is a front view thereof;
 FIG. 4 is right side view thereof;
 FIG. 5 is a rear view thereof;
 FIG. 6 is a top view thereof; and,
 FIG. 7 is a bottom view thereof.
 The broken lines depict portions of the brush for cleaning a grill that form no part of the claimed design.

1 Claim, 4 Drawing Sheets

(56) **References Cited**

U.S. PATENT DOCUMENTS

- D345,653 S * 4/1994 Joyner D4/138
- D358,491 S * 5/1995 Hoagland D32/42
- D429,889 S * 8/2000 Fielding D32/42
- 6,966,094 B1 * 11/2005 Rigakos A47J 37/0786
15/111
- D540,543 S * 4/2007 Hay D4/118
- D562,009 S * 2/2008 Zemel D4/118
- D664,319 S * 7/2012 Thompson D32/46
- 8,438,687 B2 * 5/2013 Cybulski A47J 37/0786
15/111
- D715,506 S * 10/2014 Binne D32/46
- 9,210,993 B2 * 12/2015 Gonzalez A46B 7/04
- D750,336 S * 2/2016 Taylor, III D32/49
- 9,357,832 B2 * 6/2016 Gonzalez A46D 1/0207



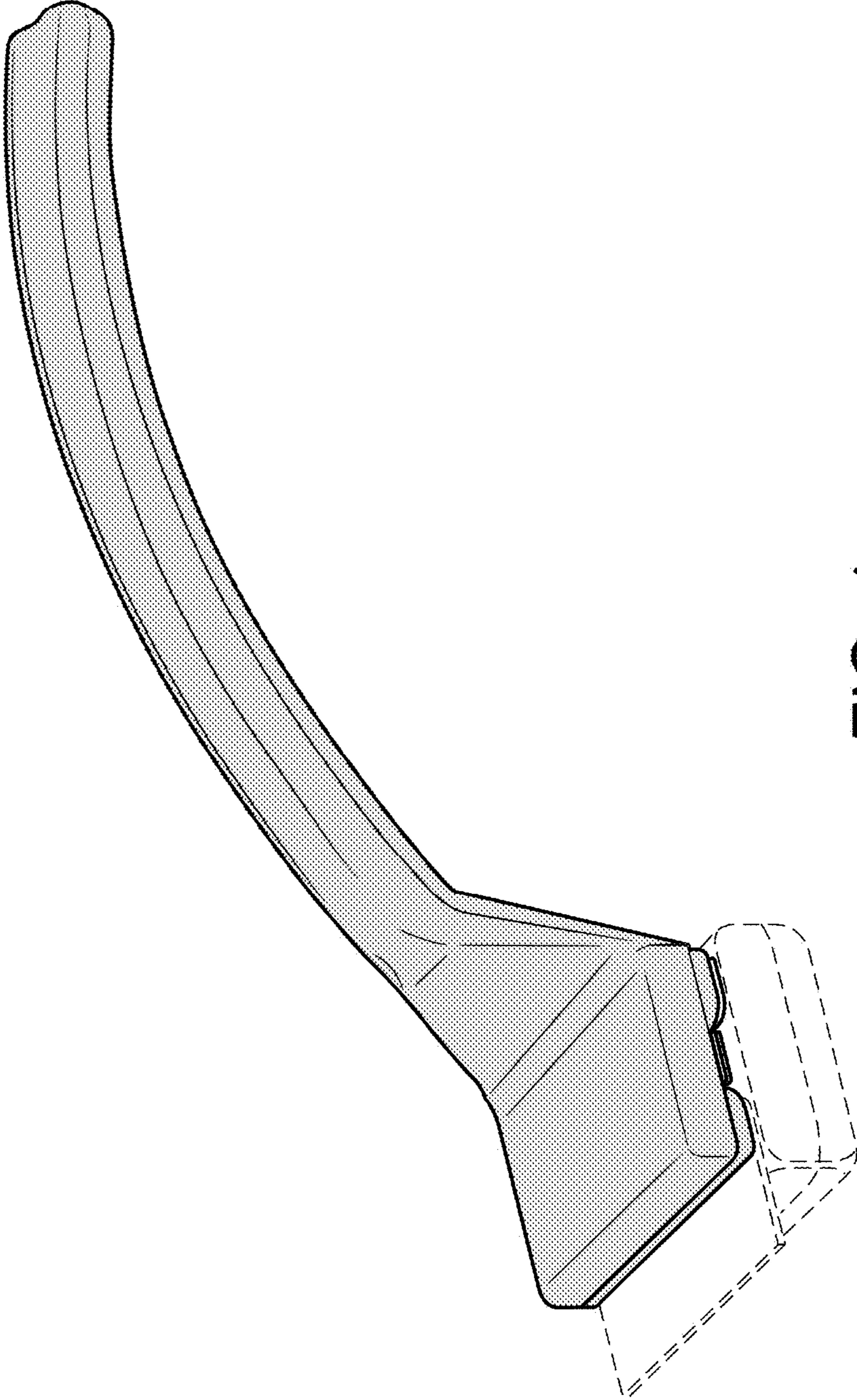


FIG. 1

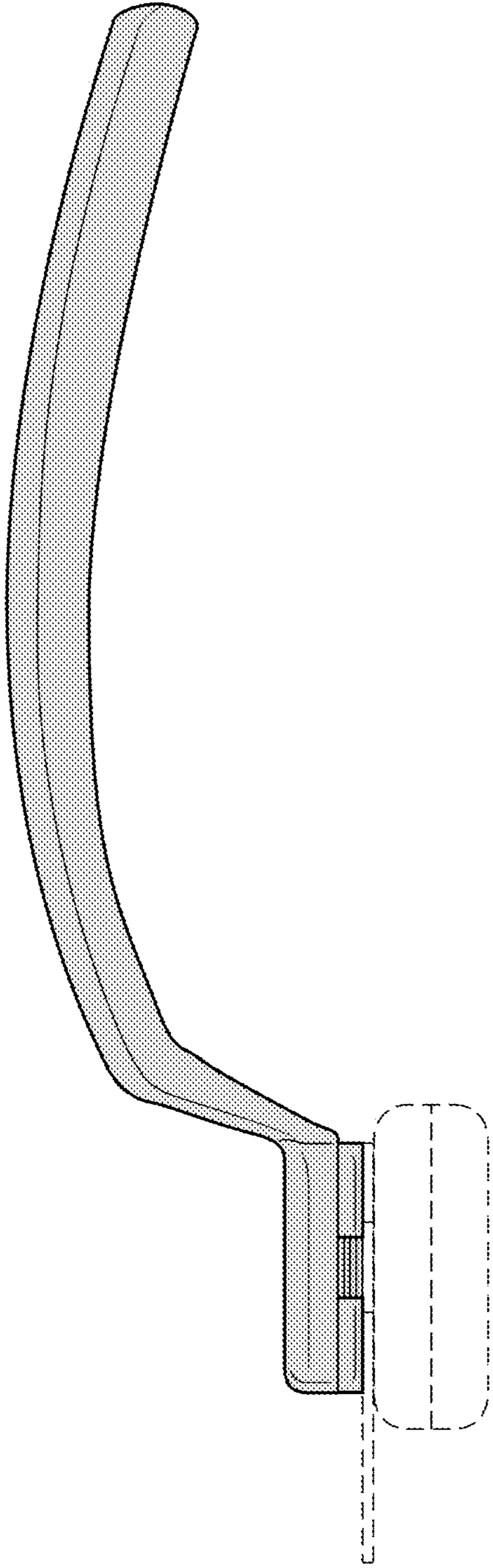


FIG. 2

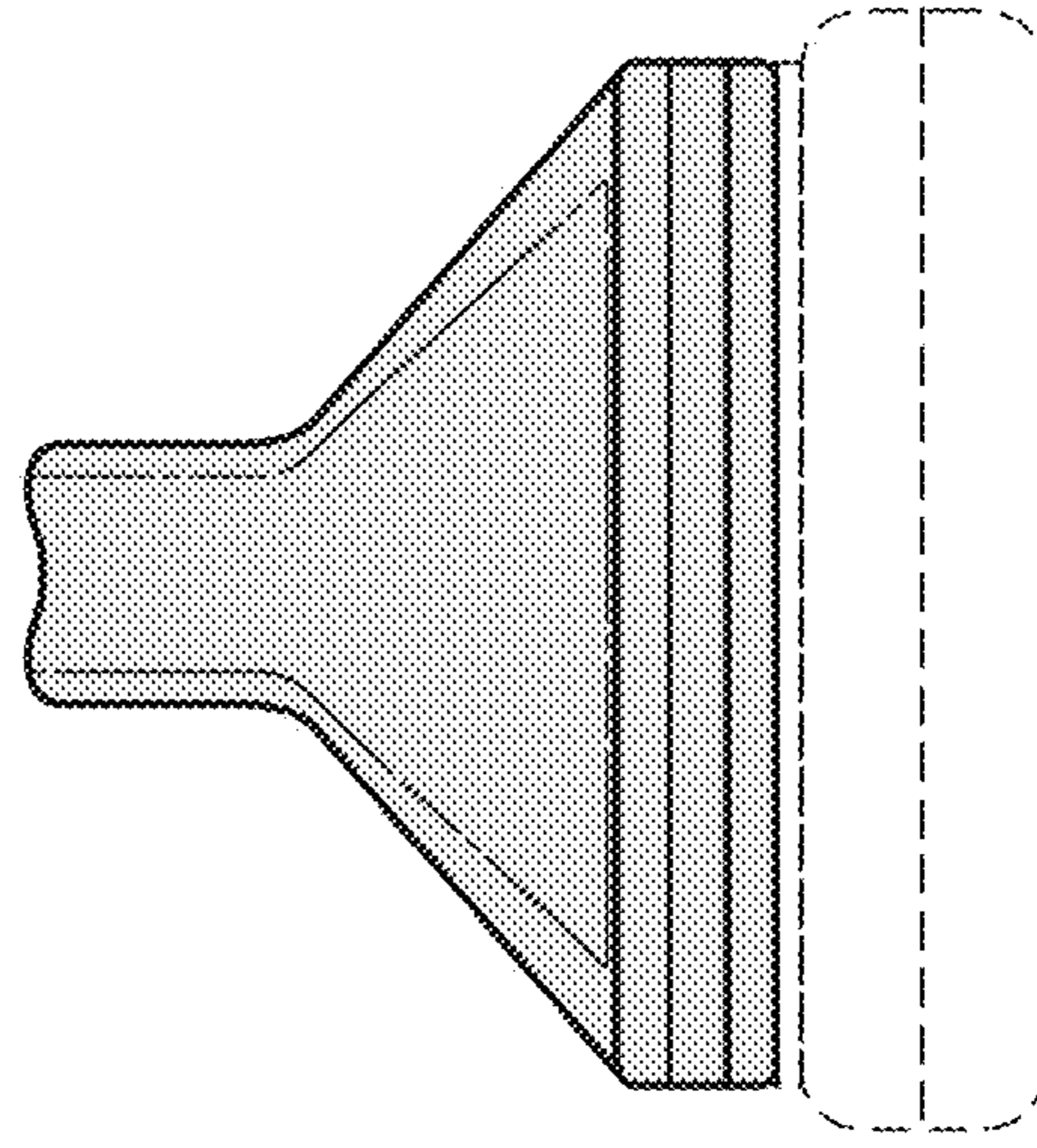
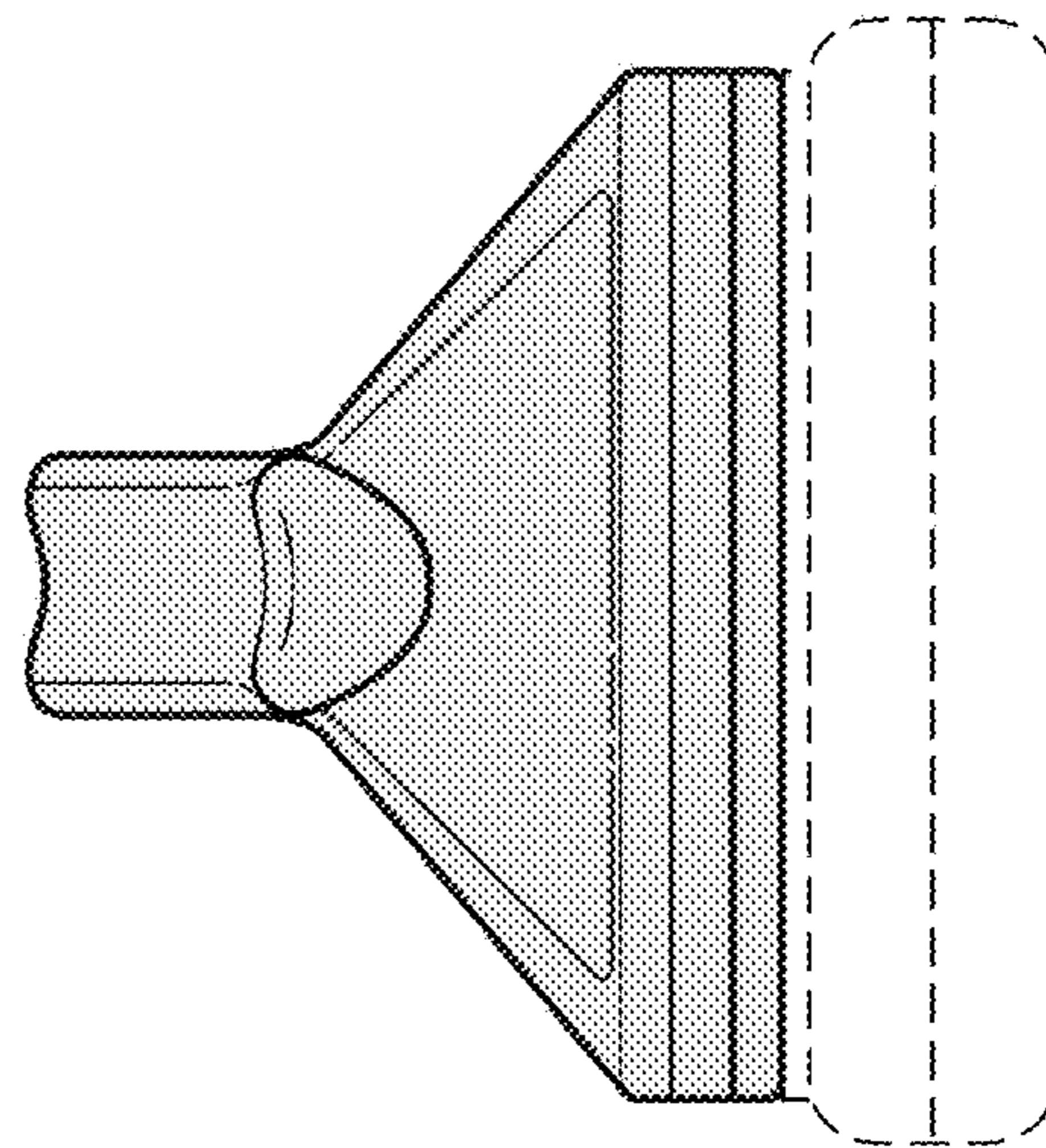
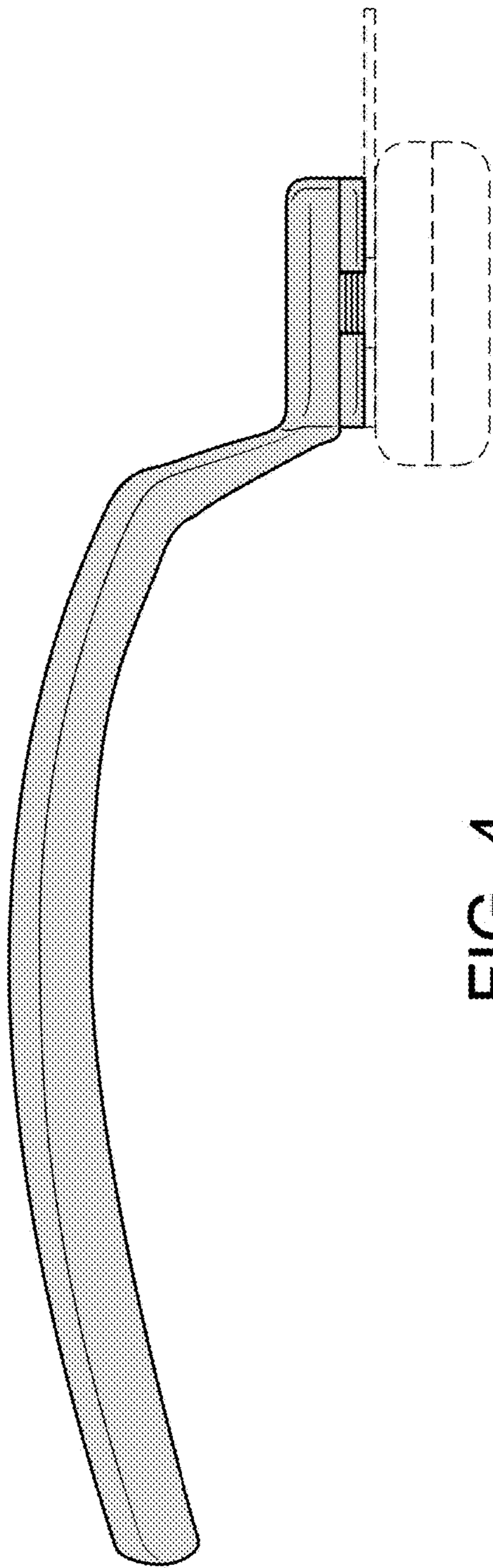


FIG. 3



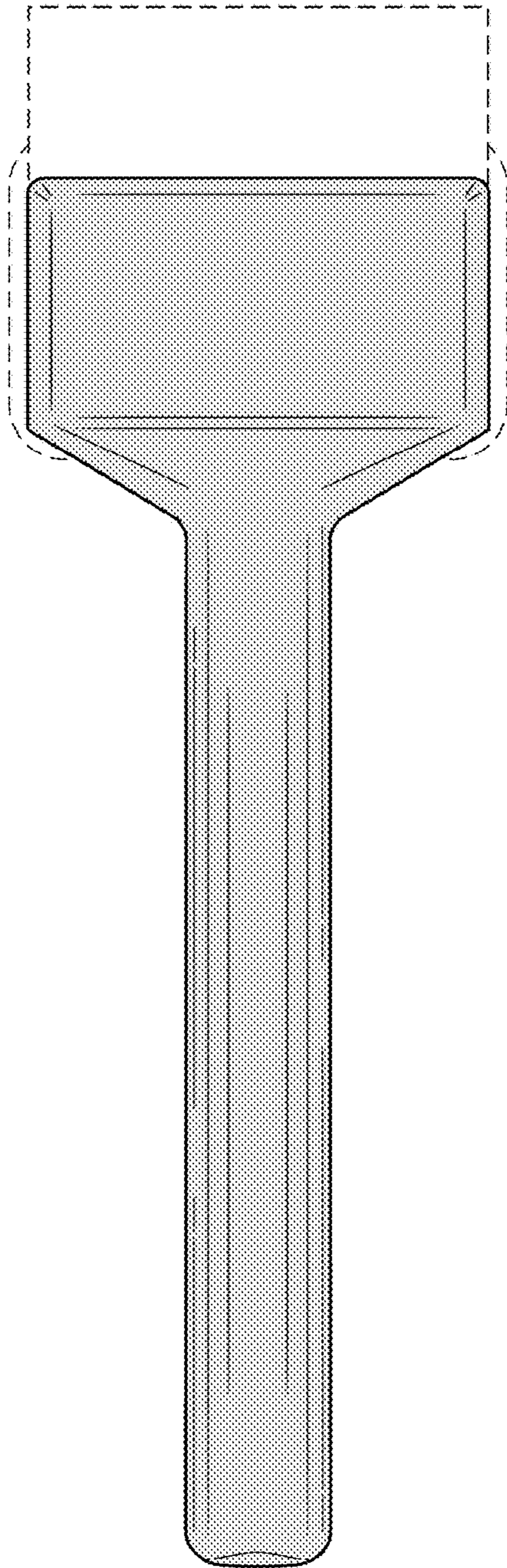


FIG. 6

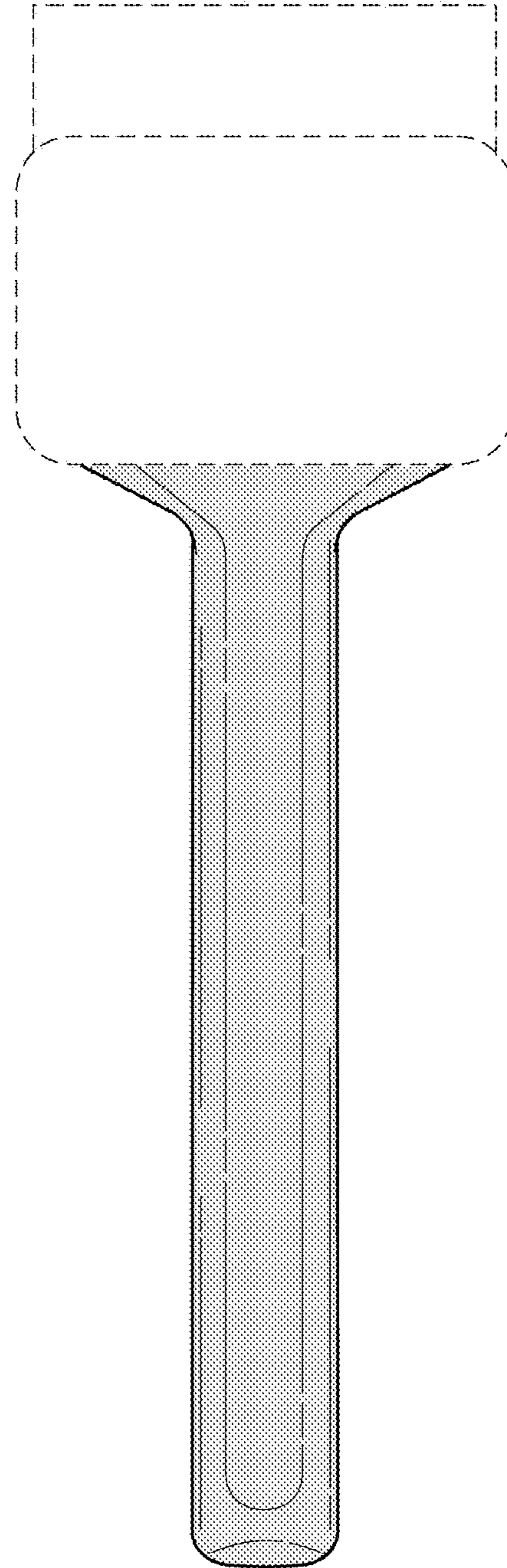


FIG. 7