



US00D945725S

(12) **United States Design Patent**
Gou

(10) **Patent No.:** **US D945,725 S**
(45) **Date of Patent:** **** Mar. 8, 2022**

- (54) **CLEANING DEVICE FOR SOLDERING TIPS**
- (71) Applicant: **Guangzhou Yihua Electronic Equipment Co., Ltd., Guangdong (CN)**
- (72) Inventor: **Mingkang Gou, Guangdong (CN)**
- (73) Assignee: **Guangzhou Yihua Electronic Equipment Co., Ltd., Guangdong (CN)**
- (**) Term: **15 Years**

D929,199 S *	8/2021	Li	D8/62
2014/0131474 A1 *	5/2014	Gansebom	B08B 3/026
				239/73
2016/0067726 A1 *	3/2016	Gilpatrick	B05B 12/004
				239/526
2016/0084240 A1 *	3/2016	Jackson	F04B 1/12
				417/364
2019/0001458 A1 *	1/2019	Valentini	B24D 7/06
2019/0118337 A1 *	4/2019	Lipson	B24B 49/006
2019/0184516 A1 *	6/2019	Schneider	B24B 45/006
2021/0060729 A1 *	3/2021	McLain	B24D 9/08

- (21) Appl. No.: **29/748,325**
- (22) Filed: **Aug. 28, 2020**
- (51) **LOC (13) Cl.** **15-05**
- (52) **U.S. Cl.**
USPC **D32/35**
- (58) **Field of Classification Search**
USPC D32/1, 14, 15-16, 19, 25; D8/62
CPC B08B 3/02; B24B 23/02
See application file for complete search history.

FOREIGN PATENT DOCUMENTS

KR 301062251-0000 * 6/2020 15/5
* cited by examiner

Primary Examiner — John R Yeh
(74) *Attorney, Agent, or Firm* — Lucas & Mercanti, LLP

(57) **CLAIM**

The ornamental design for a cleaning device for soldering tips, as shown and described.

DESCRIPTION

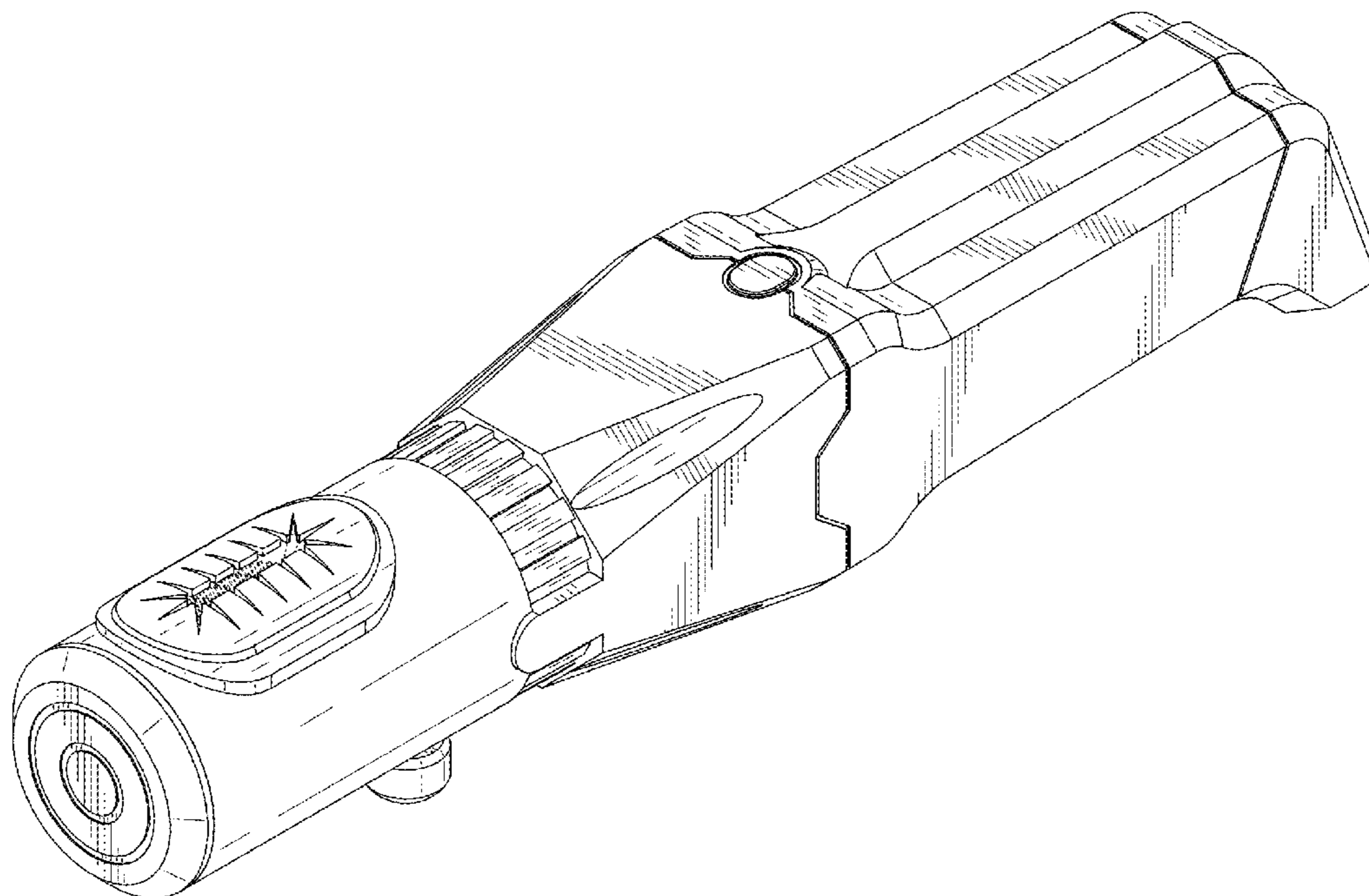
FIG. 1 is a top, front, right side perspective view of a cleaning device for soldering tips showing my new design; FIG. 2 is a top, rear, left side perspective view thereof; FIG. 3 is a top view thereof; FIG. 4 is a bottom view thereof; FIG. 5 is a front view thereof; FIG. 6 is a rear view thereof; FIG. 7 is a left side view thereof; and, FIG. 8 is a right side view thereof. The broken lines depict portions of the cleaning device for soldering tips that form no part of the claimed design.

1 Claim, 5 Drawing Sheets

(56) **References Cited**

U.S. PATENT DOCUMENTS

D325,796 S *	4/1992	Kallenbach	D32/21
D334,126 S *	3/1993	Huber	D8/62
D380,069 S *	6/1997	McCracken	D32/19
5,856,396 A *	1/1999	Vipperman	B24B 27/033
				524/425
D796,133 S *	8/2017	Larouche	D32/31
D827,404 S *	9/2018	Schneider	D8/62
D859,761 S *	9/2019	Brown	D32/19
D859,762 S *	9/2019	Brown	D32/19
D860,556 S *	9/2019	Brown	D32/19
D924,028 S *	7/2021	Gallahar	D8/62
D929,042 S *	8/2021	Lu	D28/58
D929,198 S *	8/2021	Gysland	D8/62



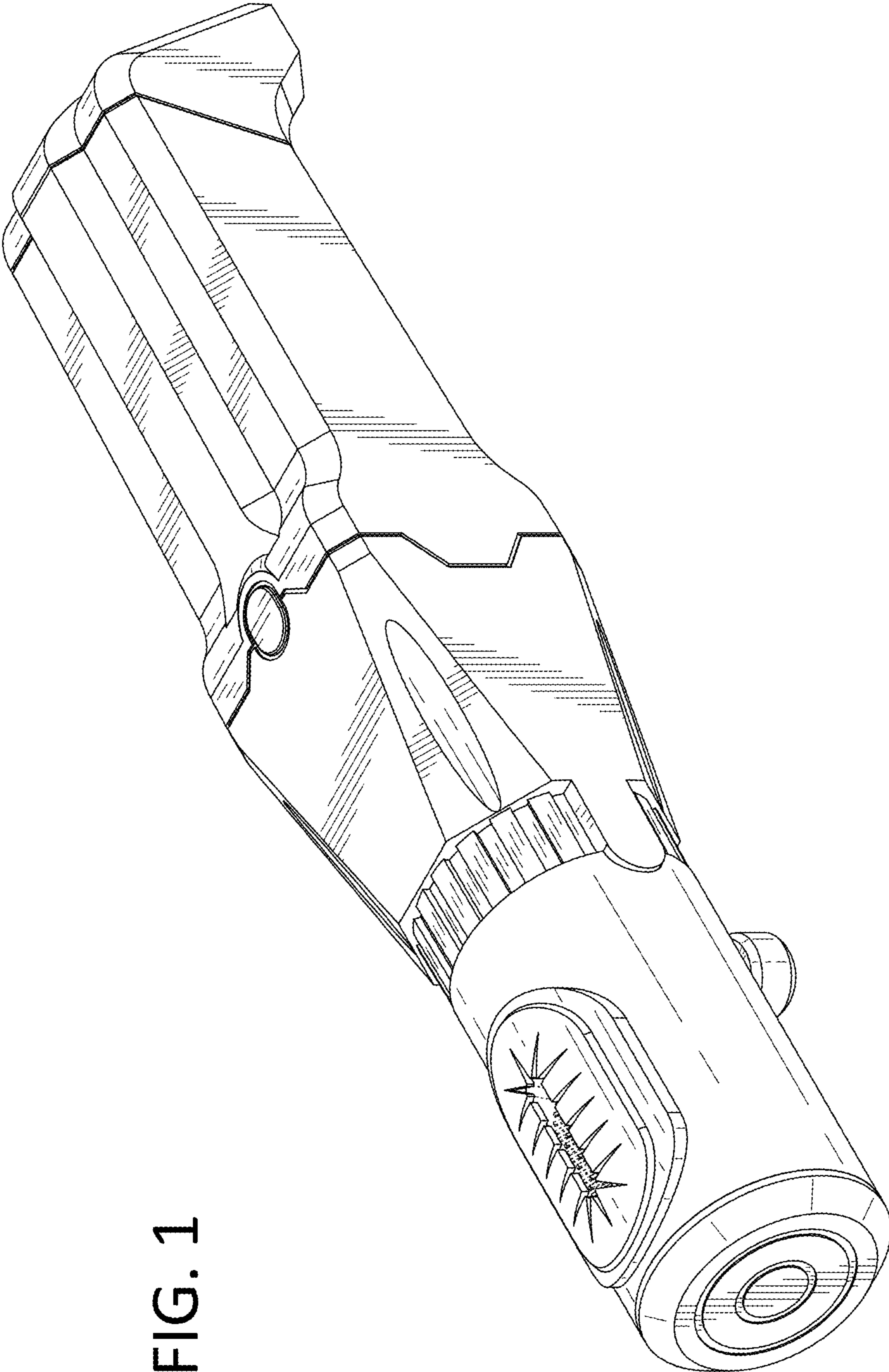
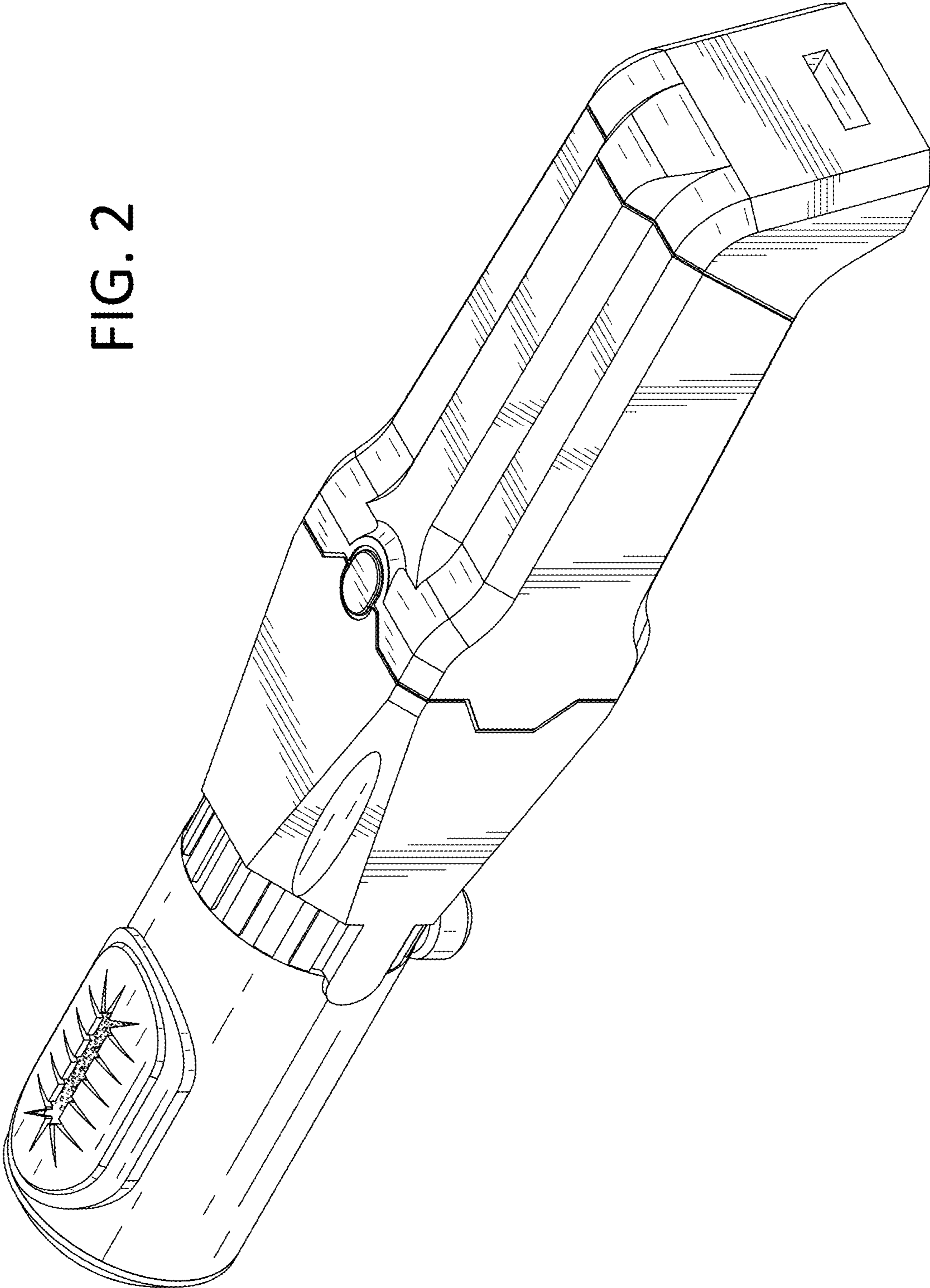


FIG. 1

FIG. 2



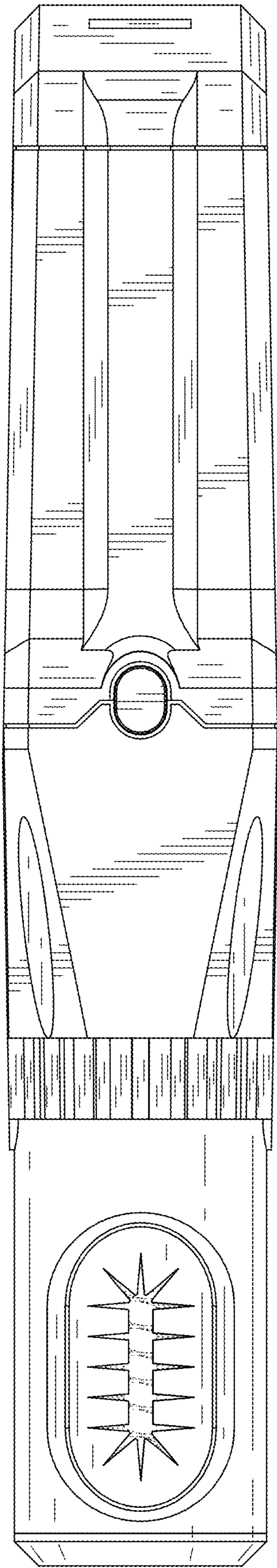


FIG. 3

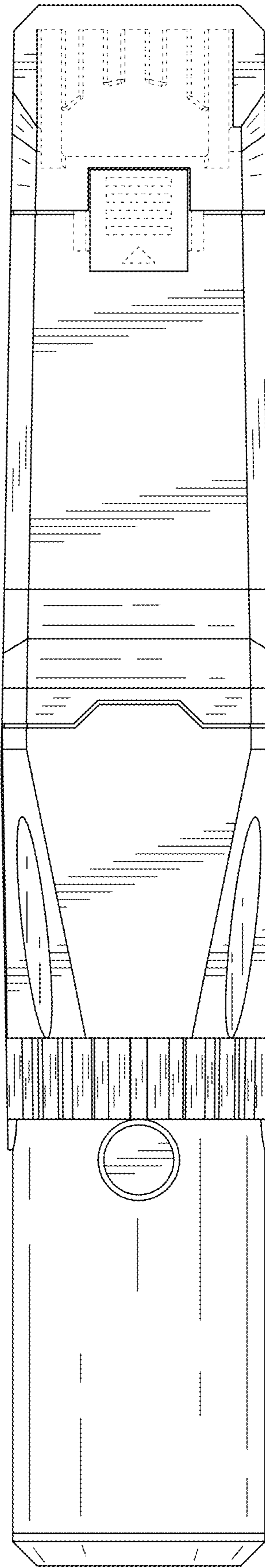


FIG. 4

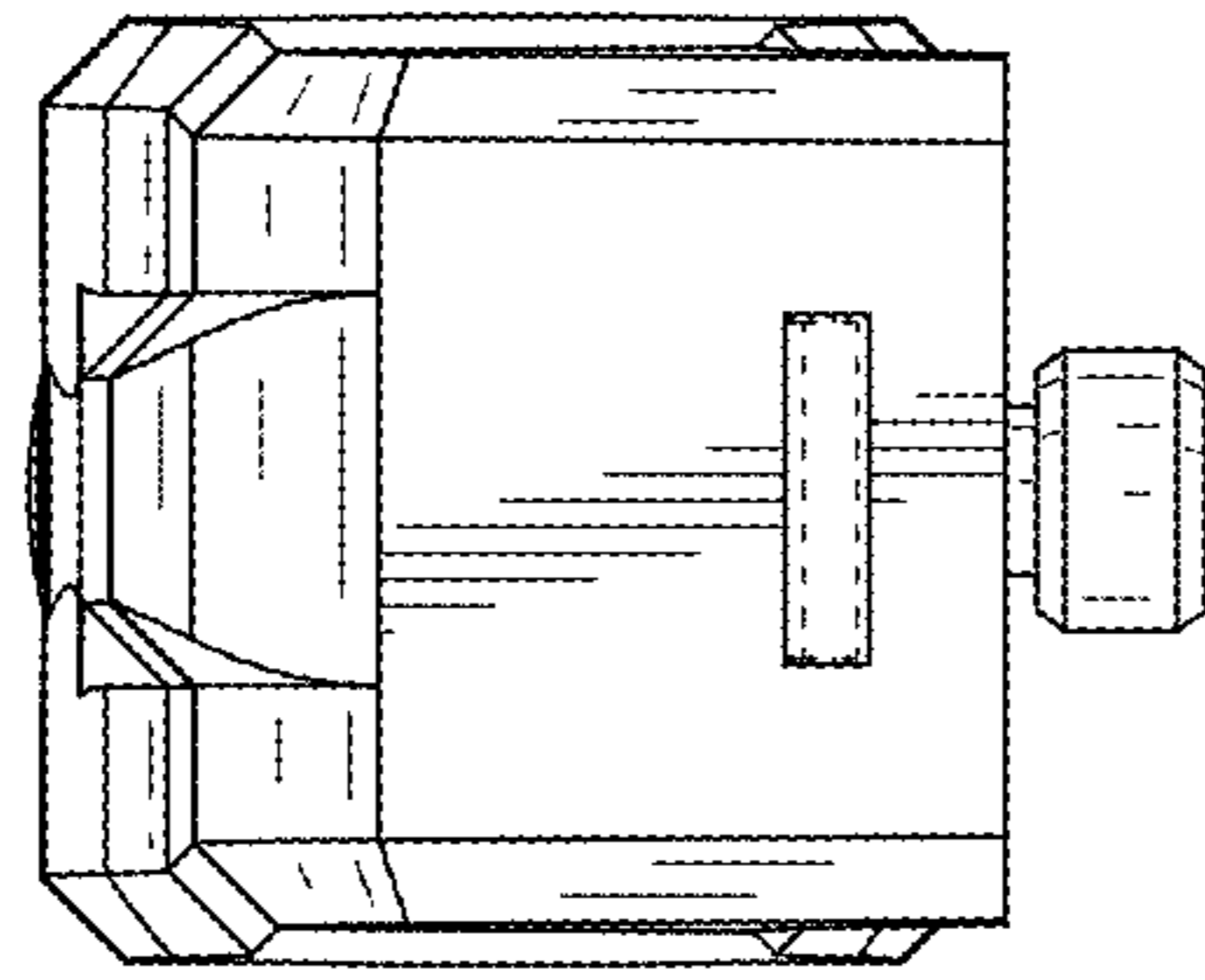


FIG. 6

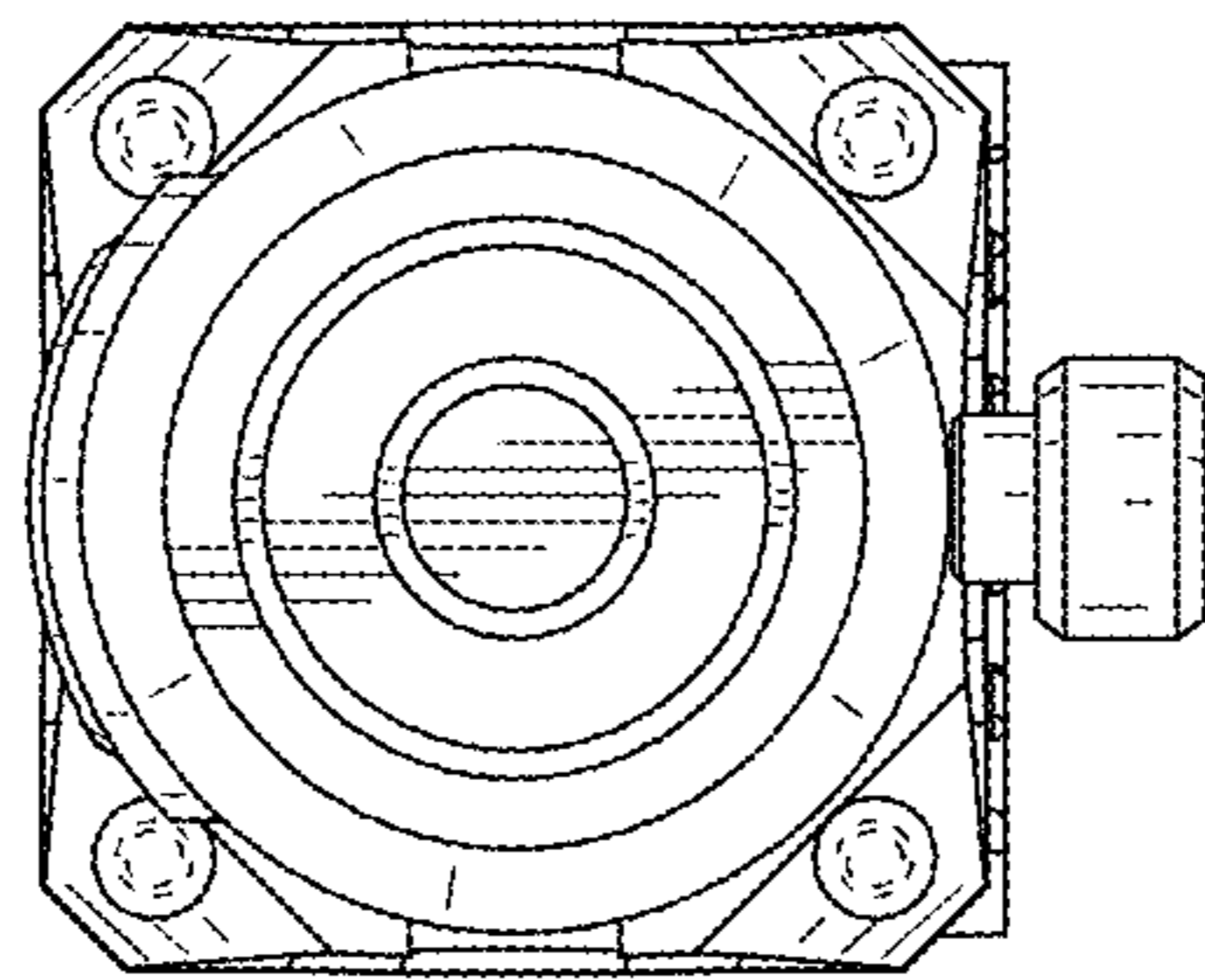


FIG. 5

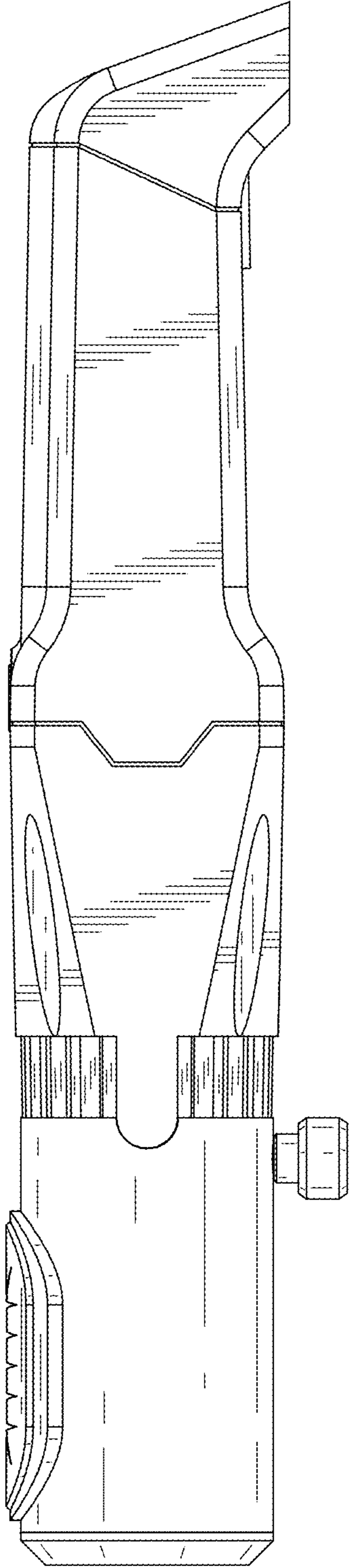


FIG. 7

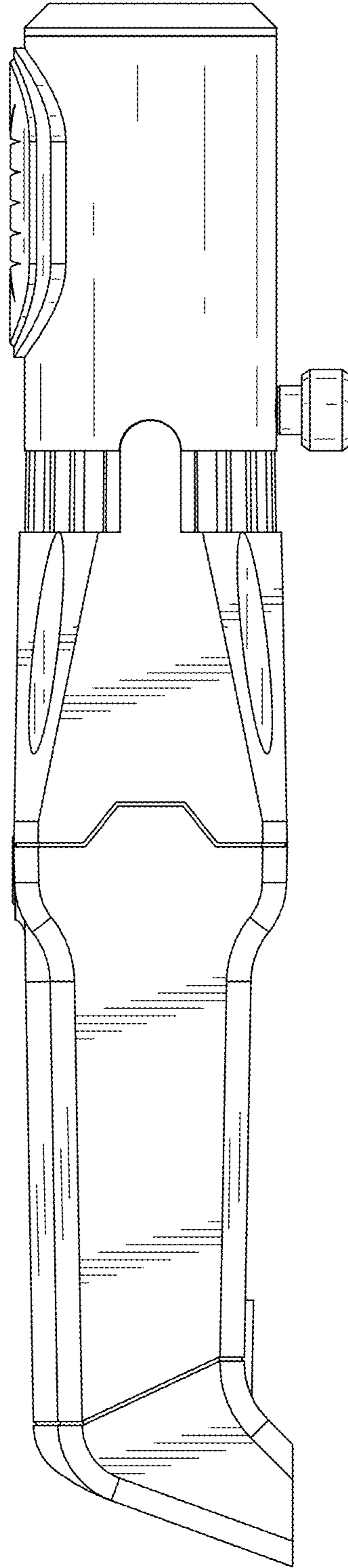


FIG. 8