



US00D945723S

(12) **United States Design Patent**
Mjelde

(10) **Patent No.:** **US D945,723 S**
(45) **Date of Patent:** **** Mar. 8, 2022**

- (54) **POOL CLEANER**
- (71) Applicant: **AquaStar Pool Products, Inc.**, Ventura, CA (US)
- (72) Inventor: **Olaf Mjelde**, Ventura, CA (US)
- (73) Assignee: **AQUASTAR POOL PRODUCTS, INC.**, Ventura, CA (US)
- (**) Term: **15 Years**
- (21) Appl. No.: **29/741,098**
- (22) Filed: **Jul. 9, 2020**
- (51) **LOC (13) Cl.** **15-05**
- (52) **U.S. Cl.**
USPC **D32/21**
- (58) **Field of Classification Search**
USPC D32/17, 18, 21, 22, 23, 24, 31, 32, 33, D32/34
CPC A47L 11/20; A47L 11/34; A47L 11/40; A47L 11/4016; A47L 5/24; A47L 5/28; A47L 7/02; E04H 4/16
See application file for complete search history.

D654,232 S * 2/2012 Mjelde D32/21
 8,141,191 B2 * 3/2012 Hui E04H 4/1654
 15/1.7
 8,341,789 B2 * 1/2013 Garti E04H 4/1654
 15/1.7

(Continued)

OTHER PUBLICATIONS

AquaRover Automatic Pool Cleaner (on-line), dated Sep. 26, 2020. Retrieved from Internet Oct. 21, 2021, URL: <https://web.archive.org/web/20200926140425/https://www.aquastarpoolproducts.com/StarzTruck/C> (1 page) (Year: 2020).*

(Continued)

Primary Examiner — Kimberly Barnes

(74) *Attorney, Agent, or Firm* — Cislo & Thomas, LLP

(57) **CLAIM**

The ornamental design for a pool cleaner, as shown and described.

DESCRIPTION

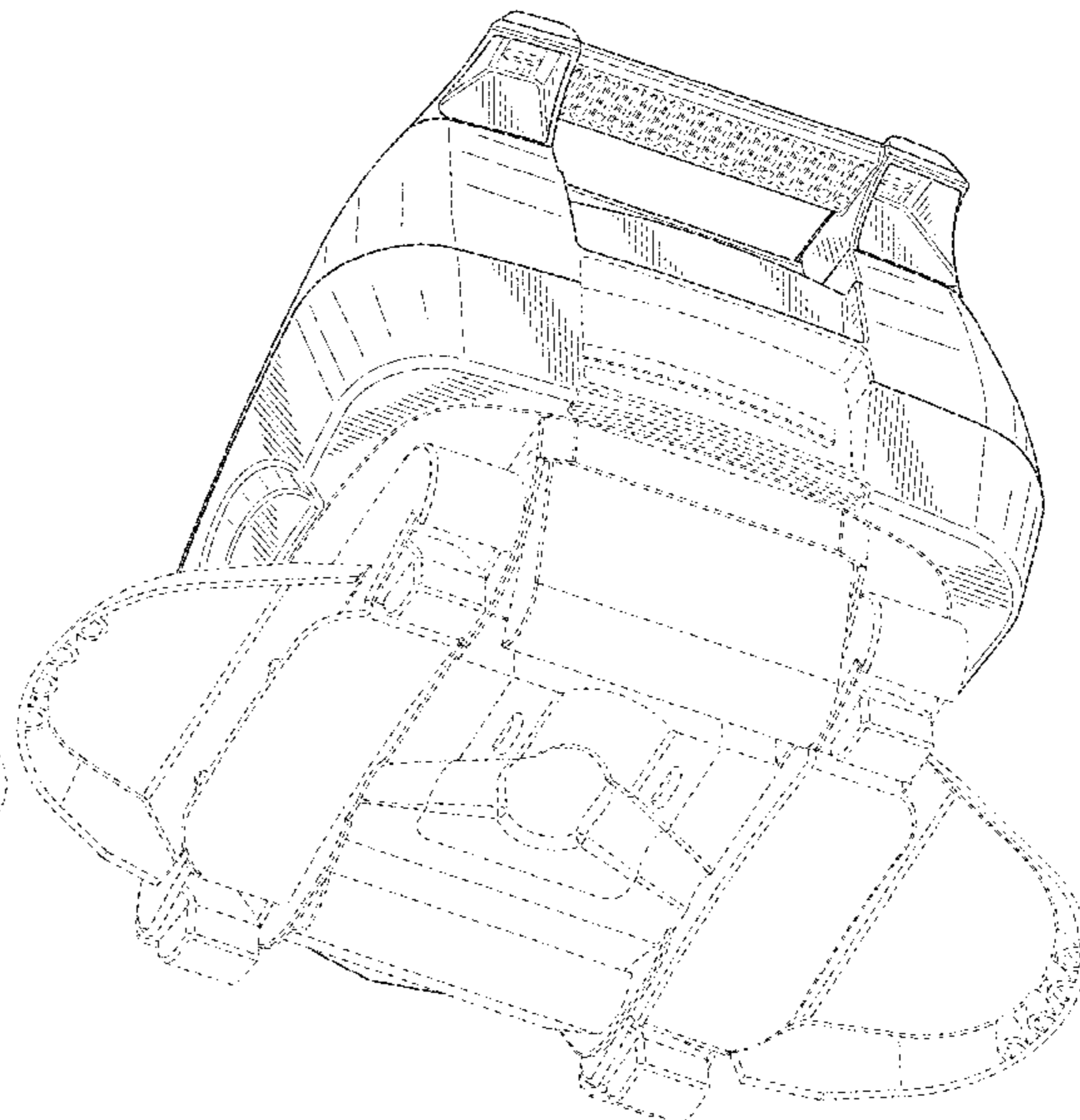
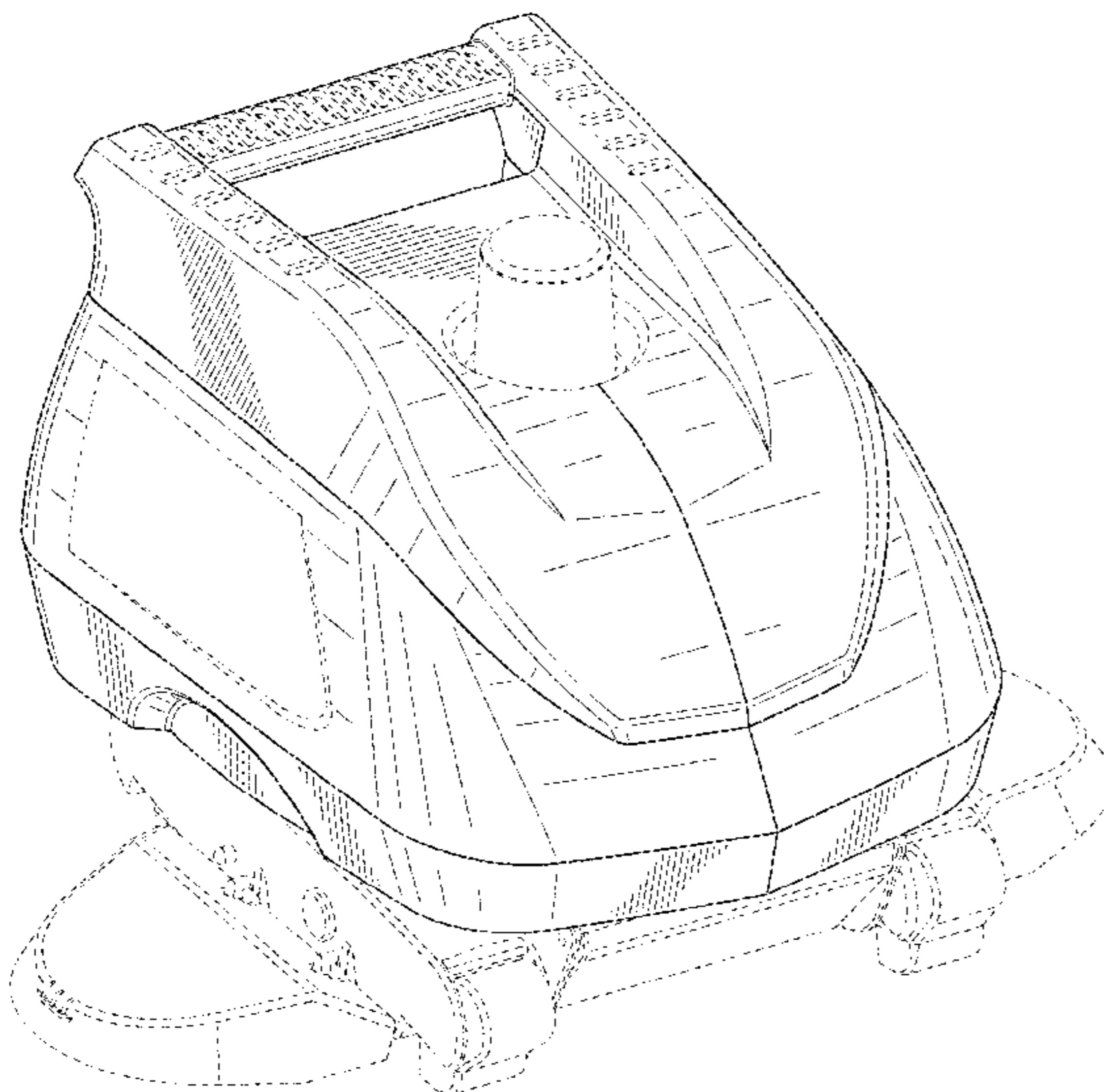
FIG. 1 is a perspective view of a pool cleaner showing my new design;
 FIG. 2 is a bottom perspective view of the pool cleaner of FIG. 1;
 FIG. 3 is front elevation view of the pool cleaner of FIG. 1;
 FIG. 4 is a rear elevation view of the pool cleaner of FIG. 1;
 FIG. 5 is a right side elevation view of the pool cleaner of FIG. 1;
 FIG. 6 is a left side elevation view of the pool cleaner of FIG. 1;
 FIG. 7 is a top plan view of the pool cleaner of FIG. 1; and,
 FIG. 8 is a bottom plan view of the pool cleaner of FIG. 1.
 The broken lines shown in the drawings illustrate portions of the pool cleaner that form no part of the claimed design.

1 Claim, 6 Drawing Sheets

(56) **References Cited**

U.S. PATENT DOCUMENTS

4,275,474	A	6/1981	Woodard	
5,172,445	A	12/1992	Chandler	
5,285,547	A	2/1994	Sebor	
5,351,709	A	10/1994	Vos	
5,904,171	A	5/1999	Stahle et al.	
6,112,354	A	9/2000	Stoltz et al.	
6,314,983	B1	11/2001	Hatch	
7,284,565	B2	10/2007	Sebor	
D598,168	S *	8/2009	Sumonthee	D32/21
D630,808	S *	1/2011	Dye	D32/21
D630,809	S *	1/2011	Dye	D32/21
D652,185	S *	1/2012	Mu	D32/21



(56)

References Cited

U.S. PATENT DOCUMENTS

8,510,889 B2 * 8/2013 Hui E04H 4/1654
 15/1.7
 8,555,445 B2 * 10/2013 Fu E04H 4/1654
 15/1.7
 8,561,240 B2 * 10/2013 Hui E04H 4/1654
 15/1.7
 8,595,880 B2 * 12/2013 Pichon E04H 4/1654
 15/1.7
 8,771,504 B2 * 7/2014 Mastio E04H 4/16
 210/167.15
 D721,460 S * 1/2015 Hanan D32/21
 9,051,750 B2 * 6/2015 Erlich E04H 4/1654
 9,127,472 B2 9/2015 Borg et al.
 9,290,958 B2 * 3/2016 Lopez E04H 4/16
 10,107,000 B2 * 10/2018 Barcelos G05D 1/0242
 D848,094 S * 5/2019 Hui D32/21
 10,294,686 B1 * 5/2019 Erlich C02F 1/001
 D855,267 S * 7/2019 Desagre D32/17
 D876,733 S * 2/2020 Hui D32/21
 11,124,983 B2 * 9/2021 Sebor E04H 4/16
 11,149,458 B1 * 10/2021 Mjelde E04H 4/1654
 2004/0040581 A1 3/2004 Bruwer
 2007/0028405 A1 * 2/2007 Garti E04H 4/1654
 15/1.7
 2013/0152970 A1 * 6/2013 Porat E04H 4/1654
 134/18

OTHER PUBLICATIONS

Hayward Blu In-ground Swimming Pool Cleaner Repair (on-line),
 dated Jan. 4, 2019. Retrieved from Internet Oct. 21, 2021, URL:
<https://www.youtube.com/watch?v=ALFse5f6Ptl> (1 page) (Year: 2019).*

* cited by examiner

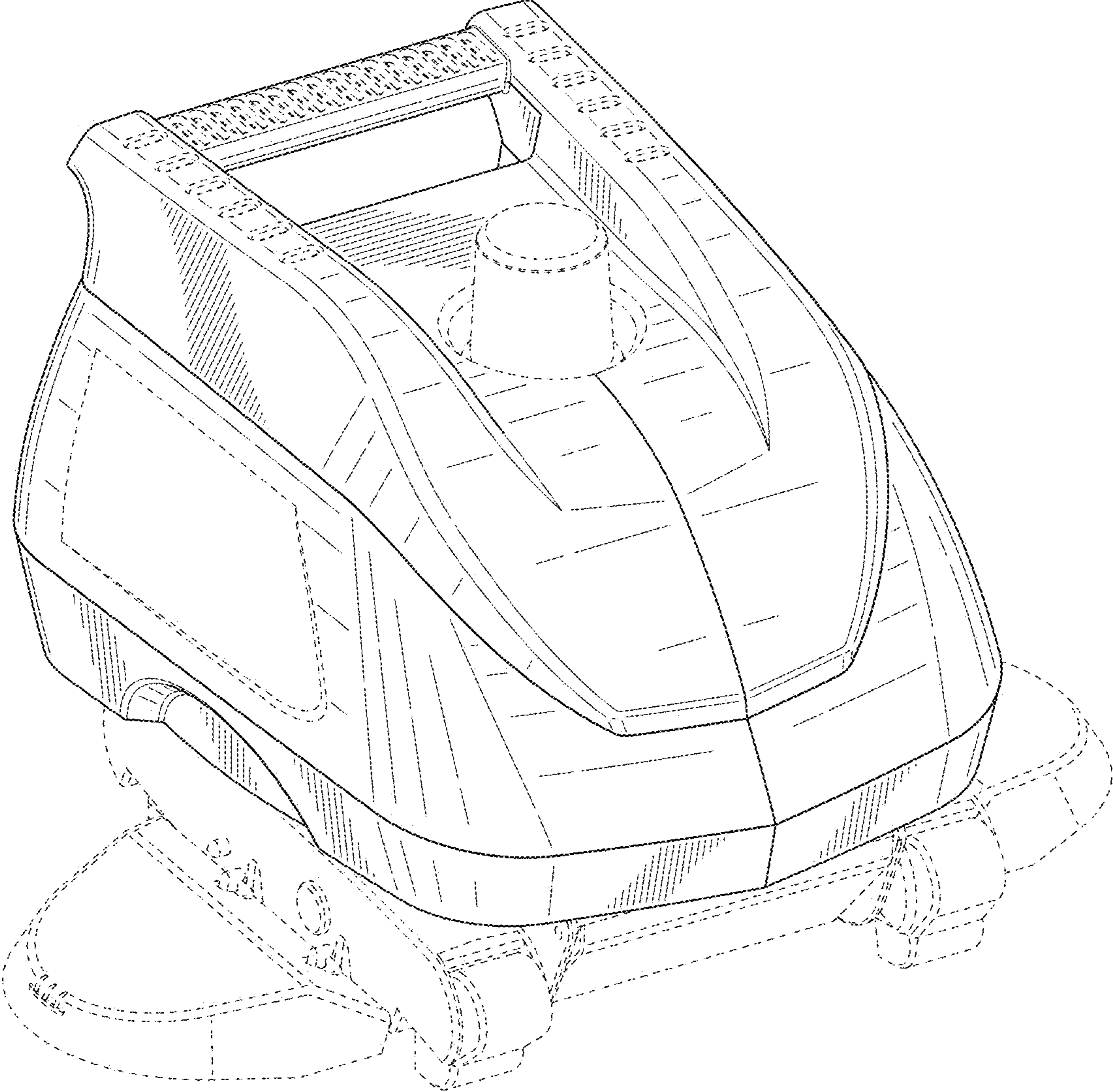


FIG. 1

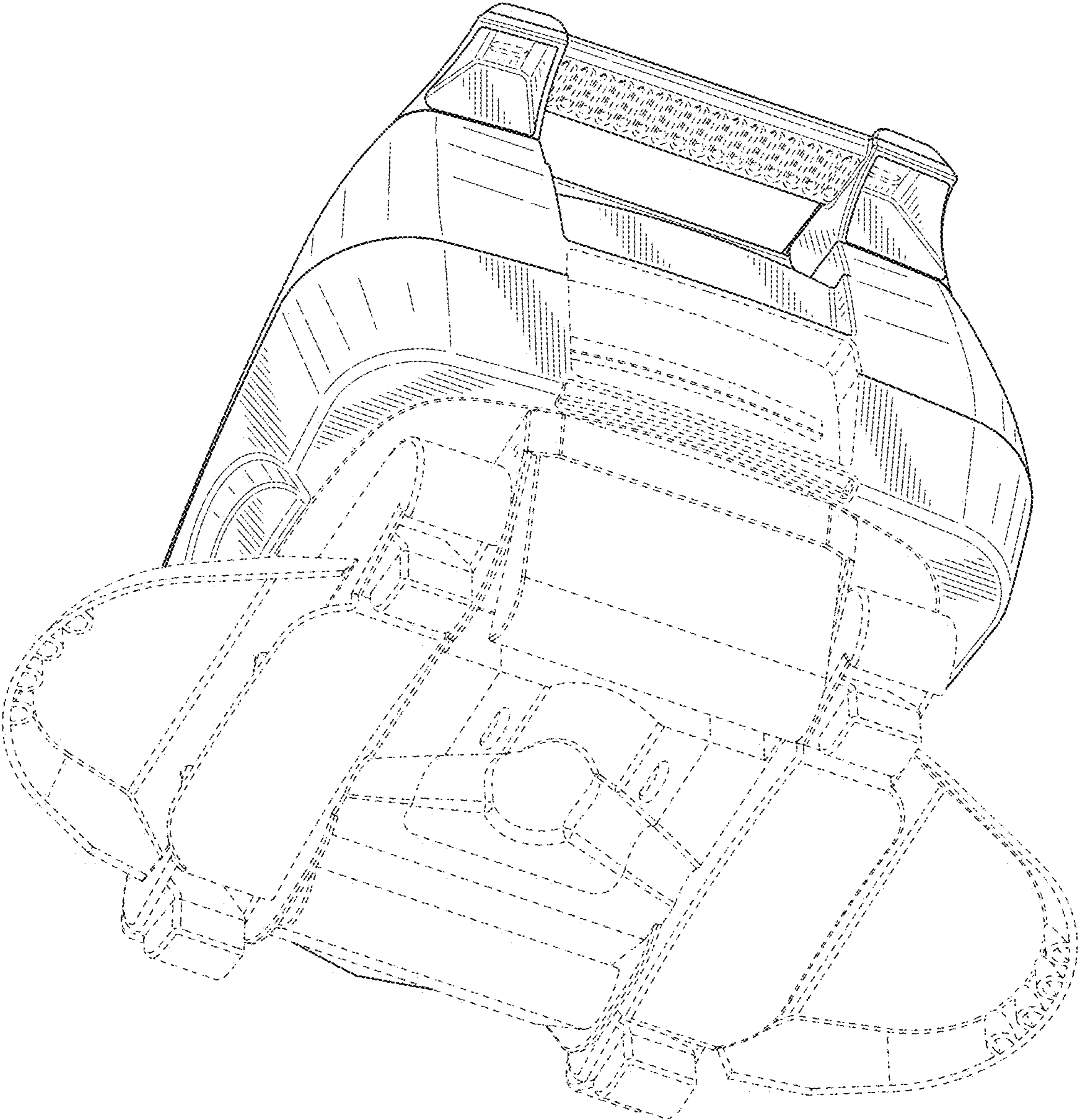
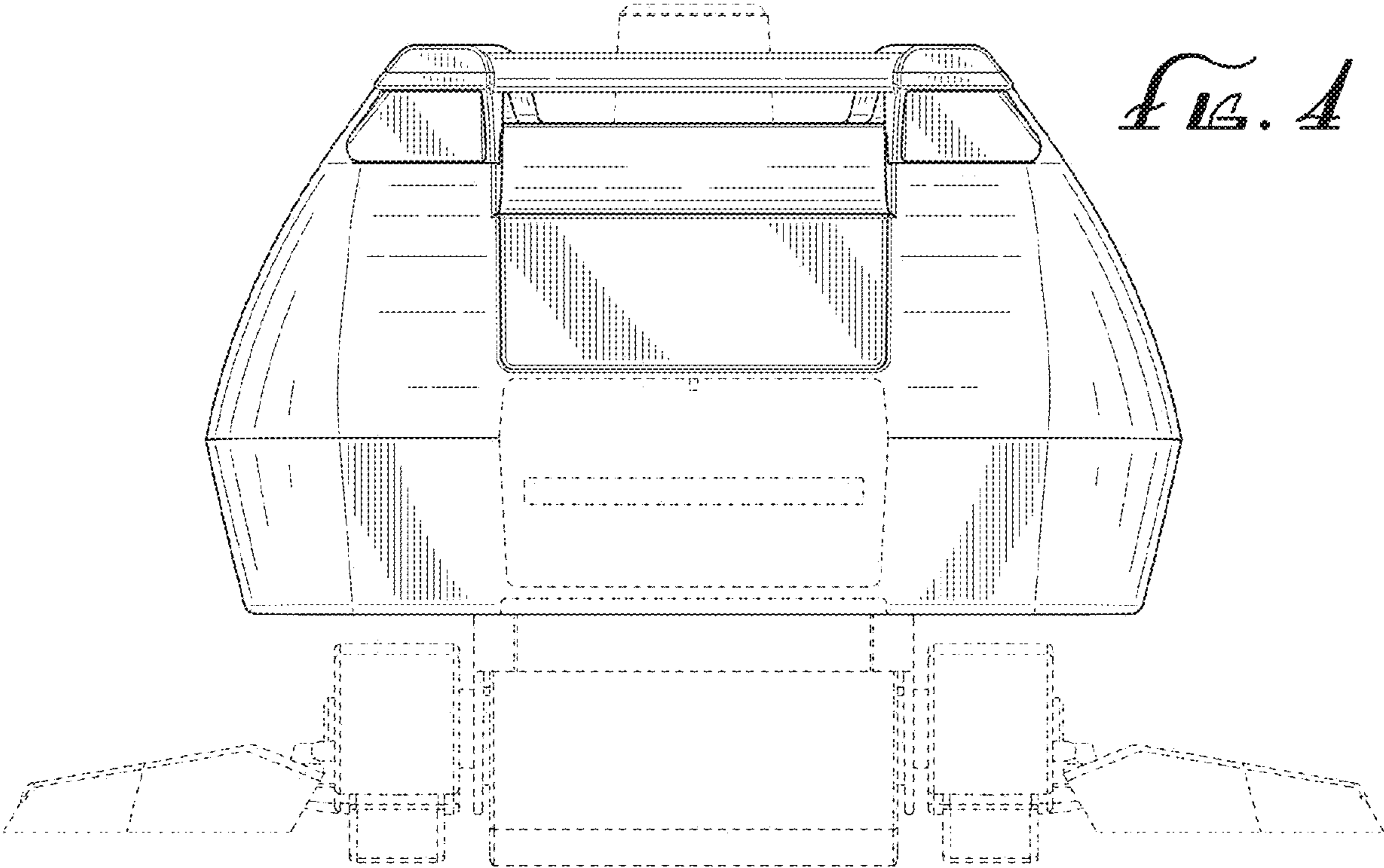
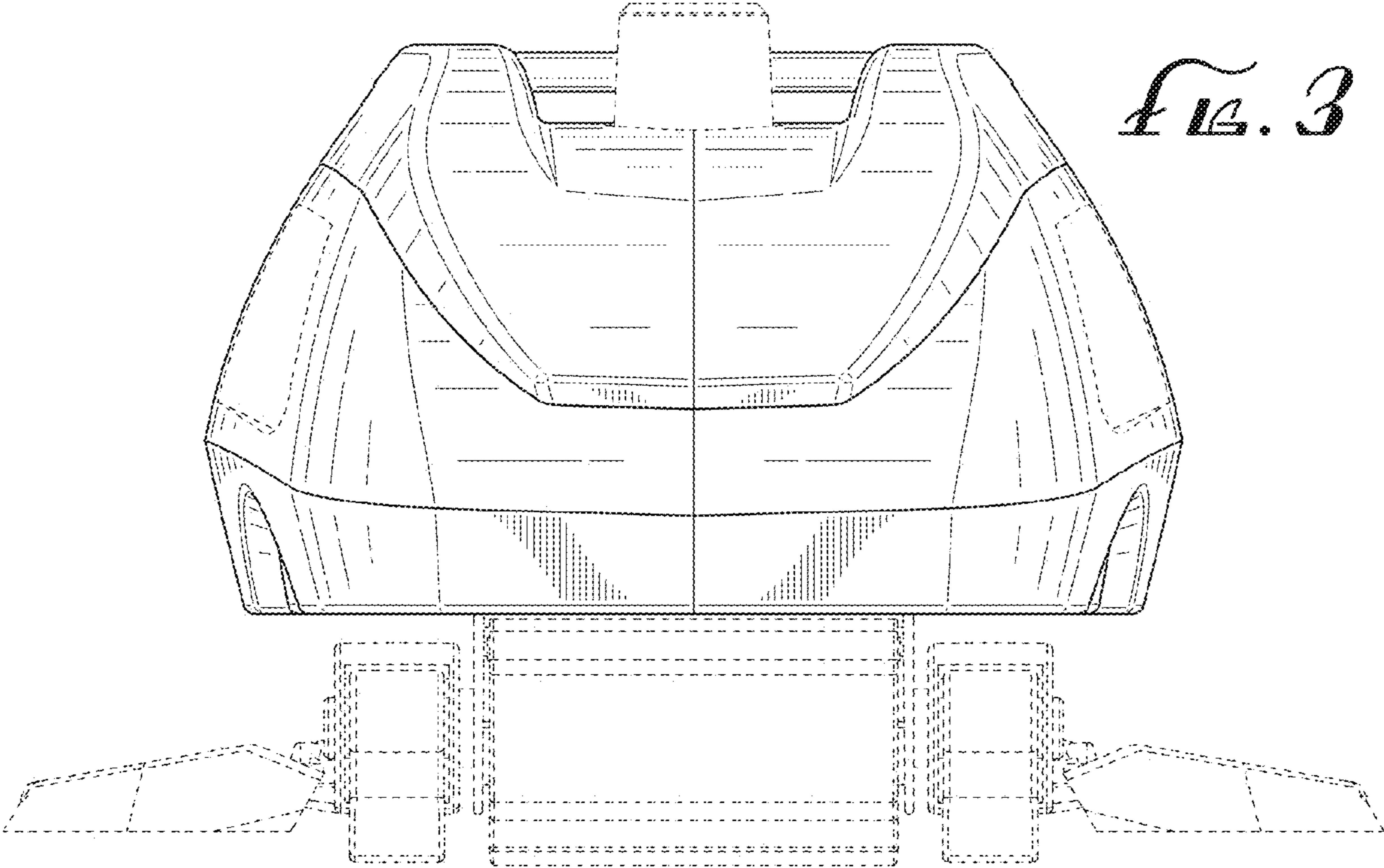


FIG. 2



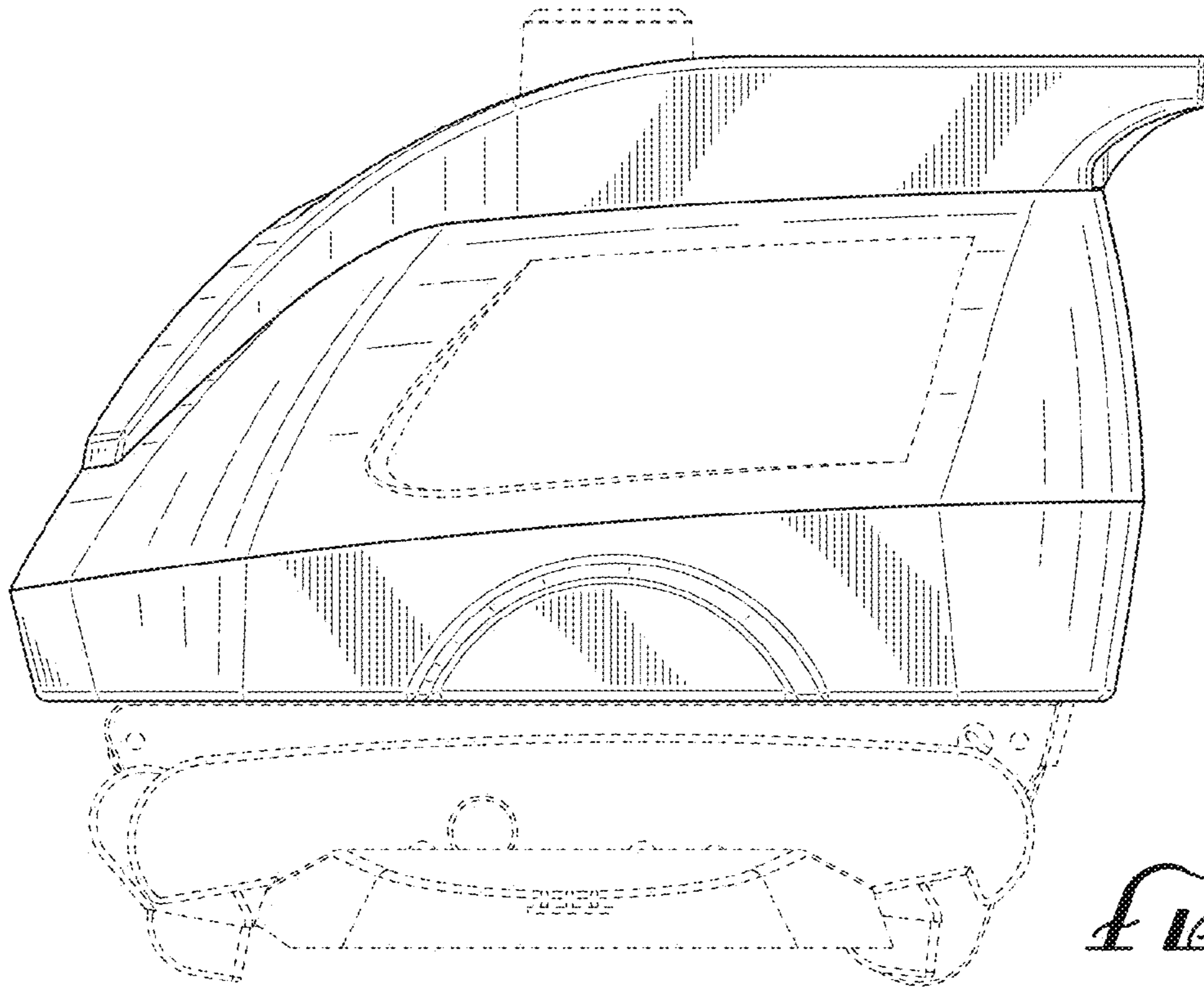


FIG. 5

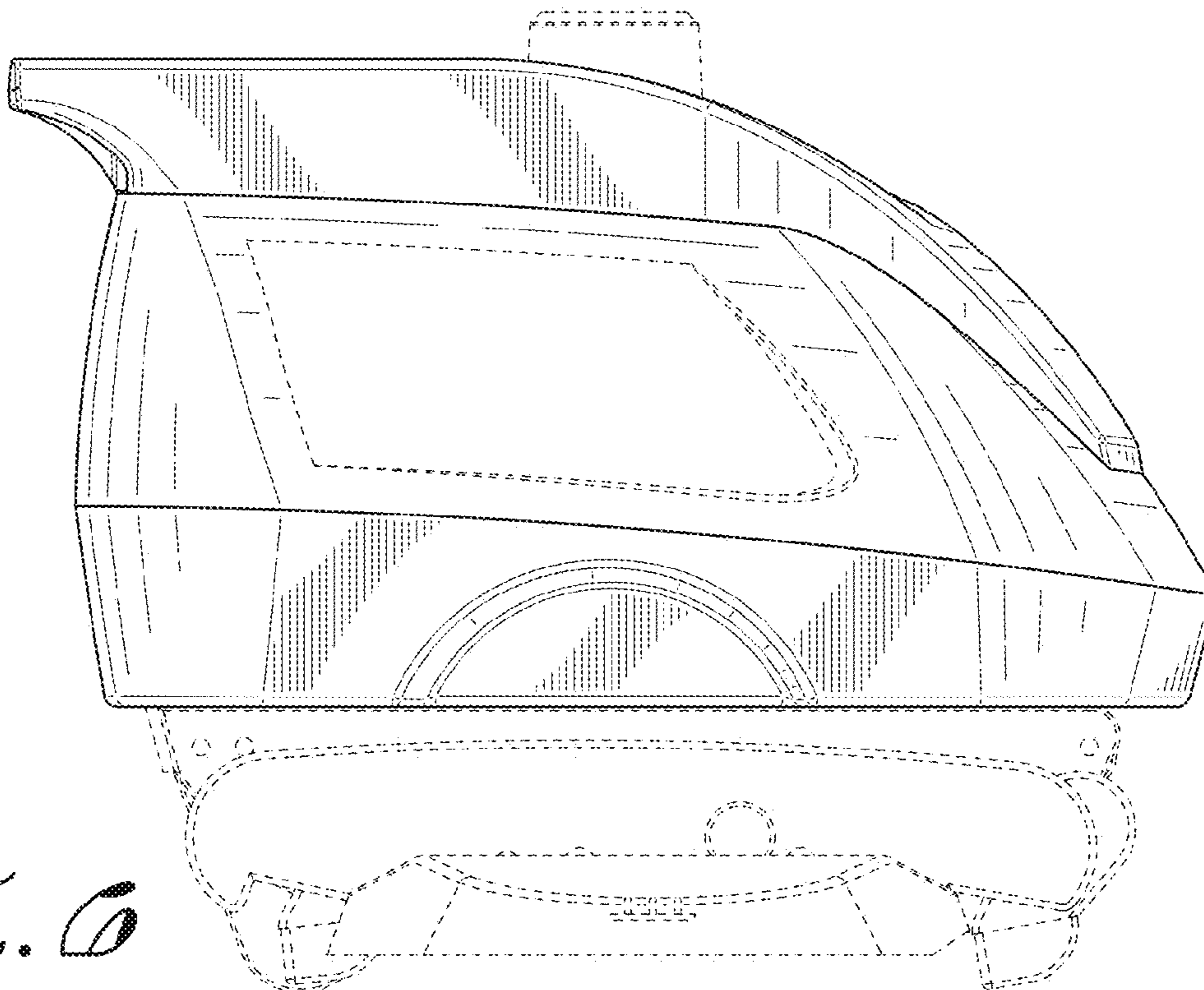


FIG. 6

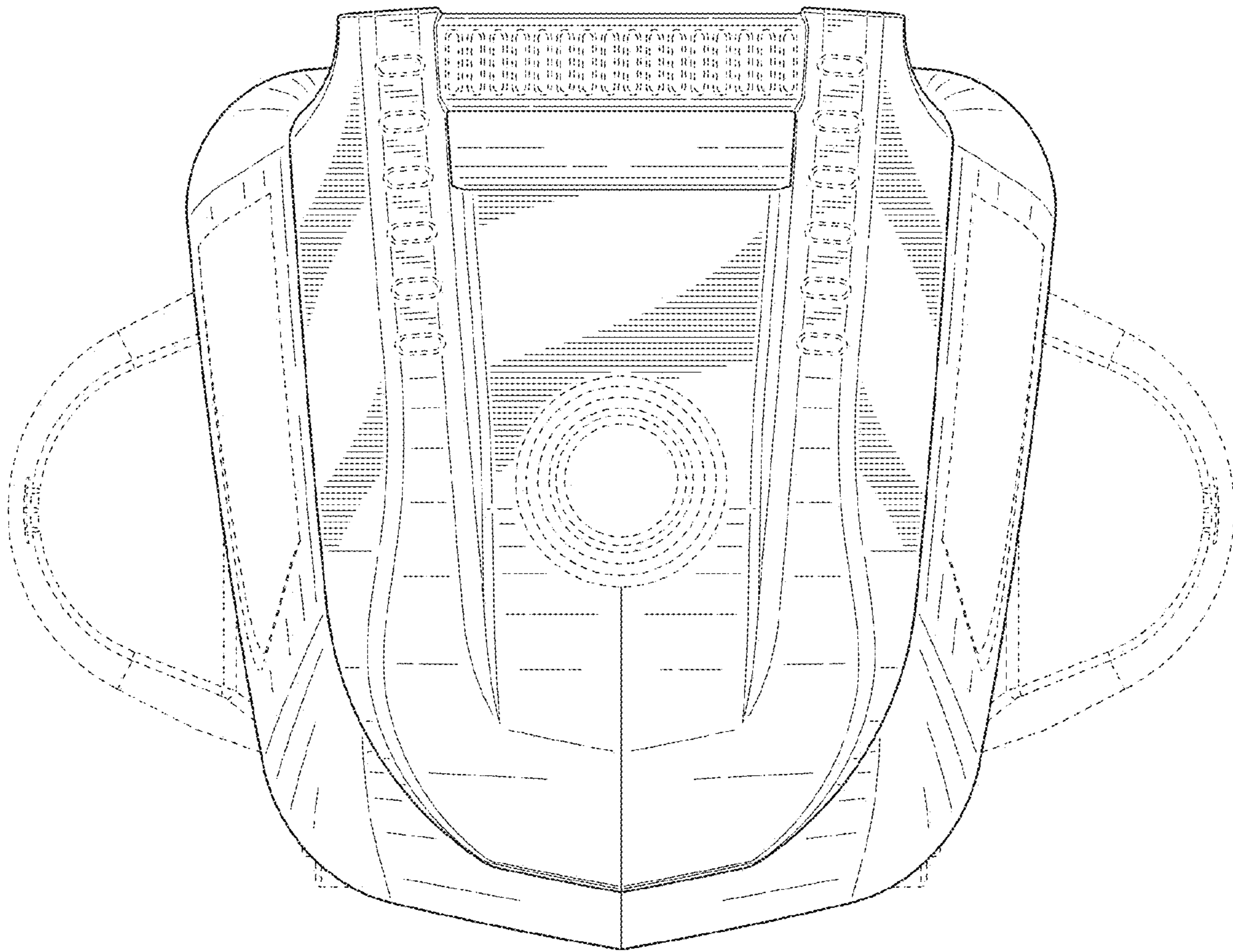


FIG. 7

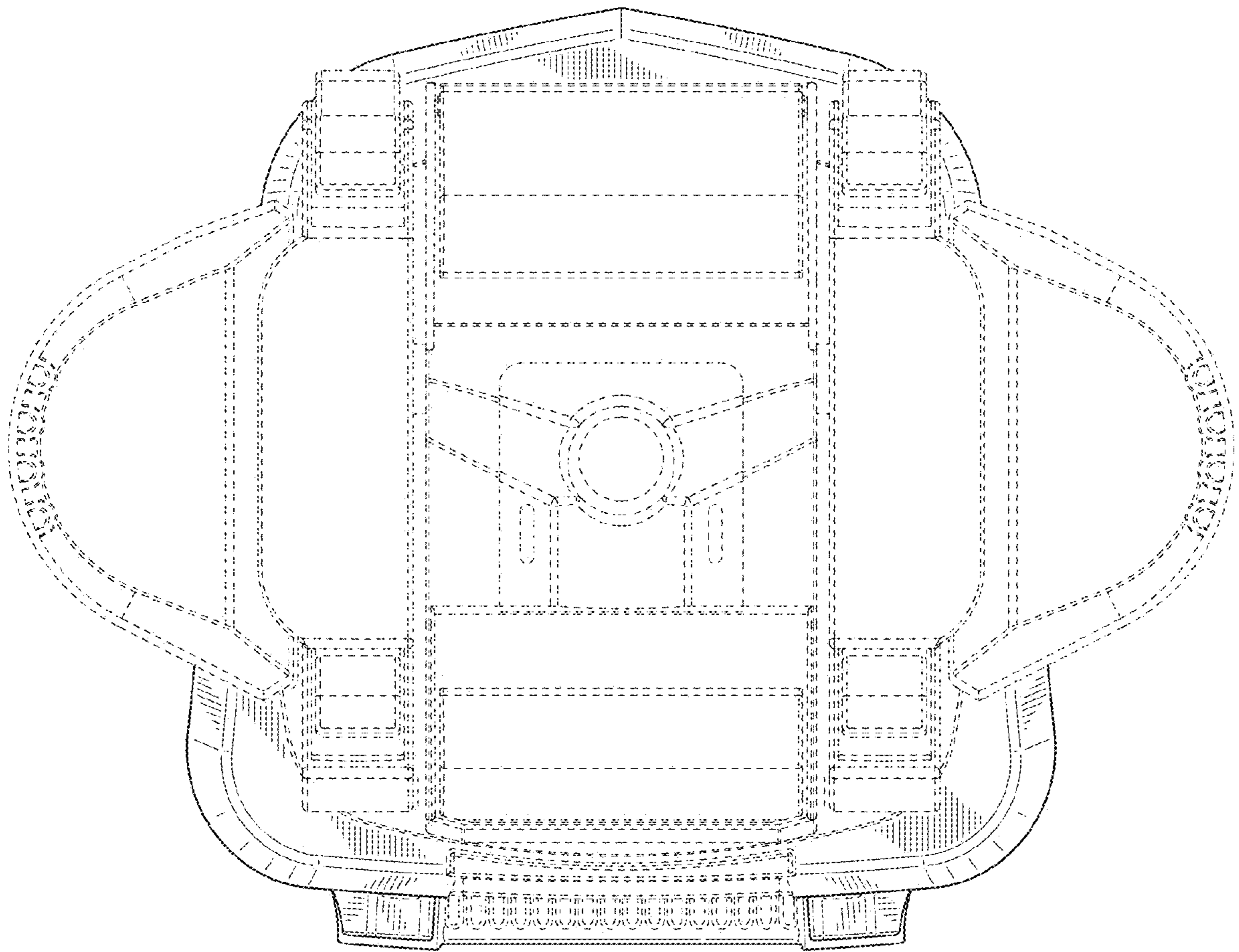


FIG. 8