



US00D945722S

(12) **United States Design Patent**  
**Tinius**

(10) **Patent No.:** **US D945,722 S**

(45) **Date of Patent:** **\*\* Mar. 8, 2022**

(54) **ROTATING WASH BRUSH**

(71) Applicant: **Andreas Stihl AG & Co. KG,**  
Waiblingen (DE)

(72) Inventor: **Michael Tinius,** Ulm (DE)

(73) Assignee: **Andreas Stihl AG & CO. KG,**  
Waiblingen (DE)

(\*\*) Term: **15 Years**

(21) Appl. No.: **29/690,049**

(22) Filed: **May 3, 2019**

(30) **Foreign Application Priority Data**

Nov. 8, 2018 (EM) ..... 005820800

(51) **LOC (13) Cl.** ..... **15-05**

(52) **U.S. Cl.**  
USPC ..... **D32/19**

(58) **Field of Classification Search**  
USPC ..... D32/1-2, 5-6, 8-10, 15-17, 19, 25, 28,  
D32/33, 35-36, 53; D7/354; D24/217;  
D4/109, 114, 127, 134  
CPC .. A61L 2/10; A61C 19/00; A47J 27/00; F26B  
11/02; E05B 65/0007; A47L 15/0084;  
D06F 39/00; D06F 34/28  
See application file for complete search history.

(56) **References Cited**

**U.S. PATENT DOCUMENTS**

- 2,871,495 A \* 2/1959 Kazimierczak ..... A46B 13/008  
15/180
- D279,626 S \* 7/1985 McCloskey ..... D32/19
- D280,661 S \* 9/1985 Hill ..... D23/383
- D370,124 S \* 5/1996 Chamieh ..... D4/115
- D383,611 S \* 9/1997 Tsai ..... D4/114
- D392,778 S \* 3/1998 McCracken ..... D32/19
- D398,156 S \* 9/1998 Jovaag ..... D4/124

- D451,288 S \* 12/2001 Bean ..... D4/121
- D487,826 S \* 3/2004 Supra ..... D32/25
- D498,028 S \* 11/2004 Alsrue ..... D32/25
- D515,819 S \* 2/2006 Gaiti ..... D4/115
- D522,247 S \* 6/2006 Moore ..... D4/124
- D529,244 S \* 9/2006 Main ..... D32/19
- D532,205 S \* 11/2006 Huller ..... D4/134
- D557,506 S \* 12/2007 Gaiti ..... D4/114
- D588,816 S \* 3/2009 Hughes, IV ..... D4/121
- D601,807 S \* 10/2009 Choi ..... D4/114
- D645,622 S \* 9/2011 Wright ..... D32/19

(Continued)

**OTHER PUBLICATIONS**

Rotary Washing Brush | Pressure Washers | Stihl USA, website reviews 2021, <https://www.stihlusa.com/products/accessories/pressure-washers/rotarywashingbrush/>, site visited Mar. 26, 2021.\*

(Continued)

*Primary Examiner* — John R Yeh

(74) *Attorney, Agent, or Firm* — McGuireWoods LLP

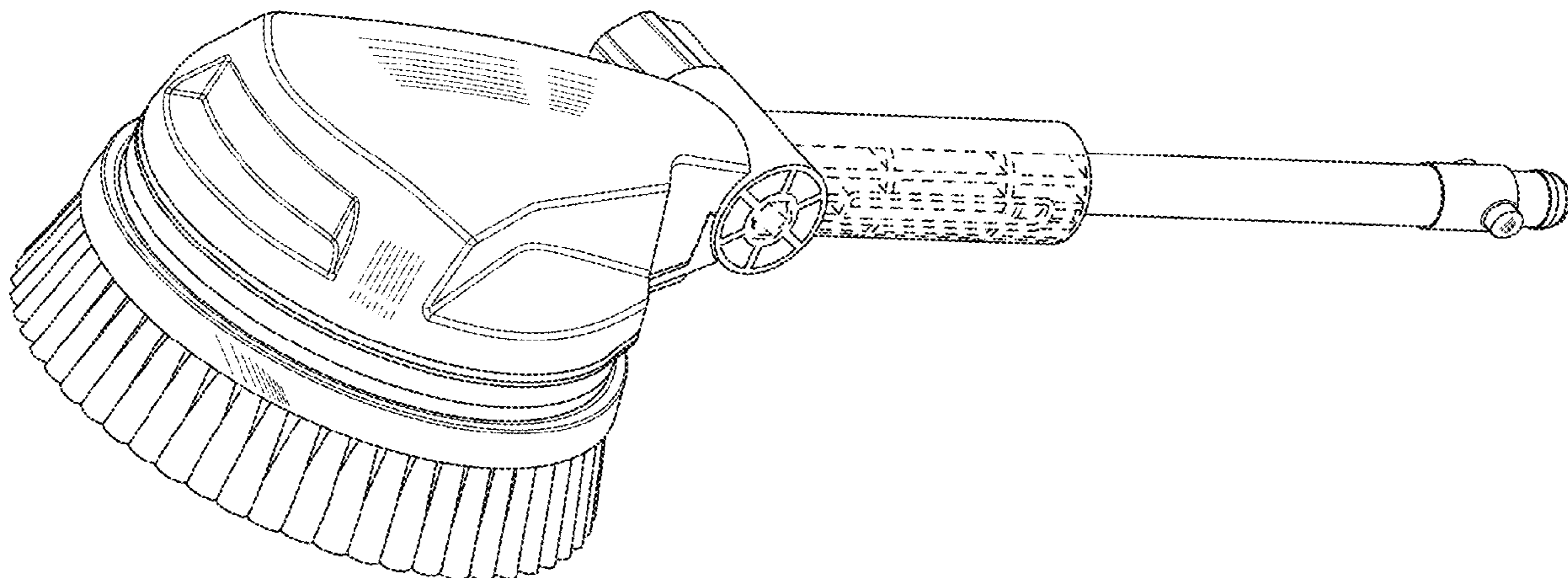
(57) **CLAIM**

I claim the ornamental design for a rotating wash brush, as shown and described.

**DESCRIPTION**

FIG. 1 is a top plan view of my design for a rotating wash brush;  
FIG. 2 is a rear elevation view thereof;  
FIG. 3 is a right, front perspective view thereof;  
FIG. 4 is a left, front perspective view thereof;  
FIG. 5 is a right, side elevation view thereof;  
FIG. 6 is a left, side elevation view thereof;  
FIG. 7 is a bottom plan view thereof; and,  
FIG. 8 is front elevation view thereof.  
The broken lines in the figures illustrate portions of the rotating wash brush that form no part of the claimed design.

**1 Claim, 8 Drawing Sheets**



(56)

**References Cited**

U.S. PATENT DOCUMENTS

D651,774 S *	1/2012	Tobias .....	D4/127
D764,725 S *	8/2016	Andreason .....	D32/19
D804,188 S *	12/2017	Du .....	D4/100
D808,600 S *	1/2018	Malatray .....	D32/17
D836,918 S *	1/2019	Exley .....	D4/127
D859,763 S *	9/2019	Brown .....	D32/19
D860,556 S *	9/2019	Brown .....	D32/19
D909,762 S *	2/2021	He .....	D4/127
D911,646 S *	2/2021	DeBeck .....	D32/45

OTHER PUBLICATIONS

Water Blast Cleaner Rotating Cleaning Brush, website 2021, <https://ops-prestashop-p1-2.com/en/household-cleaning/1825-water-blast-cleaner-rotating-...>site visited Mar. 26, 2021.\*

\* cited by examiner

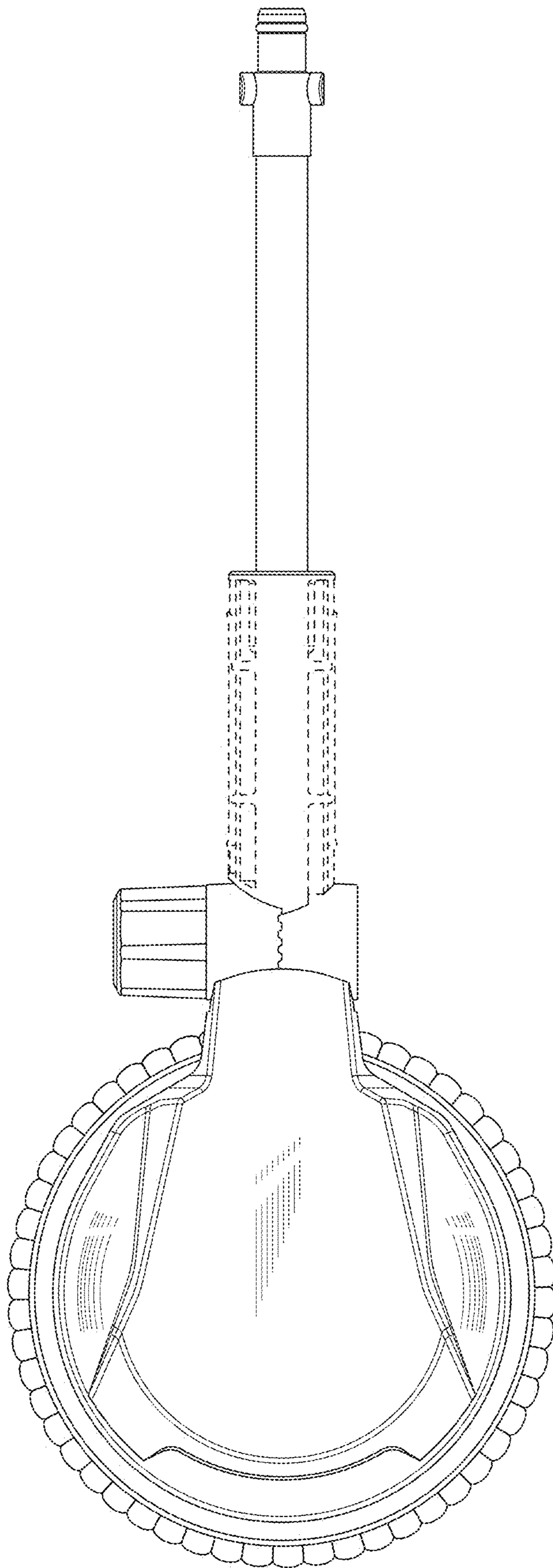


FIG. 1

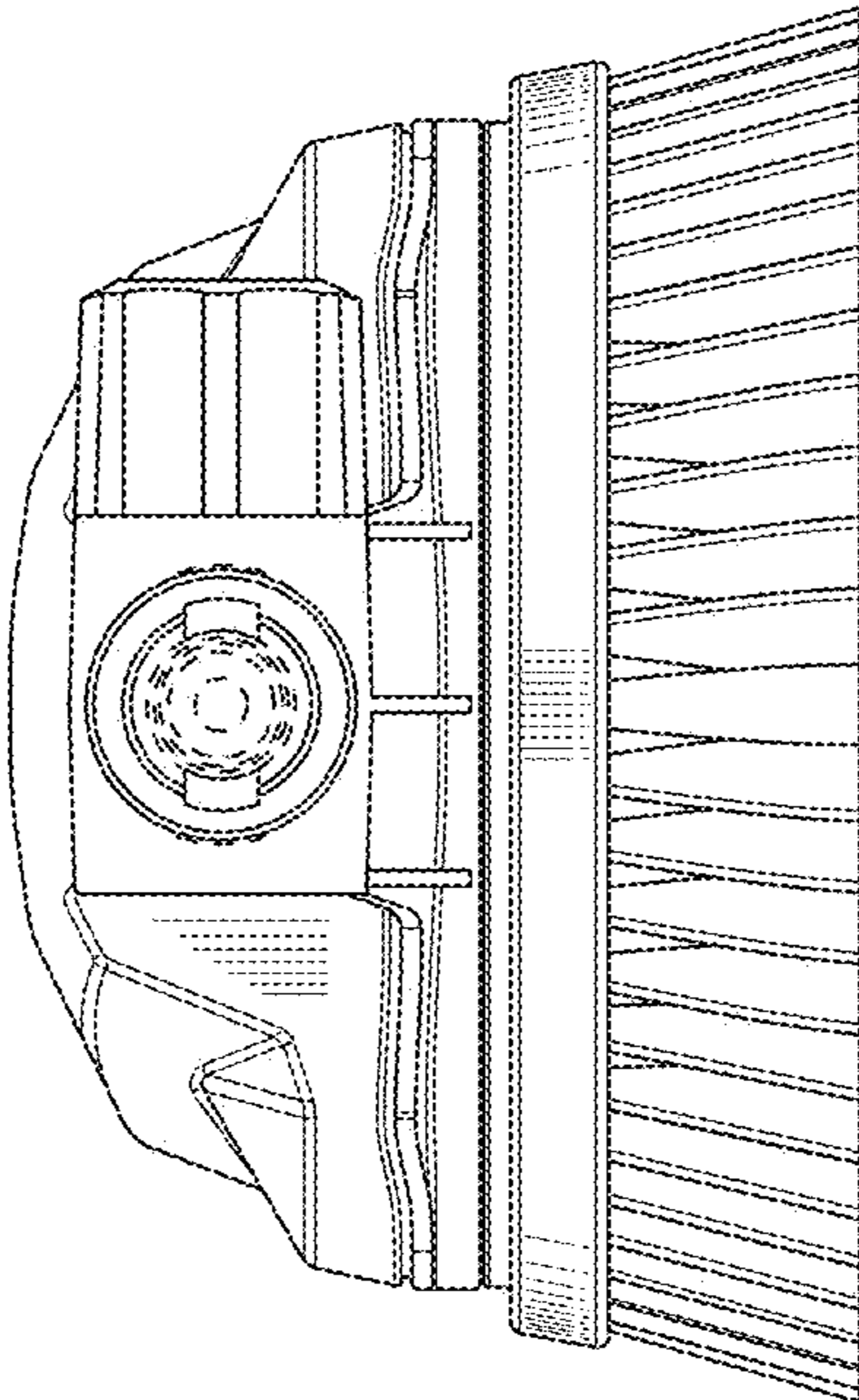


FIG. 2

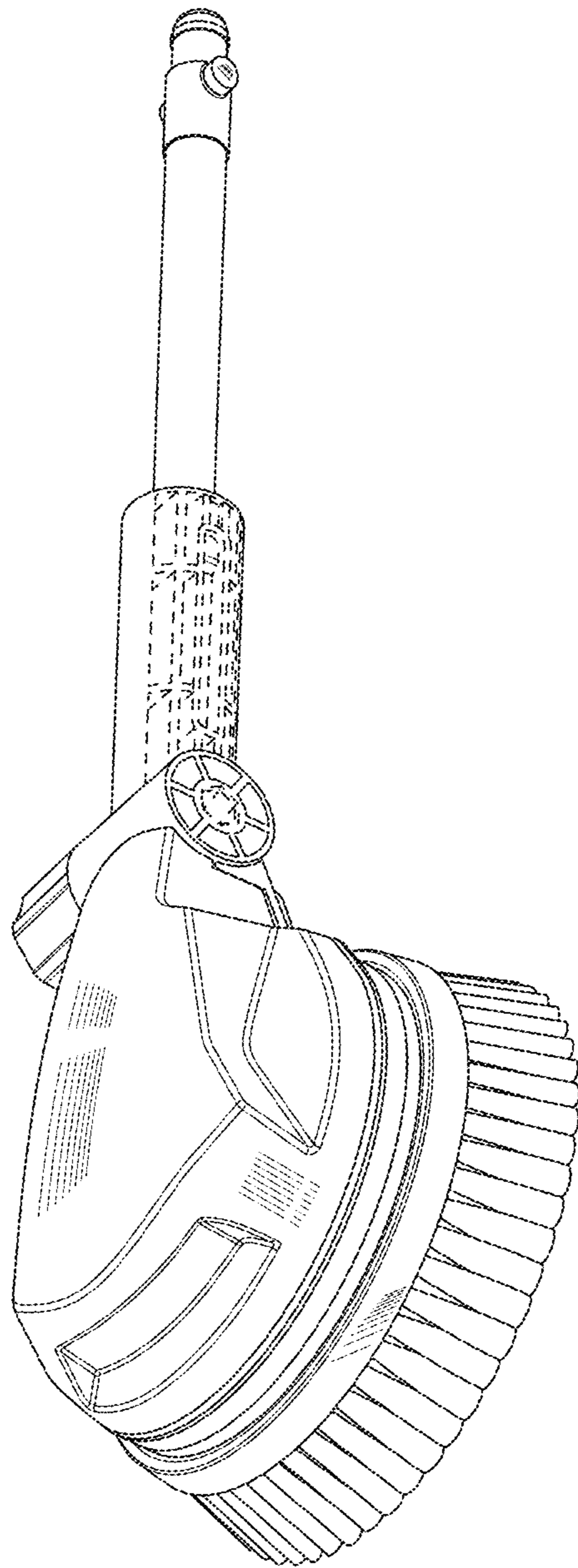


FIG. 3

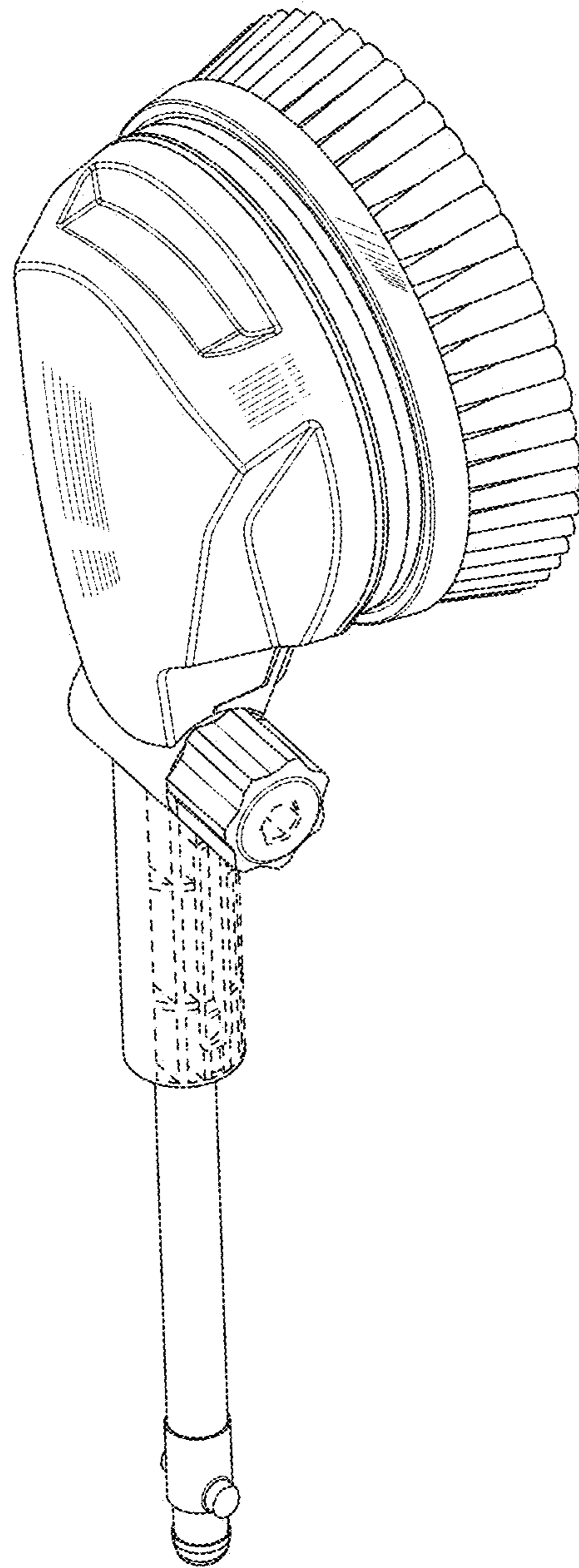


FIG. 4

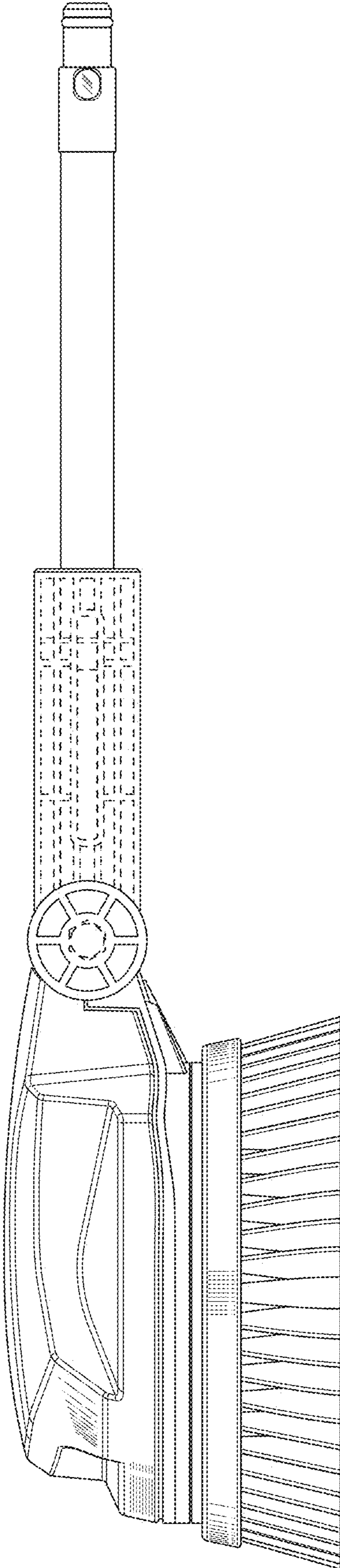


FIG. 5

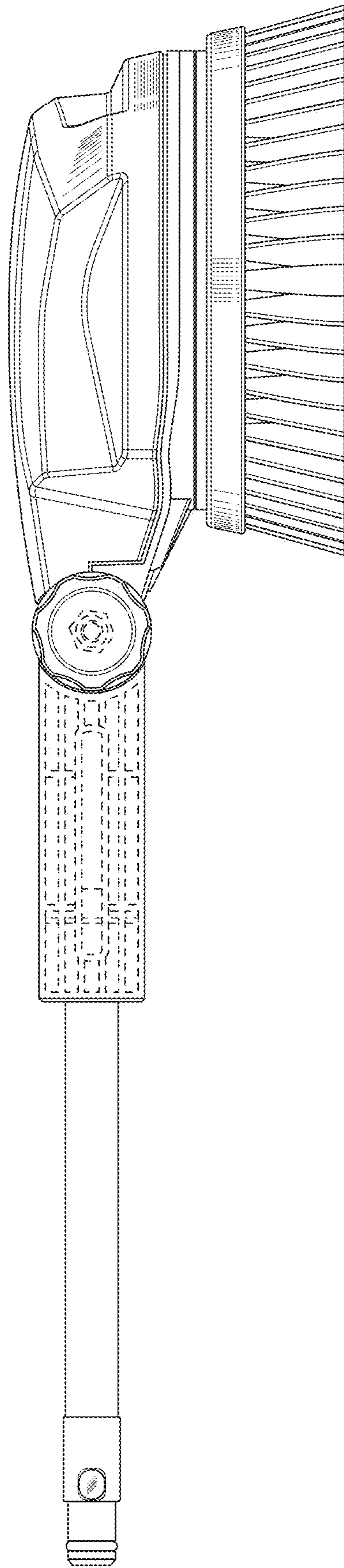


FIG. 6



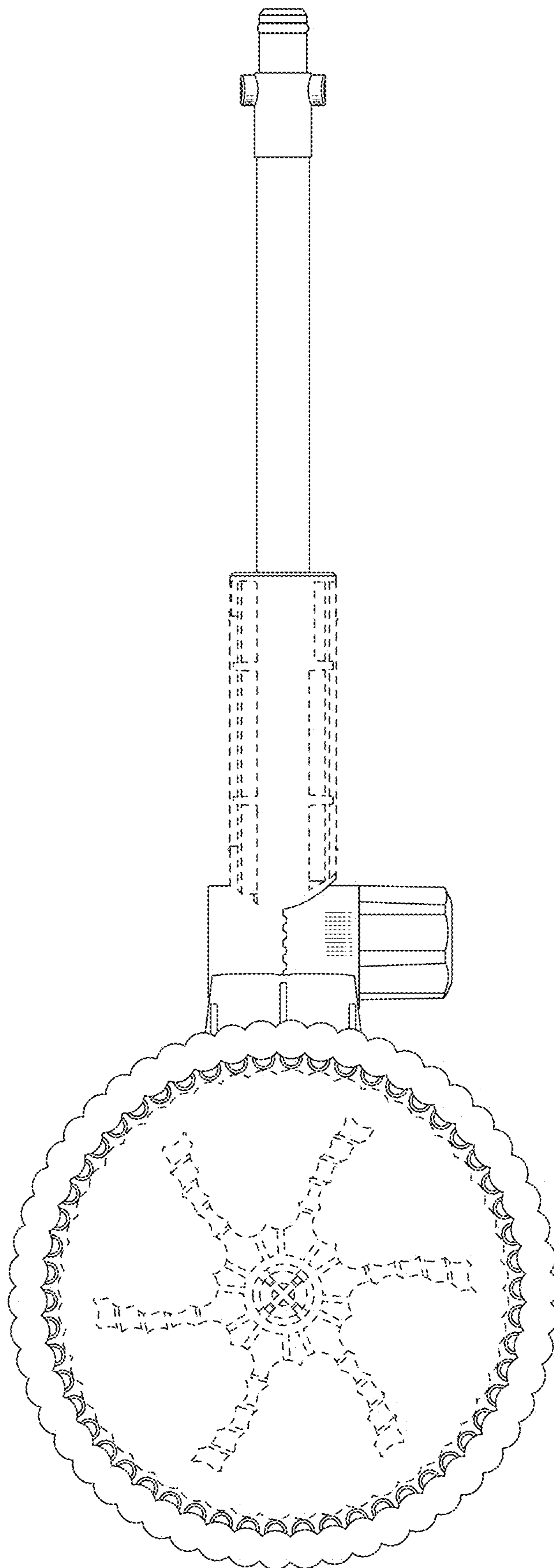


FIG. 7

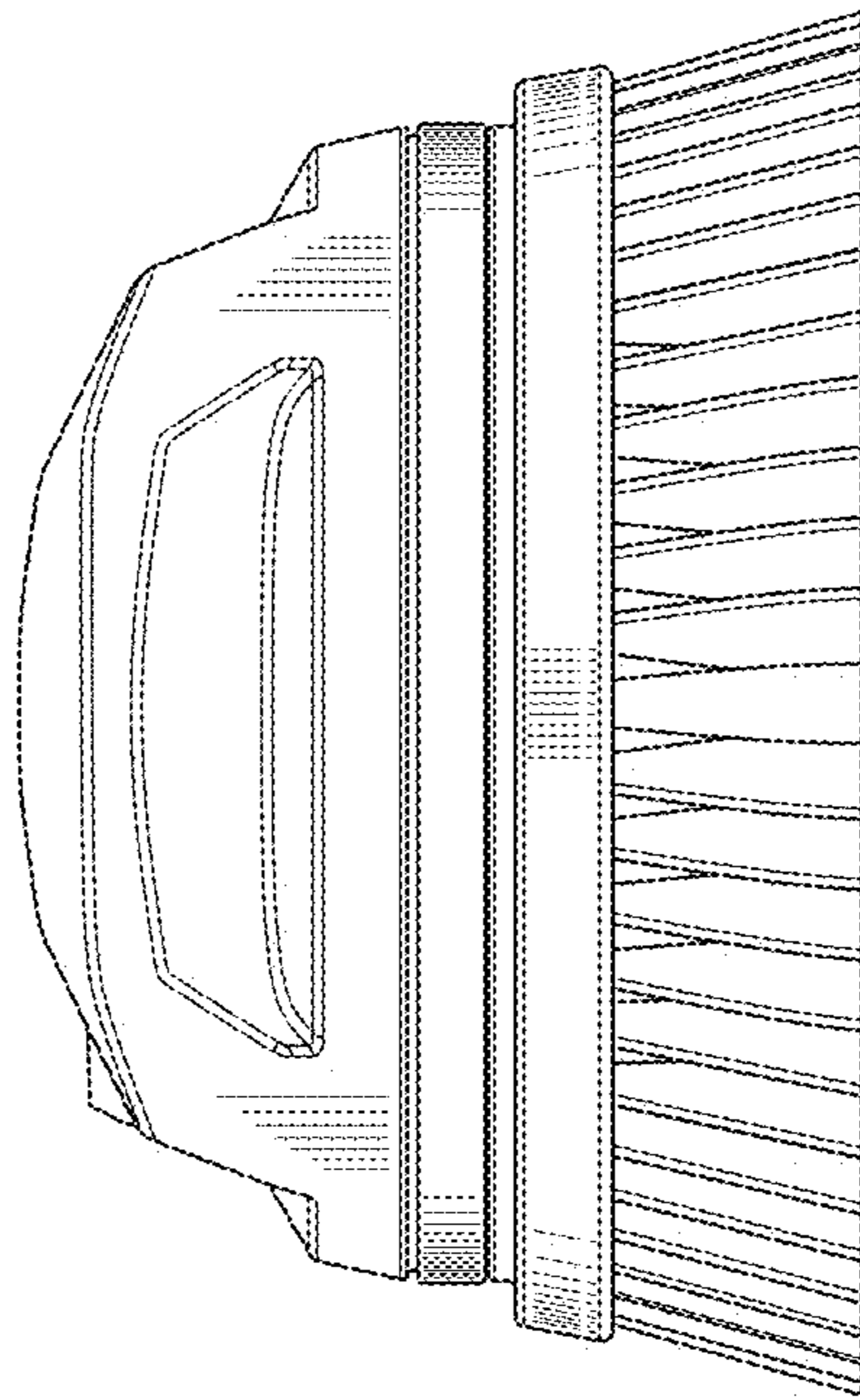


FIG. 8